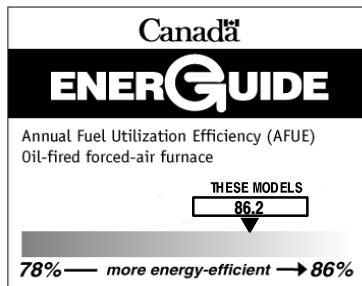


Representative only, some models may vary in appearance.

### UPFLOW AND HORIZONTAL

#### FEATURES

- **Fan Control Switch** – for continuous fan operation
- **Large external front clean out** – for easy cleaning
- **Clean out** – sealed from blower compartment (no soot to spread)
- **Easy Access** – control panel
- **View Port**
- **Furnaces** – are available with your choice of high efficiency burners. (Burners ordered and shipped separately)
- **“Easy Access” heat exchanger** – manufactured from heavy gauge steel
- **Multi-Speed Direct Drive Motors** – permanently lubricated for long life performance
- **Heavy-duty insulated cabinet** – for quiet operation
- **Precision balanced blower** – ensures quiet, efficient air distribution
- **Raised cabinet base** – allows air to circulate under the cabinet. Eliminates dampness
- **Efficient** – Up to 86.2% AFUE
- **Approved** – Chimney Vent application
- **Air conditioning ready**
- **Front Flue (Breach)**



ONLY applies to applications in Canada where the furnace is installed in the conditioned space, per sections 5.35.1.2 and 4.7.1.1 of CSA standard B212 dated October 2000.

UPFLOW AND HORIZONTAL OIL FURNACE				
Model Number	Dimensions H x W x D† – in(mm)	Input (BTU/h)	Cooling capacity @ .5 in wc (125 Pa)	Shipping Wt. Lbs.(Kg.)
OTF210G21B	52¾ x 24¼ x 34 (1340 x 616 x 864)	168,000–210,000	5 Tons	250 (113)

† Depth is without the burner

## FURNACE SPECIFICATIONS

<b>Model:</b>	<b>OTF210</b>		
<b>Rating and Performance</b>			
Firing Rate	1.20	1.35	1.50
Input (BTUh)	168,000	189,000	210,000
Heating capacity, (BTUh)	142,000	158,000	175,000
Minimum--maximum Temperature Rise	18 - 29° C (65° - 85° F)		
<b>Beckett Burner, (3450 RPM) Chimney Installation</b>	AFG- F6 (tube insertion 2 <sup>7</sup> / <sub>8</sub> " )		
AFUE (from CSA B212 standard and Canadian regulations)**	84.3	83.6	82.9
AFUE (from ASHRAE 103 standard and US regulations)	84.7	83.8	83.4
Low firing rate baffle	No		
Static disc model	2 <sup>3</sup> / <sub>4</sub> #3383		
Nozzle (Delavan)	1.00-70W	1.10-70W	1.25-70W
Pump pressure (PSIG)	145	150	145
Combustion air adjustment (band/shutter)	0 / 6	1 / 3	1 / 5
<b>Riello Burner, Model 40 Chimney Installation</b>	F5 (tube insertion 3 <sup>9</sup> / <sub>16</sub> " )		
AFUE (from CSA B212 standard and Canadian regulations)**	86.2‡	85.3‡	84.7
AFUE (from ASHRAE 103 standard and US regulations)	84.7	83.8	83.4
Nozzle (Delavan)	1.00-70W	1.10-70W	1.25-70W
Pump pressure (PSIG)	145	150	145
Combustion air adjustment (turbulator/damper)	0 / 3	1 / 3.25	4 / 4
<b>Electrical System</b>			
Volts -- Hertz -- Phase	115-60-1		
Operating voltage range	104 - 132		
Rated current (AMP)	15.7		
Minimum ampacity for wire sizing	18.1		
Max. fuse size (AMPs.)	20.0		

NOTE: AFUE value established after minimum 20 hours of continuous operation in the upflow position.

\*\* Applies to applications in Canada where the furnace is installed in the conditioned space, per sections 5.35.1.2 and 4.7.1.1 of CSA standard B212 dated October 2000.

‡ Meets EnergyStar guidelines in Canada (Only specific firing rates meet the ENERGY STAR® guidelines).

## BLOWER DATA

<b>Model:</b>	<b>OTF210</b>		
Blower speed @ 0.25 in wc (62 Pa) static pressure	Med-High	High	High
Blower speed @ 0.50 in wc (125 Pa) static pressure	High	High	High
Motor (HP) / number of speeds	3/4 HP / 4 speeds		
Blower wheel size - in.(mm)	12 x 10 (305 x 254)		
Filter quantity and size - in.(mm)	(1) 20 x 30 (508 x 762)		
Supply air duct W x H - in.(mm)	22" x 30" (508 x 762)		
Return air duct W x H - in.(mm)	18" x 28" (457 x 711)		
Maximum air conditioning capacity	5 tons		
Weight Lbs.(Kg.)	250 (113)		

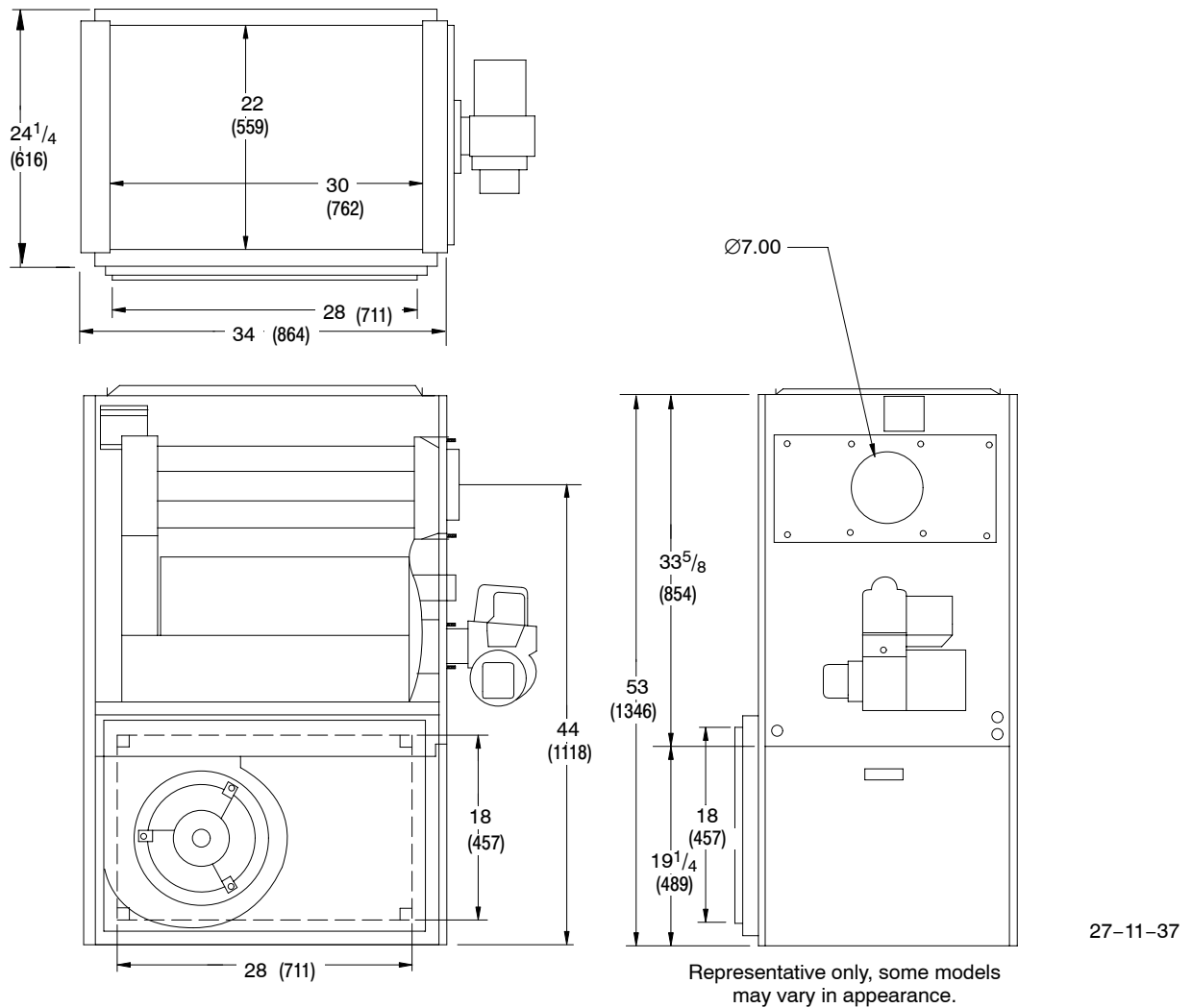
## BLOWER PERFORMANCE DATA

<b>Model:</b>	<b>OTF210</b>	
<b>Speed</b>	<b>Air Delivery - with Air Filter External Static Pressure</b>	
	<b>.25 in wc (62 Pa)</b>	<b>.50 in wc (125 Pa)</b>
	<b>CFM (L/s)</b>	<b>CFM (L/s)</b>
Med-High	2,200 (1038)	N/A
High	2,300(1085)	2,150 (1015)

## NEW MODEL NUMBER IDENTIFICATION GUIDE

<b>MODEL NUMBER</b>	<b>O</b>	<b>T</b>	<b>F</b>	<b>210</b>	<b>G</b>	<b>21</b>	<b>#</b>
<b>FUEL</b> O = Oil							<b>REVISION</b>
<b>PRODUCT GROUP</b> U = Upflow H = Horizontal T= Upflow/Horizontal L= Lowboy	D = Downflow C = Downflow/Horizontal M = Multiposition						<b>AIR FLOW</b> 21 = 2100 CFM
<b>SERIES</b> F = Front Breech	R = Rear Breech						<b>SUPPLY PLENUM SIZE</b> A = 20 x 20 B = 24 x 24 C = 21 <sup>1</sup> / <sub>8</sub> x 21 <sup>1</sup> / <sub>2</sub> G = 22 x 30
							<b>INPUT, MBTUH</b>

## DIMENSIONS – in(mm)



27-11-37

Representative only, some models may vary in appearance.

Minimum Installation Clearances from Combustible Materials			
LOCATION	APPLICATION – ft(m)	OTF210	
		Upflow – in(mm)	Horizontal – in(mm)
Sides	Furnace	2" (50.8)	2" (50.8)
	Supply Plenum within 6' (1.8 m) of furnace	1" (25.4)	1" (25.4)
Back	Furnace	2" (50.8)	2" (50.8)
Top	Furnace or plenum	1" (25.4)	3" (76)
	Horizontal warm air duct within 6' (1.8 m) of Furnace	1" (25.4)	3" (76)
Bottom	Furnace	0"	*0"
Flue Pipe	Horizontally or below flue pipe	9" (229)	9" (229)
	Vertically above flue pipe	9" (229)	9" (229)
Front	Furnace	24" (610)	24" (610)
			*When used with HFB-101

### ACCESSORY DESCRIPTION

Model No	Description
N03G012	Nozzle, Oil Burner, Delavan, 1.00 GPH/70° W
N03G013	Nozzle, Oil Burner, Delavan, 1.10 GPH/70° W
N03G024	Nozzle, Oil Burner, Delavan, 1.25 GPH/70° W
N01J045	Beckett AFG-F6 Oil Burner (Shipped with Nozzle 1.25 – 70° W)
N01F040	Riello 40-F5 Oil Burner (Shipped with Nozzle 1.25 – 70° W)
HFB-101	Horizontal Floor Base

International Comfort Products, LLC  
 Lewisburg, TN 37091  
 www.GoComfortmaker.com  
 Specifications subject to change without notice.