

Parts List, Tech Labels & Wiring Diagrams for CHE075 & CHE090 Series

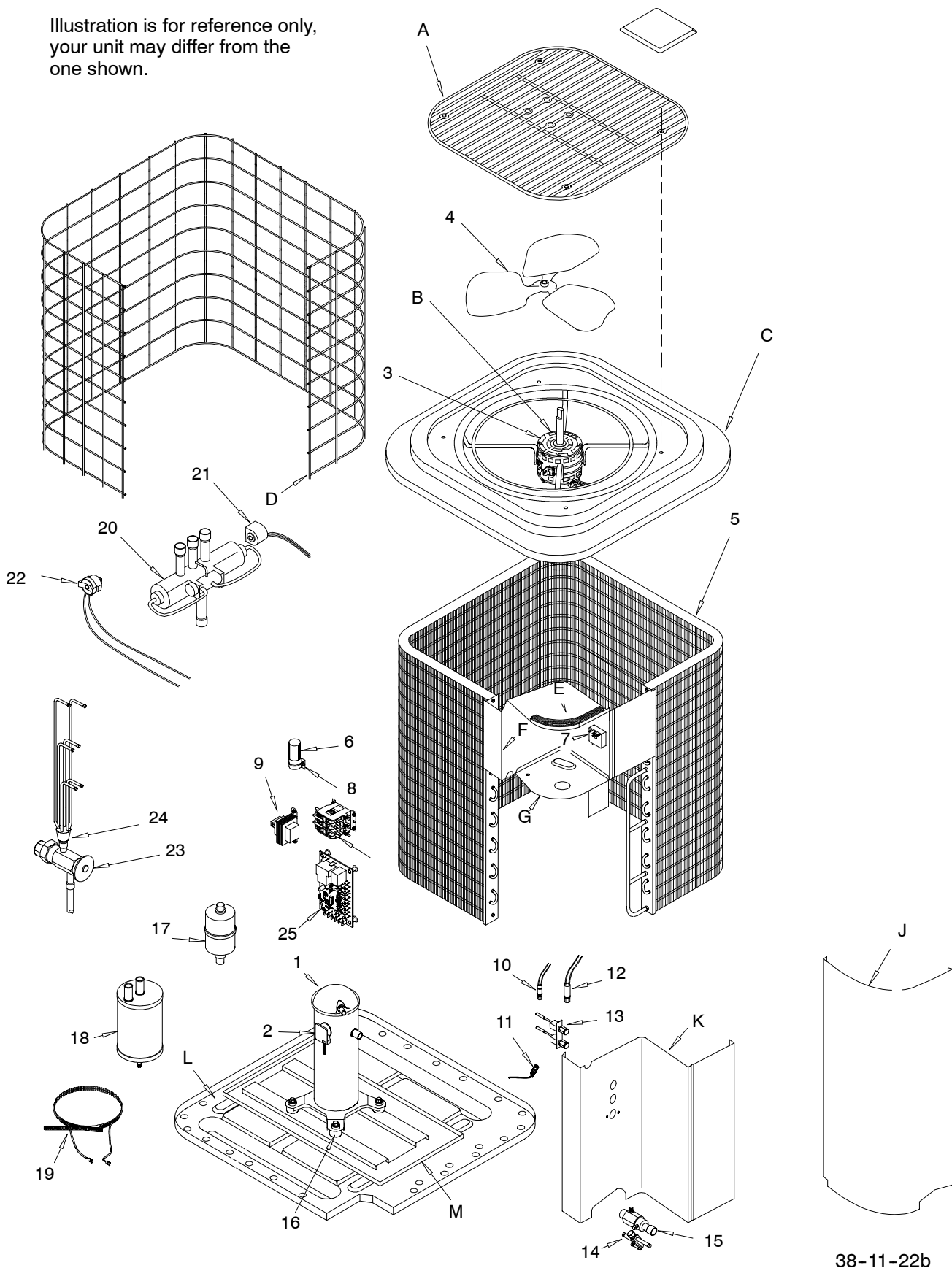
KEY NO.	DESCRIPTION	PART NUMBER												
			CHE075HBA	CHE075GHBA	CHE075LBA	CHE075GLBA	CHE075SBA	CHE075GSBA	CHE090HBA	CHE090GHBA	CHE090LBA	CHE090GLBA		
1	Compressor	1172107	1	1										
1		1172108	-	-	1	1								
1		1172106	-	-	-	-	1	1						
1		ZR84KCTF5250	-	-	-	-	-	-	1	1				
1		ZR84KCTFD250	-	-	-	-	-	-	-	-	1	1		
2	Plug, Compressor Harness	1113587	1	1										
2		1113588	-	-	1	1	1	1						
2	Harness Asy, Compressor	1110743	-	-	-	-	-	-	1	1	-	-		
2		1096704	-	-	-	-	-	-	-	-	1	1		
3	Motor, Fan	1099697	1	1	-	-	-	-	1	1				
3		1099698	-	-	1	1	-	-	-	-	1	1		
3		1098103	-	-	-	-	1	1	-	-	-	-		
4	Fan	1110790	1	1	1	1	1	1	1	1	1	1	1	1
5	Condenser	1113790	1	1	1	1	1	1						
5		1110514	-	-	-	-	-	-	1	1	1	1	1	1
6	Capacitor, 370 Volts 12.5 Mfd	1172087	1	1	1	1	-	-	1	1	1	1	1	1
6	440 Volts 10 Mfd	1172089	-	-	-	-	1	1						
7	Relay	92840	1	1	2	2	2	2	1	1	2	2		
8	Contact, 30 Amp 3 Poles	1114066	1	1	1	1	1	1	-	-	1	1		
8	40 Amp 3 Poles	1113792	-	-	-	-	-	-	1	1				
9	Transformer, 230 Volt Pri, 24 Volt Sec, 65 VA	1054637	1	1	-	-	-	-	1	1				
9	460/575 Volt Pri, 24 Volt Sec, 65 VA	1054638	-	-	1	1	1	1	-	-	1	1		
10	Switch, High Pressure	1096251	1	1	1	1	1	1	1	1	1	1	1	1
11	Switch, Low Pressure	1096252	1	1	1	1	1	1	1	1	1	1	1	1
12	Switch, Low Ambient	1098775	1	1	1	1	1	1	1	1	1	1	1	1
13	Port Valve Assembly	1098776	1	1	1	1	1	1						
13		1113128	-	-	-	-	-	-	1	1	1	1	1	1
14	Valve, Ball, Service Liquid	1113243	1	1	1	1	1	1	1	1	1	1	1	1
15	Valve, Ball, Service Suction	1086808	1	1	1	1	1	1	1	1	1	1	1	1
)	Cap, Ball Valve	1087042	2	2	2	2	2	2	2	2	2	2	2	2
16	Grommet, Compressor	1052060	4	4	4	4	4	4						
16		79608	-	-	-	-	-	-	4	4	4	4	4	4
17	Drier, Filter	1072553	1	1	1	1	1	1	1	1	1	1	1	1
18	Accumulator	1110686	1	1	1	1	1	1	1	1	1	1	1	1
19	Heater, Crankcase 230 Volt 70 Watts	1097444	1	1										
19	460 Volts 70 Watts	1097486	-	-	1	1								
19	575 Volts 70 Watts	1097487	-	-	-	-	1	1						
19	240 Volts 90 Watts	1111111	-	-	-	-	-	-	1	1				
19	480 Volts 90 Watts	1111112	-	-	-	-	-	-	-	-	1	1		
20	Valve, Reversing	1114005	1	1	1	1	1	1	1	1	1	1	1	1
21	Coil, Reversing Valve 24 Volts	34329055	1	1	1	1	1	1	1	1	1	1	1	1
)	Harness, Reversing Valve Coil	1066711	1	1	1	1	1	1	1	1	1	1	1	1
22	Sensor, Defrost	1082738	1	1	1	1	1	1	1	1	1	1	1	1
23	Valve, TXV	1113784	1	1	1	1	1	1						
23		1110728	-	-	-	-	-	-	1	1	1	1	1	1
24	Distributor	1113785	1	1	1	1	1	1						
24		1110727	-	-	-	-	-	-	1	1	1	1	1	1
25	Control, Defrost	1087952	1	1	1	1	1	1	1	1	1	1	1	1
)	Tank, Compensator	1110687	1	1	1	1	1	1	1	1	1	1	1	1
)	Muffler	1110692	-	-	-	-	-	-	1	1	1	1	1	1

Parts List, Tech Labels & Wiring Diagrams for CHE075 & CHE090 Series

KEY NO.	DESCRIPTION	PART NUMBER	CHE075HBA	CHE075GHBA	CHE075LBA	CHE075GLBA	CHE075SBA	CHE075GSBA	CHE090HBA	CHE090GHBA	CHE090LBA	CHE090GLBA
A	Grille, Discharge	1086062	1	1	1	1	1	1	1	1	1	1
B	Mount, Fan Motor	1070016	1	1	1	1	1	1	1	1	1	1
C	Panel, Top	1086334	1	1	1	1	1	1	1	1	1	1
D	Grille, Inlet	1086290	1	-	1	-	1					
D		1087186	-	1	-	1	-	1				
D		1086332	-	-	-	-	-	-	1	-	1	
D		1087187	-	-	-	-	-	-	-	1	-	1
E	Top, Control Box	1086045	1	1	1	1	1	1	1	1	1	1
F	Box, Control	1113651	1	1	-	-	-	-	1	1		
F		1113678	-	-	1	1	1	1	-	-	1	1
G	Bottom, Control Box	1086041	1	1	1	1	1	1	1	1	1	1
H	Clamp, Capacitor	1095022	1	1	1	1	1	1	1	1	1	1
J	Cover, Control Box	1087541	1	1	1	1	1	1	1	1	1	1
K	Panel, Corner	1087538	1	1	1	1	1	1				
K		1087540	-	-	-	-	-	-	1	1	1	1
L	Panel, Base	1086060	1	1	1	1	1	1	1	1	1	1
M	Plate, Support	1111152	1	1	1	1	1	1	1	1	1	1
)	Lug, Ground	500920	1	1	1	1	1	1	1	1	1	1
)	Nut, Hex 10-32	1086356	4	4	4	4	4	4	4	4	4	4
)	Manual, Parts List	50604180200	1	1	1	1	1	1	1	1	1	1
)	Manual, Installation	50601120500	1	1	1	1	1	1	1	1	1	1

Parts List, Tech Labels & Wiring Diagrams for CHE075 & CHE090 Series

Illustration is for reference only,
your unit may differ from the
one shown.



38-11-22b

Parts List, Tech Labels & Wiring Diagrams for CHE075 & CHE090 Series

Style No:	CHE090H		Outdoor Ambient Temperature - Degrees F. Dry Bulb																			
			75				85				95				105				115			
			Entering Indoor Temperature - Degrees F. Wet Bulb																			
IDB		59	63	67	71	59	63	67	71	59	63	67	71	59	63	67	71	59	63	67	71	
Voltage-Ph	208/230																					
Total Amp	30.7																					
Ampacity	37.2																					
Min. Fuse	45																					
Delay Fuse	n/a																					
Max. Fuse	60																					
Compressor	Scroll																					
RLA	25.6/4																					
LRA	196																					
Cap MFD/V	n/a																					
CC Heater	n/a																					
Start Kit	n/a																					
Fan Motor	V230-Ph1																					
Horsepower	3/4																					
FLA	5.1																					
LRA	10.3																					
RPM	1100																					
Cap MFD/V	12.5/370																					
PTCR	n/a																					
Hi Press	420-300																					
Low Press	20 - 5																					
Low Amb	250-100																					
Defrost	36 - 51																					
Sensor																						
Operating Chg (25 Ft Line)*	See Rating Plate																					
Service Driers																						
Liquid/Chg	5Culn/5oz																					
Suction	17SqIn																					
Heating																						
IDB		Outdoor Ambient Temperature - Degrees F. Dry Bulb																				
		65	60	55	50	47	45	40	35	30	25	20	17	15	10	5	0	-5	-10			
	MBh	105.8	100.2	94.4	88.2	84.2	81.6	75.8	69.9	69.8	64.4	59.3	56.0	53.9	48.4	42.9	37.4	31.9	26.2			
	T/R	30.6	29.0	27.3	25.5	24.4	23.6	21.9	20.2	20.2	18.6	17.2	16.2	15.6	14.0	12.4	10.8	9.2	7.6			
	KW	8.1	8.0	7.8	7.6	7.6	7.5	7.3	7.2	7.2	7.0	6.9	6.8	6.7	6.5	6.4	6.2	6.1	5.9			
	AMPS	29.8	27.7	26.0	24.5	23.6	23.2	21.9	20.8	19.9	19.1	18.2	17.8	17.6	16.7	15.6	14.8	13.7	12.4			
	COP	3.8	3.7	3.5	3.4	3.3	3.2	3.0	2.8	2.9	2.7	2.5	2.4	2.4	2.2	2.0	1.8	1.5	1.3			
	EER	13.1	12.6	12.1	11.5	11.1	10.9	10.3	9.7	9.7	9.2	8.7	8.3	8.1	7.4	6.7	6.0	5.3	4.4			
	HI PR	246.3	236.2	227.1	217.1	212.0	208.0	199.9	191.9	183.8	175.5	168.5	164.5	161.5	155.4	149.5	143.3	138.2	133.3			
	LO PR	62.2	57.7	54.1	49.6	46.9	45.1	41.5	37.0	33.3	29.8	26.2	24.3	23.5	19.8	17.1	14.4	12.6	9.9			
Calculated averaged performance data, for service applications for all matches.																						

*Add or Subtract (Oz per Ft) for Lines: .25oz -1/4 Liq, .45oz- 5/16 Liq, .60oz - 3/8 Liq, 1.2 oz - 1/2 Liq

Part No:

1110534

Style No:	CHE090L		Outdoor Ambient Temperature - Degrees F. Dry Bulb																			
			75				85				95				105				115			
			Entering Indoor Temperature - Degrees F. Wet Bulb																			
IDB		59	63	67	71	59	63	67	71	59	63	67	71	59	63	67	71	59	63	67	71	
Voltage-Ph	460-3																					
Total Amp	15.4																					
Ampacity	18.6																					
Min. Fuse	25																					
Delay Fuse	n/a																					
Max. Fuse	30																					
Compressor	Scroll																					
RLA	12.8/2																					
LRA	100																					
Cap MFD/V	n/a																					
CC Heater	n/a																					
Start Kit	n/a																					
Fan Motor	V460-Ph1																					
Horsepower	3/4																					
FLA	2.57																					
LRA	5.33																					
RPM	1100																					
Cap MFD/V	12.5/370																					
PTCR	n/a																					
Hi Press	420-300																					
Low Press	20 - 5																					
Low Amb	250-100																					
Defrost	36 - 41																					
Sensor																						
Operating Chg (25 Ft Line)*	See Rating Plate																					
Service Driers																						
Liquid/Chg	5Culn/5oz																					
Suction	17SqIn																					
Heating																						
IDB		Outdoor Ambient Temperature - Degrees F. Dry Bulb																				
		65	60	55	50	47	45	40	35	30	25	20	17	15	10	5	0	-5	-10			
	MBh	105.8	100.2	94.4	88.2	84.2	81.6	75.8	69.9	69.8	64.4	59.3	56.0	53.9	48.4	42.9	37.4	31.9	26.2			
	T/R	30.6	29.0	27.3	25.5	24.4	23.6	21.9	20.2	20.2	18.6	17.2	16.2	15.6	14.0	12.4	10.8	9.2	7.6			
	KW	8.1	8.0	7.8	7.6	7.6	7.5	7.3	7.2	7.2	7.0	6.9	6.8	6.7	6.5	6.4	6.2	6.1	5.9			
	AMPS	15.0	13.9	13.0	12.3	11.9	11.6	11.0	10.5	10.0	9.6	9.2	8.9	8.8	8.4	7.9	7.4	6.9	6.2			
	COP	3.8	3.7	3.5	3.4	3.3	3.2	3.0	2.8	2.9	2.7	2.5	2.4	2.4	2.2	2.0	1.8	1.5	1.3			
	EER	13.1	12.6	12.1	11.5	11.1	10.9	10.3	9.7	9.7	9.2	8.7	8.3	8.1	7.4	6.7	6.0	5.3	4.4			
	HI PR	246.3	236.2	227.1	217.1	212.0	208.0	199.9	191.9	183.8	175.5	168.5	164.5	161.5	155.4	149.5	143.3	138.2	133.3			
	LO PR	62.2	57.7	54.1	49.6	46.9	45.1	41.5	37.0	33.3	29.8	26.2	24.3	23.5	19.8	17.1	14.4	12.6	9.9			
Calculated averaged performance data, for service applications for all matches.																						

*Add or Subtract (Oz per Ft) for Lines: .25oz -1/4 Liq, .45oz- 5/16 Liq, .60oz - 3/8 Liq, 1.2 oz - 1/2 Liq

Part No:

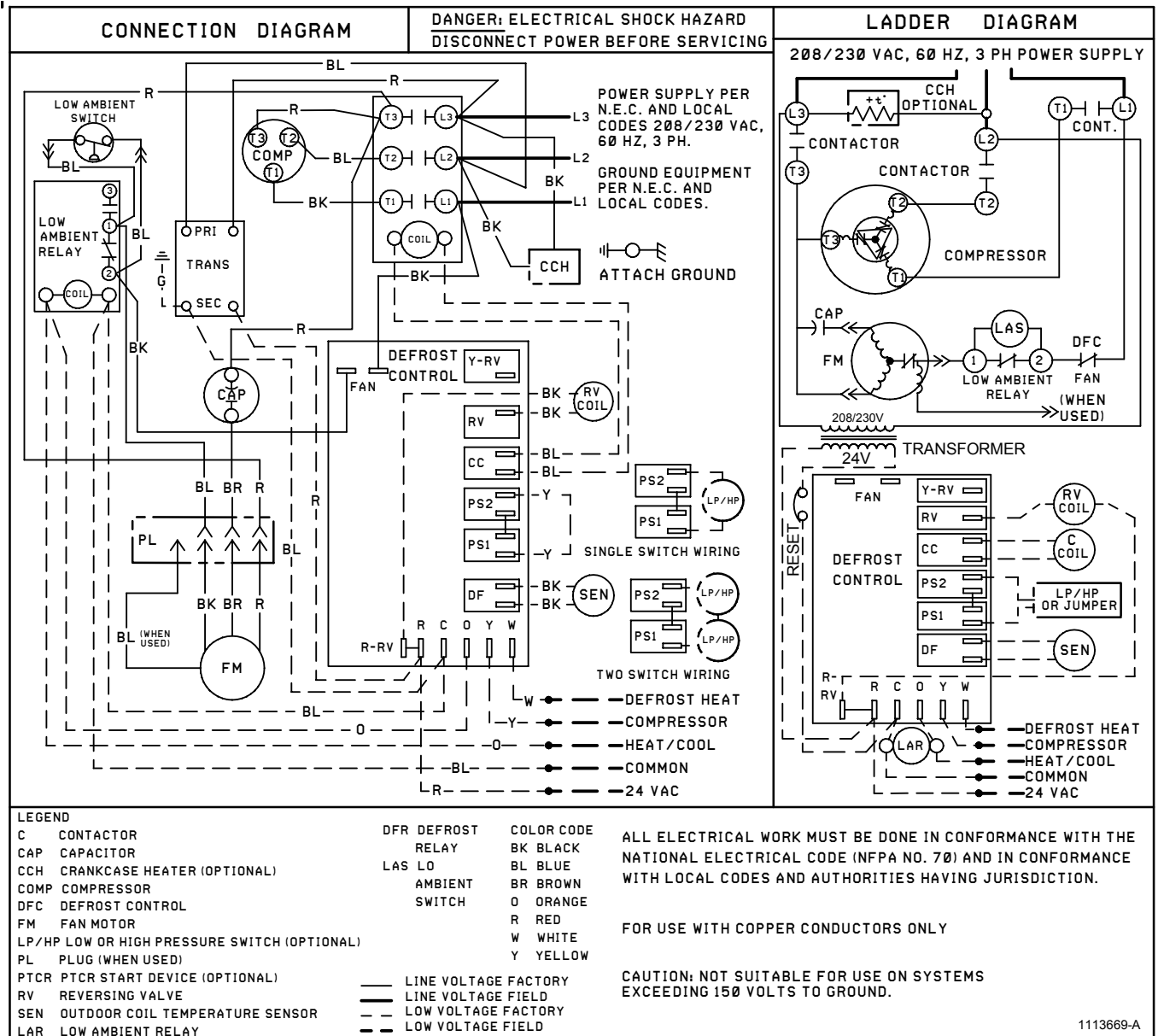
1110535

Parts List, Tech Labels & Wiring Diagrams for CHE075 & CHE090 Series

Style No:	CHE075H/HCE075H		Outdoor Ambient Temperature - Degrees F. Dry Bulb																				
			75				85				95				105				115				
			Entering Indoor Temperature - Degrees F. Wet Bulb																				
IDB		59	63	67	71	59	63	67	71	59	63	67	71	59	63	67	71	59	63	67	71		
Voltage-Ph	208/230																						
Total Amp	24																						
Ampacity	28.7																						
Min. Fuse	35																						
Delay Fuse	35																						
Max. Fuse	45																						
Compressor	Scroll	75	MBh	70.8	72.9	78.9	84.7	69.1	71.1	77.0	82.6	67.4	69.4	75.1	80.6	64.0	65.9	71.4	76.6	59.3	61.1	66.1	71.0
			S/T	0.8	0.8	0.6	0.4	0.9	0.8	0.6	0.4	0.9	0.8	0.6	0.4	0.9	0.8	0.6	0.4	0.9	0.8	0.6	0.4
			AMPS	17.4	17.5	18.3	19.0	18.8	19.2	19.8	20.5	20.0	20.5	21.1	21.9	21.2	21.7	22.4	23.2	22.4	22.9	23.7	24.5
			HI PR	155.4	167.2	176.5	184.1	176.7	190.1	200.8	209.4	201.2	216.6	228.7	238.5	226.4	243.6	257.3	268.3	250.2	269.2	284.3	296.5
RLA	18.9																						
LRA	146																						
Cap MFD/V	n/a																						
CC Heater	n/a																						
Start Kit	n/a																						
Fan Motor	V230-Ph1	80	MBh	72.0	73.6	78.6	84.1	70.3	71.9	76.8	82.1	68.6	70.1	74.9	80.1	65.2	66.6	71.2	76.1	60.4	61.7	65.9	70.5
			S/T	0.9	0.9	0.7	0.5	1.0	0.9	0.7	0.5	1.0	0.9	0.8	0.6	1.0	1.0	0.8	0.6	1.0	1.0	0.8	0.6
			AMPS	17.6	18.0	18.5	19.2	19.0	19.4	20.0	20.7	20.2	20.7	21.3	22.1	21.4	21.9	22.6	23.4	22.6	23.1	23.9	24.7
			HI PR	156.9	168.9	178.3	186.0	178.5	192.1	202.8	211.5	203.3	218.8	231.0	240.9	228.7	246.1	259.9	271.0	252.7	271.9	287.1	299.5
Cap MFD/V	12.5/370																						
PTCR	n/a	Heating	Outdoor Ambient Temperature - Degrees F. Dry Bulb																				
			IDB		65	60	55	50	47	45	40	35	30	25	20	17	15	10	5	0	-5	-10	
			MBh	89.1	84.4	79.5	74.2	70.9	68.7	63.8	58.8	58.9	54.4	50.1	47.3	45.5	40.9	36.2	31.6	27.0	22.1		
			T/R	29.5	27.9	26.3	24.5	23.4	22.7	21.1	19.5	19.5	18.0	16.6	15.6	15.1	13.5	12.0	10.4	8.9	7.3		
Sensor	See Rating Plate	70	KW	7.0	6.8	6.7	6.5	6.5	6.4	6.3	6.1	6.2	6.1	6.0	5.9	5.8	5.7	5.5	5.4	5.3	5.1		
			AMPS	24.9	23.1	21.7	20.5	19.8	19.4	18.4	17.5	16.8	16.1	15.4	15.1	14.9	14.2	13.3	12.6	11.7	10.7		
			COP	3.8	3.6	3.5	3.3	3.2	3.1	3.0	2.8	2.8	2.6	2.5	2.4	2.3	2.1	1.9	1.7	1.5	1.3		
			EER	12.8	12.4	11.9	11.3	11.0	10.7	10.2	9.6	9.5	8.9	8.4	8.1	7.8	7.2	6.5	5.9	5.1	4.3		
Service Driers	5Culn/5oz	70	HI PR	260.8	250.0	240.3	229.8	224.4	220.1	211.6	203.1	194.6	185.8	178.4	174.1	171.0	164.5	158.2	151.7	146.3	141.1		
			LO PR	68.2	63.3	59.3	54.4	51.4	49.4	45.5	40.5	36.5	32.6	28.7	26.7	25.7	21.7	18.8	15.8	13.8	10.8		
Liquid/Chg	5Culn/5oz																						
Suction	17SqIn																						
Calculated averaged performance data, for service applications for all matches.																							
																		Part No:		1110724			

Style No:	CHE075L/HCE075L		Outdoor Ambient Temperature - Degrees F. Dry Bulb																				
			75				85				95				105				115				
			Entering Indoor Temperature - Degrees F. Wet Bulb																				
IDB		59	63	67	71	59	63	67	71	59	63	67	71	59	63	67	71	59	63	67	71		
Voltage-Ph	460-3																						
Total Amp	12.1																						
Ampacity	14.5																						
Min. Fuse	20																						
Delay Fuse	20																						
Max. Fuse	20																						
Compressor	Scroll	75	MBh	70.8	72.9	78.9	84.7	69.1	71.1	77.0	82.6	67.4	69.4	75.1	80.6	64.0	65.9	71.4	76.6	59.3	61.1	66.1	71.0
			S/T	0.8	0.8	0.6	0.4	0.9	0.8	0.6	0.4	0.9	0.8	0.6	0.4	0.9	0.8	0.6	0.4	0.9	0.8	0.6	0.4
			AMPS	15.4	16.2	17.5	18.4	17.6	19.0	20.0	20.9	20.1	21.6	22.8	23.8	22.6	24.3	25.7	26.8	25.0	26.9	28.4	29.6
			HI PR	155.4	167.2	176.5	184.1	176.7	190.1	200.8	209.4	201.2	216.6	228.7	238.5	226.4	243.6	257.3	268.3	250.2	269.2	284.3	296.5
RLA	9.49																						
LRA	73																						
Cap MFD/V	n/a																						
CC Heater	n/a																						
Start Kit	n/a																						
Fan Motor	V460-Ph1	80	MBh	72.0	73.6	78.6	84.1	70.3	71.9	76.8	82.1	68.6	70.1	74.9	80.1	65.2	66.6	71.2	76.1	60.4	61.7	65.9	70.5
			S/T	0.9	0.9	0.7	0.5	1.0	0.9	0.7	0.5	1.0	0.9	0.8	0.6	1.0	1.0	0.8	0.6	1.0	1.0	0.8	0.6
			AMPS	8.8	9.0	9.3	9.6	9.5	9.7	10.0	10.4	10.1	10.4	10.7	11.1	10.8	11.0	11.4	11.8	11.4	11.6	12.0	12.4
			HI PR	156.9	168.9	178.3	186.0	178.5	192.1	202.8	211.5	203.3	218.8	231.0	240.9	228.7	246.1	259.9	271.0	252.7	271.9	287.1	299.5
Cap MFD/V	12.5/370																						
PTCR	n/a	Heating	Outdoor Ambient Temperature - Degrees F. Dry Bulb																				
			IDB		65	60	55	50	47	45	40	35	30	25	20	17	15	10	5	0	-5	-10	
			MBh	89.1	84.4	79.5	74.2	70.9	68.7	63.8	58.8	58.9	54.4	50.1	47.3	45.5	40.9	36.2	31.6	27.0	22.1		
			T/R	29.5	27.9	26.3	24.5	23.4	22.7	21.1	19.5	19.5	18.0	16.6	15.6	15.1	13.5	12.0	10.4	8.9	7.3		
Sensor	See Rating Plate	70	KW	7.0	6.8	6.7	6.5	6.5	6.4	6.3	6.1	6.2	6.1	6.0	5.9	5.8	5.7	5.5	5.4	5.3	5.1		
			AMPS	12.4	11.6	10.9	10.2	9.9	9.7	9.2	8.8	8.4	8.1	7.7	7.5	7.4	7.1	6.7	6.3	5.9	5.3		
			COP	3.8	3.6	3.5	3.3	3.2	3.1	3.0	2.8	2.8	2.6	2.5	2.4	2.3	2.1	1.9	1.7	1.5	1.3		
			EER	12.8	12.4	11.9	11.3	11.0	10.7	10.2	9.6	9.5	8.9	8.4	8.1	7.8	7.2	6.5	5.9	5.1	4.3		
Service Driers	5Culn/5oz	70	HI PR	260.8	250.0	240.3	229.8	224.4	220.1	211.6	203.1	194.6	185.8	178.4	174.1	171.0	164.5	158.2	151.7	146.3	141.1		
			LO PR	68.2	63.3	59.3	54.4	51.4	49.4	45.5	40.5	36.5	32.6	28.7	26.7	25.7	21.7	18.8	15.8	13.8	10.8		
Liquid/Chg	5Culn/5oz																						
Suction	17SqIn																						
Calculated averaged performance data, for service applications for all matches.																							
																		Part No:		1110725			

Parts List, Tech Labels & Wiring Diagrams for CHE075 & CHE090 Series 208/230 Volt Models



1113669-A

Parts List, Tech Labels & Wiring Diagrams for CHE075 & CHE090 Series

460 & 575 Volt Models

