

Parts List, Tech Labels & Wiring Diagrams for PAB & PAMD Series

Model Numbers: PAB036N2HA, PAB036N2LA, PAB036N2SD, PAB048N2HC, PAB048N2LC, PAB048N2SC, PAB060N2HC, PAB060N2LC, PAB060N2SC, PAMD36H000A, PAMD36F000A, PAMD36N000D, PAMD48H000A, PAMD48F000A, PAMD48N000A, PAMD60H000A, PAMD60F000A, PAMD60N000A

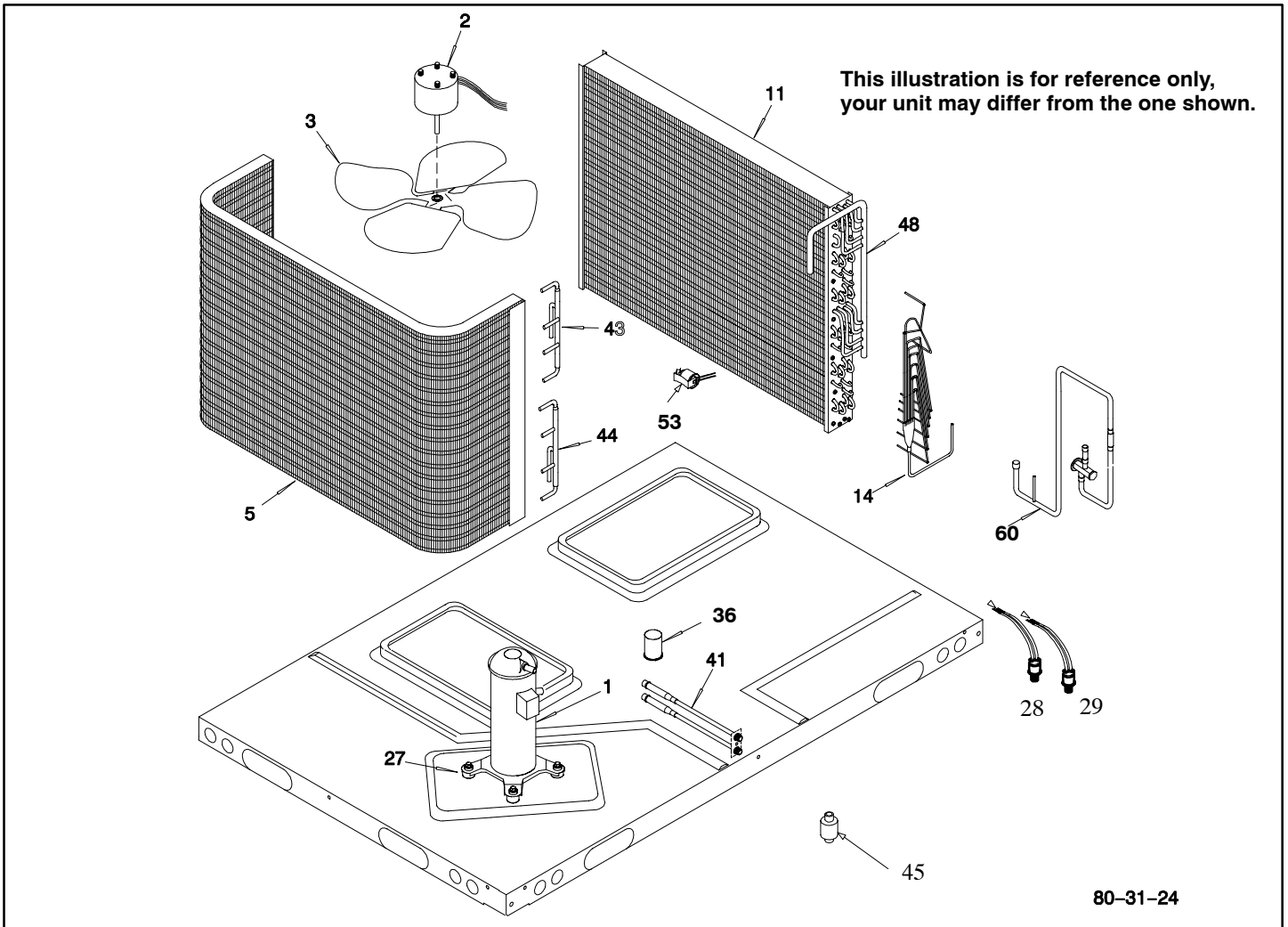
No.	Description	Part Number	PAB0								
			36N2HA	36N2LA	36N2SD	48N2HC	48N2LC	48N2SC	60N2HC	60N2LC	60N2SC
			PAMD								
			36H000A	36F000A	36N000D	48H000A	48F000A	48N000A	60H000A	60F000A	60N000A
1	Compressor, CR32K6TF5	1054609	1								
1	CR32K6TFD	1065350	*	1							
1	ZR34K3TFE	1098757	*	*	1						
1	ZR45KCTF5	1082647	*	*	*	1					
1	ZR45KCTFD	1082648	*	*	*	*	1				
1	ZR45KCTFE	1081432	*	*	*	*	*	1			
1	ZR61KCTF5	1069413	*	*	*	*	*	*	1		
1	ZR61KCTFD	1069414	*	*	*	*	*	*	*	1	
1	ZR61KCTFE	1097118	*	*	*	*	*	*	*	*	1
2	Motor, Condenser 3/4 HP, 230V	1065751	1			1			1		
2	3/4 HP, 460V	1054575	*	1			1			1	
2	3/4 HP, 575V	1098503	*	*	1			1			1
3	Fan Blade	1080791	1	1	1						
3		1080792	*	*	*	1	1	1	1	1	1
5	Coil, Condenser	1065064	1	1	1						
5		1082448	*	*	*	1	1	1	1	1	1
8	Motor, Blower 3/4 HP, 230 Volt	1065276	1								
8	3/4 HP, 460 Volt	1065853	*	1							
8	3/4 HP, 575 Volt	1054580	*	*	1			1			
8	3/4 HP, 230 Volt	1054589	*	*	*	1					
8	3/4 HP, 460 Volt	1065854	*	*	*	*	1				
8	1 HP, 230 Volt	1054590	*	*	*	*	*	*	1		
8	1 HP, 460 Volt	1065855	*	*	*	*	*	*	*	1	
8	1 HP, 575 Volt	1065277	*	*	*	*	*	*	*	*	1
9	Wheel, Blower	1054596	1	1	1	1	1	1	1	1	1
11	Coil, Evaporator	1065602	1	1	1						
11		1082451	*	*	*	1	1	1			
11		1082453	*	*	*	*	*	*	1	1	1
14	Tube, Capillary Asy	1065507	1	1	1						
14	Tube, Feeder Asy	1081492	*	*	*	1	1	1			
14		1081493	*	*	*	*	*	*	1	1	1
15	Transformer, 230V Pri, 24V Sec, 65 VA	1054637	1			1			1		
15	460V Pri, 24V Sec, 75 VA	1084001	*	1			1			1	
15	460/575V Pri, 24V Sec 65 VA	1054638	*	*	1			1			1
19	Lug, Ground	91590	1	1	1	1	1	1	1	1	1
20	Board, Terminal	1066159	1	1	1	1	1	1	1	1	1
24	Contact, 30 Amp., 3 Pole	1114066	1	1	1	1	1	1	1	1	1
27	Grommet, Compressor Mounting	1052060	4	4	4	4	4	4	4	4	4
28	Switch, Temperature	1098701	1	1	1	1	1	1	1	1	1
36	Capacitor, 10 Mfd., 440Volt (Cond Mtr)	1094965	1	1	1	1	1	1	1	1	1
41	Port Asy (Test)	1080745	1	1	1						
41		1083939	*	*	*	1	1	1	1	1	1
43	Manifold Condenser (Discharge)	1054555	1	1	1						
43		1081458	*	*	*	1	1	1	1	1	1
44	Manifold Condenser (Liquid)	1082421	*	*	*	1	1	1	1	1	1
45	Drier	713894	1	1	1	1	1	1	1	1	1

Parts List, Tech Labels & Wiring Diagrams for PAB & PAMD Series

No.	Description	Part Number	PAB0								
			36N2HA	36N2LA	36N2SD	48N2HC	48N2LC	48N2SC	60N2HC	60N2LC	60N2SC
			PAMD								
			36H000A	36F000A	36N000A	48H000D	48F000A	48N000A	60H000A	60F000A	60N000A
48	Manifold, Evaporator	1065616	1	1	1						
48		1081494	*	*	*	1	1	1			
48		1082409	*	*	*	*	*	*	1	1	1
53	Switch, Temperature	1066247	1	1	1	1	1	1	1	1	1
55	Filter, Air (20" X 30" X 2")	1054503	2	2	2	2	2	2	2	2	2
57	Contact, 30 Amp., 2 Pole	1054736	1	1	1	1	1	1	1	1	1
60	Flow Control	1082405	*	*	*	1	1	1			
60		1082406	*	*	*	*	*	*	1	1	1
A	Grille, Outlet	1072842	1	1	1	1	1	1	1	1	1
B	Panel, Top	1068157	1	1	1	1	1	1	1	1	1
C	Orifice, Condenser Fan	1065725	1	1	1	1	1	1	1	1	1
D	Housing, Blower	1065736	1	1	1	1	1	1	1	1	1
E	Deck, Blower	1065948	1	1	1	1	1	1	1	1	1
F	Panel, Access	1068181	1	1	1	1	1	1	1	1	1
G	Plate, Block Off	1066107	1	1	1	1	1	1	1	1	1
H	Panel, Division	1065943	1	1	1	1	1	1	1	1	1
J	Post, Electrical Corner	1068193	1	1	1	1	1	1	1	1	1
K	Bracket, Lo Vo Terminal Mtg	1066106	1	1	1	1	1	1	1	1	1
L	Plate, Conduit	1068179	1	1	1	1	1	1	1	1	1
M	Panel, Electrical Access	1068186	1	1	1	1	1	1	1	1	1
N	Panel, Pressure Port	1068164	1	1	1	1	1	1	1	1	1
N1	Panel, Compressor Access	1068176	1	1	1						
O	Plate, Pressure Port	1068189	1	1	1	1	1	1	1	1	1
R	Post, Condenser Corner	1068172	1	1	1	1	1	1	1	1	1
S1	Rail, Base	1065001	2	2	2	2	2	2	2	2	2
S2	Rail, Base	1054464	1	1	1	1	1	1	1	1	1
S3	Rail, Base	1084078	1	1	1	1	1	1	1	1	1
T	Panel, Base	1054463	1	1	1	1	1	1	1	1	1
U	Panel, Return Air	1068160	1	1	1	1	1	1	1	1	1
V	Partition, Return Air	1054471	1	1	1	1	1	1	1	1	1
X	Pan, Drain	1068366	1	1	1	1	1	1	1	1	1
Y	Bracket, Evap	1082436	1	1	1	1	1	1	1	1	1
Z	Panel, Supply Air	1068161	1	1	1	1	1	1	1	1	1
AA	Cover, Duct	1068158	2	2	2	2	2	2	2	2	2
CC	Bracket, Supply Air	1054525	1	1	1	1	1	1	1	1	1
FF	Baffle, Evap Blower	1054522	1	1	1	1	1	1	1	1	1
JJ	Nut, Cap	1067902	4	4	4	4	4	4	4	4	4
LL	Plate, Control	1066168	1	1	1	1	1	1	1	1	1
MM	Bracket, Filter Top	1065618	1	1	1	1	1	1	1	1	1
NN	Support, Filter Top	1054502	1	1	1	1	1	1	1	1	1
OO	Panel, Coil Support	1082434	1	1	1	1	1	1	1	1	1
PP	Panel, Heating Area	1054508	1	1	1	1	1	1	1	1	1
QQ	Baffle Coil	1082435	1	1	1	1	1	1	1	1	1
RR	Panel, Drain Outlet	1068162	1	1	1	1	1	1	1	1	1
SS	Panel, Filter Access	1068175	1	1	1	1	1	1	1	1	1
UU	Post, Return Air Corner	1068168	1	1	1	1	1	1	1	1	1
VV	Post, Center	1068163	1	1	1	1	1	1	1	1	1
XX	Panel, Blower Cutoff	1065073	1	1	1	1	1	1	1	1	1
YY	Bracket, Blower Support	1065030	1	1	1	1	1	1	1	1	1
ZZ	Handle, Filter Access	1068209	1	1	1	1	1	1	1	1	1
AB	Retainer, Filter	1054517	2	2	2	2	2	2	2	2	2

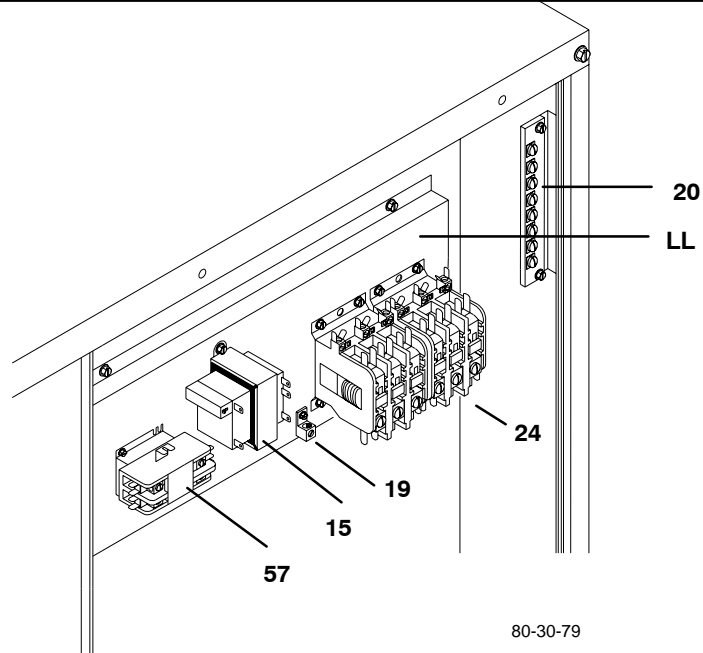
Parts List, Tech Labels & Wiring Diagrams for PAB & PAMD Series

No.	Description	Part Number	PAB0								
			36N2HA	36N2LA	36N2SD	48N2HC	48N2LC	48N2SC	60N2HC	60N2LC	60N2SC
			PAMD								
			36H000A	36F000A	36N000D	48H000A	48F000A	48N000A	60H000A	60F000A	60N000A
AF	Pulley, Motor	1065685	1	1					1	1	1
AF		520289	*	*	1						
AF		1054603	*	*	*	1	1	1			
AG	Key, Motor Pulley	1065663	1	1	1	1	1	1	1	1	1
AH	Belt	1054601	1	1	1						
AH		1065684	*	*	*	1	1	1	1	1	1
AJ	Pulley, Blower	1080378	1	1							
AJ		1080380	*	*	1				1	1	1
AJ		1080377	*	*	*	1	1	1			
AK	Key, Blower Pulley	1065660	1	1	1	1	1	1	1	1	1
AL	Bearing / Collar	1054577	2	2	2	2	2	2	2	2	2
AM	Mount, Bearing Support	1054599	2	2	2	2	2	2	2	2	2
AN	Screw, Adjusting	1065401	1	1	1	1	1	1	1	1	1
AO	Base, Motor Support	1054520	1	1	1	1	1	1	1	1	1
AP	Plate, Motor Slide	1054521	1	1	1	1	1	1	1	1	1
AQ	U-Clip	1054624	1	1	1	1	1	1	1	1	1
AR	Shaft, Blower	1054598	1	1	1	1	1	1	1	1	1
) (Manual, Parts List	51304100 5	1	1	1	1	1	1	1	1	1
) (Manual, installation	51301100 3	1	1	1	1	1	1	1	1	1

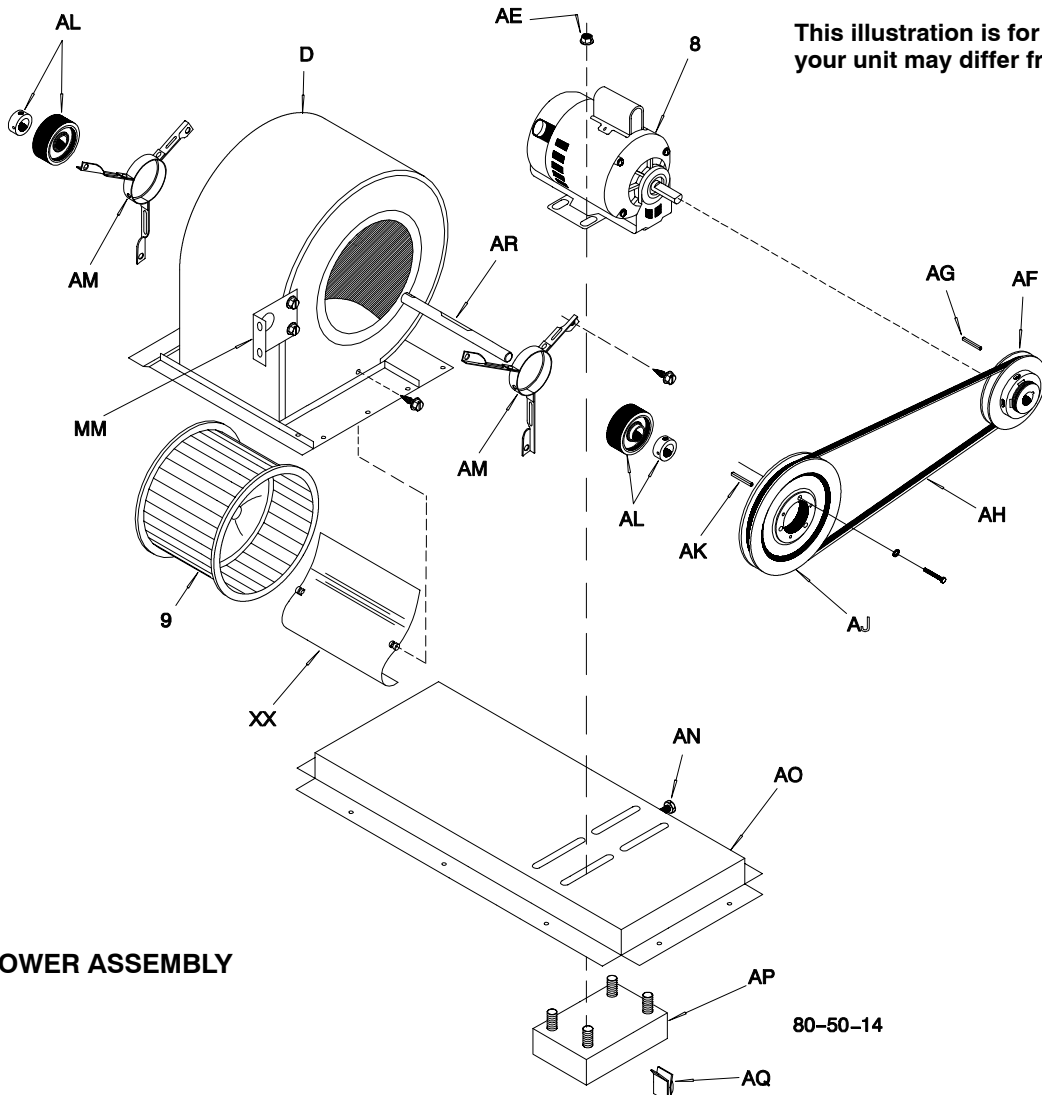


Parts List, Tech Labels & Wiring Diagrams for PAB & PAMD Series

CONTROL BOX



80-30-79



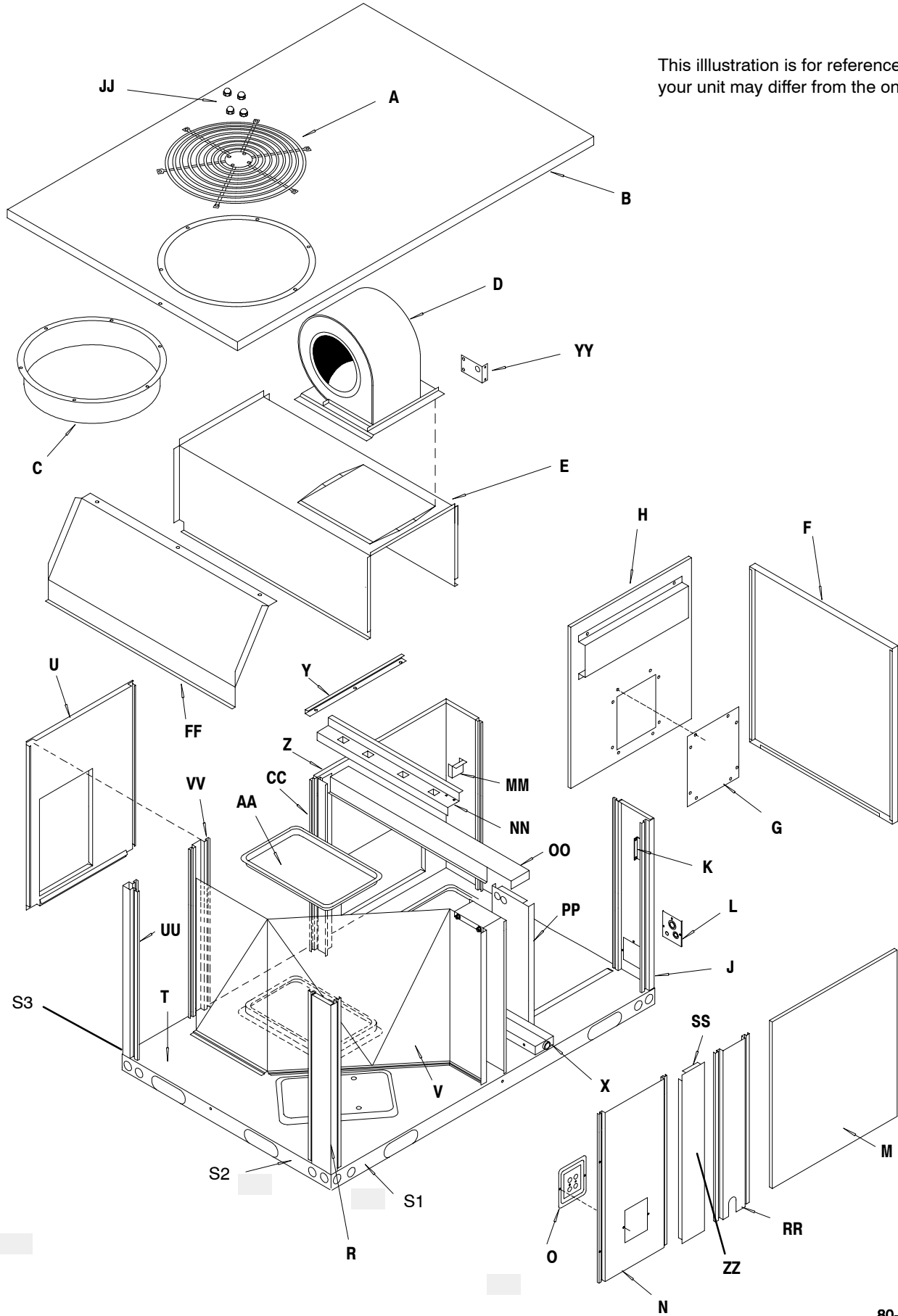
This illustration is for reference only,
your unit may differ from the one shown.

BLOWER ASSEMBLY

80-50-14

Parts List, Tech Labels & Wiring Diagrams for PAB & PAMD Series

This illustration is for reference only, your unit may differ from the one shown.



80-31-25

Parts List, Tech Labels & Wiring Diagrams for PAB & PAMD Series

Unit Size 3 Ton Belt Drive Package Air 208/230 Volt		Outdoor Ambient Temperature - Degrees F. Dry Bulb																			
		75				85				95				105				115			
		Entering Indoor Temperature - Degrees F. Wet Bulb																			
		59				63				67				71				75			
		59				63				67				71				75			
Voltage	208/230/3/60																				
Ampacity	19.7																				
Max. Fuse	25																				
Compressor																					
FLA	9.0																				
LRA	70																				
Cond & Evap																					
Type	Fan	Evap																			
Size.	22	11-11BD																			
Motor-Hp	.75	.75																			
FLA	2.6	5.8																			
LRA	9.52	23																			
RPM	1120	1140																			
Cap MFD/Volts	10/440	N/A																			
Hi Pressure	420																				
Lo Pressure	5																				
Time Delay	5 min.																				
R-22, oz.																					
Operating Chg.	104																				
EXTERNAL STATIC PRESSURE IN INCHES WATER COLUMN																					
Number of Turns	.2			.4			.6			.8			1.0								
	CFM	Watts	RPM	CFM	Watts	RPM	CFM	Watts	RPM	CFM	Watts	RPM	CFM	Watts	RPM	CFM	Watts	RPM			
0										1420	575	925									
1							1623	594	885	1264	509	891									
2							1453	521	848												
3				1599	520	807	1222	442	811												
4				1455	467	769	1032	393	772												
5	1804	467	727	1318	418	730															
Pulley Turns Open		0			1			2			3			4			5			Factory Setting Turns Open, .75 HP STD Pulley - 5 1097778 5-9-99	
RPM with .75																					
STD Pulley		915			883			846			809			771			732				

Unit Size 3 Ton Belt Package Air 460 Volt		Outdoor Ambient Temperature - Degrees F. Dry Bulb																			
		75				85				95				105				115			
		Entering Indoor Temperature - Degrees F. Wet Bulb																			
		59				63				67				71				75			
		59				63				67				71				75			
Voltage	460/3/60																				
Ampacity	8.6																				
Max. Fuse	15																				
Compressor																					
FLA	4.6																				
LRA	33																				
Cond & Evap																					
Type	Fan	Evap																			
Size.	22	11-11BD																			
Motor-Hp	.75	.75																			
FLA	1.4	1.4																			
LRA	5.04	5.5																			
RPM	1120	1140																			
Cap MFD/Volts	10/440	N/A																			
Hi Pressure	420																				
Lo Pressure	5																				
Time Delay	5 min.																				
R-22, oz.																					
Operating Chg.	104																				
EXTERNAL STATIC PRESSURE IN INCHES WATER COLUMN																					
Number of Turns	.2			.4			.6			.8			1.0								
	CFM	Watts	RPM	CFM	Watts	RPM	CFM	Watts	RPM	CFM	Watts	RPM	CFM	Watts	RPM	CFM	Watts	RPM			
0										1420	575	925									
1							1623	594	885	1264	509	891									
2							1453	521	848												
3				1599	520	807	1222	442	811												
4				1455	467	769	1032	393	772												
5	1804	467	727	1318	418	730															
Pulley Turns Open		0			1			2			3			4			5			Factory Setting Turns Open, .75 HP STD Pulley - 5 1097779 5-9-99	
RPM with .75																					
STD Pulley		915			883			846			809			771			732				

Parts List, Tech Labels & Wiring Diagrams for PAB & PAMD Series

Unit Size 5 Ton Belt Drive Package Air 575 Volt			Outdoor Ambient Temperature - Degrees F. Dry Bulb																																										
			75				85				95				105				115																										
			Entering Indoor Temperature - Degrees F. Wet Bulb																																										
			59				63				67				71				59				63				67				71														
Voltage	575/3/60		1st Stage IDB			70				75				80				85				90				95				100				105				110				115			
Ampacity	13.6																																												
Max. Fuse	20		Compressor			70				75				80				85				90				95				100				105				110				115			
FLA	8.6																																												
LRA	49		Cond & Evap			70				75				80				85				90				95				100				105				110				115			
Cond Type	Cond Fan	Evap Blower																																											
Size	22	11-11BD	Motor-Hp			70				75				80				85				90				95				100				105				110				115			
FLA	1.2	1.6																																											
LRA	3.9	6.6	RPM			70				75				80				85				90				95				100				105				110				115			
RPM	1120	1140																																											
Cap MFD/Volts	10/440	N/A	Hi Pressure			70				75				80				85				90				95				100				105				110				115			
Lo Pressure	420																																												
Time Delay	5 min.		R-22, oz.			70				75				80				85				90				95				100				105				110				115			
Operating Chg.	99																																												

EXTERNAL STATIC PRESSURE IN INCHES WATER COLUMN																
Number of Turns	.2			.4			.6			.8			1.0			
	CFM	Watts	RPM	CFM	Watts	RPM	CFM	Watts	RPM	CFM	Watts	RPM	CFM	Watts	RPM	
0							2312	1282	1179	2149	1195	1186	1974	1105	1193	
1							2211	1192	1147	2037	1106	1153	1837	1017	1158	
2				2248	1097	1087	2077	1021	1091	1879	940	1096				
3	2256	1019	1037	2096	950	1042	1912	880	1046							
4	2161	905	990	1991	843	993	1788	777	996							
5	2029	771	944	1848	712	946										

Pulley Turns Open	0	1	2	3	4	5
RPM with 1 HP						
STD Pulley	1175	1145	1090	1045	1000	950

1097786
5-9-99

Factory Setting Turns Open, 1.0 HP STD Pulley - 2.5

Parts List, Tech Labels & Wiring Diagrams for PAB & PAMD Series

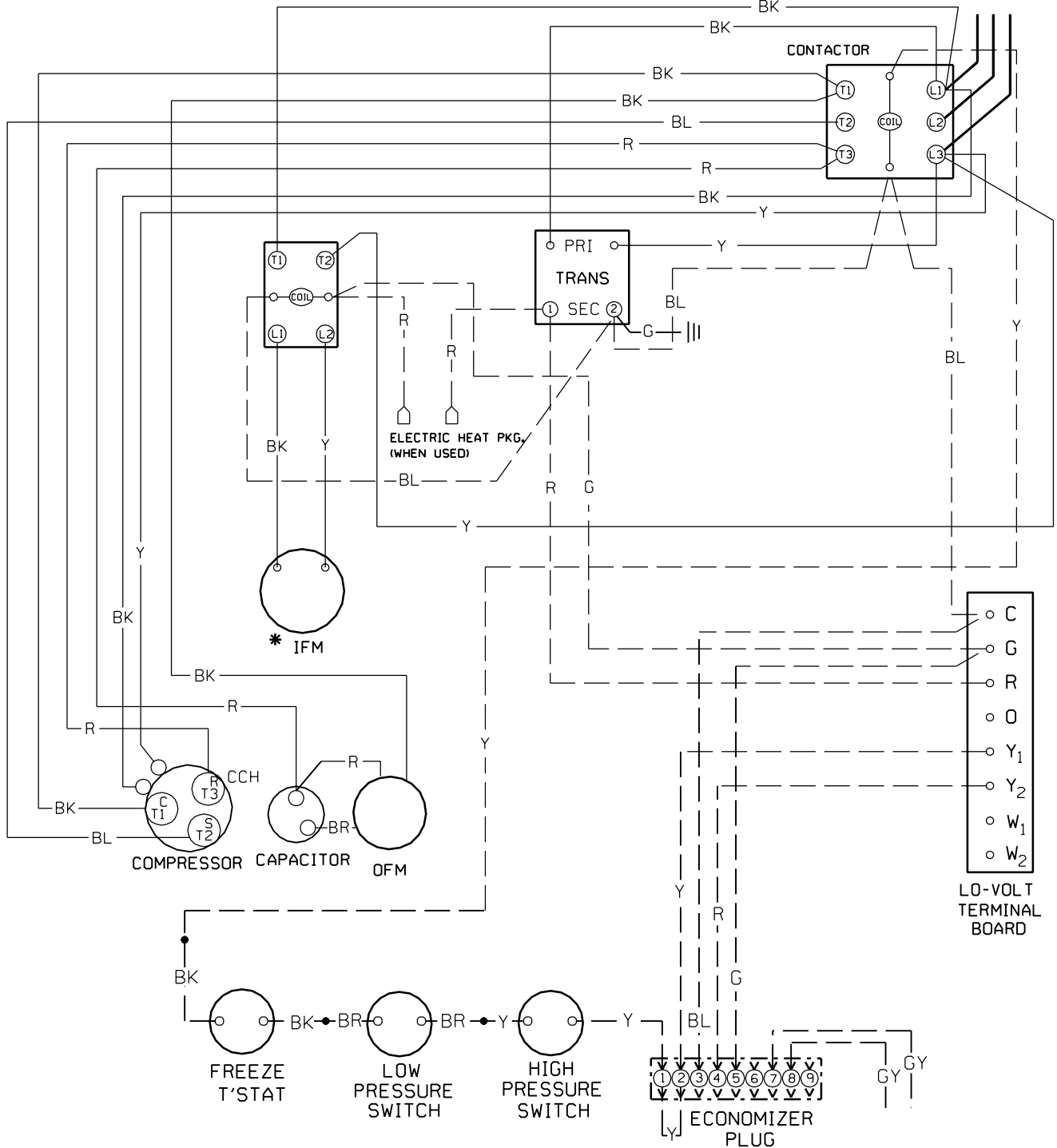
3 TON, 208/230 VOLT

CONNECTION WIRING DIAGRAM

DANGER: ELECTRICAL SHOCK HAZARD DISCONNECT POWER BEFORE SERVICING

USE COPPER CONDUCTORS ONLY

208/230V 60HZ 3PH



IF ANY OF THE ORIGINAL WIRE AS SUPPLIED WITH THE APPLIANCE MUST BE REPLACED, IT MUST BE REPLACED WITH TYPE AWM-105°C OR ITS EQUIVALENT.

* SEE INSTALLATION INSTRUCTIONS FOR PROPER HEATING AND COOLING CONNECTIONS FOR YOUR UNIT.

— LINE VOLTAGE FACTORY
 - - - LINE VOLTAGE FIELD
 - · - · - LOW VOLTAGE FACTORY
 - · - · - LOW VOLTAGE FIELD

COLOR CODE:	BLACK BK	GREEN G	WHITE W
	BLUE BL	ORANGE O	YELLOW Y
	BROWN BR	RED R	
	GRAY GY	VIOLET V	

LEGEND

CCH.....CRANKCASE HEATER
 T'STAT.....THERMOSTAT
 OFM.....OUTDOOR FAN MOTOR
 IFM.....INDOOR FAN MOTOR
 TRANS.....TRANSFORMER

1097768

Parts List, Tech Labels & Wiring Diagrams for PAB & PAMD Series

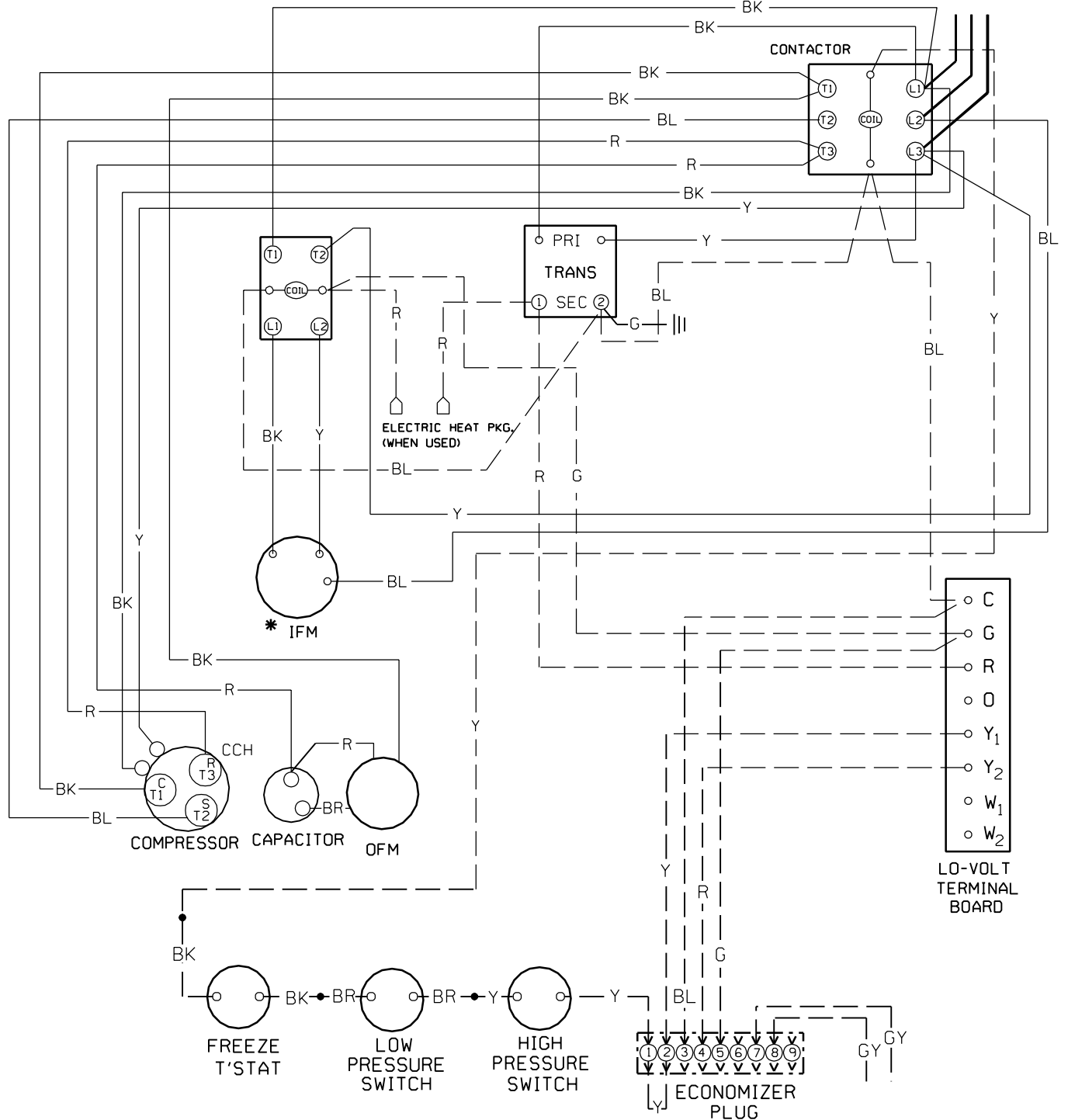
3 TON, 460 VOLT

CONNECTION WIRING DIAGRAM

DANGER: ELECTRICAL SHOCK HAZARD DISCONNECT POWER BEFORE SERVICING

USE COPPER CONDUCTORS ONLY

460V 60HZ 3PH



IF ANY OF THE ORIGINAL WIRE AS SUPPLIED WITH THE APPLIANCE MUST BE REPLACED, IT MUST BE REPLACED WITH TYPE AWM-105°C OR ITS EQUIVALENT.

* SEE INSTALLATION INSTRUCTIONS FOR PROPER HEATING AND COOLING CONNECTIONS FOR YOUR UNIT.

LEGEND

CCH....CRANKCASE HEATER
 T'STAT.....THERMOSTAT
 OFM.....OUTDOOR FAN MOTOR
 IFM.....INDOOR FAN MOTOR
 TRANS.....TRANSFORMER

— LINE VOLTAGE FACTORY	COLOR CODE:	BLACK BK	GREEN G	WHITE W
— LINE VOLTAGE FIELD		BLUE BL	ORANGE O	YELLOW Y
- - - LOW VOLTAGE FACTORY		BROWN BR	RED R	
- - - LOW VOLTAGE FIELD		GRAY GY	VIOLET V	

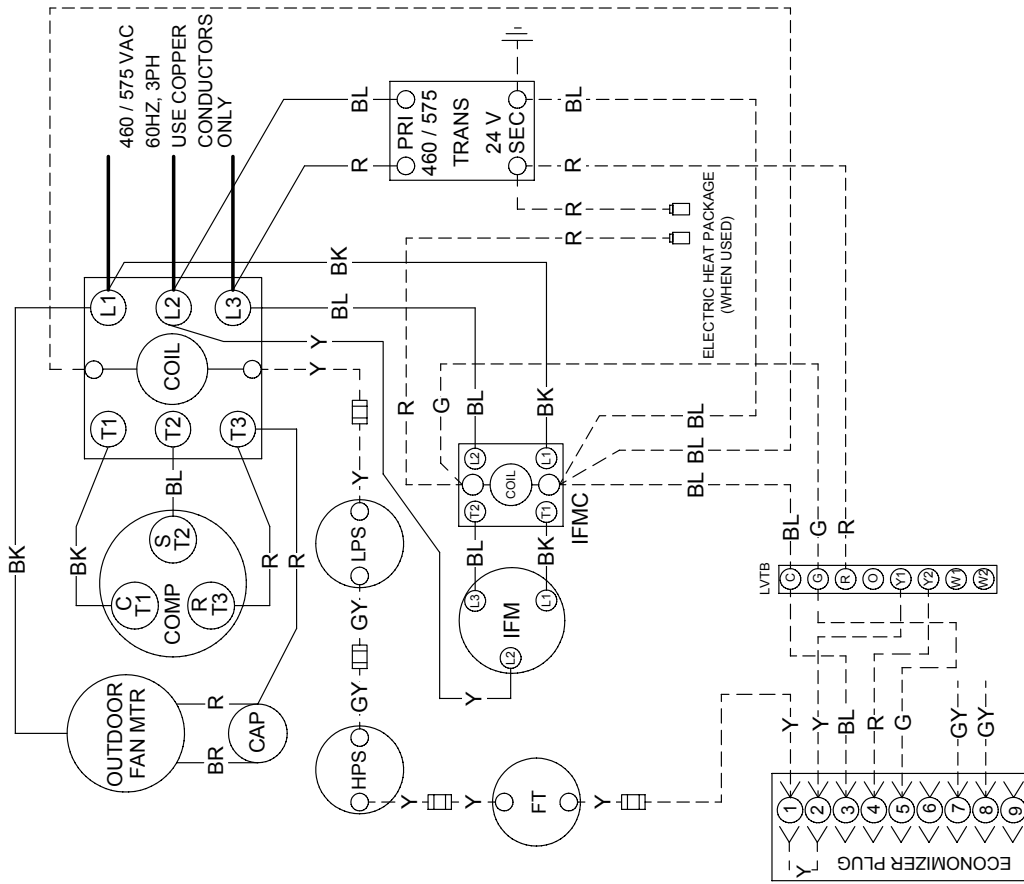
1097769

Parts List, Tech Labels & Wiring Diagrams for PAB & PAMD Series

3 TON, 575 VOLT

CONNECTION WIRING DIAGRAM

DANGER: ELECTRICAL SHOCK HAZARD DISCONNECT POWER BEFORE SERVICING

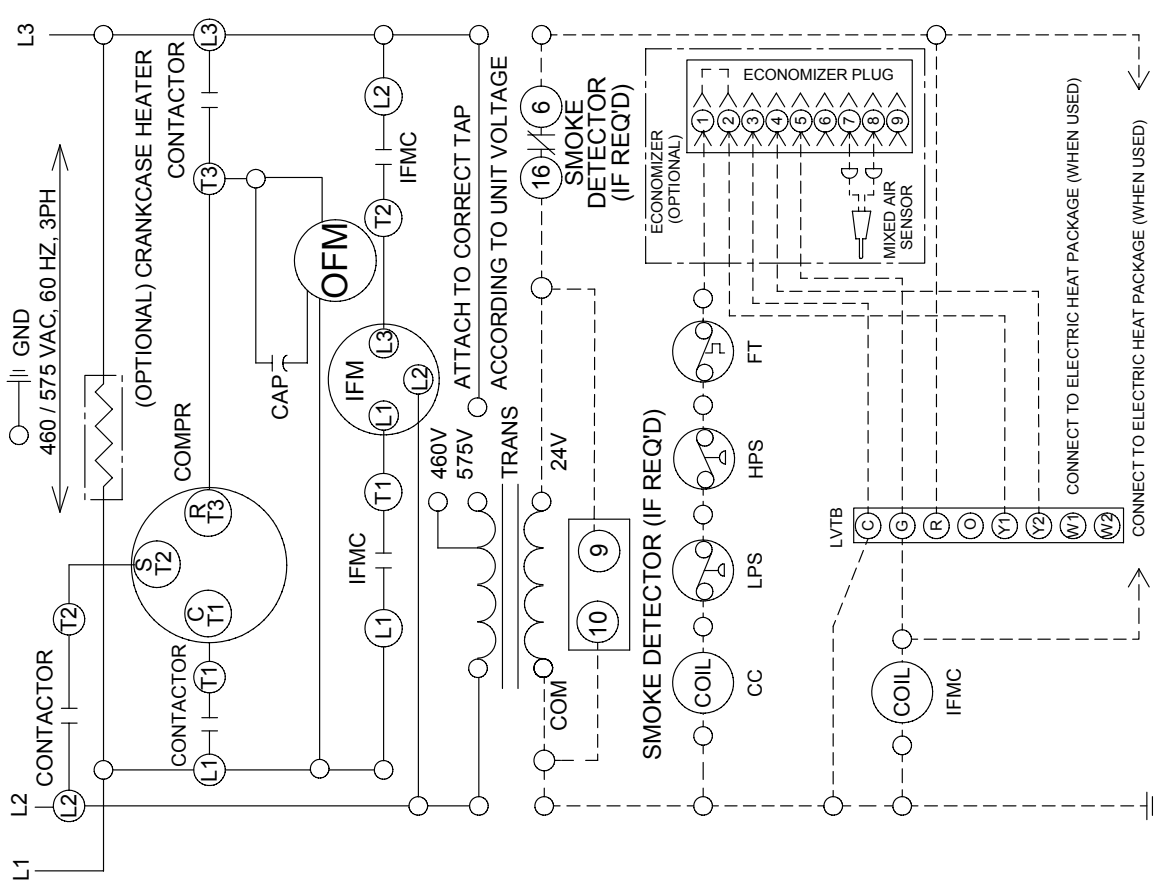


IF ANY OF THE ORIGINAL WIRE AS SUPPLIED WITH THE APPLIANCE MUST BE REPLACED. IT MUST BE REPLACED WITH TYPE AW M-105°C OR ITS EQUIVALENT.
 * SEE INSTALLATION INSTRUCTIONS FOR PROPER HEATING AND COOLING CONNECTIONS FOR YOUR UNIT.

LINE VOLTAGE FACTORY	BLACK	GREEN	G
---	BLUE	ORANGE	O
---	BROWN	RED	R
---	GRAY	WHITE	W
---	VIOLET	YELLOW	Y

LADDER WIRING DIAGRAM

DANGER: ELECTRICAL SHOCK HAZARD DISCONNECT POWER BEFORE SERVICING



TRANS.	TRANSFORMER	TRANSFORMER	TRANSFORMER
COMPR	COMPRESSOR	GND	GROUND
CAP	CAPACITOR	DFS	DEFROST SENSOR
FT	FAN TRANSFORMER BOARD	DFC	DEFROST CONTROL
CONT	CONTACTOR	ER	ECONOMIZER RELAY
JPR	JUMPER WIRE	HPS	HIGH PRESSURE SWITCH
FCC	FAN CONTACTOR COIL	TDR	TIME DELAY RELAY
LVTB	LOW VOLT TERM BOARD	CC	COMPRESSOR CONTACTOR COIL
IFMC	INDOOR FAN MOTOR CONTROL		
RVS	REVERSING VALVE SOLENOID		
OFM	OUTDOOR FAN MOTOR		
LPS	LOW PRESSURE SWITCH		
CC	COMPRESSOR CONTACTOR COIL		

Parts List, Tech Labels & Wiring Diagrams for PAB & PAMD Series

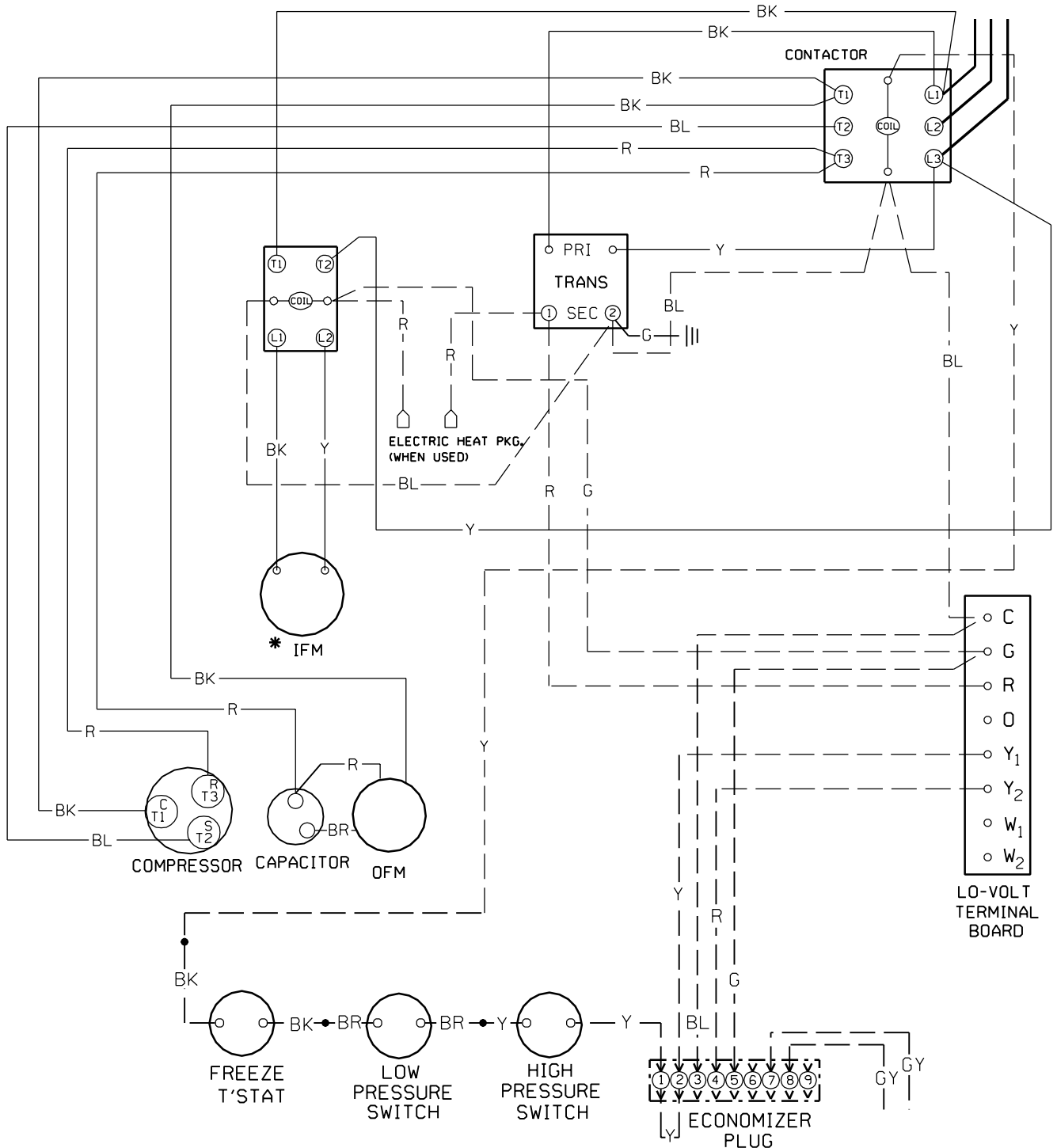
4 & 5 TON, 208/230 VOLT

CONNECTION WIRING DIAGRAM

DANGER: ELECTRICAL SHOCK HAZARD DISCONNECT POWER BEFORE SERVICING

USE COPPER CONDUCTORS ONLY

208/230V 60HZ 3PH



IF ANY OF THE ORIGINAL WIRE AS SUPPLIED WITH THE APPLIANCE MUST BE REPLACED, IT MUST BE REPLACED WITH TYPE AWM-105°C OR ITS EQUIVALENT.

* SEE INSTALLATION INSTRUCTIONS FOR PROPER HEATING AND COOLING CONNECTIONS FOR YOUR UNIT.

LEGEND

CCH....CRANKCASE HEATER
T'STAT.....THERMOSTAT
OFM.....OUTDOOR FAN MOTOR
IFM.....INDOOR FAN MOTOR
TRANS.....TRANSFORMER

Line Style	Color Code	Color	Color	Color	Color	
—	BLACK	BK	GREEN	G	WHITE	W
—	BLUE	BL	ORANGE	O	YELLOW	Y
- - -	BROWN	BR	RED	R		
- - -	GRAY	GY	VIOLET	V		

1097771

Parts List, Tech Labels & Wiring Diagrams for PAB & PAMD Series

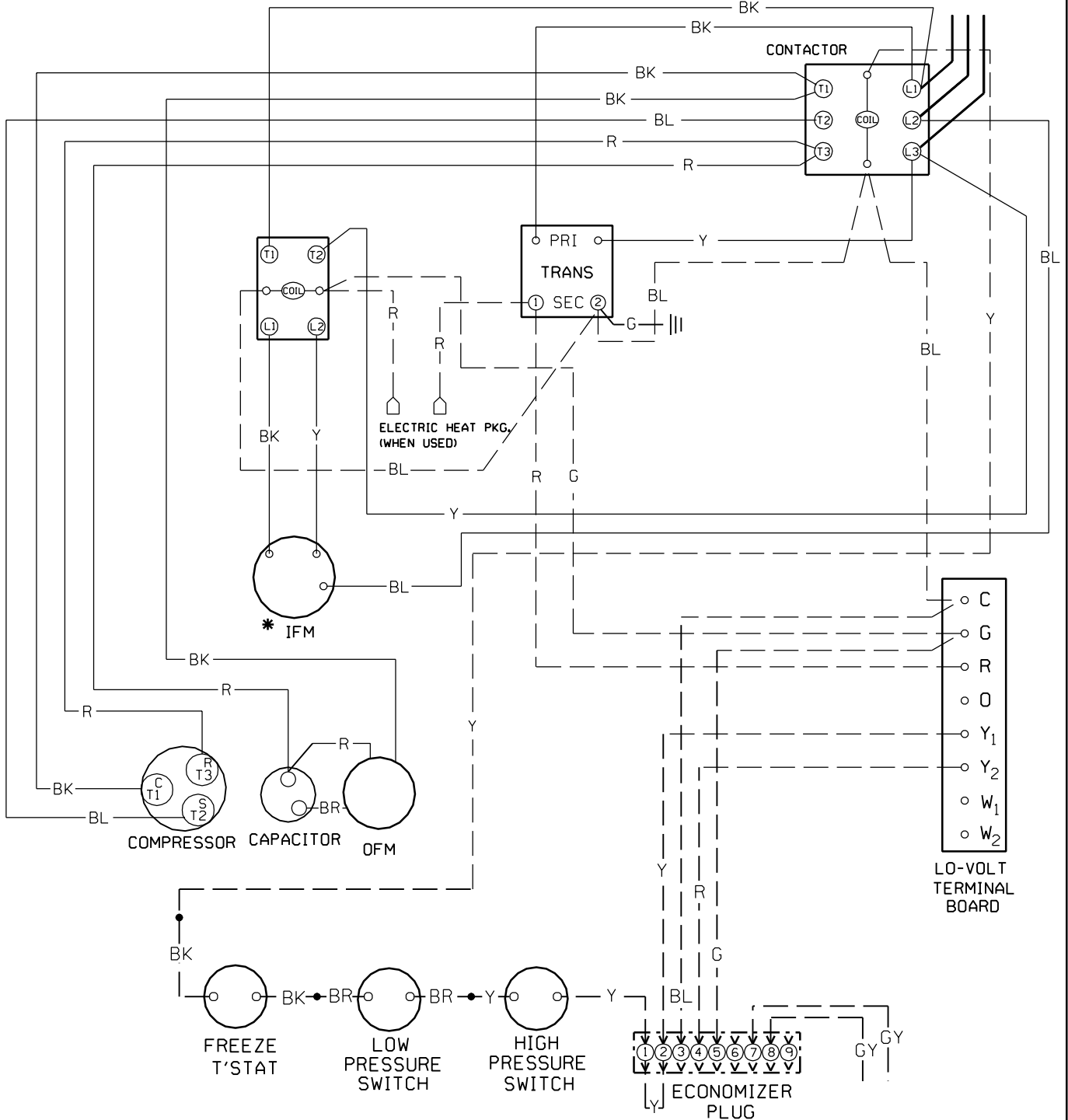
4 & 5 TON, 460 VOLT

CONNECTION WIRING DIAGRAM

DANGER: ELECTRICAL SHOCK HAZARD DISCONNECT POWER BEFORE SERVICING

USE COPPER CONDUCTORS ONLY

460V 60HZ 3PH



IF ANY OF THE ORIGINAL WIRE AS SUPPLIED WITH THE APPLIANCE MUST BE REPLACED, IT MUST BE REPLACED WITH TYPE AWM-105°C OR ITS EQUIVALENT.

* SEE INSTALLATION INSTRUCTIONS FOR PROPER HEATING AND COOLING CONNECTIONS FOR YOUR UNIT.

— LINE VOLTAGE FACTORY
 - - - LINE VOLTAGE FIELD
 - - - LOW VOLTAGE FACTORY
 - - - LOW VOLTAGE FIELD

COLOR CODE:	
BLACK BK	GREEN G
BLUE BL	ORANGE O
BROWN BR	RED R
GRAY GY	VIOLET V
	WHITE W
	YELLOW Y

LEGEND

CCH.....CRANKCASE HEATER
 T'STAT.....THERMOSTAT
 OFM.....OUTDOOR FAN MOTOR
 IFM.....INDOOR FAN MOTOR
 TRANS.....TRANSFORMER

1097772

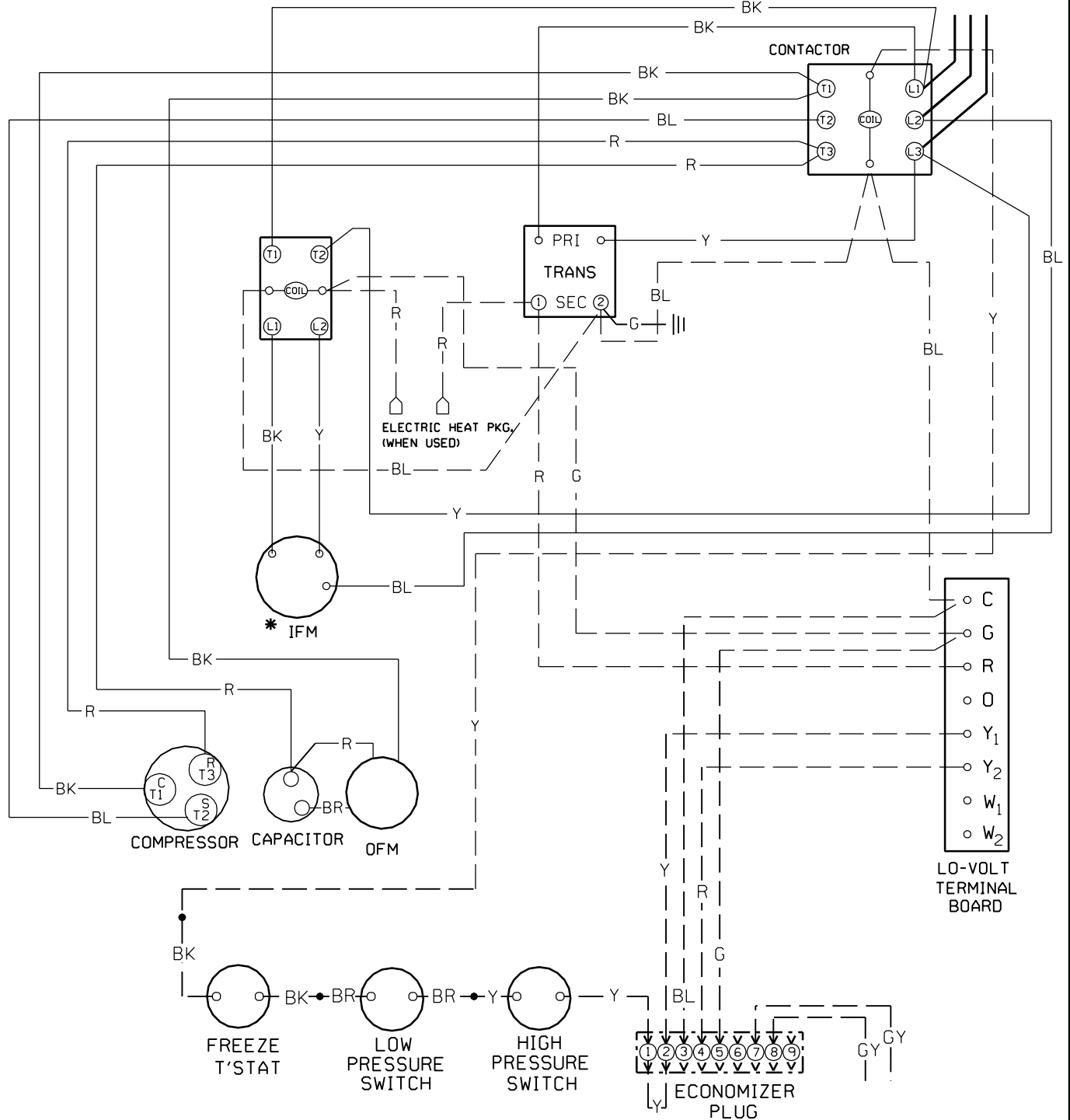
Parts List, Tech Labels & Wiring Diagrams for PAB & PAMD Series 4 & 5 TON, 575 VOLT

CONNECTION WIRING DIAGRAM

DANGER: ELECTRICAL SHOCK HAZARD DISCONNECT POWER BEFORE SERVICING

USE COPPER CONDUCTORS ONLY

575V 60HZ 3PH



IF ANY OF THE ORIGINAL WIRE AS SUPPLIED WITH THE APPLIANCE MUST BE REPLACED, IT MUST BE REPLACED WITH TYPE AWM-105°C OR ITS EQUIVALENT.

* SEE INSTALLATION INSTRUCTIONS FOR PROPER HEATING AND COOLING CONNECTIONS FOR YOUR UNIT.

— LINE VOLTAGE FACTORY
 - - - LINE VOLTAGE FIELD
 - - - - - LOW VOLTAGE FACTORY
 LOW VOLTAGE FIELD

COLOR CODE: BLACK BK GREEN G WHITE W
 BLUE BL ORANGE O YELLOW Y
 BROWN BR RED R
 GRAY GY VIOLET V

LEGEND

CCH....CRANKCASE HEATER
 T'STAT.....THERMOSTAT
 OFM.....OUTDOOR FAN MOTOR
 IFM.....INDOOR FAN MOTOR
 TRANS.....TRANSFORMER

1097773