

Parts List

***Tech Labels
Wiring Diagrams***

Models

Three Phase

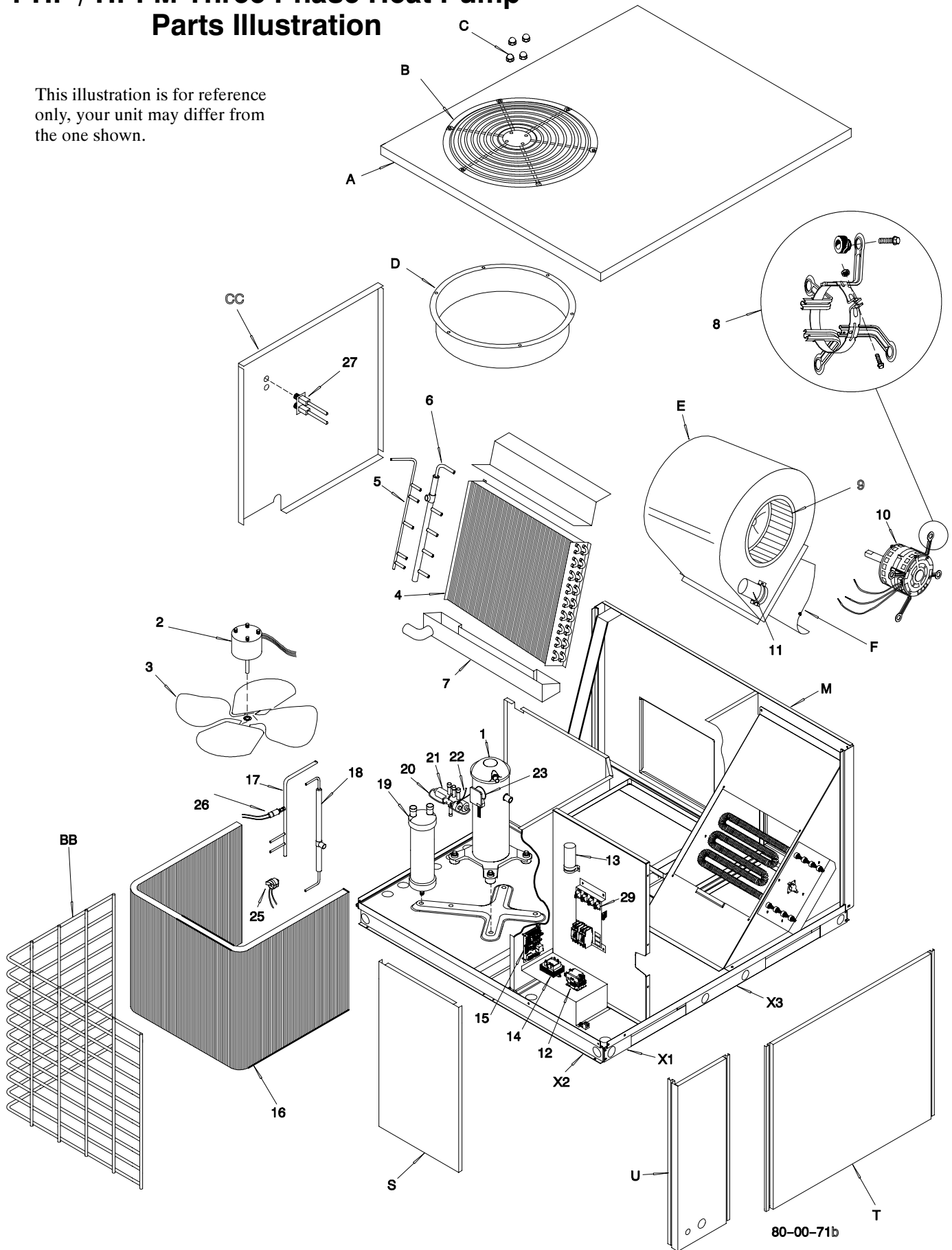
PHF036H000A	HPFM36H000A
PHF036L000A	HPFM36L000A
PHF048H000A	HPFM48H000A
PHF048L000A	HPFM48L000A
PHF060H000A	HPFM60H000A
PHF060L000A	HPFM60L000A

Commercial Package Heat Pumps

Save This Manual For Future Reference

PHF / HPFM Three Phase Heat Pump Parts Illustration

This illustration is for reference only, your unit may differ from the one shown.



80-00-71b

PARTS LIST, MODELS: PHF036H000A, PHF036L000A, PHF048H000A, PHF048L000A, PHF060H000A, PHF060L000A, HPFM36H000A, HPFM36L000A, HPFM48H000A, HPFM48L000A, HPFM60H000A, HPFM60L000A

	DESCRIPTION	PART NUMBER	3 6 H	3 6 L	4 8 H	4 8 L	6 0 H	6 0 L
1	Compressor, ZR34K3TF5	1084533	1					
1	ZR34K3TFD	1096757	*	1				
1	ZR47KCTF5	1084531	*	*	1			
1	ZR47KCTFD	1098335	*	*	*	1		
1	ZR47KCTFE	1098336	*	*	*	*		
1	ZR61KCTF5	1084537	*	*	*	*	1	
1	ZR61KCTFD	1085397	*	*	*	*	*	1
2	Motor, Condenser Fan	1082642	1		1		1	
2		1098088	*	1		1		1
3	Fan, Condenser	1096902	1	1	1	1		
3		1097974	*	*	*	*	1	1
4	Coil, Evaporator	1096997	1	1				
4		1084243	*	*	1	1		
4		1084249	*	*	*	*	1	1
5	Manifold, Evap (Suction)	1085656	1	1				
5		1084246	*	*	1	1		
5		1085560	*	*	*	*	1	1
6	Manifold, Evap (Liquid)	1085655	1	1				
6		1084233	*	*	1	1		
6		1084234	*	*	*	*	1	1
7	Pan, Drain	1098037	1	1	1	1	1	1
8	Mount, Blower Motor Kit	1004905	1	1				
8		1002804	*	*	1	1	1	1
9	Wheel, Blower 10-8DD	600587	1					
9	10-8DD	1098071	*	1				
9	11-11DD	1097529	*	*	1			
9	11-11DD	1054593	*	*	*	1	1	1
10	Motor, Blower	1083044	1					
10		1085643	*	1				
10		1083046	*	*	1			
10		1085645	*	*	*	1		1
10		1054586	*	*	*	*	1	
11	Capacitor, 10Mfd 370Volt	1094956	1					
11	15Mfd 370Volt	1094959	*	1	1			
11	20Mfd 370Volt	1094961	*	*	*	1		1
11	20Mfd 440Volt	1094968	*	*	*	*	1	

	DESCRIPTION	PART NUMBER	3 6 H	3 6 L	4 8 H	4 8 L	6 0 H	6 0 L
12	Contactora, 30Amp 3 Pole	607339	1	1	1	1	1	1
13	Capacitor, 5Mfd 370Volt	1094954	1	1	1	1	1	1
14	Transformer, 230V Pri, 24V Sec, 65VA	1054637	1		1		1	
14	460/575V Pri, 24V Sec, 65VA	1054638	*	1		1		1
15	Control, Board	1085472	1	1	1	1	1	1
16	Coil, Condenser	1097513	1	1				
16		1097515	*	*	1	1		
16		1097516	*	*	*	*	1	1
17	Manifold, Cond. (Liquid)	1098041	1	1				
17		1098043	*	*	1	1		
17		1098044	*	*	*	*	1	1
18	Manifold, Cond. (Discharge)	1085652	1	1				
18		1084261	*	*	1	1		
18		1085654	*	*	*	*	1	1
19	Accumulator	1092835	1	1				
19		1081064	*	*	1	1	1	1
20	Valve, Reversing	34329020	1	1				
20		34329002	*	*	1	1	1	1
21	Coil, Reversing Valve	34329055	1	1	1	1	1	1
22	Harness, Reverse Valve Coil	1066711	1	1	1	1	1	1
23	Plug, Compressor	1097674	1	1				
23		1097526	*	*	1	1	1	1
25	Sensor, Defrost	1097660	1	1	1	1	1	1
26	Switch, Low Pressure	1085492	1	1	1	1	1	1
27	Port Assembly	1098058	1	1	1	1	1	1
28	Filter, Air 14X25X1	1098022	2	2	2	2	2	2
29	Relay, SPDT	92840	*	2		2		2

PARTS LIST, MODELS: PHF036H000A, PHF036L000A, PHF048H000A, PHF048L000A, PHF060H000A, PHF060L000A, HPFM36H000A, HPFM36L000A, HPFM48H000A, HPFM48L000A, HPFM60H000A, HPFM60L000A

	DESCRIPTION	PART NUMBER	3 6 H	3 6 L	4 8 H	4 8 L	6 0 H	6 0 L
A	Panel, Top	1084120	1	1	1	1	1	1
B	Grille, Outlet	1084490	1	1	1	1	1	1
BB	Grille, Inlet	1084255	1	1				
BB		1084268	*	*	1	1	1	1
C	Nut, Cap	1067902	4	4	4	4	4	4
CC	Panel, Access Compressor	1084137	1	1				
CC		1084168	*	*	1	1	1	1
D	Orifice, Condenser fan	1065724	1	1	1	1	1	1
E	Housing, Blower	1085665	1	1				
E		1085666	*	*	1	1	1	1
F	Panel, Blower Cutoff	95143	1	1				
F		1065073	*	*	1	1	1	1
M	Panel, Rear	1084104	1	1				
M		1084140	*	*	1	1	1	1
S	Panel, Access Heating	1084134	1	1				
S		1097977	*	*	1	1	1	1
T	Panel, Access Blower	1084156	1	1				
T		1084153	*	*	1	1	1	1
U	Post, Corner	1084155	1	1				
U		1084170	*	*	1	1	1	1
X1	Rail, Base (Front & Rear)	1084101	2	2	2	2	2	2
X2	Rail, Base (Center)	1096995	1	1	1	1	1	1
X3	Rail, Base (End)	1084102	2	2	2	2	2	2
)	Manual, Parts List	51604120 1	1	1	1	1	1	1
)	Manual, Installation	51601110 1	1	1	1	1	1	1

Unit Size PHF060H / HPFM 60H		Outdoor Ambient Temperature - Degrees F. Dry Bulb																																																																							
Voltage 208/230/3/60		75				85				95				105				115																																																							
Ampacity 34.2		Entering Indoor Temperature - Degrees F. Wet Bulb																																																																							
Max. Fuse 50		59				63				67				71				59				63				67				71																																											
Compressor		IDB																																																																							
RLA	21.0	MBh																																																																							
LRA	128	S/T																																																																							
CAP MFD/V	N/A	AMPS																																																																							
CC HEATER	N/A	HI PR																																																																							
Cond & Evap		LOPR																																																																							
Cond Type	Cond Fan	MBh																																																																							
Evap Blower	11-11A	S/T																																																																							
Size	20.3	AMPS																																																																							
Motor-Hp	1/3	HI PR																																																																							
FLA	1.9	LOPR																																																																							
LRA	N/A	MBh																																																																							
RPM	1150	S/T																																																																							
Cap MFD/Volts	20/440	AMPS																																																																							
Hi Pressure	N/A	HI PR																																																																							
Lo Pressure	N/A	LOPR																																																																							
Low Ambient	N/A	IDB																																																																							
Low Charge Sw	20 - 50	Outdoor Ambient Temperature - Degrees F. Dry Bulb																																																																							
Defrost	Timed	65				60				55				50				47				45				40				35				30				25				20				17				15				10				5				0				-5				-10			
Sensor	31/51	MBh																																																																							
R-22, oz.		T/R																																																																							
Operating Chg.	See Rating Plate	KW																																																																							
Service Driers		AMPS																																																																							
Liquid/Chg	Field	COP																																																																							
Suction	Field	EER																																																																							
		HI PR																																																																							
		LO PR																																																																							
Unit Weight	500	Air Delivery in CFM - Dry Coil																																																																							
		(Add .08 static W/Internal Filters - Subtract 25 CFM for Wet Coil)																																																																							
		230 Volt External Static Pressure (Inch Water Column)																																																																							
		Motor Speed																																																																							
		Hi																																																																							
		MD HI																																																																							
		MD LO																																																																							
		LO																																																																							

1098549
11-16-98

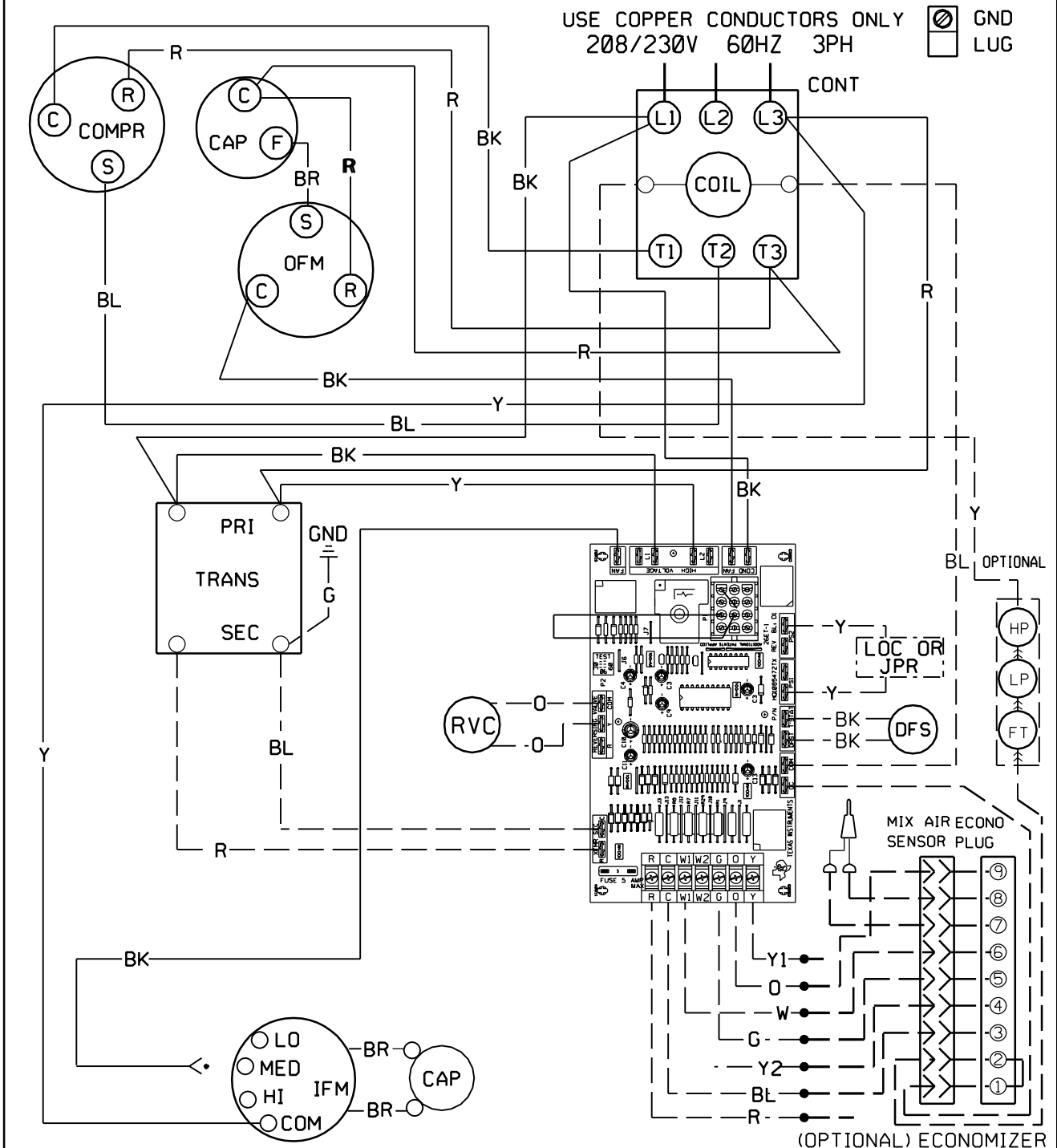
Unit Size PHF060L / HPFM 60L		Outdoor Ambient Temperature - Degrees F. Dry Bulb																																																																							
Voltage 460/3/60		75				85				95				105				115																																																							
Ampacity 15.4		Entering Indoor Temperature - Degrees F. Wet Bulb																																																																							
Max. Fuse 25		59				63				67				71				59				63				67				71																																											
Compressor		IDB																																																																							
RLA	10.0	MBh																																																																							
LRA	63	S/T																																																																							
CAP MFD/V	N/A	AMPS																																																																							
CC HEATER	N/A	HI PR																																																																							
Cond & Evap		LOPR																																																																							
Cond Type	Cond Fan	MBh																																																																							
Evap Blower	11-11A	S/T																																																																							
Size	20.3	AMPS																																																																							
Motor-Hp	1/3	HI PR																																																																							
FLA	.74	LOPR																																																																							
LRA	N/A	MBh																																																																							
RPM	1150	S/T																																																																							
Cap MFD/Volts	20/370	AMPS																																																																							
Hi Pressure	N/A	HI PR																																																																							
Lo Pressure	N/A	LOPR																																																																							
Low Ambient	N/A	IDB																																																																							
Low Charge Sw	20 - 50	Outdoor Ambient Temperature - Degrees F. Dry Bulb																																																																							
Defrost	Timed	65				60				55				50				47				45				40				35				30				25				20				17				15				10				5				0				-5				-10			
Sensor	31/51	MBh																																																																							
R-22, oz.		T/R																																																																							
Operating Chg.	See Rating Plate	KW																																																																							
Service Driers		AMPS																																																																							
Liquid/Chg	Field	COP																																																																							
Suction	Field	EER																																																																							
		HI PR																																																																							
		LO PR																																																																							
Unit Weight	500	Air Delivery in CFM - Dry Coil																																																																							
		(Add .08 static W/Internal Filters - Subtract 25 CFM for Wet Coil)																																																																							
		230 Volt External Static Pressure (Inch Water Column)																																																																							
		Motor Speed																																																																							
		Hi																																																																							
		MD HI																																																																							
		MD LO																																																																							
		LO																																																																							

1098552
11-16-98

ALL 208/230 Volt Models Connection Wiring Diagram

CONNECTION WIRING DIAGRAM

DANGER: ELECTRICAL SHOCK HAZARD DISCONNECT POWER BEFORE SERVICING



IF ANY OF THE ORIGINAL WIRE AS SUPPLIED WITH THE APPLIANCE MUST BE REPLACED, IT MUST BE REPLACED WITH TYPE AWM-105°C OR ITS EQUIVALENT.

• SEE INSTALLATION INSTRUCTIONS FOR PROPER HEATING AND COOLING CONNECTIONS FOR YOUR UNIT

—	LINE VOLTAGE FACTORY
—	LINE VOLTAGE FIELD
---	LOW VOLTAGE FACTORY
---	LOW VOLTAGE FIELD

COLOR CODE

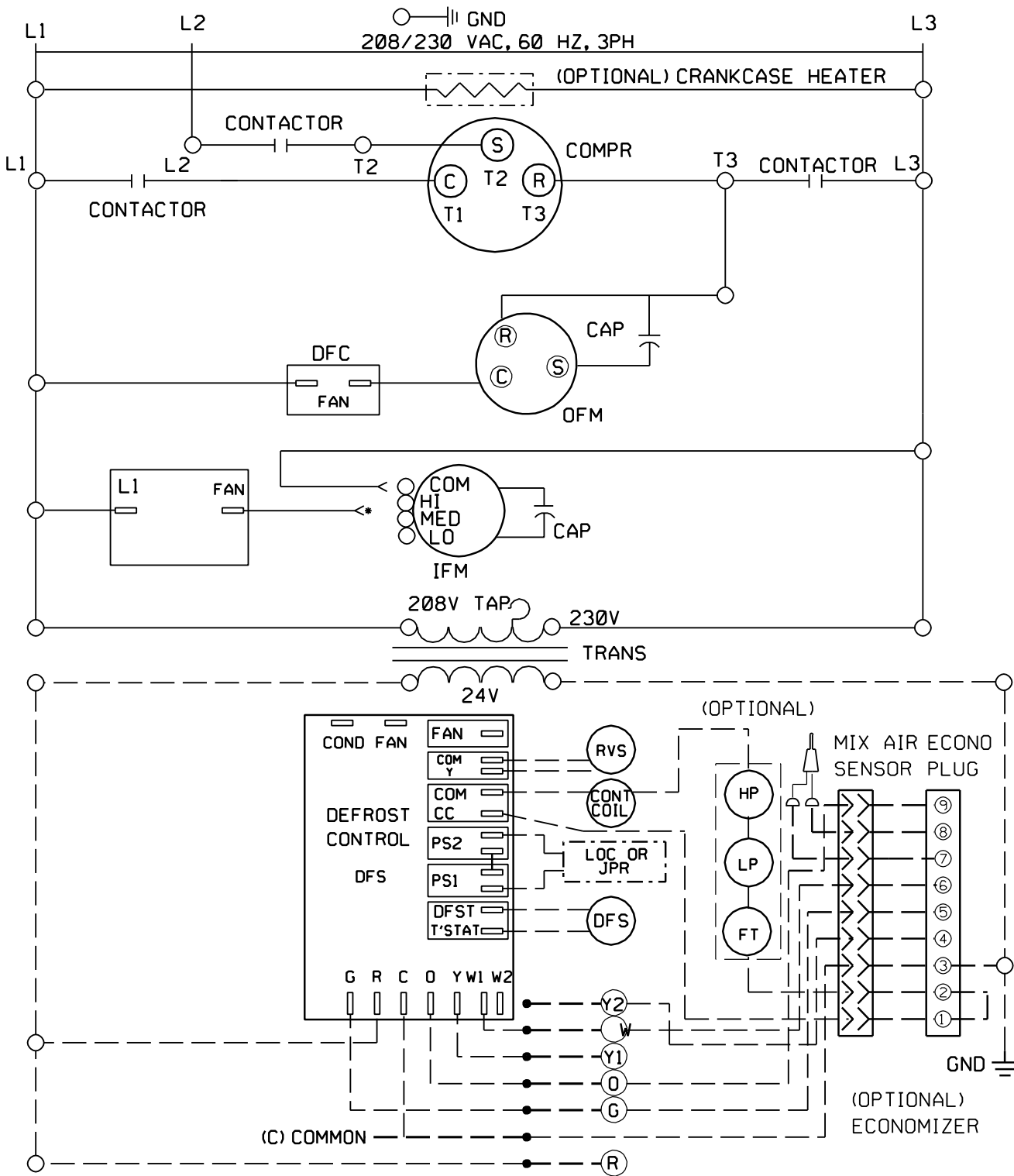
BLACK	BK	GREEN	G	WHITE	W
BLUE	BL	ORANGE	O	YELLOW	Y
BROWN	BR	RED	R		
GRAY	GY	VIOLET	V		

1098531

ALL 208/230 Volt Models Ladder Wiring Diagram

LADDER WIRING DIAGRAM

DANGER: ELECTRICAL SHOCK HAZARD DISCONNECT POWER BEFORE SERVICING



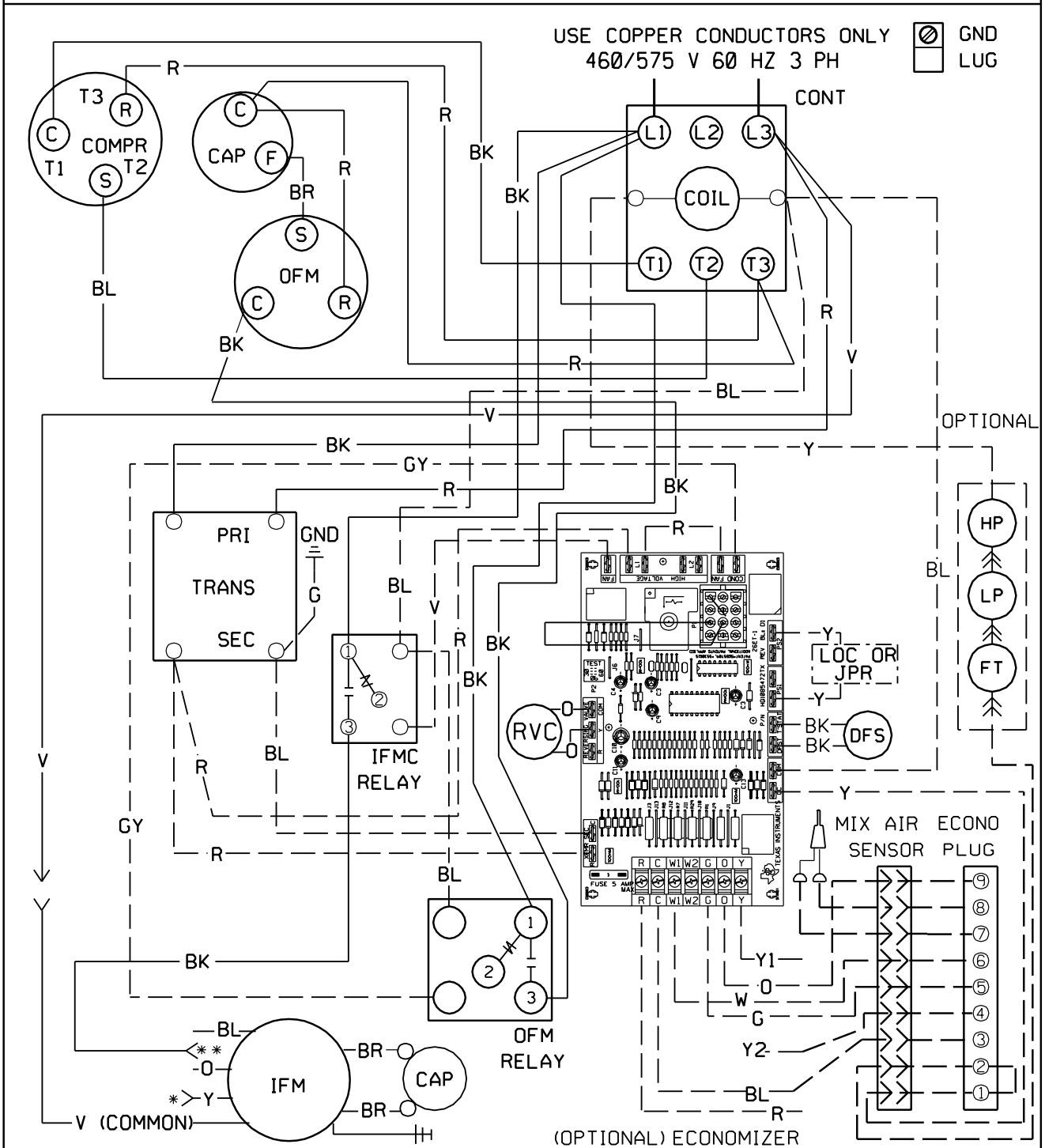
TRANS.....TRANSFORMER	GND.....GROUND	IFMC.....INDOOR FAN MOTOR CONTROL
COMPR....COMPRESSOR	LOC.....LOSS OF CHARGE	IFM.....INDOOR FAN MOTOR
CAP.....CAPACITOR	PRESSURE SWITCH	RVS.....REVERSING VALVE SOLENOID
CONT.....CONTACTOR	DFS.....DEFROST SENSOR	OFM.....OUTDOOR FAN MOTOR
JPR.....JUMPER WIRE	DFC.....DEFROST CONTROL	TC.....TERMINAL CONNECTOR

1098532

ALL 460 Volt Models Connection Wiring Diagram

CONNECTION WIRING DIAGRAM

DANGER: ELECTRICAL SHOCK HAZARD DISCONNECT POWER BEFORE SERVICING



IF ANY OF THE ORIGINAL WIRE AS SUPPLIED WITH THE APPLIANCE MUST BE REPLACED, IT MUST BE REPLACED WITH TYPE AWM-105°C OR ITS EQUIVALENT.

** FOR PROPER SPEED TAP CONNECTIONS (HEATING & COOLING) REFER TO INSTALLATION INSTRUCTIONS OR MOTOR CONNECTION LABEL IN CONTROL BOX.

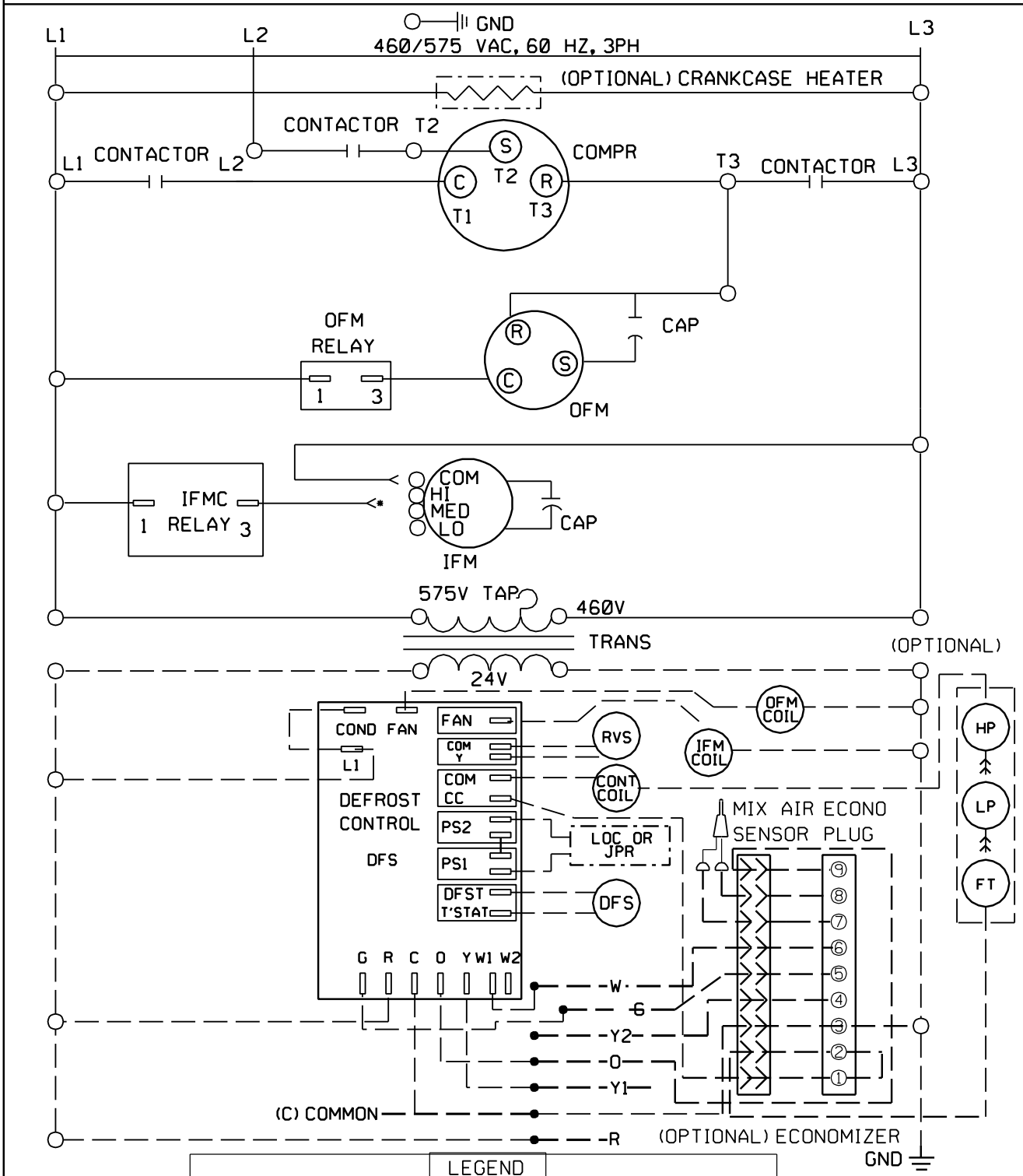
—	LINE VOLTAGE FACTORY	<u>COLOR CODE</u>	BLACK	BK	GREEN	G	WHITE	W
—	LINE VOLTAGE FIELD		BLUE	BL	ORANGE	O	YELLOW	Y
- - -	LOW VOLTAGE FACTORY		BROWN	BR	RED	R		
- - -	LOW VOLTAGE FIELD		GRAY	GY	VIOLET	V		
								1098533

* YELLOW WIRE ON 4 SPEED MOTORS ONLY.

ALL 460 Volt Models Ladder Wiring Diagram

LADDER WIRING DIAGRAM

DANGER: ELECTRICAL SHOCK HAZARD DISCONNECT POWER BEFORE SERVICING



LEGEND		
TRANS.....TRANSFORMER	GND.....GROUND	IFMC.....INDOOR FAN MOTOR CONTROL
COMPR.....COMPRESSOR	LOC.....LOSS OF CHARGE	IFM.....INDOOR FAN MOTOR
CAP.....CAPACITOR	PRESSURE SWITCH	RVS.....REVERSING VALVE SOLENOID
CONT.....CONTACTOR	DFS.....DEFROST SENSOR	OFM.....OUTDOOR FAN MOTOR
JPR.....JUMPER WIRE	DFC.....DEFROST CONTROL	TC.....TERMINAL CONNECTOR

1098534