



N4A3

Performance Series Product Specifications

EFFICIENT 13 SEER AIR CONDITIONER ENVIRONMENTALLY BALANCED R-410A REFRIGERANT 1- 1/2 THRU 5 TONS SPLIT SYSTEM 208/230 Volt, 1-phase, 60 Hz

REFRIGERATION CIRCUIT

- Scroll compressors on all models
- Filter-Drier supplied with every unit for field installation
- Copper tube / aluminum fin coil

EASY TO INSTALL AND SERVICE

- Easy Access service valves on all models
- External high and low refrigerant service ports
- Only two screws to access control panel
- Factory charged with R- 410A refrigerant

BUILT TO LAST

- Baked- on powder coat finish over galvanized steel
- Post- painted (black) coil fins
- Coated, weather- resistant cabinet screws
- Coated inlet grille with 2" (51mm) spacing standard, alternate models available with 3/8" (10mm) grille spacing for extra protection (hail guard)

LIMITED WARRANTY*

- 5 year compressor limited warranty
- 5 year parts limited warranty (including compressor and coil)
 - With timely registration, an additional 5 year parts limited warranty (including compressor and coil)
- * For owner occupied, residential applications only. See warranty certificate for complete details and restrictions, including warranty coverage for other applications.



Use of the AHRI Certified TM Mark indicates a manufacturer's participation in the program. For verification of certification for individual products, go to www.ahridirectory.org.



| Model Number | Size (tons) | Nominal BTU/hr | Min. Circuit Ampacity | Max. Fuse or Breaker | Operating Dimensions height x width/depth in. (mm) | Ship / Operating Weight lbs. (kg) |
|--------------|-------------|----------------|-----------------------|----------------------|--|-----------------------------------|
| N4A318*KF | 1- 1/2 | 18,000 | 11.8 | 20 | 25- 5/16 x 23- 1/8 (643 x 587) | 130 / 107 (59 / 49) |
| N4A324*KG | 2 | 24,000 | 14.3 | 25 | 25- 5/16 x 23- 1/8 (643 x 587) | 127 / 107 (58 / 49) |
| N4A330*KG | 2- 1/2 | 30,000 | 16.6 | 25 | 28- 11/16 x 25- 3/4 (729 x 654) | 149 / 126 (68 / 57) |
| N4A336*KF | 3 | 36,000 | 18.1 | 30 | 25- 5/16 x 31- 3/16 (642 x 792) | 151 / 134 (68 / 61) |
| N4A342*KN | 3- 1/2 | 42,000 | 23.5 | 40 | 32- 5/16 x 31- 3/16 (821 x 792) | 218 / 190 (99 / 86) |
| N4A348*KG | 4 | 48,000 | 24.3 | 40 | 35- 1/2 x 31- 3/16 (901 x 792) | 205 / 175 (93 / 79) |
| N4A360*KN | 5 | 60,000 | 29.0 | 50 | 28- 11/16 x 31- 3/16 (729 x 792) | 232 / 199 (106 / 91) |

* **A** = 2" (51mm) spacing inlet grille or
G = 3/8" (10mm) spacing inlet grille

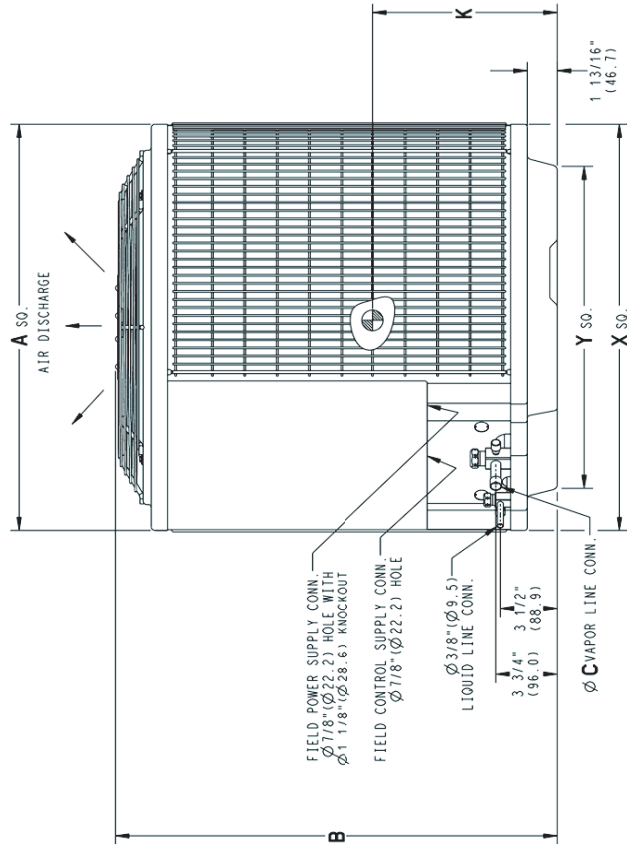
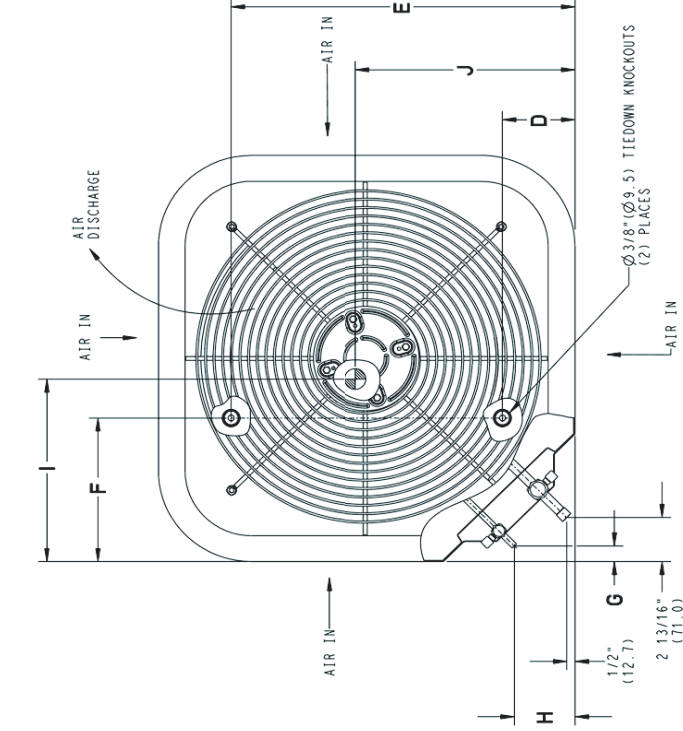
| OUTDOOR UNIT MODEL NUMBER IDENTIFICATION GUIDE | | | | | | | | | | | |
|--|----------|--------------------|----------|---------------------------|-----------|----------|----------|----------|----------|-----------------|----------|
| Digit Position: | 1 | 2 | 3 | 4 | 5, 6 | 7 | 8 | 9 | 10 | 11 | 12 |
| Example Part Number: | N | 4 | A | 3 | 24 | A | K | N | 1 | 0 | 0 |
| C = Day & Night Mainline | | | | | | | | | | | |
| N = Day & Night Entry | | BRANDING | | | | | | | | | |
| 4 = R-410A | | REFRIGERANT | | | | | | | | | |
| A = Air Conditioner | | | | | | | | | | | |
| H = Heat Pump | | | | TYPE | | | | | | | |
| 3 = 13 SEER | | | | | | | | | | | |
| 4 = 14 SEER | | | | NOMINAL EFFICIENCY | | | | | | | |
| 18 = 18,000 BTUH = 1- 1/2 tons | | | | | | | | | | | |
| 24 = 24,000 BTUH = 2 tons | | | | | | | | | | | |
| 30 = 30,000 BTUH = 2- 1/2 tons | | | | | | | | | | | |
| 36 = 36,000 BTUH = 3 tons | | | | | | | | | | | |
| 42 = 42,000 BTUH = 3- 1/2 tons | | | | | | | | | | | |
| 48 = 48,000 BTUH = 4 tons | | | | | | | | | | | |
| 60 = 60,000 BTUH = 5 tons | | | | NOMINAL CAPACITY | | | | | | | |
| A = Standard Grille | | | | | | | | | | | |
| G = Coil Guard Grille | | | | | | | | | | | |
| C = Coastal | | | | | | | | | | FEATURES | |
| K = 208/230- 1- 60 | | | | | | | | | | VOLTAGE | |
| Sales Code | | | | | | | | | | | |
| Engineering Revision | | | | | | | | | | | |
| Extra Digit | | | | | | | | | | | |
| Extra Digit | | | | | | | | | | | |

| ACCESSORIES PART NUMBER IDENTIFICATION GUIDE | | | | | | | | | |
|--|----------|----------------------|----------|---------------------|----------|--------------------|-----------|-----------|--|
| Digit Position: | 1 | 2 | 3 | 4 | 5 | 6, 7 | 8, 9 | 10, 11 | |
| Example Part Number: | N | A | S | A | 0 | 01 | 01 | CH | |
| N = Non- Branded | | BRANDING | | | | | | | |
| A = Accessory | | PRODUCT GROUP | | | | | | | |
| S = Split System (AC & HP) | | | | KIT USAGE | | | | | |
| A = Original | | | | | | | | | |
| B = 2nd Generation | | | | MAJOR SERIES | | | | | |
| 0 = Generic or Not Applicable | | | | | | | | | |
| 2 = R- 22 | | | | | | | | | |
| 4 = R- 410A | | | | | | REFRIGERANT | | | |
| Product Identifier Number | | | | | | | | | |
| Package Quantity | | | | | | | | | |
| Type of Kit (Example: CH = Crankcase Heater) | | | | | | | | | |

| UNIT | SERIES | ELECTRICAL CHARACTERISTICS | A | | B | | C | | D | | E | | F | | G | | H | | I | | J | | K | | OPERATING WEIGHT | | SHIPPING WEIGHT (S.R.) | | SHIPPING LENGTH / WIDTH | | SHIPPING HEIGHT | | | | | | | | | | | |
|----------------|--------|----------------------------|------|------|-------|----|-------|-------|------|------|------|------|-------|----|------|-------|------|-------|-------|------|------|----|------|----|------------------|-------|------------------------|-------|-------------------------|-------|-----------------|-------|------|------|-------|------|-------|-------|-------|-------|--------|-------|
| | | | INCH | MM | INCH | MM | INCH | MM | INCH | MM | INCH | MM | INCH | MM | INCH | MM | INCH | MM | INCH | MM | INCH | MM | INCH | MM | INCH | MM | INCH | MM | INCH | MM | INCH | MM | | | | | | | | | | |
| NAA318(A)GKFE | 1 | Y | 23 | 1/8 | 587.3 | 25 | 5/16 | 642.9 | 3/4 | 19.1 | 4 | 7/16 | 113.0 | 18 | 1/16 | 459.0 | 7 | 13/16 | 197.9 | 5/16 | 7.9 | 3 | 76.2 | 16 | 1/2 | 419.1 | 15 | 381.0 | 12 | 304.8 | 107 | 48.5 | 130 | 59.0 | 25 | 1/4 | 641.5 | 29 | 3/4 | 755.8 | | |
| NAA324(A)GKGG | 1 | Y | 23 | 1/8 | 587.3 | 25 | 5/16 | 642.9 | 3/4 | 19.1 | 4 | 7/16 | 113.0 | 18 | 1/16 | 459.0 | 7 | 13/16 | 197.9 | 5/16 | 7.9 | 3 | 76.2 | 16 | 1/2 | 419.1 | 15 | 381.0 | 12 | 304.8 | 107 | 48.5 | 130 | 59.0 | 25 | 1/4 | 641.5 | 29 | 3/4 | 755.8 | | |
| NAA330(A)GKGG | 1 | Y | 25 | 3/4 | 654.0 | 28 | 11/16 | 728.7 | 3/4 | 19.1 | 4 | 7/16 | 113.0 | 21 | 1/4 | 539.9 | 8 | 1/8 | 231.3 | 5/16 | 7.9 | 3 | 76.2 | 14 | 1/2 | 368.3 | 15 | 1/2 | 383.7 | 12 | 1/2 | 317.5 | 128 | 57.2 | 149 | 67.6 | 27 | 7/8 | 708.2 | 33 | 3/16 | 843.1 |
| NAA330(G)HCC | 2 | Y | 23 | 1/8 | 587.3 | 25 | 11/16 | 728.7 | 3/4 | 19.1 | 4 | 7/16 | 113.0 | 18 | 1/16 | 459.0 | 7 | 13/16 | 197.9 | 5/16 | 7.9 | 3 | 76.2 | 16 | 1/2 | 419.1 | 15 | 381.0 | 14 | 355.6 | 111 | 60.3 | 136 | 61.7 | 25 | 1/4 | 641.5 | 33 | 3/16 | 843.1 | | |
| NAA339(A)GKFE | 1 | Y | 31 | 3/16 | 792.5 | 25 | 5/16 | 642.9 | 7/8 | 22.2 | 6 | 9/16 | 166.1 | 24 | 1/16 | 608.3 | 9 | 1/8 | 231.3 | 5/16 | 7.9 | 3 | 76.2 | 15 | 8/16 | 395.9 | 16 | 1/2 | 419.1 | 10 | 1/4 | 260.4 | 134 | 60.8 | 151 | 68.5 | 33 | 5/16 | 846.6 | 29 | 3/4 | 755.8 |
| NAA339(S)HLNVR | 3 | Y | 31 | 3/16 | 792.5 | 32 | 1/16 | 815.1 | 7/8 | 22.2 | 6 | 9/16 | 166.1 | 24 | 1/16 | 608.3 | 9 | 1/8 | 231.3 | 5/16 | 7.9 | 3 | 76.2 | 14 | 1/4 | 362.0 | 10 | 1/2 | 268.7 | 16 | 408.4 | 141 | 64.0 | 170 | 77.1 | 27 | 7/8 | 708.2 | 36 | 5/8 | 808.5 | |
| NAA342(A)GKHLV | 1 | Y | 31 | 3/16 | 792.5 | 32 | 1/16 | 815.1 | 7/8 | 22.2 | 6 | 9/16 | 166.1 | 24 | 1/16 | 608.3 | 9 | 1/8 | 231.3 | 5/16 | 7.9 | 3 | 76.2 | 15 | 3/4 | 403.1 | 18 | 1/4 | 412.8 | 13 | 3/4 | 349.3 | 180 | 81.6 | 208 | 94.3 | 33 | 5/16 | 846.6 | 36 | 5/8 | 808.5 |
| NAA342(G)HLV | 3 | Y | 31 | 3/16 | 792.5 | 32 | 1/16 | 815.1 | 7/8 | 22.2 | 6 | 9/16 | 166.1 | 24 | 1/16 | 608.3 | 9 | 1/8 | 231.3 | 5/16 | 7.9 | 3 | 76.2 | 15 | 3/4 | 403.1 | 18 | 1/4 | 412.8 | 13 | 3/4 | 349.3 | 180 | 81.6 | 208 | 94.3 | 33 | 5/16 | 846.6 | 36 | 5/8 | 808.5 |
| NAA348(A)GKHLV | 1 | Y | 31 | 3/16 | 792.5 | 35 | 1/2 | 901.4 | 7/8 | 22.2 | 6 | 9/16 | 166.1 | 24 | 1/16 | 608.3 | 9 | 1/8 | 231.3 | 5/16 | 7.9 | 3 | 76.2 | 14 | 3/4 | 374.7 | 15 | 3/8 | 390.5 | 15 | 381.0 | 186 | 84.4 | 224 | 101.6 | 35 | 5/16 | 846.6 | 40 | 101.6 | 1015.9 | |
| NAA348(S)HLNVR | 2 | Y | 31 | 3/16 | 792.5 | 35 | 1/2 | 901.4 | 7/8 | 22.2 | 6 | 9/16 | 166.1 | 24 | 1/16 | 608.3 | 9 | 1/8 | 231.3 | 5/16 | 7.9 | 3 | 76.2 | 14 | 3/4 | 374.7 | 15 | 3/8 | 390.5 | 15 | 381.0 | 186 | 84.4 | 224 | 101.6 | 35 | 5/16 | 846.6 | 40 | 101.6 | 1015.9 | |
| NAA380(A)GKHLV | 4 | Y | 31 | 3/16 | 792.5 | 28 | 11/16 | 728.7 | 7/8 | 22.2 | 6 | 9/16 | 166.1 | 24 | 1/16 | 608.3 | 9 | 1/8 | 231.3 | 5/16 | 7.9 | 3 | 76.2 | 16 | 408.4 | 15 | 1/2 | 393.7 | 12 | 3/4 | 323.9 | 189 | 89.8 | 232 | 103.2 | 35 | 5/16 | 846.6 | 35 | 3/16 | 843.1 | |
| NAA380(S)HLNVR | 3 | Y | 31 | 3/16 | 792.5 | 28 | 11/16 | 728.7 | 7/8 | 22.2 | 6 | 9/16 | 166.1 | 24 | 1/16 | 608.3 | 9 | 1/8 | 231.3 | 5/16 | 7.9 | 3 | 76.2 | 16 | 408.4 | 15 | 1/2 | 393.7 | 12 | 3/4 | 323.9 | 189 | 89.8 | 232 | 103.2 | 35 | 5/16 | 846.6 | 35 | 3/16 | 843.1 | |

Y=YES
N=NO

NOTES:
1. ALLOW 24" (609.6) CLEARANCE TO SERVICE SIDE OF UNIT, 48" (1219.2) ABOVE UNIT, 6" (152.4) ON ONE SIDE, 12" (304.8) ON REMAINING SIDE, AND 24" (609.6) BETWEEN UNITS FOR PROPER AIRFLOW.



U.S. EXPORT CLASSIFICATION: EAR99

NOTE: ALL DIMENSIONS IN INCH (MM)

| UNIT SIZE | "X" | | "Y" | | | |
|----------------------|--|--|--|--|-------|-------|
| | MINIMUM GROUND MOUNTING PAD APPLICATION DIMENSIONS | MINIMUM ROOF-TOP MOUNTING PAD APPLICATION DIMENSIONS | MINIMUM GROUND MOUNTING PAD APPLICATION DIMENSIONS | MINIMUM ROOF-TOP MOUNTING PAD APPLICATION DIMENSIONS | | |
| 18, 24, 30 (360) | 23 | 1/8 | 587.3 | 17 | 7/8 | 454.6 |
| 30 (120), 36 (90) | 25 | 3/4 | 654.0 | 20 | 7/16 | 518.5 |
| 36 (144), 42, 48, 60 | 31 | 3/16 | 792.5 | 22 | 15/16 | 563.2 |
| - | 35 | - | 889.0 | 26 | 3/4 | 679.7 |

| PHYSICAL DATA (1-phase) | | | | | | | |
|--|-------------|-------------|-------------|-------------|-------------|-------------|-----------------|
| Model Size | 18 | 24 | 30 | 36 | 42 | 48 | 60 |
| Nominal Cooling Capacity (BTU/hr) | 18,000 | 24,000 | 30,000 | 36,000 | 42,000 | 48,000 | 60,000 |
| Nominal SEER | 13.0 | 13.0 | 13.0 | 13.0 | 13.0 | 13.0 | 13.0 |
| PSC Fan Motor HP | 1/12 | 1/10 | 1/10 | 1/5 | 1/5 | 1/4 | 1/4 |
| Fan RPM (single speed) | 1100 | 1100 | 1100 | 1100 | 1100 | 1100 | 800 |
| Fan CFM | 1792 | 2218 | 2169 | 3167 | 3167 | 3365 | 3365 |
| Coil Face Area ft ² (m ²) | 8.40(.78) | 8.40(.78) | 11.49(1.1) | 12.93(1.2) | 17.25(1.6) | 19.40(1.8) | 12.93(1.2) |
| Coil Rows - fins per inch | 1 - 20 | 1 - 25 | 1 - 25 | 1 - 25 | 1 - 25 | 1 - 25 | 2 - 20 |
| Circuits | 3 | 3 | 3 | 5 | 4 | 5 | 6 |
| Liquid Line Connection Size in. (mm) | 3/8 (10) | 3/8 (10) | 3/8 (10) | 3/8 (10) | 3/8 (10) | 3/8 (10) | 3/8 (10) |
| Vapor Line Connection Size in. (mm) | 3/4 (19) | 3/4 (19) | 3/4 (19) | 7/8 (22) | 7/8 (22) | 7/8 (22) | 1 - 1/8 (22) |
| Rated Line Set Liquid Tube Diameter in. (mm) | 3/8 (10) | 3/8 (10) | 3/8 (10) | 3/8 (10) | 3/8 (10) | 3/8 (10) | 3/8 (10) |
| Rated Line Set Vapor Tube Diameter in. (mm) | 3/4 (19)* | 3/4 (19)* | 3/4 (19)* | 7/8 (22)* | 7/8 (22)* | 7/8 (22)* | 1 - 1/8 (28.6)* |
| Factory Charge R- 410A lbs. (kg) | 3.15 (1.43) | 3.15 (1.43) | 4.62 (2.10) | 5.42 (2.46) | 5.84 (2.65) | 7.37 (3.34) | 8.19 (3.71) |
| Required Subcooling ° F (° C) | 14 (7.8) | 10 (5.6) | 10 (5.6) | 11 (6.1) | 10 (5.6) | 13 (7.2) | 15 (8.3) |

* Units are rated with 25 ft (7.6 m) of lineset length. See Vapor Line Sizing and Cooling Capacity Loss table when using other sizes and lengths of lineset. **Note:** See unit Installation Instruction for proper installation.

Check the piston size shipped with the indoor unit to see if it matches the required indoor piston size. If it does not match, replace the indoor piston with the correct size per the table below.

| Outdoor Unit Connected to a Factory Approved Indoor Unit (with FEM4P* Fan Coil) | | | | | | |
|--|-------|-------|-------|-------|-------|-------|
| Outdoor Unit Size - Series | 18- F | 24- G | 30- G | 36- F | 42- N | 48- G |
| Piston Size by Outdoor | 49 | 55 | 61 | - | 73 | 78 |

NOTE: Pistons shipped with outdoor units are only qualified and approved with the above listed fan coils. The piston included with the FMA4P* and FM(C,U)4P* fan coils are unique to those products and CANNOT be replaced with the piston shipped with the outdoor unit. Refer to AHRI Directory to check if your combination can use a piston or requires an accessory TXV.

| ELECTRICAL DATA (208/230-1-60, voltage range 197V - 253V) | | | | | | | |
|---|------|------|------|------|-------|------|-------|
| Model Size | 18 | 24 | 30 | 36 | 42 | 48 | 60 |
| Minimum Circuit Ampacity - MCA (amps) | 11.8 | 14.3 | 16.6 | 18.1 | 23.5 | 24.3 | 29.0 |
| Maximum OverCurrent Protective device - MOCP (amps) | 20 | 25 | 25 | 30 | 40 | 40 | 50 |
| Compressor RLA (Rated Load Amps) | 9.0 | 10.9 | 12.8 | 13.6 | 17.9 | 18.3 | 22.1 |
| LRA (Locked Rotor Amps) | 47.5 | 62.9 | 67.8 | 79.0 | 112.0 | 93.0 | 125.0 |
| Fan Motor FLA (Full Load Amps) | 0.5 | 0.7 | 0.6 | 1.1 | 1.1 | 1.4 | 1.4 |

**Sound Rating tested in accordance with AHRI Standard 270- 2008 (not listed with AHRI).

| A-Weighted Sound Power Level - Without Sound Shield | | | | | | | | |
|---|-----------------------|--|------|------|------|------|------|------|
| Model | Standard Rating (dBA) | TYPICAL OCTAVE BAND SPECTRUM (without tone adjustment) | | | | | | |
| | | 125 | 250 | 500 | 1000 | 2000 | 4000 | 8000 |
| 18- F | 71 | 64.0 | 62.0 | 63.0 | 68.0 | 64.0 | 62.0 | 57.0 |
| 24- G | 74 | 50.9 | 60.6 | 66.4 | 71.0 | 65.5 | 61.1 | 59.2 |
| 30- G | 72 | 54.8 | 59.3 | 65.1 | 68.2 | 66.4 | 61.6 | 57.3 |
| 36- F | 75 | 50.5 | 61.0 | 64.5 | 67.0 | 62.5 | 60.0 | 52.5 |
| 42- N | 78 | 57.5 | 65.0 | 71.0 | 73.0 | 70.5 | 67.5 | 62.5 |
| 48- G | 76 | 55.5 | 62.9 | 69.6 | 71.2 | 69.5 | 66.3 | 59.1 |
| 60- N | 79 | 57.5 | 67.0 | 72.0 | 75.0 | 72.5 | 68.0 | 61.0 |

Note: Tested in accordance with AHRI Standard 270-2008 (not listed in AHRI).

| A-Weighted Sound Power Level - With Sound Shield | | | | | | | | |
|--|-----------------------|--|------|------|------|------|------|------|
| Model | Standard Rating (dBA) | TYPICAL OCTAVE BAND SPECTRUM (without tone adjustment) | | | | | | |
| | | 125 | 250 | 500 | 1000 | 2000 | 4000 | 8000 |
| 18- F | 70 | 66.0 | 64.0 | 64.0 | 67.0 | 63.0 | 60.0 | 54.0 |
| 24- G | 74 | 51.1 | 61.3 | 66.6 | 71.2 | 65.0 | 60.0 | 55.6 |
| 30- G | 72 | 51.9 | 59.3 | 64.8 | 67.3 | 65.2 | 61.1 | 54.8 |
| 36- F | 75 | 51.0 | 62.0 | 64.5 | 65.5 | 62.0 | 59.5 | 51.5 |
| 42- N | 77 | 57.5 | 65.0 | 70.5 | 72.0 | 70.0 | 67.0 | 62.0 |
| 48- G | 75 | 55.8 | 62.6 | 69.7 | 70.6 | 68.7 | 65.4 | 58.6 |
| 60- N | 79 | 57.5 | 68.0 | 72.5 | 74.5 | 72.5 | 68.0 | 60.5 |

Note: Tested in accordance with AHRI Standard 270-2008 (not listed in AHRI).

REFRIGERANT CHARGE ADJUSTMENTS

| Liquid Line Size | R- 410A Charge oz/ft |
|------------------|---|
| 3/8 | 0.60 (Factory charge for lineset = 9 oz) |
| 5/16 | 0.40 |
| 1/4 | 0.27 |

Units are factory charged for 15 ft (4.6 m) of 3/8" liquid line. The factory charge for 3/8" lineset 9 oz. When using other length or diameter liquid lines, charge adjustments are required per the chart above.

Charging Formula:

$[(\text{Lineset oz/ft} \times \text{total length}) - (\text{factory charge for lineset})] = \text{charge adjustment}$

Example 1: System has 15 ft of line set using existing 1/4" liquid line. What charge adjustment is required?

Formula: $(.27 \text{ oz/ft} \times 15\text{ft}) - (9 \text{ oz}) = (-4.95) \text{ oz.}$

Net result is to remove 4.95 oz of refrigerant from the system

Example 2: System has 45 ft of existing 5/16" liquid line. What is the charge adjustment?

Formula: $(.40 \text{ oz/ft.} \times 45\text{ft.}) - (9 \text{ oz.}) = 9 \text{ oz.}$

Net result is to add 9 oz of refrigerant to the system

LONG LINE APPLICATIONS

An application is considered Long Line, when the refrigerant level in the system requires the use of accessories to maintain acceptable refrigerant management for systems reliability. See Accessory Usage Guideline table for required accessories. Defining a system as long line depends on the liquid line diameter, actual length of the tubing, and vertical separation between the indoor and outdoor units.

For Air Conditioner systems, the charts below shows when an application requires a TXV and long line accessories due to lineset length.

AC with R-410A Refrigerant Long Line Description ft (m) Beyond these lengths, a TXV is required

| Total Length | Outdoor Unit Above or Below Indoor Unit |
|-------------------------------------|---|
| TXV required beyond 50 ft. (15.2 m) | TXV required beyond 20 ft. (6.1 m) |

AC with R-410A Refrigerant Long Line Description ft (m) (Beyond these lengths, long line accessories are required)

| Liquid Line Size | Units On Same Level | Outdoor Below Indoor | Outdoor Above Indoor |
|------------------|--|--|----------------------|
| 1/4 + TXV | No accessories needed within allowed lengths | No accessories needed within allowed lengths | 175 (53.3) |
| 5/16 + TXV | 120 (36.6) | 50 (15.2) vertical or 120 (36.6) total | 120 (36.6) |
| 3/8 + TXV | 80 (24.4) | 35 (10.7) vertical or 80 (24.4) total | 80 (24.4) |

Note: See Long Line Guideline for details

| R-410A COOLING CAPACITY LOSS FOR VARIOUS LINE LENGTHS & TUBE DIAMETERS | | | | | | | | | | | | | | | |
|--|----------------------|--------------------------------------|--|---------------|---------------|--|----------------|----------------|----------------|----------------|--------------|----------------|----------------|--|--|
| Model Size | Liquid Line in. (mm) | Acceptable Vapor Line Sizes in. (mm) | Cooling Capacity Loss (%) at Total Equivalent Line Length, feet (m) Refer to Long Line Application Guideline to calculate equivalent length | | | | | | | | | | | | |
| | | | Standard Application | | | Long Line Application (Requires Accessories) | | | | | | | | | |
| | | | 25' (7.6) | 50' (15.2) | 80' (24.4) | 81' (24.7) | 100' (30.5) | 125' (38.1) | 150' (45.7) | 175' (53.3) | 200' (61) | 225' (68.6) | 250' (76.2) | | |
| 18 | 3/8 (10) | 1/2 (13) | 1 | 2 | 3 | 3 | 4 | 6 | 7 | 8 | 9 | 10 | 12 | | |
| | | 5/8 (16) | 0 | 0 | 1 | 1 | 1 | 1 | 2 | 2 | 3 | 3 | 3 | | |
| | | 3/4 (19) | 0 | 0 | 0 | 0 | 0 | 1 | 1 | 1 | 1 | 1 | 1 | | |
| 24 | 3/8 (10) | 5/8 (16) | 0 | 1 | 1 | 1 | 2 | 3 | 3 | 4 | 4 | 5 | 6 | | |
| | | 3/4 (19) | 0 | 0 | 0 | 0 | 0 | 1 | 1 | 1 | 1 | 1 | 2 | | |
| | | 7/8 (22) | 0 | 0 | 0 | 0 | 0 | 0 | 0 | 0 | 0 | 0 | 1 | | |
| 30 | 3/8 (10) | 5/8 (16) | 1 | 2 | 3 | 3 | 3 | 4 | 5 | 6 | 7 | 8 | 9 | | |
| | | 3/4 (19) | 0 | 0 | 1 | 1 | 1 | 1 | 2 | 2 | 2 | 3 | 3 | | |
| | | 7/8 (22) | 0 | 0 | 0 | 0 | 0 | 1 | 1 | 1 | 1 | 1 | 1 | | |
| 36 | 3/8 (10) | 5/8 (16) | 1 | 2 | 4 | 4 | 5 | 6 | 7 | 9 | 10 | 11 | 13 | | |
| | | 3/4 (19) | 0 | 0 | 1 | 1 | 1 | 2 | 2 | 3 | 3 | 4 | 4 | | |
| | | 7/8 (22) | 0 | 0 | 0 | 0 | 0 | 1 | 1 | 1 | 1 | 2 | 2 | | |
| 42 | 3/8 (10) | 3/4 (19) | 0 | 1 | 2 | 2 | 2 | 3 | 4 | 4 | 5 | 6 | 6 | | |
| | | 7/8 (22) | 0 | 0 | 1 | 1 | 1 | 1 | 2 | 2 | 2 | 3 | 3 | | |
| | | 1- 1/8 (29) | 0 | 0 | 0 | 0 | 0 | 0 | 0 | 0 | 0 | 0 | 1 | | |
| 48 | 3/8 (10) | 3/4 (19) | 0 | 1 | 2 | 2 | 3 | 4 | 5 | 5 | 6 | 7 | 8 | | |
| | | 7/8 (22) | 0 | 0 | 1 | 1 | 1 | 2 | 2 | 2 | 3 | 3 | 4 | | |
| | | 1- 1/8 (29) | 0 | 0 | 0 | 0 | 0 | 0 | 0 | 0 | 1 | 1 | 1 | | |
| 60 | 3/8 (10) | 3/4 (19) | 1 | 2 | 4 | 4 | 5 | 6 | 7 | 9 | 10 | 11 | 12 | | |
| | | 7/8 (22) | 0 | 1 | 2 | 2 | 2 | 3 | 4 | 4 | 5 | 5 | 6 | | |
| | | 1- 1/8 (29) | 0 | 0 | 0 | 0 | 1 | 1 | 1 | 1 | 1 | 1 | 2 | | |

Consult the Long Line Application Guideline document before purchasing/installing line sets.

Applications in shaded area may have height restrictions that limit allowable total equivalent length when outdoor unit is below indoor unit.

| COOLING PERFORMANCE FOR COMBINATION RATINGS Indoor Models | | | | | | | | |
|--|------------------|---------------|-----------------------|-------------------|------|-------|--|-------|
| For complete ratings information, use the AHRI website directory search: www.AHRIdirectory.org . New ratings may be listed online before Specification Sheets are updated. | | | | | | | | |
| Unit Size Series | Indoor Model | Furnace Model | AHRI Standard Ratings | | | | | |
| | | | Cooling 95° F (35° C) | | | | | |
| | | | Capacity | Factory Installed | SEER | | | EER |
| Standard | W/ Field TDR | Piston | | | | | | |
| N4A318*KF | EN(A,D)4X24L14** | | 17,800 | TXV | | 13.00 | | 11.00 |
| N4A324*KG | EN(A,D)4X24L14** | | 23,000 | TXV | | 13.00 | | 11.00 |
| N4A330*KG | EN(A,D)4X31L17** | | 27,800 | TXV | | 13.00 | | 11.00 |
| N4A336*KF | EA*4X37L21A* | | 34,200 | TXV | | 13.00 | | 11.00 |
| N4A342*KN | EA*4X42L21A* | | 41,000 | TXV | | 13.00 | | 11.00 |
| N4A348*KG | EA*4X48L17A* | | 44,500 | TXV | | 13.00 | | 11.00 |
| N4A360*KN | EA*4X60L24A* | | 57,500 | TXV | | 13.00 | | 11.00 |

* A = 2" (51mm) spacing inlet grille, G = 3/8" (10mm) spacing inlet grille

TESTED AHRI COMBINATION RATINGS*

NOTE: Ratings contained in this document are subject to change at any time.

For AHRI ratings certificates, please refer to the AHRI directory. www.ahridirectory.org

Additional ratings and system combinations can be accessed via the Day and Night database:

<http://www.icpeqp.com/AHRIratings/ratings.aspx?Brand=DayAndNight>

Or scan this QR code:



COOLING PERFORMANCE RATINGS For Outdoor / Indoor Models

For complete ratings information, use the AHRI website directory search: www.AHRIdirectory.org.
New ratings may be listed online before Specification Sheets are updated.

| EVAPORATOR AIR | | CONDENSER ENTERING AIR TEMPERATURES deg F | | | | | | | | | | | | | | |
|---|-----|---|-------|-----------------|----------------|-------|-----------------|----------------|-------|-----------------|----------------|-------|-----------------|-------|-------|-----------------|
| | | 75 | | Total System KW | 85 | | Total System KW | 95 | | Total System KW | 105 | | Total System KW | 115 | | Total System KW |
| | | Capacity MBtuh | | | Capacity MBtuh | | | Capacity MBtuh | | | Capacity MBtuh | | | | | |
| CFM | EWB | Total | Sens | Total | Sens | Total | Sens | Total | Sens | Total | Sens | Total | Sens | Total | Sens | |
| N4A318(A,G)KF* Series Outdoor Section With EN*4X24L14A* Indoor Section | | | | | | | | | | | | | | | | |
| 525 | 57 | 17.47 | 17.47 | 1.30 | 16.77 | 16.77 | 1.44 | 16.08 | 16.08 | 1.60 | 15.34 | 15.34 | 1.79 | 14.56 | 14.56 | 2.02 |
| | 62 | 17.76 | 16.72 | 1.29 | 16.97 | 16.34 | 1.44 | 16.16 | 15.93 | 1.60 | 15.36 | 15.36 | 1.79 | 14.58 | 14.58 | 2.02 |
| | 63 | 18.04 | 16.20 | 1.29 | 17.23 | 15.83 | 1.44 | 16.39 | 15.44 | 1.60 | 15.49 | 15.02 | 1.79 | 14.60 | 14.56 | 2.02 |
| | 67 | 19.33 | 14.06 | 1.28 | 18.52 | 13.17 | 1.43 | 17.62 | 13.36 | 1.60 | 16.64 | 12.96 | 1.79 | 15.65 | 12.56 | 2.02 |
| | 72 | 21.21 | 11.38 | 1.27 | 20.31 | 11.05 | 1.42 | 19.41 | 10.71 | 1.59 | 18.37 | 10.33 | 1.78 | 17.33 | 9.96 | 2.02 |
| 600 | 57 | 18.12 | 18.12 | 1.32 | 17.44 | 17.44 | 1.47 | 16.72 | 16.72 | 1.63 | 15.93 | 15.93 | 1.82 | 15.12 | 15.12 | 2.05 |
| | 62 | 18.19 | 18.01 | 1.32 | 17.54 | 17.28 | 1.46 | 16.74 | 16.74 | 1.63 | 15.96 | 15.96 | 1.82 | 15.14 | 15.14 | 2.05 |
| | 63 | 18.40 | 17.43 | 1.32 | 17.61 | 17.05 | 1.46 | 16.77 | 16.64 | 1.63 | 15.96 | 15.96 | 1.82 | 15.14 | 15.14 | 2.05 |
| | 67 | 19.17 | 15.05 | 1.31 | 18.81 | 14.68 | 1.46 | 17.90 | 14.32 | 1.63 | 16.89 | 13.92 | 1.82 | 15.88 | 13.52 | 2.05 |
| | 72 | 21.47 | 11.95 | 1.30 | 20.62 | 11.65 | 1.45 | 19.68 | 11.30 | 1.62 | 18.64 | 10.93 | 1.81 | 17.55 | 10.55 | 2.05 |
| 675 | 57 | 18.70 | 18.70 | 1.34 | 18.00 | 18.00 | 1.49 | 17.24 | 17.24 | 1.66 | 16.41 | 16.41 | 1.85 | 15.57 | 15.57 | 2.08 |
| | 62 | 18.71 | 18.71 | 1.34 | 18.02 | 18.02 | 1.49 | 17.26 | 17.26 | 1.66 | 16.44 | 16.44 | 1.85 | 15.59 | 15.59 | 2.08 |
| | 63 | 18.79 | 18.56 | 1.35 | 18.02 | 18.02 | 1.49 | 17.27 | 17.27 | 1.66 | 16.44 | 16.44 | 1.85 | 15.60 | 15.60 | 2.08 |
| | 67 | 19.88 | 15.95 | 1.34 | 19.03 | 15.61 | 1.49 | 18.11 | 15.24 | 1.66 | 17.08 | 14.83 | 1.85 | 16.07 | 14.43 | 2.08 |
| | 72 | 21.70 | 12.53 | 1.33 | 20.81 | 12.21 | 1.48 | 19.86 | 11.87 | 1.65 | 18.78 | 11.49 | 1.84 | 17.62 | 11.09 | 2.06 |
| N4A324(A,G)KG* Series Outdoor Section With EN(A,D)4X24L14** Indoor Section | | | | | | | | | | | | | | | | |
| 700 | 72 | 27.00 | 13.49 | 1.54 | 26.00 | 13.12 | 1.78 | 24.88 | 12.71 | 2.05 | 23.60 | 12.25 | 2.37 | 22.20 | 11.77 | 2.74 |
| | 67 | 24.70 | 16.72 | 1.54 | 23.76 | 16.33 | 1.78 | 22.68 | 15.90 | 2.05 | 21.51 | 15.44 | 2.37 | 20.23 | 14.95 | 2.74 |
| | 63 | 23.00 | 16.10 | 1.55 | 22.07 | 15.69 | 1.78 | 21.07 | 15.26 | 2.06 | 19.97 | 14.80 | 2.37 | 18.77 | 14.30 | 2.75 |
| | 62 | 22.70 | 19.89 | 1.55 | 21.81 | 19.46 | 1.78 | 20.88 | 18.99 | 2.06 | 19.95 | 19.95 | 2.37 | 18.98 | 18.98 | 2.75 |
| | 57 | 22.29 | 22.29 | 1.55 | 21.58 | 21.58 | 1.78 | 20.79 | 20.79 | 2.06 | 19.92 | 19.92 | 2.37 | 18.96 | 18.96 | 2.75 |
| 800 | 72 | 27.39 | 14.17 | 1.57 | 26.35 | 13.79 | 1.81 | 25.20 | 13.38 | 2.09 | 23.87 | 12.92 | 2.41 | 22.42 | 12.43 | 2.78 |
| | 67 | 25.08 | 17.82 | 1.58 | 24.11 | 17.43 | 1.82 | 23.00 | 17.00 | 2.09 | 21.79 | 16.53 | 2.41 | 20.47 | 16.03 | 2.78 |
| | 63 | 23.39 | 17.14 | 1.58 | 22.43 | 16.72 | 1.82 | 21.39 | 16.28 | 2.09 | 20.26 | 15.81 | 2.41 | 19.02 | 15.30 | 2.79 |
| | 62 | 23.24 | 21.32 | 1.58 | 22.43 | 22.43 | 1.82 | 21.59 | 21.59 | 2.09 | 20.66 | 20.66 | 2.41 | 19.62 | 19.62 | 2.79 |
| | 57 | 23.16 | 23.16 | 1.58 | 22.40 | 22.40 | 1.82 | 21.56 | 21.56 | 2.09 | 20.63 | 20.63 | 2.41 | 19.60 | 19.60 | 2.79 |
| 900 | 72 | 27.66 | 14.81 | 1.61 | 26.59 | 14.43 | 1.85 | 25.41 | 14.02 | 2.13 | 24.05 | 13.56 | 2.45 | 22.57 | 13.06 | 2.82 |
| | 67 | 25.36 | 18.88 | 1.61 | 24.37 | 18.49 | 1.85 | 23.24 | 18.05 | 2.13 | 22.00 | 17.57 | 2.45 | 20.65 | 17.05 | 2.82 |
| | 63 | 23.67 | 18.11 | 1.62 | 22.70 | 17.70 | 1.85 | 21.63 | 17.25 | 2.13 | 20.47 | 16.77 | 2.45 | 19.21 | 16.24 | 2.83 |
| | 62 | 23.89 | 23.89 | 1.62 | 23.10 | 23.10 | 1.85 | 22.21 | 22.21 | 2.13 | 21.22 | 21.22 | 2.45 | 20.13 | 20.13 | 2.83 |
| | 57 | 23.86 | 23.86 | 1.62 | 23.07 | 23.07 | 1.85 | 22.18 | 22.18 | 2.13 | 21.20 | 21.20 | 2.45 | 20.11 | 20.11 | 2.83 |
| N4A330(A,G)KG* Series Outdoor Section With EN(A,D)4X31L17** Indoor Section | | | | | | | | | | | | | | | | |
| 875 | 72 | 33.22 | 16.91 | 2.06 | 31.69 | 16.39 | 2.26 | 30.06 | 15.84 | 2.50 | 28.48 | 15.31 | 2.77 | 27.41 | 14.95 | 3.12 |
| | 67 | 30.28 | 21.08 | 2.05 | 28.91 | 20.56 | 2.25 | 27.54 | 20.04 | 2.49 | 26.13 | 19.52 | 2.76 | 24.98 | 19.08 | 3.10 |
| | 63 | 28.16 | 20.25 | 2.04 | 27.05 | 19.80 | 2.25 | 25.78 | 19.28 | 2.49 | 24.46 | 18.76 | 2.76 | 22.86 | 18.13 | 3.08 |
| | 62 | 28.07 | 25.27 | 2.05 | 26.80 | 26.56 | 2.25 | 25.71 | 25.71 | 2.48 | 24.60 | 24.60 | 2.76 | 23.29 | 23.29 | 3.08 |
| | 57 | 27.67 | 27.67 | 2.04 | 26.71 | 26.71 | 2.25 | 25.67 | 25.67 | 2.48 | 24.55 | 24.55 | 2.76 | 23.26 | 23.26 | 3.08 |
| 970 | 72 | 33.81 | 17.69 | 2.10 | 32.00 | 17.08 | 2.30 | 30.30 | 16.51 | 2.53 | 28.71 | 15.99 | 2.81 | 27.49 | 15.59 | 3.14 |
| | 67 | 30.64 | 22.21 | 2.09 | 29.20 | 21.67 | 2.29 | 27.80 | 21.15 | 2.53 | 26.35 | 20.61 | 2.80 | 25.09 | 20.14 | 3.13 |
| | 63 | 28.55 | 21.32 | 2.08 | 27.34 | 20.83 | 2.29 | 26.03 | 20.31 | 2.52 | 24.67 | 19.76 | 2.79 | 23.13 | 19.14 | 3.11 |
| | 62 | 28.67 | 28.67 | 2.09 | 27.47 | 27.47 | 2.29 | 26.36 | 26.36 | 2.52 | 25.20 | 25.20 | 2.80 | 24.14 | 24.14 | 3.14 |
| | 57 | 28.57 | 28.57 | 2.09 | 27.43 | 27.43 | 2.29 | 26.33 | 26.33 | 2.52 | 25.14 | 25.14 | 2.79 | 24.21 | 24.21 | 3.13 |
| 1125 | 72 | 34.10 | 18.74 | 2.16 | 32.36 | 18.17 | 2.36 | 30.60 | 17.59 | 2.60 | 28.93 | 17.05 | 2.87 | 27.70 | 16.66 | 3.20 |
| | 67 | 31.10 | 23.99 | 2.15 | 29.57 | 23.42 | 2.36 | 28.11 | 22.88 | 2.59 | 26.63 | 22.32 | 2.86 | 25.46 | 21.89 | 3.21 |
| | 63 | 29.25 | 23.06 | 2.15 | 27.68 | 22.44 | 2.35 | 26.34 | 21.90 | 2.59 | 24.91 | 21.33 | 2.86 | 23.65 | 20.80 | 3.19 |
| | 62 | 29.57 | 29.57 | 2.15 | 28.41 | 28.41 | 2.35 | 27.20 | 27.20 | 2.59 | 25.99 | 25.99 | 2.86 | 25.03 | 25.03 | 3.20 |
| | 57 | 29.57 | 29.57 | 2.15 | 28.38 | 28.38 | 2.35 | 27.20 | 27.20 | 2.59 | 25.95 | 25.95 | 2.86 | 24.99 | 24.99 | 3.20 |

| EVAPORATOR AIR | | CONDENSER ENTERING AIR TEMPERATURES deg F | | | | | | | | | | | | | | |
|---|-----|---|-------|-----------------|----------------|-------|-----------------|----------------|-------|-----------------|----------------|-------|-----------------|----------------|-------|-----------------|
| | | 75 | | | 85 | | | 95 | | | 105 | | | 115 | | |
| | | Capacity MBtuh | | Total System KW | Capacity MBtuh | | Total System KW | Capacity MBtuh | | Total System KW | Capacity MBtuh | | Total System KW | Capacity MBtuh | | Total System KW |
| CFM | EWB | Total | Sens | | Total | Sens | | Total | Sens | | Total | Sens | | Total | Sens | |
| N4A336(A,G)KF* Series Outdoor Section With EA*4X37L21A* Indoor Section | | | | | | | | | | | | | | | | |
| 1050 | 72 | 41.02 | 21.66 | 2.54 | 39.40 | 21.07 | 2.83 | 37.67 | 20.45 | 3.14 | 35.71 | 19.75 | 3.48 | 33.44 | 18.95 | 3.91 |
| | 67 | 37.34 | 26.81 | 2.53 | 35.82 | 26.20 | 2.81 | 34.20 | 25.55 | 3.11 | 32.39 | 24.83 | 3.45 | 30.24 | 23.98 | 3.87 |
| | 63 | 34.68 | 25.78 | 2.53 | 33.23 | 25.15 | 2.81 | 31.71 | 24.49 | 3.10 | 29.97 | 23.75 | 3.44 | 27.94 | 22.89 | 3.85 |
| | 62 | 34.09 | 31.81 | 2.53 | 32.69 | 31.14 | 2.81 | 31.25 | 31.03 | 3.10 | 29.79 | 29.79 | 3.44 | 28.17 | 28.17 | 3.85 |
| | 57 | 33.44 | 33.44 | 2.53 | 32.31 | 32.31 | 2.81 | 31.10 | 31.10 | 3.10 | 29.74 | 29.74 | 3.43 | 28.12 | 28.12 | 3.85 |
| 1200 | 72 | 41.67 | 22.87 | 2.60 | 40.00 | 22.28 | 2.90 | 38.19 | 21.64 | 3.21 | 36.16 | 20.93 | 3.56 | 33.84 | 20.12 | 3.98 |
| | 67 | 37.97 | 28.72 | 2.59 | 36.42 | 28.10 | 2.88 | 34.74 | 27.44 | 3.18 | 32.86 | 26.71 | 3.52 | 30.66 | 25.85 | 3.93 |
| | 63 | 35.32 | 27.56 | 2.59 | 33.82 | 26.92 | 2.87 | 32.24 | 26.25 | 3.17 | 30.45 | 25.49 | 3.50 | 28.36 | 24.62 | 3.92 |
| | 62 | 35.04 | 34.70 | 2.59 | 33.72 | 33.72 | 2.87 | 32.44 | 32.44 | 3.16 | 30.99 | 30.99 | 3.50 | 29.26 | 29.26 | 3.92 |
| | 57 | 34.87 | 34.87 | 2.59 | 33.67 | 33.67 | 2.87 | 32.39 | 32.39 | 3.16 | 30.95 | 30.95 | 3.50 | 29.22 | 29.22 | 3.92 |
| 1350 | 72 | 42.14 | 24.02 | 2.67 | 40.41 | 23.42 | 2.97 | 38.56 | 22.78 | 3.28 | 36.48 | 22.06 | 3.63 | 34.10 | 21.25 | 4.05 |
| | 67 | 38.45 | 30.58 | 2.65 | 36.85 | 29.95 | 2.94 | 35.14 | 29.28 | 3.24 | 33.22 | 28.53 | 3.58 | 30.99 | 27.65 | 4.00 |
| | 63 | 35.80 | 29.28 | 2.65 | 34.26 | 28.63 | 2.93 | 32.63 | 27.95 | 3.23 | 30.83 | 27.19 | 3.57 | 28.68 | 26.27 | 3.98 |
| | 62 | 36.12 | 36.12 | 2.65 | 34.86 | 34.86 | 2.93 | 33.50 | 33.50 | 3.23 | 31.98 | 31.98 | 3.57 | 30.16 | 30.16 | 3.99 |
| | 57 | 36.07 | 36.07 | 2.65 | 34.81 | 34.81 | 2.93 | 33.45 | 33.45 | 3.23 | 31.94 | 31.94 | 3.57 | 30.12 | 30.12 | 3.99 |
| N4A342(A,G)KN* Series Outdoor Section With EA*4X42L21A* Indoor Section | | | | | | | | | | | | | | | | |
| 1225 | 72 | 48.65 | 25.59 | 3.45 | 46.41 | 24.73 | 3.68 | 44.15 | 23.88 | 4.08 | 41.78 | 23.00 | 4.51 | 39.23 | 22.06 | 4.99 |
| | 67 | 44.62 | 31.50 | 3.40 | 42.55 | 30.62 | 3.66 | 40.47 | 29.75 | 4.06 | 38.27 | 28.85 | 4.50 | 35.92 | 27.90 | 4.98 |
| | 63 | 41.68 | 30.56 | 3.35 | 39.82 | 29.72 | 3.70 | 37.85 | 28.84 | 4.08 | 35.76 | 27.91 | 4.51 | 33.53 | 26.94 | 4.97 |
| | 62 | 40.98 | 37.36 | 3.35 | 39.11 | 36.47 | 3.65 | 37.25 | 35.56 | 4.04 | 35.32 | 34.59 | 4.48 | 33.39 | 33.39 | 4.97 |
| | 57 | 39.89 | 39.89 | 3.33 | 38.36 | 38.36 | 3.64 | 36.82 | 36.82 | 4.04 | 35.18 | 35.18 | 4.48 | 33.40 | 33.40 | 4.97 |
| 1400 | 72 | 49.36 | 26.72 | 3.54 | 47.04 | 25.86 | 3.76 | 44.69 | 24.99 | 4.15 | 42.24 | 24.10 | 4.59 | 39.60 | 23.15 | 5.06 |
| | 67 | 45.32 | 33.35 | 3.48 | 43.17 | 32.47 | 3.74 | 41.00 | 31.58 | 4.13 | 38.74 | 30.68 | 4.57 | 36.32 | 29.72 | 5.05 |
| | 63 | 42.37 | 32.31 | 3.44 | 40.44 | 31.45 | 3.79 | 38.40 | 30.56 | 4.17 | 36.25 | 29.64 | 4.59 | 33.95 | 28.65 | 5.06 |
| | 62 | 41.84 | 39.94 | 3.43 | 39.95 | 38.98 | 3.73 | 38.08 | 38.08 | 4.12 | 36.38 | 36.38 | 4.56 | 34.49 | 34.49 | 5.05 |
| | 57 | 41.42 | 41.42 | 3.43 | 39.79 | 39.79 | 3.72 | 38.14 | 38.14 | 4.12 | 36.39 | 36.39 | 4.56 | 34.49 | 34.49 | 5.05 |
| 1575 | 72 | 49.90 | 27.82 | 3.62 | 47.50 | 26.94 | 3.84 | 45.08 | 26.07 | 4.23 | 42.57 | 25.17 | 4.66 | 39.86 | 24.21 | 5.14 |
| | 67 | 45.85 | 35.16 | 3.57 | 43.63 | 34.27 | 3.82 | 41.41 | 33.39 | 4.21 | 39.10 | 32.47 | 4.65 | 36.63 | 31.49 | 5.13 |
| | 63 | 42.90 | 34.01 | 3.52 | 40.92 | 33.16 | 3.87 | 38.83 | 32.26 | 4.25 | 36.63 | 31.32 | 4.68 | 34.28 | 30.31 | 5.14 |
| | 62 | 42.68 | 42.28 | 3.52 | 40.93 | 40.93 | 3.80 | 39.20 | 39.20 | 4.20 | 37.35 | 37.35 | 4.64 | 35.35 | 35.35 | 5.12 |
| | 57 | 42.66 | 42.66 | 3.52 | 40.94 | 40.94 | 3.80 | 39.20 | 39.20 | 4.20 | 37.35 | 37.35 | 4.64 | 35.35 | 35.35 | 5.12 |
| N4A348(A,G)KG* Series Outdoor Section With EA*4X48L17A* Indoor Section | | | | | | | | | | | | | | | | |
| 1275 | 72 | 53.87 | 27.47 | 3.18 | 51.45 | 26.27 | 3.59 | 48.92 | 25.05 | 4.07 | 46.25 | 23.82 | 4.61 | 43.41 | 22.56 | 5.21 |
| | 67 | 49.06 | 33.61 | 3.16 | 46.83 | 32.31 | 3.56 | 44.50 | 31.00 | 4.05 | 42.04 | 29.66 | 4.59 | 39.41 | 28.30 | 5.19 |
| | 63 | 45.60 | 32.39 | 3.14 | 43.53 | 31.11 | 3.55 | 41.33 | 29.80 | 4.03 | 39.02 | 28.47 | 4.57 | 36.55 | 27.11 | 5.18 |
| | 62 | 44.79 | 39.62 | 3.14 | 42.76 | 38.21 | 3.55 | 40.64 | 36.76 | 4.02 | 38.42 | 35.26 | 4.57 | 36.16 | 36.16 | 5.17 |
| | 57 | 43.29 | 43.29 | 3.13 | 41.65 | 41.65 | 3.54 | 39.91 | 39.91 | 4.02 | 38.08 | 38.08 | 4.56 | 36.11 | 36.11 | 5.17 |
| 1425 | 72 | 54.71 | 28.64 | 3.23 | 52.22 | 27.41 | 3.65 | 49.58 | 26.17 | 4.13 | 46.83 | 24.91 | 4.67 | 43.91 | 23.63 | 5.28 |
| | 67 | 49.84 | 35.47 | 3.22 | 47.54 | 34.13 | 3.63 | 45.12 | 32.78 | 4.11 | 42.58 | 31.40 | 4.65 | 39.90 | 29.99 | 5.26 |
| | 63 | 46.35 | 34.12 | 3.21 | 44.20 | 32.79 | 3.61 | 41.94 | 31.45 | 4.09 | 39.55 | 30.08 | 4.64 | 37.02 | 28.68 | 5.24 |
| | 62 | 45.62 | 42.07 | 3.20 | 43.55 | 40.56 | 3.61 | 41.43 | 41.12 | 4.09 | 39.37 | 39.37 | 4.63 | 37.29 | 37.29 | 5.24 |
| | 57 | 44.80 | 44.80 | 3.20 | 43.09 | 43.09 | 3.61 | 41.25 | 41.25 | 4.09 | 39.31 | 39.31 | 4.63 | 37.24 | 37.24 | 5.24 |
| 1575 | 72 | 55.37 | 29.76 | 3.29 | 52.79 | 28.51 | 3.71 | 50.09 | 27.24 | 4.19 | 47.26 | 25.96 | 4.74 | 44.27 | 24.65 | 5.34 |
| | 67 | 50.46 | 37.27 | 3.28 | 48.09 | 35.89 | 3.69 | 45.61 | 34.49 | 4.17 | 43.01 | 33.08 | 4.71 | 40.26 | 31.63 | 5.32 |
| | 63 | 46.96 | 35.79 | 3.27 | 44.74 | 34.42 | 3.67 | 42.42 | 33.04 | 4.15 | 39.97 | 31.63 | 4.70 | 37.38 | 30.19 | 5.30 |
| | 62 | 46.40 | 44.30 | 3.26 | 44.37 | 44.37 | 3.67 | 42.45 | 42.45 | 4.15 | 40.42 | 40.42 | 4.70 | 38.25 | 38.25 | 5.31 |
| | 57 | 46.10 | 46.10 | 3.26 | 44.30 | 44.30 | 3.67 | 42.39 | 42.39 | 4.15 | 40.36 | 40.36 | 4.70 | 38.20 | 38.20 | 5.31 |

| EVAPORATOR AIR | | CONDENSER ENTERING AIR TEMPERATURES deg F | | | | | | | | | | | | | | | | | | | |
|---|-----|---|-------|------------------|----------------|-------|------------------|----------------|-------|------------------|----------------|-------|------------------|----------------|-------|------------------|-------|------|--|--|--|
| | | 75 | | | | 85 | | | | 95 | | | | 105 | | | | 115 | | | |
| | | Capacity MBtuh | | Total Sys-tem KW | Capacity MBtuh | | Total Sys-tem KW | Capacity MBtuh | | Total Sys-tem KW | Capacity MBtuh | | Total Sys-tem KW | Capacity MBtuh | | Total Sys-tem KW | | | | | |
| CFM | EWB | Total | Sens | | Total | Sens | | Total | Sens | | Total | Sens | | Total | Sens | | Total | Sens | | | |
| N4A360(A,G)KN* Series Outdoor Section With EA*4X60*24A* Indoor Section | | | | | | | | | | | | | | | | | | | | | |
| 1750 | 72 | 68.71 | 34.82 | 4.37 | 65.76 | 33.74 | 4.81 | 62.59 | 32.60 | 5.30 | 59.21 | 31.39 | 5.84 | 55.54 | 30.09 | 6.42 | | | | | |
| | 67 | 63.16 | 43.00 | 4.29 | 60.43 | 41.90 | 4.74 | 57.50 | 40.73 | 5.23 | 54.39 | 39.50 | 5.77 | 51.03 | 38.20 | 6.36 | | | | | |
| | 63 | 59.15 | 41.80 | 4.24 | 56.59 | 40.69 | 4.68 | 53.84 | 39.50 | 5.18 | 50.92 | 38.26 | 5.72 | 47.79 | 36.96 | 6.31 | | | | | |
| | 62 | 58.14 | 51.13 | 4.23 | 55.65 | 49.99 | 4.67 | 53.01 | 48.77 | 5.16 | 50.27 | 47.45 | 5.71 | 47.55 | 47.55 | 6.31 | | | | | |
| | 57 | 56.63 | 56.63 | 4.21 | 54.60 | 54.60 | 4.66 | 52.42 | 52.42 | 5.16 | 50.09 | 50.09 | 5.71 | 47.55 | 47.55 | 6.31 | | | | | |
| 2000 | 72 | 69.71 | 36.45 | 4.48 | 66.67 | 35.37 | 4.92 | 63.38 | 34.20 | 5.41 | 59.88 | 32.98 | 5.95 | 56.07 | 31.67 | 6.53 | | | | | |
| | 67 | 64.15 | 45.67 | 4.40 | 61.31 | 44.55 | 4.85 | 58.27 | 43.36 | 5.34 | 55.05 | 42.13 | 5.87 | 51.58 | 40.80 | 6.46 | | | | | |
| | 63 | 60.14 | 44.30 | 4.35 | 57.47 | 43.18 | 4.79 | 54.61 | 41.98 | 5.28 | 51.60 | 40.73 | 5.82 | 48.36 | 39.39 | 6.42 | | | | | |
| | 62 | 59.33 | 54.75 | 4.34 | 56.80 | 53.54 | 4.78 | 54.23 | 54.23 | 5.28 | 51.77 | 51.77 | 5.83 | 49.05 | 49.05 | 6.42 | | | | | |
| | 57 | 58.75 | 58.75 | 4.33 | 56.59 | 56.59 | 4.78 | 54.26 | 54.26 | 5.28 | 51.77 | 51.77 | 5.83 | 49.05 | 49.05 | 6.42 | | | | | |
| 2250 | 72 | 70.44 | 37.99 | 4.59 | 67.31 | 36.90 | 5.03 | 63.93 | 35.73 | 5.52 | 60.33 | 34.49 | 6.05 | 56.41 | 33.16 | 6.63 | | | | | |
| | 67 | 64.85 | 48.20 | 4.51 | 61.94 | 47.09 | 4.95 | 58.82 | 45.89 | 5.44 | 55.52 | 44.63 | 5.98 | 51.96 | 43.27 | 6.56 | | | | | |
| | 63 | 60.84 | 46.68 | 4.45 | 58.11 | 45.56 | 4.90 | 55.17 | 44.34 | 5.39 | 52.08 | 43.07 | 5.93 | 48.77 | 41.69 | 6.52 | | | | | |
| | 62 | 60.44 | 60.44 | 4.45 | 58.18 | 58.18 | 4.90 | 55.72 | 55.72 | 5.40 | 53.10 | 53.10 | 5.94 | 50.23 | 50.23 | 6.54 | | | | | |
| | 57 | 60.47 | 60.47 | 4.45 | 58.19 | 58.19 | 4.90 | 55.73 | 55.73 | 5.40 | 53.10 | 53.10 | 5.94 | 50.23 | 50.23 | 6.54 | | | | | |

Total sensible capacities are based on net capacities. Blower heat has been subtracted.

Sensible capacities shown are based on 80° F (27° C) entering air at the indoor coil. For sensible capacities at other than 80° F (27° C), deduct 835 Btuh (245 kW) per 1000 CFM (480 L/S) of indoor coil air for each degree below 80° F (27° C), or add 835 Btuh (245 kW) per 1000 CFM (480 L/S) of indoor coil air per degree above 80° F (27° C).

Detailed cooling and heating capacities are based on indoor and outdoor unit at the same elevation per AHRI standard 210/240 -2008. If additional tubing length is required and/or indoor unit is located above outdoor unit, a slight variation in capacity may occur.

System kw is total of indoor and outdoor unit kilowatts.

| ACCESSORY USAGE GUIDELINES | | |
|------------------------------------|--|--|
| Accessory | REQUIRED FOR LOW- AMBIENT APPLICATIONS {Below 55°F (13°C)} | REQUIRED FOR LONG- LINE APPLICATIONS* |
| Crankcase Heater | Yes | Yes |
| Evaporator Freeze Thermostat | Yes | No |
| Winter Start Control | Yes** | No |
| TXV | Yes | Yes‡ |
| Hard Start Kit (Capacitor & Relay) | Yes | Yes |
| Low Ambient Kit (Pressure Switch) | Yes | No |
| Support Feet, 4" (102mm) tall | Recommended | No |
| Liquid Line Solenoid Valve | No | See Long- Line Application Guideline |

* Refer to the Long Line Application Guideline document.

** Can only be installed in conjunction with the Low Pressure Switch

‡ TXV required beyond 20 ft (6.1m) vertical separation or 50 ft (15.2) total length.

| ACCESSORIES | | |
|-------------|---|-----------------------|
| Part Number | Description | Used On Model Size |
| NASA003CH | Crankcase Heater for Scroll Compressor (208/230V) | 18, 24, 30, 36 |
| NASA001CH | Crankcase Heater for Scroll Compressor (208/230V) | 42, 48, 60 |
| NASA003SC | Hard Start Kit (Capacitor & Relay) | ALL |
| NASA00201FS | Evaporator Freeze Thermostat | ALL |
| NASA403PS | Low Pressure Switch, AC, R- 410A | ALL |
| NASA404PS | High Pressure Switch, AC or HP, R- 410A | ALL |
| NASA001LS | Liquid Line Solenoid Valve, R- 410A | ALL |
| NASA001TD | Time Delay Relay, Indoor Blower | ALL |
| NASA00201WS | Winter Start Control | ALL |
| NASA001AC | Anti- Cycle Timer (5 minute delay) | ALL |
| NASA401LA | Low Ambient Kit (Pressure Switch), R- 410A | ALL |
| NASA00201SF | Support Feet, 4" (102mm) tall (5 blocks) | 18, 24, 30 |
| NASA001SF | Support Feet, 4" (102mm) tall (4 blocks) | 36, 42, 48, 60 |
| NASA00301SJ | Sound Jacket, Compressor | 18, 24, 36 |
| NASA00201SJ | Sound Jacket, Compressor | 30, 42, 48 |
| NASA00101SJ | Sound Jacket, Compressor | 60 |
| NAEA40501TX | TXV Kit, R- 410A - for use with copper or tin fan coils | 18, 24 |
| NAEA40601TX | TXV Kit, R- 410A - for use with copper or tin fan coils | 30, 36, 42 |
| NAEA40701TX | TXV Kit, R- 410A - for use with copper or tin fan coils | 48, 60 |
| NAEB40501TX | TXV Kit, R- 410A - for use with aluminum coils | 18, 24 |
| NAEB40601TX | TXV Kit, R- 410A - for use with aluminum coils | 30, 36, 42 |
| NAEB40701TX | TXV Kit, R- 410A - for use with aluminum coils | 48, 60 |