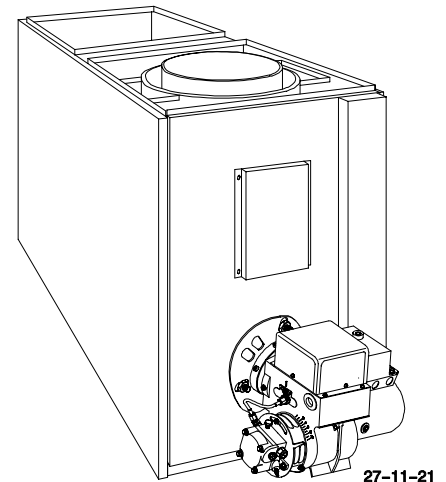
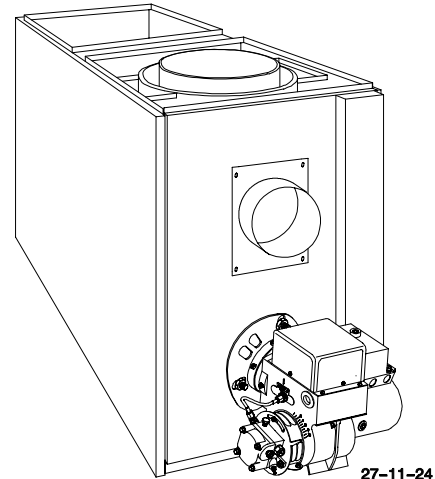


## Standard Equipment

- **Fan Control Switch** - for continuous speed.
- **Accessory terminals** - prewired for easy add-on electronic air cleaner and power humidifier. Air conditioning ready for easy add-on.
- **Large external front clean out** - for easy cleaning.
- **Clean out** - sealed from blower compartment (no soot to spread).
- **Easy Access** - control panel.
- **Furnaces** - are available with your choice of high efficiency burners. (Burners ordered and shipped separately)
- **“Easy Access” heat exchanger** - manufactured from heavy gauge steel.
- **Multi-Speed Direct Drive Motors** - permanently lubricated for long life performance.
- **Heavy-duty insulated cabinet** - for quiet operation.
- **Approved for 1” clearance to combustibles** - for tight installations.
- **Ceramic combustion chamber** - withstands temperature of 2600° F with unique “self aligning” design.
- **Precision balanced blower** - ensures quiet, efficient air distribution.
- **Raised cabinet base** - allows air to circulate under the cabinet. Eliminates dampness.
- **Approved** - For Direct Vent application.
- **Efficient** - Up to 81% AFUE.
- **Warranty** - Limited lifetime on heat exchanger, three(3) years on burner and one(1) year on other parts.



Representative only, some models may vary in appearance.

■ Indicates change since last printing.



9800161  
CERTIFE/CERTIFIED TO  
CAN/CSA B140.4



9800161  
CONFORM TO  
UL Std. 727

## FURNACE SPECIFICATIONS

Model: OLR/F	OLR105A12A				OLR160B20A			OLF105A12A			
<b>Rating and Performance</b>											
Firing Rate	.50	.63	.75	.72	.85	.97	1.14	.50	.63	.75	.72
Pump Pressure (PSIG)	100	156	156	145	130	130	130	100	156	156	145
Input (BTUh)	70,000	88,200	105,000	100,800	119,000	135,800	159,600	70,000	88,200	105,000	100,800
Heating capacity, chimney installation (BTUh)	59,200	73,000	88,200	NA	99,000	111,000	129,000	59,200	73,000	87,800	NA
Heating capacity, side-wall installation (BTUh)	59,400	73,200	88,200	84,200	97,000	110,000	127,000	59,400	73,200	88,200	84,200
Minimum-maximum Temperature Rise	52° - 75° F				50° - 80° F			52° - 75° F			
Stack draft, (Chimney),(Side-wall)	(-0.035 to -0.06) (0.04 to 0.16)				(-0.035 to -0.06) (0.04 to 0.22)			(-0.035 to -0.06) (0.04 to 0.16)			
Overfire pressure, (Chimney),(Side-wall)	(0.00 to +0.035) (+0.10 to +0.04)				(0.00 to +0.04) (+0.10 to +0.25)			(0.00 to +0.04) (+0.10 to +0.25)			
<b>Beckett Burner, Chimney Installation</b>											
	AFG-F0				AFG-F3			AFG-F0			
Low firing rate baffle	Yes	Yes	No	NA	No	No	No	Yes	Yes	No	NA
Static disc. model	2 <sup>3</sup> / <sub>4</sub> #3383				2 <sup>3</sup> / <sub>4</sub> #3383			2 <sup>3</sup> / <sub>4</sub> #3383			
Nozzle (Delavan)	0.50-70A		0.60-70B	NA	0.75-70B	0.85-70B	1.00-70B	0.50-70A		0.60-70B	NA
Combustion air adjustment(shutter/band)	4.5/0	8/0	7.5/0	NA	5/0	6.5/0	10/0	4.5/0	8/0	7.5/0	NA
<b>Riello Burner, Chimney Installation</b>											
	40-F3				40-F5			40-F3			
Nozzle (Delavan)	NA	0.50-60A	0.60-60A	NA	0.75-70B	0.85-70B	1.00-70B	NA	0.50-60A	0.60-60A	NA
Combustion air adjustment (turbulator/damper)	NA	0/3	0/4	NA	1/2	1/2.5	1/3	NA	0/3	0/4	NA
<b>Beckett Burner, Side-wall Installation</b>											
	AFII-85				AFII-150			AFII-85			
Nozzle (Delavan)	0.50-60W		0.60-60W	NA	0.75-70B	0.85-70B	1.00-70B	0.50-60W		0.60-60W	NA
Combustion air adjustment(screw/dial)	3/1.5	3/3	3/4.5	NA	2.75	4.25	6.75	3/1.5	3/3	3/4.5	NA
<b>Riello Burner, Side-wall Installation</b>											
	40-BF3				40-BF5			40-BF3			
Nozzle (Delavan)	NA	0.50-60W	NA	0.60-60W	0.75-70B	0.85-70B	1.00-70B	NA	0.50-60W	NA	0.60-60W
Combustion air adjustment (turbulator/damper)	NA	0/6	NA	0/7.5	1/3	1/4	2/4.5	NA	0/6	NA	0/7.5
<b>Electrical System</b>											
Volts - Hertz - Phase	115-60-1				115-60-1			115-60-1			
Operating voltage range	104 - 132				104 - 132			104 - 132			
Rated voltage Amp	12.2				15.7			12.2			
Minimum ampacity for wiring sizing	13.7				18.1			13.7			
Max. fuse size (Amps.)	15				20			15			
Control transformer	40 Va				40 Va			40 Va			
Ext. control power available, cooling and accessories	30 Va				30 Va			30 Va			
<b>Blower Data</b>											
Blower speed @ 0.5" WC static pressure	Med-Lo	Med-Hi	High	High	Med-Lo	Med-Hi	High	Low	Med-Hi	High	High
Blower speed @ 0.25" WC static pressure	Low	Med-Hi	Med-Hi	Med-Hi	Med-Lo	Med-Hi	Med-Hi	Low	Med-Hi	High	High
Maximum cooling, speed	Low	Med-Lo	Med-Hi	High	Med-Lo	Med-Hi	High	Low	Med-Lo	Med-Hi	High
Maximum cooling, tons @ 0.5" WC static pressure	1.5	2	2.5	3	3.5	4	5	1.5	2	2.5	3
Motor (HP) / number of speeds	1/3 HP / 4 speeds				3/4 HP / 4 speeds			1/3 HP / 4 speeds			
Blower wheel size (in.)	10 x 10				12 x 10			10 x 10			
Filter quantity and size	(1) 20 x 20				(2) 16 x 24			(1) 20 x 20			
Weight (Lbs.)	200				235			207			

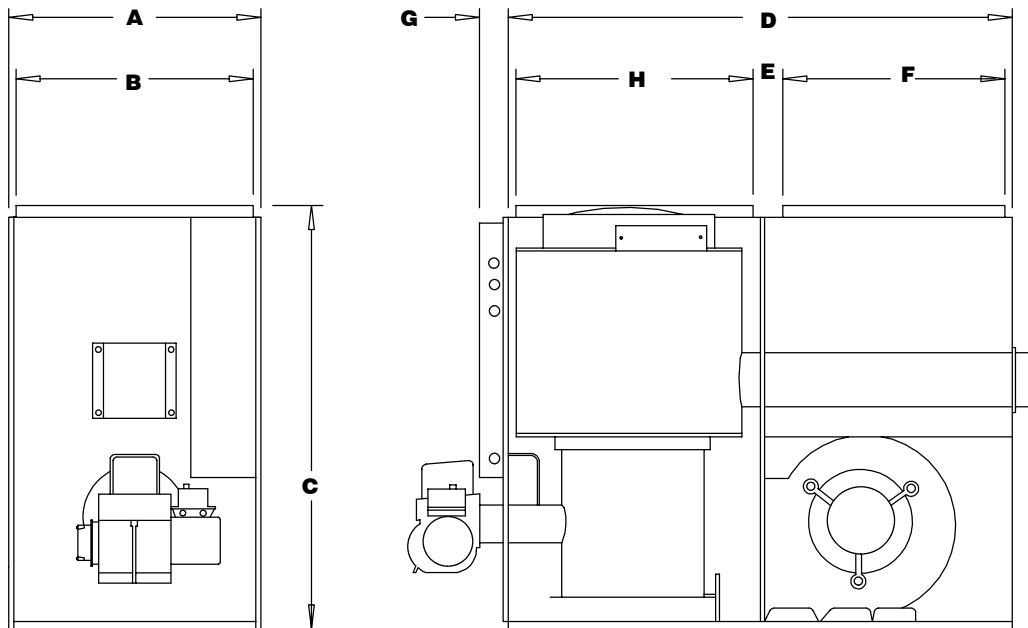
## BLOWER PERFORMANCE DATA (Air delivery - CFM with air filter)

Model No.	OLR105A12A		OLR160B20A		OLF105A12A	
	External Static Pressure with Air filter		External Static Pressure with Air filter		External Static Pressure with Air filter	
<b>Speed</b>	<b>0.25</b>	<b>0.5</b>	<b>0.25</b>	<b>0.5</b>	<b>0.25</b>	<b>0.5</b>
Low	850	700	1100	1020	840	770
Med-Lo	940	750	1360	1350	960	800
Med-Hi	1090	1000	1625	1540	1050	980
High	1390	1300	2100	1850	1300	1200

## NEW MODEL NUMBER IDENTIFICATION GUIDE

<b>MODEL NUMBER</b>	<b>O</b>	<b>L</b>	<b>R</b>	<b>105</b>	<b>A</b>	<b>12</b>	<b>A</b>
<b>FUEL</b> O = Oil							<b>REVISION</b>
<b>PRODUCT GROUP</b> U = Upflow H = Horizontal T = Upflow/Horizontal L = Lowboy	D = Downflow C = Downflow/Horizontal M = Multiposition						<b>AIR FLOW</b> 08 = 800 CFM 12 = 1200 CFM 18 = 1800 CFM 20 = 2000 CFM
<b>SERIES</b> F = Front Breech	R = Rear Breech						<b>SUPPLY PLENUM SIZE</b> A = 20 x 20 B = 24 x 24
							<b>INPUT, MBTUH</b>

## DIMENSIONS



27-11-22

Representative only, some models may vary in appearance.

ALL DIMENSIONS IN INCHES

Furnace Dimensions								
Model No.	A	B	C	D	E	F	G	H
OLR105A12A	21	19 <sup>3</sup> / <sub>4</sub>	32	41	2	17 <sup>3</sup> / <sub>4</sub>	2.4	19 <sup>3</sup> / <sub>4</sub>
OLF105A12A	21	19 <sup>3</sup> / <sub>4</sub>	32	41	2	17 <sup>3</sup> / <sub>4</sub>	2.4	19 <sup>3</sup> / <sub>4</sub>
OLR160B20A	25	23 <sup>3</sup> / <sub>4</sub>	40	49	2 <sup>1</sup> / <sub>8</sub>	21 <sup>3</sup> / <sub>4</sub>	2.4	23 <sup>3</sup> / <sub>4</sub>

Model No.	Flue Sizes
OLR105A12A	5"
OLF105A12A	5"
OLR160B20A	6"

Minimum Installation Clearances from Combustible Materials			
		OLR105 OLF105	OLR160
Sides	Furnace	1"	1"
	Supply plenum, warm air duct within 6' of furnace	1"	1"
Back	Furnace	1"	18"
Top	Furnace casing or plenum	1"	2"
Bottom	Furnace - combustible floor	0"	0"
Front	Furnace	24"	24"

## ACCESSORIES

Product Model No.	Burners	Nozzle (not supplied)	Direct Vent Terminal	Direct Vent Pipe	Accessories	Coil Adapter
OLF105A12A	N01J040 (Beckett-chimney)	(0.50 - 70A) - K162	--	--	LBVEST1 Vestibule Kit	OCA20
		0.60-70B - K234	--	--		
	N01F032 (Riello-chimney)	(0.50 - 60A) - K152	--	--		
		0.60-60A - K153	--	--		
	N01J038 (Beckett-direct vent)	(0.50 - 60W) - K157	VTK1 5"	IFV315 or IFV323		
		0.60 - 60W - K158				
N01F034 (Riello-direct vent)	(0.50 - 60W) - K157					
	0.60 - 60W - K158					
OLR105A12A	N01J040 (Beckett-chimney)	(0.50 - 70A) -K162	--	--	LBVEST1 Vestibule Kit	OCA20
		0.60-70B - K234	--	--		
	N01F032 (Riello-chimney)	(0.50 - 60A) - K152	--	--		
		0.60-60A - K153	--	--		
	N01J038 (Beckett-direct vent)	(0.50 - 60W) - K157	VTK1 5"	IFV315 or IFV323		
		0.60 - 60W - K158				
N01F034 (Riello-direct vent)	(0.50 - 60W) - K157					
	0.60 - 60W - K158					
OLR160B20A	N01J039 (Beckett-chimney)	(0.75 - 70B) - K213	--	--	LBVEST2 Vestibule Kit	OCA24
		1.00-70B - K216	--	--		
	N01F033 (Riello-chimney)	(0.75 - 70B) - K213	--	--		
		(0.85-70B) - K219	--	--		
		1.00-70B - K216	--	--		
	N01J041 (Beckett-direct vent)	(0.75 - 70B) - K213	VTK2 6"	IFV415 or IFV423		
		(0.85 - 70B) - K219				
		1.00 - 70B - K216				
	N01F035 (Riello-direct vent)	(0.75 - 70B) - K213				
		(0.85 - 70B) - K219				
1.00 - 70B - K216						

## ACCESSORY DESCRIPTION

Accessories Model No	Description	Accessories Model No	Description
N01J040	Beckett AFG-F0 Oil Burner for 5" Breech Models	LBVEST1	Vestibule Kit for 5" Breech Low Boy Models
N01F032	Riello 40-F3 Oil Burner for 5" Breech Models	LBVEST2	Vestibule Kit for 6" Breech Low Boy Models
N01J038	Beckett AFII-85 Oil Burner for 5" Breech Models	K152	Nozzle, Oil Burner, Delavan, 0.5 GPH/60° A
N01F034	Riello 40-BF3 Oil Burner for 5" Breech Models	K153	Nozzle, Oil Burner, Delavan, 0.6 GPH/60° A
N01J039	Beckett AFG-F6 Oil Burner for 6" Breech Models	K157	Nozzle, Oil Burner, Delavan, 0.5 GPH/60° W
N01F033	Riello 40-F5 Oil Burner for 6" Breech Models	K158	Nozzle, Oil Burner, Delavan, 0.6 GPH/60° W
N01J041	Beckett AFII-150 Oil Burner for 6" Breech Models	K162	Nozzle, Oil Burner, Delavan, 0.5 GPH/70° A
N01F035	Riello 40-BF5 Oil Burner for 6" Breech Models	K213	Nozzle, Oil Burner, Delavan, 0.75 GPH/70° B
VTK1	Vent Terminal Kit for 5" Breech Models	K219	Nozzle, Oil Burner, Delavan, 0.85 GPH/70° B
VTK2	Vent Terminal Kit for 6" Breech Models	K216	Nozzle, Oil Burner, Delavan, 1.0 GPH/70° B for
IFV315	15' x 3" Insulated Flex Vent for 5" Breech Models	K234	Nozzle, Oil Burner, Delavan, 0.6 GPH/70° B
IFV323	23' x 3" Insulated Flex Vent for 5" Breech Models	OCA20	Cased Coil Adapter 20" x 20"
IFV415	15' x 4" Insulated Flex Vent for 6" Breech Models	OCA24	Cased Coil Adapter 24" x 24"
IFV423	23' x 4" Insulated Flex Vent for 6" Breech Models		