

# Installation Instructions

## SMALL ROOFTOP UNITS 3 TO 12.5 TON ACCESSORY HINGED DOOR KIT FOR HORIZONTAL ECONOMIZER IV

**KITS:**  
**DNHNGPNL001A00**  
**DNHNGPNL002A00**

**IMPORTANT:** Read these instructions completely before attempting to install this accessory.

### PACKAGE CONTENTS

QTY	CONTENTS
1	Hinged Access Door
2	Hinge
2	Latch
1	Top Access Door
3	Gasket (9430–1300)
1	Gasket (9430–0900)

### PACKAGE USAGE


ECONOMIZER	ACCESSORY KIT
DNECOMZR024A02	DNHNGPNL001A00
DNECOMZR025A02	DNHNGPNL002A00
DNECOMZR026A00	DNHNGPNL001A00
DNECOMZR027A00	DNHNGPNL002A00

### SAFETY CONSIDERATIONS

Installation and servicing of air-conditioning equipment can be hazardous due to system pressure and electrical components. Only trained and qualified service personnel should install, repair, or service air-conditioning equipment.

Untrained personnel can perform the basic maintenance functions. All other operations should be performed by trained service personnel. When working on air-conditioning equipment, observe precautions in the literature, tags and labels attached to the unit, and other safety precautions that may apply.

Follow all safety codes. Wear safety glasses and work gloves.

Recognize safety information. This is the safety-alert symbol . When you see this symbol on the unit and in instructions or manuals, be alert to the potential for personal injury.

Understand the signal words DANGER, WARNING, and CAUTION. These words are used with the safety-alert symbol. DANGER identifies the most serious hazards which **will** result in severe personal injury or death. WARNING signifies a hazard which **could** result in personal injury or death. CAUTION is used to identify unsafe practices which **may** result in minor personal injury or product and property damage. NOTE is used to highlight suggestions which **will** result in enhanced installation, reliability, or operation.

### **WARNING**

#### **ELECTRICAL SHOCK HAZARD**

Failure to follow this warning could result in personal injury and/or death.

Before performing service or maintenance operations on unit, turn off main power switch to unit and install lockout tag on disconnect.

### GENERAL

This accessory package consists of a hinged door, a sealing angle with a gasketed flange, a 6-in. gasket strip, and screws. Use this accessory kit with a field-installed horizontal Economizer IV to provide a watertight seal. These instructions assume that the horizontal Economizer IV has already been installed.

### BEFORE INSTALLING

Inspect the contents of this accessory package before installing. File a claim with the shipper if contents are damaged or parts are missing.

### INSTALLATION

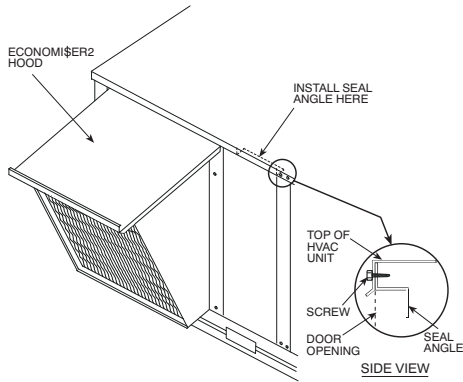
#### **Step 1 — Remove Access Door**

The horizontal Economizer IV comes with a non-hinged access door; locate, remove and discard this door.

## Step 2 — Install Hinged Door Kit

1. Locate the angle seal and install it inside the door opening, along the top edge of the rooftop unit, using the screws provided. When properly installed, the seal angle should be flush with the door opening on the side furthest from the hood; there will be a gap on the side closest to the hood assembly. (See Fig. 1.)

**NOTE:** For 10 and 12-1/2 ton R-22 units and 8-1/2 to 12-1/2 ton R-410A units, remove the blank-off panel and install the angle seal behind it as shown in Fig. 2. **Do not put the blank-off panel back on until after the next step.**



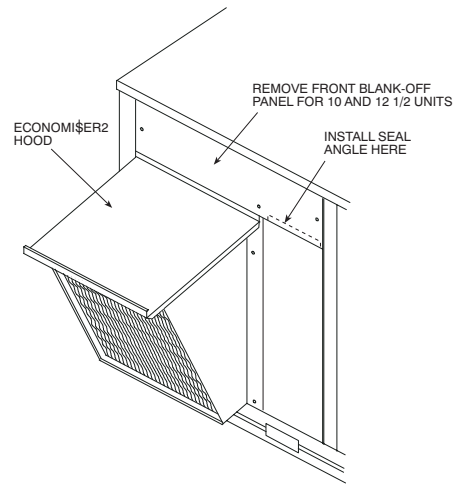
C08255

**Fig. 1 - Install Seal Angle (3 to 8-1/2 Ton R-22 Units and 3 to 7-1/2 Ton R-410A Units)**

2. Locate the 6-in. gasket strip. Remove the paper backing (exposing the sticky side) and install the gasket behind the hinged angle seal, closest to the hood assembly so that it covers the gap mentioned in the previous step. When properly installed, the gasket will sit partially behind the seal angle, across the edge of the door opening, and will partially cover the hood assembly where it attaches to the unit. (See Fig. 3.)

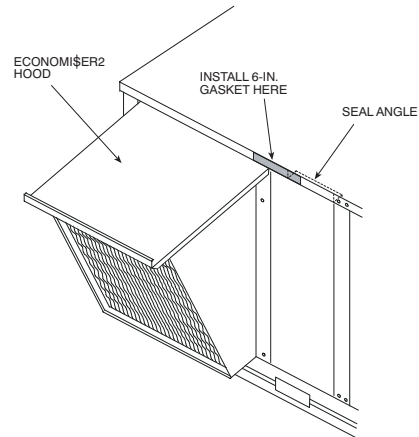
**NOTE:** For 10 and 12-1/2 ton R-22 units and 8-1/2 to 12-1/2 ton R-410A units, install the gasket then put the blank-off panel back on.

3. Align the hinged door on the opening to the right of the hood assembly. Screw the door hinges to the hood assembly as shown in Fig. 4.
4. Open and close the hinged door to make sure it swings freely.
5. On the back side of the door handle is an adjustable latch. Adjust the latch so that there is a tight seal around the door.



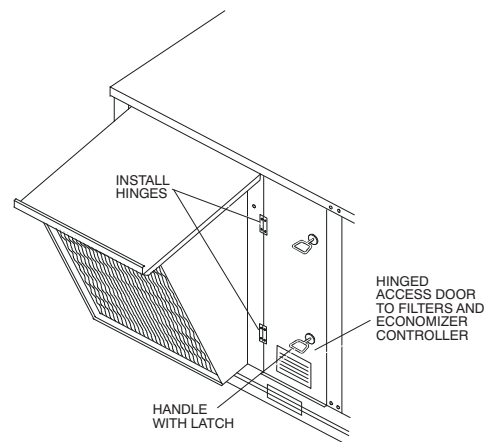
C08256

**Fig. 2 - Remove Blank-off Panel Before Installing Seal Angle (10 and 12-1/2 Ton R-22 Units and 8-1/2 to 12-1/2 Ton R-410A Units)**



C08257

**Fig. 3 - Install 6-in. Gasket**



C08258

**Fig. 4 - Attach Hinged Door to Hood Assembly**