



PAMC Series

10 SEER

PACKAGE COOLING

3 THRU 5 TON THREE PHASE

FEATURES

SINGLE PACKAGE

- Electric cooling, self contained for year-round comfort. Systems can be in-stalled on rooftop or ground level with the new convertible design.

CABINET

- 20 gauge hot dipped galvanized steel, phosphate-coated with a tough acrylic finish. One piece weather resistant top. Access panels for easy service. Side by side supply and return. Heavy gauge base with rails.

INTEGRAL BASE RAILS

- Fork-lift access on three sides. Holes provided for lifting lugs makes rooftop installation easier.

IMPROVED INSULATION

- Dual density insulation improves temperature separation.

INDOOR BLOWER

- Standard direct drive (3 thru 5 ton models)
- "No Difference" Design - Unit will operate at the same rated External Static Pressure in the down shot or horizontal duct position.

INTERNAL AIR FILTERS

- Easy access air filters to maintain a clean evaporator coil.

COPPER TUBE/ALUMINUM FIN COILS

- Enhanced aluminum fins mechanically bonded to 3/8" copper tubes for improved heat transfer.

COMPRESSORS

- Scroll compressors on 4 and 5 ton models, recip compressor on 3 ton models.

FILTER DRIERS

- To insure refrigerant cleanliness.

HIGH & LOW PRESSURE SWITCHES

- To provide excellent compressor protection.

EXTERNALLY-MOUNTED GAUGE PORTS

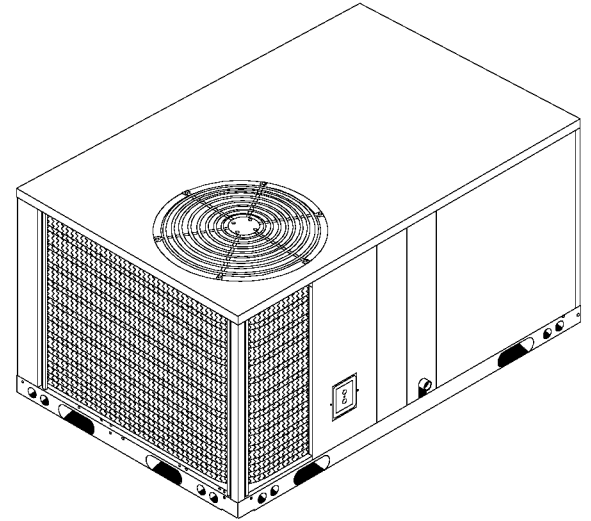
- Allows for more accurate reading of operating conditions while servicing.

ECONOMIZER

- Designed for slide in, plug in economizer installation. Available for down-flow or horizontal applications.

ELECTRIC HEAT ACCESSORY

- 5 thru 30KW



Rated in accordance with ARI Standard 210.



WARRANTY

Limited warranties applicable to this equipment are set forth in the manufacturer's published warranty statement, which is available from our office (address on this literature) and from local distributors of our products in your area (see your phone directory).

- Standard five (5) year limited warranty on parts.
- Five (5) year limited warranty on the compressor.

OPTIONAL FIELD INSTALLED ACCESSORIES

- Roof Curb
- Low ambient kit
- Economizer
- Outdoor Air Damper
- Coil guard
- Hail guard
- Concentric Duct Kit

UNIT SPECIFICATIONS

MODEL NUMBER	Electrical Data	Electrical Data			Condenser Data								
					Coil			Fan Motor			Fan		
	Voltage Phase - Hz	HACR Max. Fuse	Ampacity	Total Unit Amps	Total Face Area (Sq. Ft.)	Fins Per In. / Rows	Tube Diameter (In.)	Horsepower / Amps	Full Load Amps	Locked Rotor Amps	Size Diameter (In.)	RPM (Max.)	CFM (Max.)
PAMC36HA	208/230-3-60	25	17.8	15.6	12.5	20 / 1	3/8	.75 / 2.6	2.6	9.52	22	1165	3500
PAMC36FA	460-3-60	15	9.1	8.0				.75 / 1.4	1.4	4.8			
PAMC48HA	208/230-3-60	35	23.4	20.1	17.2	20 / 1	3/8	.75 / 2.6	2.6	9.52	22	1155	4500
PAMC48FA	460-3-60	15	11.8	10.2				.75 / 1.4	1.4	5.04			
PAMC60HA	208/230-3-60	50	34.2	28.9	17.2	20 / 1	3/8	.75 / 2.6	2.6	9.52	22	1155	4500
PAMC60FA	460-3-60	20	15.3	13.0				.75 / 1.4	1.4	5.4			

MODEL NUMBER	Evaporator Coil									Compressor		Factory Refrigerant Charge R-22 Oz.	Sound Rating (Bels)	Shipping Weight (Lbs.)
	Coil			Blower H.P. / Type / Speeds	Motor		Blower			Full Load Amps	Locked Rotor Amps			
	Total Face Area (Sq. Ft.)	Fins Per In. / Rows	Tube Diameter (In.)		Full Load Amps	Locked Rotor Amps	Type & Size	RPM (Maximum)	CFM Rated					
PAMC36HA	8.2	15 / 2	3/8	.5 / PSC / 4	4.0	7.1	DD10-8	1090	1200	9.0	70	108	8.0	578
PAMC36FA					4.0	7.1				4.6	33			
PAMC48HA	8.2	15 / 2	3/8	1 / PSC / 4	4.4	8.6	DD11-11	1050	1600	13.1	91	113	7.8	608
PAMC48FA					4.4	8.6				6.6	46			
PAMC60HA	.82	14 / 3	3/8	1 / PSC / 4	5.0	8.7	DD11-11	1050	2000	21.3	128	99	8.0	628
PAMC60FA					5.0	8.7				9.1	63			

PERFORMANCE DATA: COOLING

MODEL NUMBER	Rated Capacity BTUH	S / T Ratio	S.E.E.R.	E.E.R.	Power Input Watts	Evaporator Rated Airflow (SCFM)
PAMC36HA	34,500	.77	10.2	9.05	3812	1200
PAMC36FA					3812	
PAMC48HA	45,000	.75	10	8.75	5085	1600
PAMC48FA					5085	
PAMC60HA	58,500	.75	10	8.55	7095	2000
PAMC60FA					7095	

* Rated Capacity @ 230 Volts. For applications at 208 volts deduct 1000 BTUH.

STANDARD (DIRECT DRIVE) BLOWER PERFORMANCE DATA

UNIT SIZE	Motor Speed	Air Delivery in CFM * External Static Pressure (In. W.C.)					
		.20	.30	.40	.50	.60	.70
3 TON	HI	1665	1617	1566	1507	1437	1353
	MD HI	1558	1522	1480	1428	1365	1285
	MD LO	1430	1408	1375	1332	1275	1205
	LO	----	1235	1173	1158	1152	1115
4 TON	HI	2124	2062	1997	1928	1854	1773
	MD HI	1990	1936	1877	1814	1746	1672
	MD LO	1614	1584	1549	1507	1457	1398
	LO	1277	1263	1242	1212	1174	1127
5 TON	HI	2124	2062	1997	1928	1854	1773
	MD HI	1990	1936	1877	1814	1746	1672
	MD LO	1614	1584	1549	1507	1457	1398
	LO	1277	1263	1242	1212	1174	1127

Air delivery against shown external static pressures taken with 230V to unit, dry coil. For wet coil subtract approx. .25 CFM. Will operate at rated ESP in either horizontal or downflow duct position.

* Dry coil, with filter

EXPANDED PERFORMANCE DATA (COOLING) - 4 TON - 208/240 VOLT

Table with columns for Airflow (IDB* CFM), Outdoor Ambient Temperature (Degrees F. Dry Bulb), and Entering Indoor Temperature (Degrees F. Wet Bulb). Rows include various equipment models (1792, 1600, 1408) at different outdoor temperatures (65, 75, 85, 95, 105, 115) and indoor temperatures (59, 63, 67, 71).

EXPANDED PERFORMANCE DATA (COOLING) - 4 TON - 480 VOLT

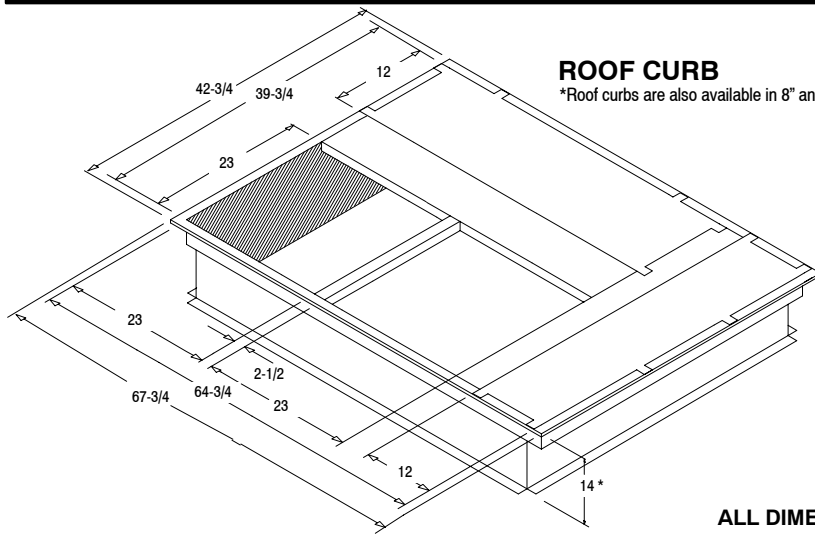
Table with columns for Airflow (IDB* CFM), Outdoor Ambient Temperature (Degrees F. Dry Bulb), and Entering Indoor Temperature (Degrees F. Wet Bulb). Rows include various equipment models (1792, 1600, 1408) at different outdoor temperatures (65, 75, 85, 95, 105, 115) and indoor temperatures (59, 63, 67, 71).

* Entering Indoor Temperature - Degrees F. Dry Bulb



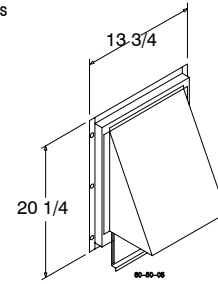
Standard Rating

ACCESSORIES



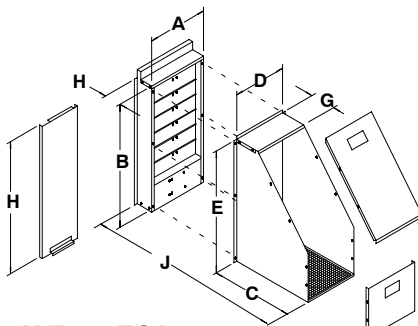
ROOF CURB

*Roof curbs are also available in 8" and 24" (203.2mm and 609.6mm) heights

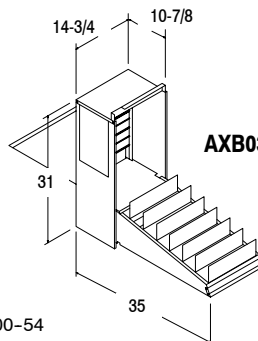


AXB030F**B

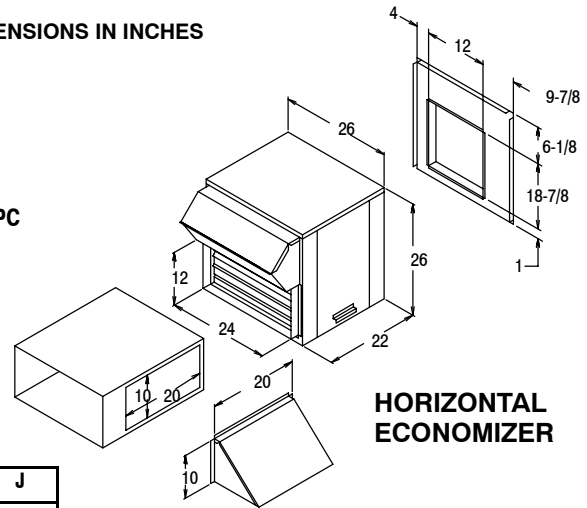
ALL DIMENSIONS IN INCHES



AXB030ECA



AXB030EMB/EPC



HORIZONTAL ECONOMIZER

DOWNFLOW ECONOMIZERS

Model No.	A	B	C	D	E	F	G	H	J
AXB030ECA	14-3/4	31	20-1/4	13	30	13	5	32-1/2	24

ROOF CURBS

Description	Model Number	Used on
8"	AXB030CLA	3 to 5 Ton
14"	AXB030CMA	3 to 5 Ton
24"	AXB030CHA	3 to 5 Ton
Roof Curb Transition to Round Duct	AXB030CTA	3 to 5 Ton

ECONOMIZERS - DOWNFLOW

Description	Model Number	Used on
Fully Modulating	AXB030EMB	3 to 5 Ton
Three Position (w/ return air damper)	AXB030EPC	3 to 5 Ton
Three Position (w/o return air damper)	AXB030ECA	3 to 5 Ton

COIL PROTECTION

Description	Service Parts Number *	Used on
Coil Guard	1148155	3 to 5 Ton
Hail Guard	1148157	3 to 5 Ton

ECONOMIZERS - HORIZONTAL

Description	Model Number	Used on
Fully Modulating	AXB030HEA	3 to 5 Ton
Three Position	AXB030HPC	3 to 5 Ton

CONCENTRIC DUCT KIT

Description	Mainline Model Number	Used on
Roof Curb Transition Square to Round	AXB030CTA	3 to 5 Ton
Grille, Flush Mount	AXB030CFA	3 to 5 Ton
Grille, Step Down	AXB030CSA	3 to 5 Ton

OUTDOOR AIR DAMPERS

Description	Model Number	Used on
Manual - 25%	AXB030FAB	3 to 5 Ton
Motorized - 25%	AXB030FMB	3 to 5 Ton

LOW AMBIENT CONTROLS

Description	Service Parts Numbers *	Used on
To 0° F	1148233	3 to 5 Ton

*Available through service parts only

ELECTRICAL DATA - ELECTRIC HEAT ACCESSORY

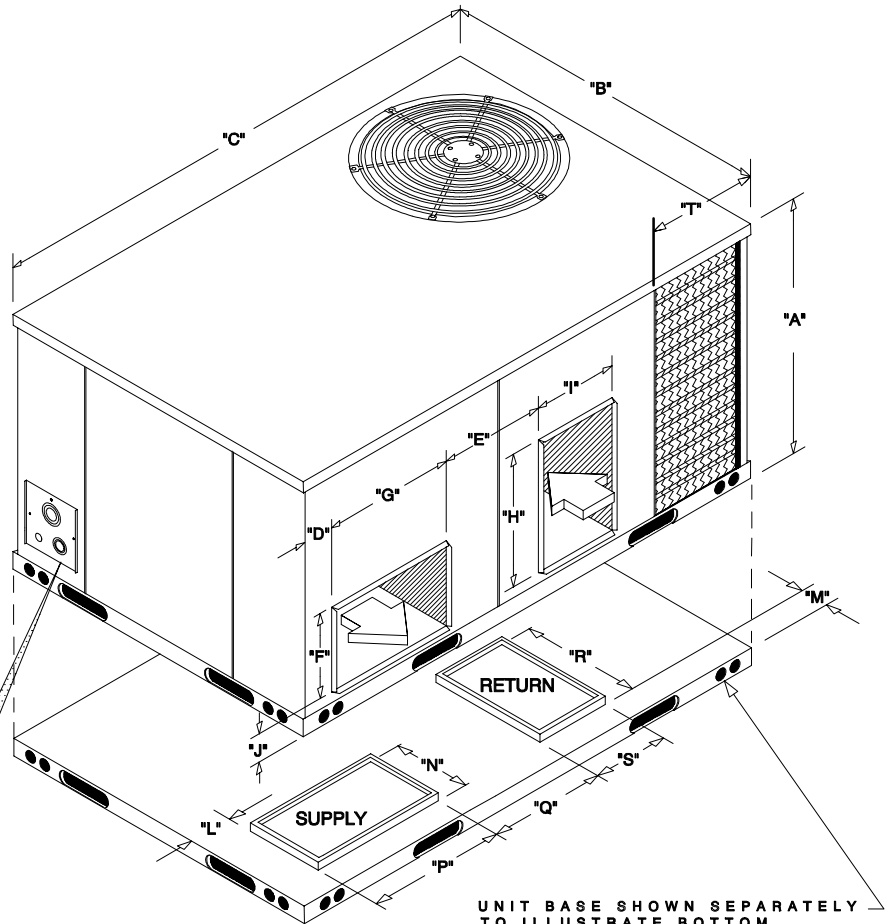
Heater Model #	Use With	Supply Voltage (Volts-Phase-Hz)	Nominal Btu/h	1 st / 2 nd Stage kW Rating	Supply Circuit Number	Heater Amps	Minimum Circuit Ampacity	Max. Fuse or NEC HACR Breaker (Amps)
AEB010CHA	3 to 5 Ton	240-3-60	34,130	10.0	L4-L5-L6	24.1	30.1	35
		208-3-60	25,598	7.5	L4-L5-L6	20.8	26.1	30
AEB015CHA	3 to 5 Ton	240-3-60	51,195	15.0	L4-L5-L6	36.1	45.2	50
		208-3-60	38,567	11.3	L4-L5-L6	31.4	39.3	40
AEB020CHA	3 to 5 Ton	240-3-60	68,260	10.0 / 20.0	L4-L5-L6 L7-L8-L9	24.1 24.1	30.1 30.1	35 35
		208-3-60	51,195	15.0	L4-L5-L6 L7-L8-L9	20.8 20.8	26.1 26.1	30 30
AEB025CHA	4 to 5 Ton	240-3-60	85,325	12.5 / 25.0	L4-L5-L6 L7-L8-L9	30.1 30.1	37.6 37.6	40 40
		208-3-60	64,164	9.4 / 18.8	L4-L5-L6 L7-L8-L9	26.1 26.1	32.7 32.7	35 35
AEB030CHA	4 to 5 Ton	240-3-60	102,390	15.0 / 30.0	L4-L5-L6 L7-L8-L9	36.1 36.1	45.2 45.2	50 50
		208-3-60	76,793	11.25 / 22.5	L4-L5-L6 L7-L8-L9	31.4 31.4	39.3 39.3	40 40
AEB010CLA	3 to 5 Ton	480-3-60	34,130	10.0	L4-L5-L6	12.0	15.0	15
AEB015CLA	3 to 5 Ton	480-3-60	51,195	15.0	L4-L5-L6	18.1	22.6	25
AEB020CLA	3 to 5 Ton	480-3-60	68,260	10.0 / 20.0	L4-L5-L6 L7-L8-L9	12.0 12.0	15.0 15.0	15 15
AEB025CLA	4 to 5 Ton	480-3-60	85,325	12.5 / 25.0	L4-L5-L6 L7-L8-L9	15.1 15.1	18.8 18.8	20 20
AEB030CLA	4 to 5 Ton	480-3-60	102,390	15.0 / 30.0	L4-L5-L6 L7-L8-L9	18.1 18.1	22.6 22.6	25 25

MODEL NUMBER IDENTIFICATION GUIDE

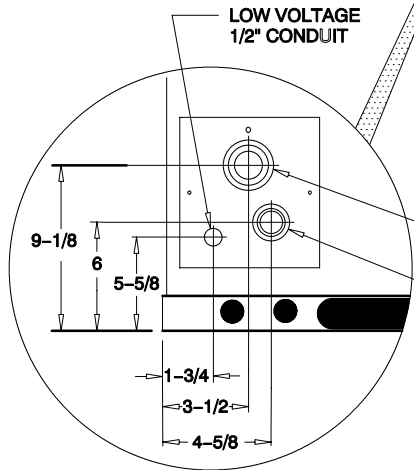
MODEL NUMBER	P	A	M	C	36	H	A
Product Family P = Single Package							Sales Code
Fuel Type A = Electric Air Conditioner							Electrical Characteristics H = 208 / 230-3-60 F = 460-3-60
MULTI-POSITION							
Design Series							Capacity (Nominal BTU) 36 = 3 Ton 60 = 5 Ton 48 = 4 Ton

UNIT DIMENSIONS

ALL DIMENSIONS IN INCHES (MILLIMETERS)



UNIT BASE SHOWN SEPARATELY TO ILLUSTRATE BOTTOM DUCT OPENINGS



ELECTRIC HEAT POWER
1", 1-1/2", 2" CONDUIT

UNIT ELECTRICAL POWER
3/4", 1", 1-1/4" CONDUIT

Note: Duct connections for downflow discharge are made to roof curb only.

UNIT SIZE	A	B	C	D	E	F	G	H	I	J	K	Inside Base Rail
3 to 5 Ton	36 (914)	47-3/8 (1203.5)	73 (1854)	4-5/8 (117.5)	15 (381)	12 (305)	18-3/4 (476)	18-3/4 (476)	12 (305)	4 (102)	*	68-3/4 x 43-1/8 (1746 x 1095.5)

UNIT SIZE	L	M	N	P	Q	R	S	T
3 to 5 Ton	4 1/4 (108)	5 1/4 (133)	12 1/4 (311)	19 (483)	15 (381)	19 (483)	12 1/4 (311)	16 7/8 (429)

*NOTE: The base rail width is 2-1/8 inches (55MM).

Center of Gravity (Inches/MM)		
Model	X axis	Y axis
3 Ton	35(889)	21(533.5)
4 Ton	34(864)	20(508)
5 Ton	34(864)	20(508)

Note: To determine Center of Gravity, get appropriate measurements from the table above, then measure from the corner of the unit marked "C", making sure to use the correct measurement for the axis you are measuring. See example of typical center of gravity determination on dimensional drawing to the right.

GUIDE SPECIFICATION

CABINET

The cabinet shall be made of sturdy G-90 galvanized steel, phosphate coated with a tough acrylic finish. Base rails shall be 18 gauge steel have fork lift slots and holes provided for lifting shackles. Unit shall be designed with convertible airflow and shipped ready for downflow applications with conversion to horizontal airflow being accomplished by relocating two panels.

Return air compartments shall be insulated with not less than 1" of water resistant coated glass fiber and not less than 1" of aluminum foil faced glass fiber in the furnace/supply compartments.

COOLING SECTION

Units shall be factory charged and operationally ready. Each refrigerant circuit shall have a compressor with internal overload protection, high and low pressure switches, filter drier, and copper tube/aluminum fin evaporator and condenser coils.

Units shall be capable of cooling operation down to 35°F as shipped from the factory.

COILS

The evaporator and condenser coils shall be fabricated with aluminum fins mechanically bonded to copper tubing. Both coils shall be pressure tested

prior to assembly into the unit and electronically leak tested after assembly into the unit. The evaporator coil shall be protected from dust and debris on the return air side by factory installed 2" air filters.

CONDENSER FAN

The unit shall have a single direct drive propeller fan/motor assembly mounted directly to a vertical-discharge grille panel that is easily removable. Motors shall be 1075 RPM with permanently lubricated sleeve bearings and inherent overload protection.

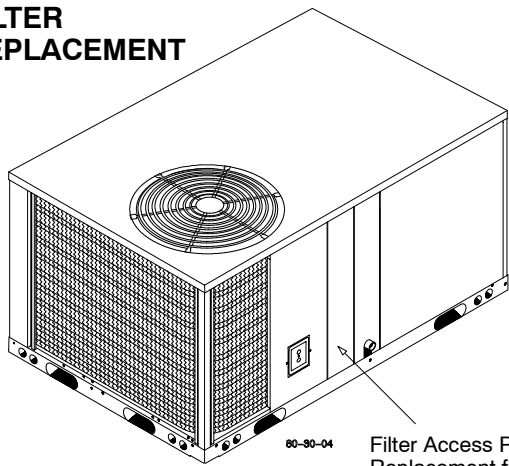
EVAPORATOR BLOWER

The standard direct drive blower for the PAMC36-060 shall have the motor mounted inside a single, double inlet centrifugal wheel and have internal overload protection and permanently lubricated ball bearings and/or sleeve bearings with oilers provided. The evaporator blower system shall have the capability to operate against the same rated external static pressure in downflow or horizontal duct designs.

HEATING SECTION

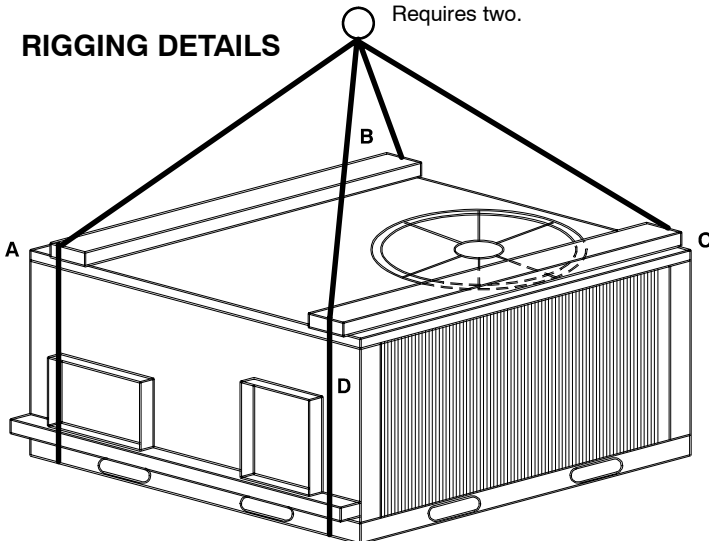
The heating compartment shall be easily accessible and accept the optional slide-in electric heat accessory packages.

FILTER REPLACEMENT

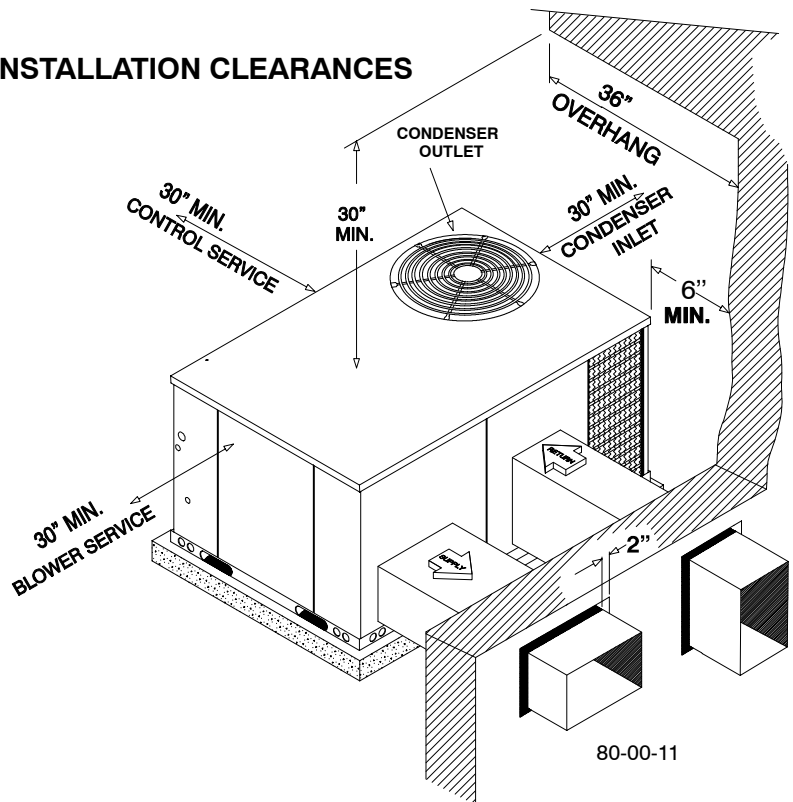


Filter Access Panel
Replacement filter size
20" X 30" X 2".
Requires two.

RIGGING DETAILS



INSTALLATION CLEARANCES



CORNER WEIGHTS (LBS)

Size / Volt	A	B	C	D	OPERATING WEIGHT TOTAL
3 Ton 208/240	117	128	164	151	560
3 Ton 480	129	140	176	163	608
4 Ton 208/240	124	134	173	159	590
4 Ton 480	136	146	185	171	538
5 Ton 208/240	128	139	179	164	610
5 Ton 480	140	151	191	176	658

NOTES: