

PHR5

Up to 15.5 SEER2 2-Stage Packaged Heat Pump System with R-410A Refrigerant
Single and Three Phase
2 to 5 Nominal Tons (Sizes 24-60)

KeepRite®

Product Data

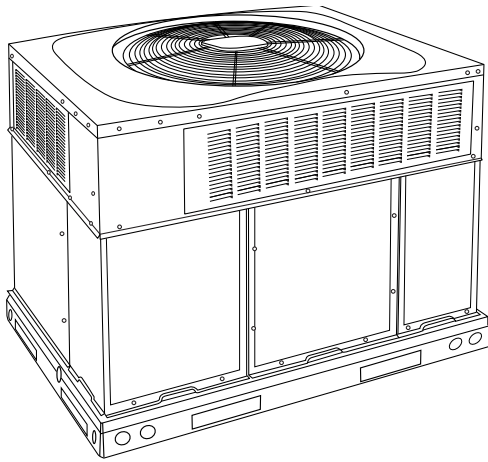


Fig. 1 – Unit PHR5

A09033

Single-Packaged Products with Energy-Saving Features and R-410A refrigerant.

- Up to 15.5 SEER2 / Up to 12 EER2 at 95°F (35°C) OD
- Up to 7.5 HSPF2
- Factory-Installed TXV
- Multi-speed ECM Blower Motor - Standard
- Sound levels as low as 69dBA
- Two Stages of Cooling/Heating
- Dehumidification Feature - Standard
- Cabinet air leakage of 2.0% or less at .5 in. W.C. when tested in accordance with ASHRAE standard 193. (Low leak FIOP models only.)

Features/Benefits

One-piece heat pump unit with optional electric heater, low sound levels, easy installation, low maintenance, and dependable performance.

Easy Installation

Factory-assembled package is a compact, fully self-contained, electric cooling unit that is prewired, pre-piped, and pre-charged for minimum installation expense. These units are available in a variety of standard cooling sizes with voltage options to meet residential and light commercial requirements. Units are lightweight and install easily on a rooftop or at ground level. The high tech composite base eliminates rust problems associated with ground level applications.

Innovative Unit Base Design

On the inside a high-tech composite material will not rust and incorporates a sloped drain pan which improves drainage and helps inhibit mold, algae and bacterial growth. On the outside metal base rails provide added stability as well as easier handling and rigging.

Convertible duct configuration

Unit is designed for use in either downflow or horizontal applications. Each unit is converted from horizontal to downflow and includes horizontal duct covers. Downflow operation is provided in the field to allow vertical ductwork connections. The basepan seals on the bottom openings to ensure a positive seal in the vertical airflow mode.

Efficient operation High-efficiency design offers SEER2 (Seasonal Energy Efficiency Ratios) of up to 15.5 and HSPF2 of up to 7.5. (See page 3)

Durable, dependable components

Scroll Compressors have 2 stages of cooling/heating and are designed for high efficiency. Each compressor is hermetically sealed against contamination to help promote longer life and dependable operation. Each compressor also has vibration isolation to provide quieter operation. All compressors have internal high pressure and overcurrent protection.

Multi-speed ECM Blower Motor is standard on all models.

Direct-drive PSC (Permanent Split Capacitor) condenser-fan motors are designed to help reduce energy consumption and provide for cooling operation down to 40°F (4.4°C) outdoor temperature. low ambient kit is available as a field-installed accessory.

Thermostatic Expansion Valve - A hard shutoff, balance port TXV maintains a constant superheat at the evaporator exit (cooling cycle) resulting in higher overall system efficiency.

Refrigerant system is designed to provide dependability. Liquid filter driers are used to promote clean, unrestricted operation. Each unit leaves the factory with a full refrigerant charge. Refrigerant service connections make checking operating pressures easier.

High and Low Pressure Switches provide added reliability for the compressor.

Indoor and Outdoor coils are computer-designed for optimum heat transfer and efficiency. The indoor coil is fabricated from copper tube and aluminum fins and is located inside the unit for protection against damage. The outdoor coil is internally mounted on the top tier of the unit.

Low sound ratings ensure a quiet indoor and outdoor environment with sound ratings as low as 69dBA. (See page 3.)

Easy to service cabinets provide easy 3 panel accessibility to serviceable components during maintenance and installation. The basepan with integrated drain pan provides easy ground level installation with a mounting pad. A nesting feature ensures a positive basepan to roof curb seal when the unit is roof mounted. A convenient 3/4-in. (19.05 mm) wide perimeter flange makes frame mounting on a rooftop easy.

Dehumidification Feature - Standard

This unit has independent fan speeds for low stage cooling and high stage cooling. In addition, 208/230 VAC models have the field-selectable capability to run a dehumidification ("DHUM") speed on high stage cooling (as low as 320CFM per ton). Coupled with the improved dehumidification associated with low stage cooling, the DHUM speed allows for a complete dehumidification solution independent of cooling stage. The dehumidification control must open the control circuit on humidity rise above the dehumidification set point.

NOTE: The dehumidification feature on high stage cooling does not support use of an economizer.

Table of Contents

Features/Benefits 1
 Table of Contents 2
 Model Number Nomenclature 2
 PHR5 Series K 24 Unit Dimensions..... 6
 PHR5 Series K 36-60 Unit Dimensions 7

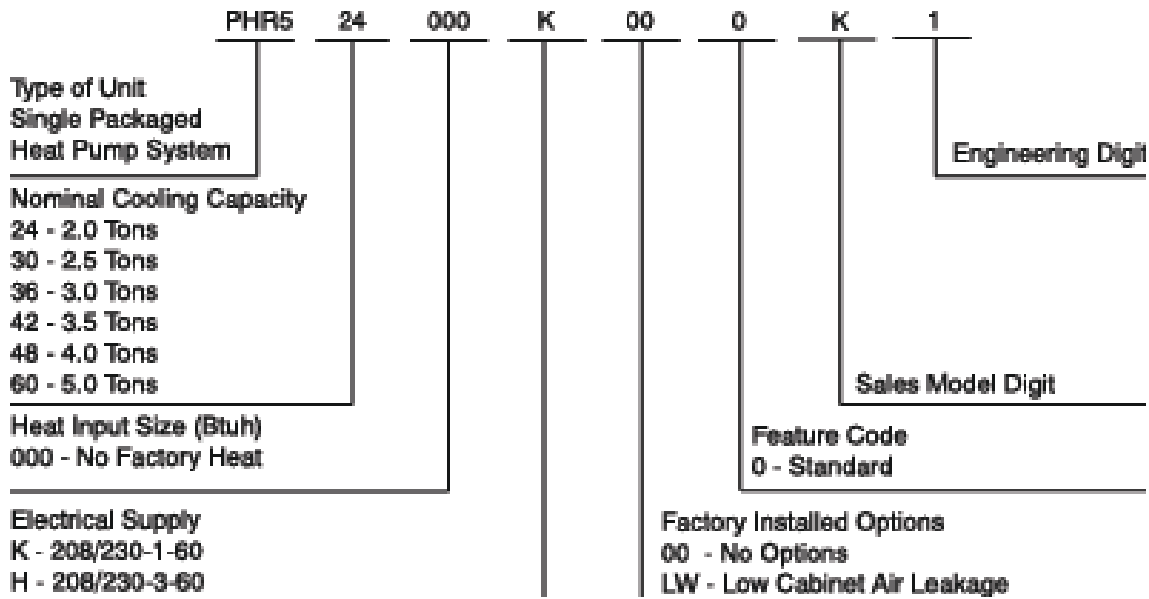
Standard horizontal metal duct covers with insulation come with the unit and cover the horizontal duct openings. These can be left in place if the units are converted to downflow.

Cabinets are constructed of heavyduty, phosphated, zinc-coated prepainted steel capable of withstanding 500 hours in salt spray. Interior surfaces of the evaporator/electric heater compartment are insulated with foil-faced insulation, which keeps the conditioned air from being affected by the outdoor ambient temperature and provides improved indoor air quality. (Conforms to American Society of Heating, Refrigeration and Air Conditioning Engineers No. 62P.) The sloped drain pan minimizes standing water in the drain. An external drain is provided.

Short-Cycling protection for the compressor is incorporated into our defrost control board ensuring a five minute delay (+/-2 minutes) before restarting compressor after shutdown for any reason.

Application Data 21
 Electrical Data 22
 Controls..... 27
 Guide Specifications..... 28

Model Number Nomenclature



Use of the AHRI Certified TM Mark indicates a manufacturer's participation in the program. For verification of certification for individual products, go to www.ahridirectory.org.



AHRI* Capacities

Cooling Capacities and Efficiencies

Unit Size	Nominal Tons	Standard CFM (High / Low Stage)	Net Cooling Capacity - Btuh (High Stage)	EER2 @ A**	SEER2†
24	2	855 / 675	22400	11.5	15.2
36	3	1200 / 900	34200	12	15.5
48	4	1600 / 1200	47000	11.5	15.5
60	5	1750 / 1400	56000	11.5	15.2

Heat Pump Heating Capacities and Efficiencies

Unit Size	Heating Capacity - Btuh (High Stage) @ 47°F (8.3°C) Outdoor Temperature	COP (High Stage) @ 47°F (8.3°C) Outdoor Temperature	Heating Capacity - Btuh (High Stage) @ 17°F (-8.3°C) Outdoor Temperature	COP (High Stage) @ 17°F (-8.3°C) Outdoor Temperature	HSPF2	Heating Cd
24	23800	3.9	12900	2.5	7.2	0.25
36	34400	3.8	18900	2.4	7.2	0.25
48	45000	3.6	26000	2.4	7.2	0.25
60	56500	3.8	32400	2.5	7.5	0.25

LEGEND

dB—Sound Levels (decibels)

db—Dry Bulb

SEER—Seasonal Energy Efficiency Ratio

wb—Wet Bulb

COP—Coefficient of Performance

* Air Conditioning, Heating & Refrigeration Institute.

**At “A” conditions-80°F (26.7°C) indoor db/67°F (19.4°C) indoor wb & 95°F (35°C) outdoor db.

{ Rated in accordance with U.S. Government DOE Department of Energy) test procedures and/or AHRI Standards 210/240.

Notes:

1. Ratings are net values, reflecting the effects of circulating fan heat.

Ratings are based on:

Cooling Standard: 80°F (26.7°C) db, 67°F wb (19.4°C) indoor entering-air temperature and 95°F db (35°C) outdoor entering-air temperature.

2. Before purchasing this appliance, read important energy cost and efficiency information available from AHRIdirectory.org.

A-Weighted Sound Power Level (dBA)

UNIT SIZE	STANDARD RATING (dBA)	TYPICAL OCTAVE BAND SPECTRUM (dBA without tone adjustment)						
		125	250	500	1000	2000	4000	8000
24	69	51.1	55.8	60.4	66.5	61.8	57.9	49.3
36	73	59.1	63.1	68.6	68.1	64.3	61.3	56.8
48	74	59.5	65.0	70.0	67.0	64.5	60.5	52.5
60	71	59.0	61.3	65.6	66.6	62.3	58.6	51.3

NOTE: Tested in compliance with AHRI 270 but not listed with AHRI.

Physical Data

UNIT SIZE	24	36	48	60
NOMINAL CAPACITY (ton)	2	3	4	5
SHIPPING WEIGHT lb.	347	420	462	511
SHIPPING WEIGHT (kg)	157	191	210	232
COMPRESSORS	Scroll			
Quantity	1			
REFRIGERANT (R-410A)				
Quantity lb	8.2	10.0	12.0	16.6
Quantity (kg)	3.7	4.5	5.4	7.5
REFRIGERANT METERING DEVICE	TXV, Indoor TXV			
ORIFICE				
ID (in.)	.032 (2)	.042 (2)	.042 (2)	.052 (2)
ID (mm)	0.81 (2)	1.07 (2)	1.07 (2)	1.32 (2)
OUTDOOR COIL				
Rows...Fins/in.	1...21	2...21	2...21	2...21
Face Area (sq ft)	18.8	13.6	17.5	23.3
OUTDOOR FAN				
Nominal Cfm	2100	3000	3300	3600
Diameter in.	24	26	26	26
Diameter (mm)	609.6	660.4	660.4	660.4
Motor Hp (Rpm)	1/12 (800)	1/5 (810)	1/5 (810)	1/5 (810)
INDOOR COIL				
Rows...Fins/in.	3...17	3...17	3...17	4...17
Face Area (sq ft)	3.7	4.7	5.7	5.7
INDOOR BLOWER				
Nominal Low Stage Cooling Airflow (Cfm)	675	900	1200	1400
Nominal High Stage Cooling Airflow (Cfm) Size in.	855	1200	1600	1750
Size (mm.)	10x10	11x10	11x10	11x10
Motor HP (RPM)	254x254 1/2 (1050)	279.4x254 3/4 (1000)	279.4x254 1.0 (1075)	279.4x254 1.0 (1075)
HIGH-PRESSURE SWITCH (psig) Cut-out Reset (Auto)	650 +/- 15 420 +/- 25			
LOW-PRESSURE SWITCH (psig) cut-out Reset (auto)	20 +/- 5 45 +/- 5			
RETURN-AIR FILTERS*				
Throwaway Size in.	20x20x1	24x30x1	24x36x1	
Throwaway Size (mm)	508x508x25	610x762x25	610x914x25	

*. Required filter sizes shown are based on the larger of the AHRI (Air Conditioning Heating and Refrigeration Institute) rated cooling airflow or the heating airflow velocity of 300 ft/minute for throwaway type or 450 ft/minute for high-capacity type. Air filter pressure drop for non-standard filters must not exceed 0.08 in. W.C. If using accessory filter rack refer to the filter rack installation instructions for correct filter sizes and quantity.

Electric Heat Pressure Drop Tables (IN. W.C.)

Small Cabinet: 24

STATIC	STANDARD CFM (SCFM)											
	500	600	700	800	900	1000	1100	1200	1300	1400	1500	1600
5 kW	0.00	0.00	0.00	0.00	0.00	0.00	0.00	0.00	0.02	0.04	0.06	0.07
10 kW	0.00	0.00	0.00	0.00	0.00	0.02	0.04	0.06	0.07	0.09	0.10	0.11
15 kW	0.00	0.00	0.00	0.02	0.04	0.06	0.08	0.10	0.12	0.14	0.16	0.18
20 kW	0.00	0.00	0.02	0.04	0.06	0.08	0.09	0.11	0.13	0.15	0.17	0.19

Large Cabinet: 36-60

STATIC	STANDARD CFM (SCFM)														
	1100	1200	1300	1400	1500	1600	1700	1800	1900	2000	2100	2200	2300	2400	2500
5 kW	0.00	0.00	0.00	0.01	0.02	0.03	0.04	0.05	0.06	0.07	0.08	0.09	0.10	0.11	0.12
10 kW	0.00	0.00	0.01	0.02	0.03	0.04	0.05	0.06	0.07	0.08	0.09	0.10	0.11	0.12	0.13
15 kW	0.00	0.02	0.03	0.04	0.05	0.06	0.07	0.08	0.09	0.10	0.11	0.12	0.13	0.14	0.15
20 kW	0.02	0.03	0.04	0.05	0.06	0.07	0.08	0.09	0.10	0.11	0.12	0.13	0.14	0.15	0.16

Accessories

DESCRIPTION		USED WITH	PART NO.
Flat Roof Curbs	14-in.	24	CPRFCURB011B00**
		36-60	CPRFCURB013B00
Adapter Curb	Small Cabinet	24	CPADCURB001A00
	Large Cabinet	36-60	CPADCURB002A00
Gasket Kit for existing roof curb with new base rail unit		All	CPGSKTKIT001A00
Vertical Economizer with Jade Honeywell W7220 controller, Honeywell communicating actuator, and dry bulb sensor. (Contact MicroMetl Customer Service at 1-800-662-4822 to order.)		24	ECD-SDSML-JC2-ADB*
		36	ECD-SDLGS-JC2-ADB*
		48-60	ECD-SDLGB-JC2-ADB*
Horizontal Economizer with Jade Honeywell W7220 controller, Honeywell communicating actuator, and dry bulb sensor. (Contact MicroMetl Customer Service at 1-800-662-4822 to order.)		24	ECH-SDSML-JC2-ADB*
		36	ECH-SDLGS-JC2-ADB*
		48-60	ECH-SDLGB-JC2-ADB*
Manual Outside Air Damper - External w/Filter Rack and 1-in. filters		24	CPMANDPR007A00
		36	CPMANDPR008A00
		48-60	CPMANDPR009A00
Internal Filter Rack (includes 1-in. filters)		24	CPFILTRK007A00
		36-42	CPFILTRK008A00
		48-60	CPFILTRK009A00
Motormaster® II Low Ambient Control		All	CPLOWAMB001A00
Time Guard II		All	NRTIMEGD001A00
Square-to-Round Duct Transitions (1 set of 2)		24-48	NPDUCFLG002A00
Compressor Start Kit		All Single Phase	NPHSTART002A00
240V Crankcase Heater		24 (208/230-1)	CPCRKHTR008A00
		48 (208/230-1)	CPCRKHTR004A00
		60 (208/230-1)	Standard
		36-60 (208/230-3)	
Dual Point		208/230V 1-Phase 60 Hz	CPDUALPT001A00

**CPRFCURB011B00 can be used with 36-60 size units with some overhang.
 -Contact MicroMetl customer Service at 1-800-662-4822

Electric Heaters

Catalog Ordering No.	Nominal Capacity (kW)	Fuse Qty	Used With Sizes			
			24	36	48	60
ELECTRIC HEATERS (208/230 — SINGLE PHASE — 60 Hz)						
CPHEATER052B00	5.0	-	X	X		
CPHEATER064B00	5.0	4	X	X	X	X
CPHEATER069B00	7.2	-	X			
CPHEATER070B00	7.2	4	X	X	X	X
CPHEATER050B00	10.0	4	X	X	X	X
CPHEATER066B00	15.0	6		X	X	X
CPHEATER133B00	15.0	4				
CPHEATER054B00	20.0	6			X	X
ELECTRIC HEATERS (208/230 — THREE PHASE — 60 Hz)						
CPHEATER055B00	5.0	-		X	X	X
CPHEATER056B00	10.0	-		X	X	
CPHEATER068B00	10.0	6		X	X	X
CPHEATER058B00	15.0	6		X	X	X
CPHEATER059B00	20.0	6			X	X

NOTE: Electric heaters are rated at 240v. Refer to Multiplication Factors table for other voltages.
 X = Approved combinations.

Minimum Airflow for Safe Electric Heater Operation (CFM)

SIZE	24	36	48	60
Cfm	800	1200	1600	1750

PHR5 Series K 24 Unit Dimensions

COOLING CAPACITY	UNIT WT.		UNIT HEIGHT (TYP)		CENTER OF GRAVITY (TYP)	
	LB.	KG.	"1"	"2"	X	Y
24	338	153.3	51-3/4	1315	20-1/2	520.7
			15-3/4	400.1	23.0	584.2

UNIT	CORNER WEIGHT (LB/KG)			
	"1"	"2"	"3"	"4"
24	47.3 (21.5)	60.8 (27.6)	87.9 (39.9)	142.0 (64.4)

NOTE: 1. ALL TABLE DATA RELEVANT FOR ALL FACTORY INSTALLED OPTIONS EXCEPT ECONOMIZER.
 2. # - INDICATES ALL FLOP CODES FOR THE MODELS LISTED.

REQUIRED CLEARANCES TO COMBUSTIBLE MATL.

	INCHES (MM)
TOP OF UNIT.....	135.6 (5356)
DUCT SIDE OF UNIT.....	2 (50.8)
SIDE OPPOSITE DUCTS.....	14 (355.6)
DUCT SIDE OPPOSITE DUCTS.....	14 (355.6)
ELECTRICAL PANEL.....	36 (914.4)

REQ. REQUIRED CLEARANCES

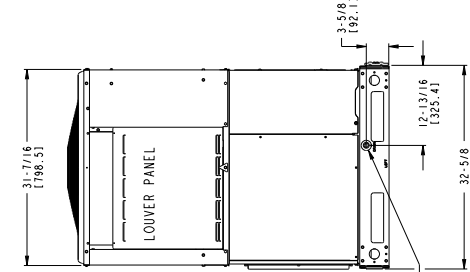
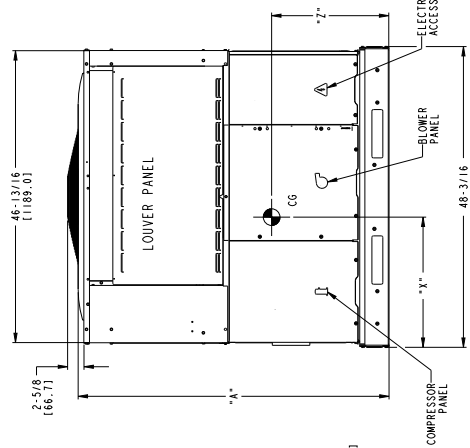
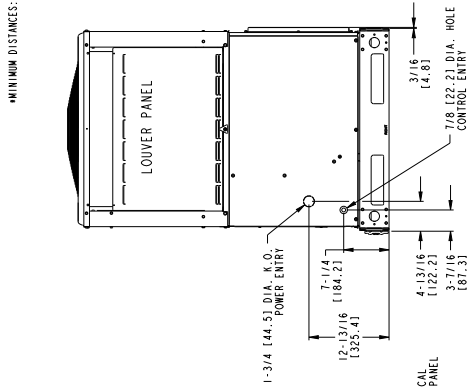
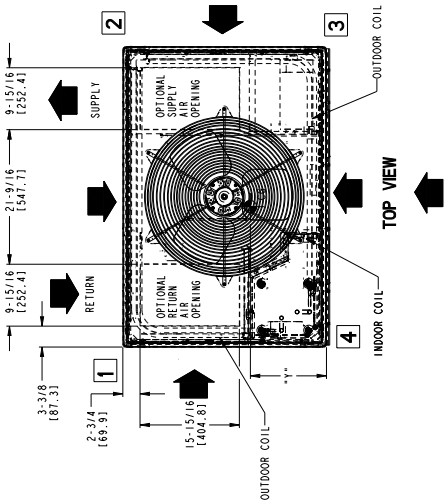
	INCHES (MM)
BETWEEN UNITS, POWER ENTRY SIDE.....	42 (1066.8)
UNIT AND UNGROUNDING SURFACES, POWER ENTRY SIDE.....	36 (914.0)
UNIT AND SLOPE OR CONCRETE WALLS AND OTHER GROUNDING SURFACES, POWER ENTRY SIDE.....	42 (1066.8)

REQUIRED CLEARANCE FOR OPERATION AND SERVICING

	INCHES (MM)
EMP. COIL ACCESS SIDE.....	36 (914.0)
POWER ENTRY SIDE.....	42 (1066.8)
(EXCEPT FOR REC. REQUIREMENTS)	
DUCT SIDE OPPOSITE DUCTS.....	48 (1219.2)
DUCT SIDE OPPOSITE DUCTS.....	36 (914.0)
DUCT PANEL.....	12 (304.8)

*MINIMUM DISTANCES IF UNIT IS PLACED LESS THAN 12 (304.8) FROM WALL SYSTEM, THEN SYSTEM PERFORMANCE MAY BE COMPROMISED.

DIMENSIONS IN () ARE IN MILLIMETERS



SD5904-4 A

PHR5 Series K 36-60 Unit Dimensions

COOLING CAPACITY	UNIT WT.		UNIT HEIGHT		CENTER OF GRAVITY (IN MM)		
	LB	KG	"A"	"B"	X	Y	Z
36	41.3	187.3	44-3/4	1137	20-1/4	514.4	17-1/2
48	447	202.8	48-3/4	1238	20-1/4	514.4	17-1/2
60	503	228.2	54-3/4	1391	20-1/4	514.4	17-1/2

UNIT	CORNER WEIGHTS (LBS/KG)		
	"A"	"B"	"C"
36	48.6	168	152
48	53.8	171	158
60	60.4	180.3	168.4

NOTE: 1. ALL TABLE DATA RELEVANT FOR ALL FACTORY INSTALLED OPTIONS EXCEPT ECONOMIZER.
 2. # - INDICATES ALL F.P.O. CODES FOR THE MODELS LISTED.

REQUIRED CLEARANCES TO COMBUSTIBLE MATL.

TOP OF UNIT.....	14	(355.6)
DUCT SIDE OF UNIT.....	2	(50.8)
DUCT END OF UNIT.....	0	(0.0)
BOTTOM OF UNIT.....	0	(0.0)
ELECTRICAL PANEL.....	36	(914.4)

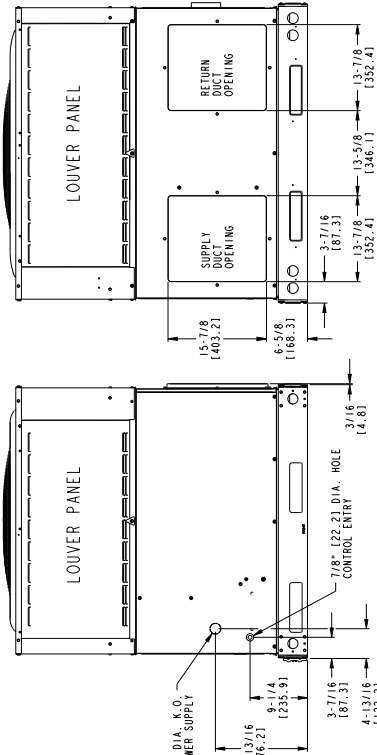
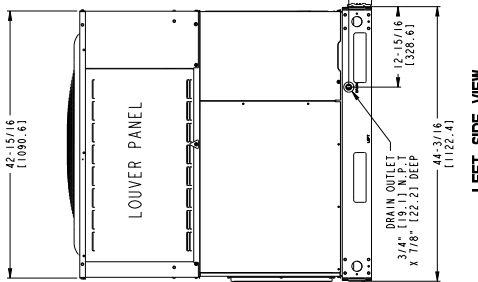
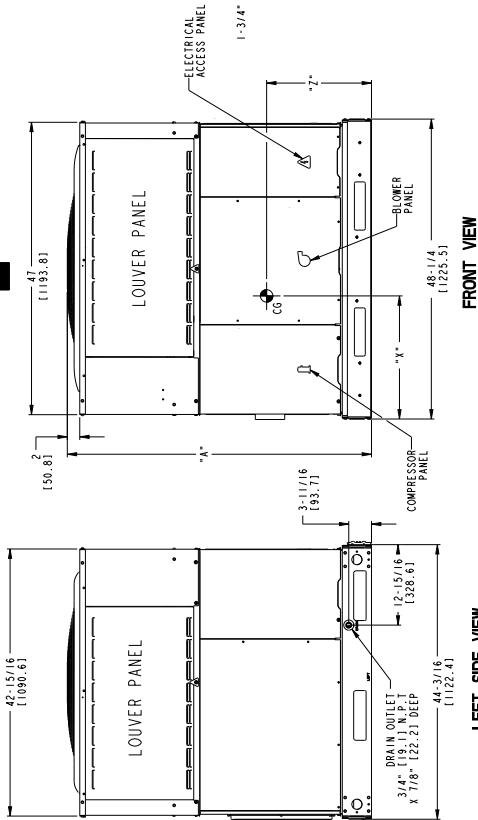
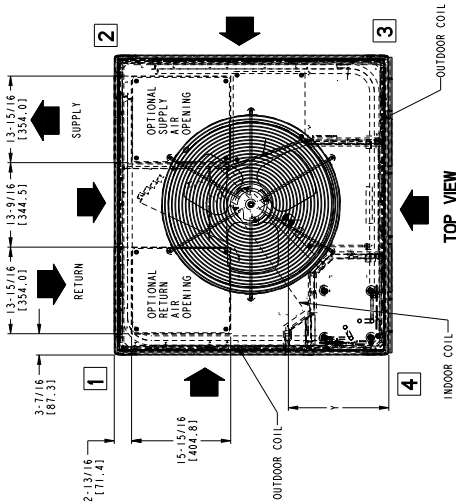
NEC REQUIRED CLEARANCES

BETWEEN UNITS, POWER ENTRY SIDE.....	42	(1066.8)
UNIT AND BUCK FOR CONCRETE WALLS AND OTHER GROUNDED SURFACES - POWER ENTRY SIDE.....	42	(1066.8)

REQUIRED CLEARANCE FOR OPERATION AND SERVICING

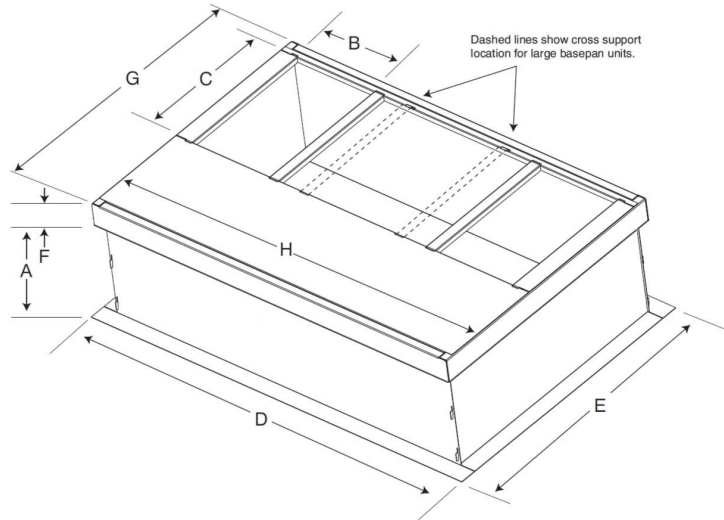
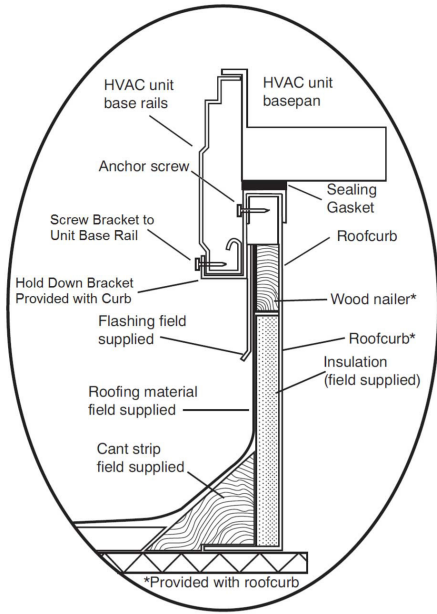
EVAP. COIL ACCESS SIDE.....	36	(914.0)
POWER ENTRY SIDE.....	42	(1066.8)
UNIT TOP FOR NEC REQUIREMENTS.....	48	(1219.2)
DUCT OPPOSITE DUCTS.....	36	(914.0)
DUCT PANEL.....	12	(304.8)

*MINIMUM DISTANCES-IF UNIT IS PLACED LESS THAN 12" (304.8) FROM WALL SYSTEM, THEN SYSTEM PERFORMANCE MAYBE COMPROMISED. DIMENSIONS IN () ARE IN MM

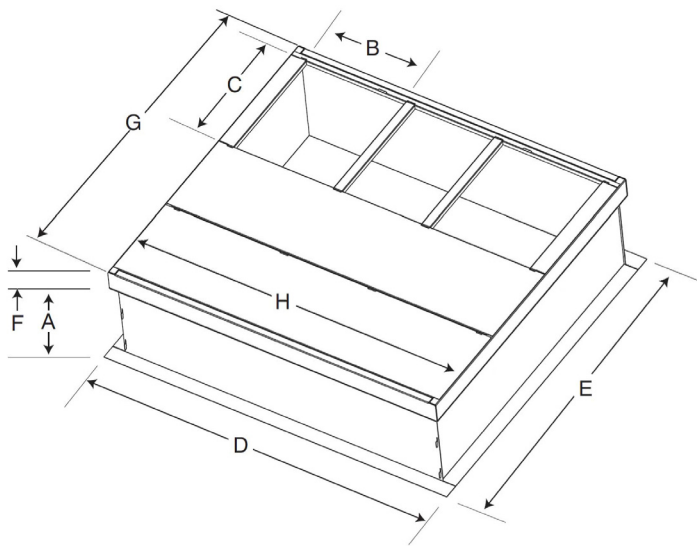


SD5904-4 A

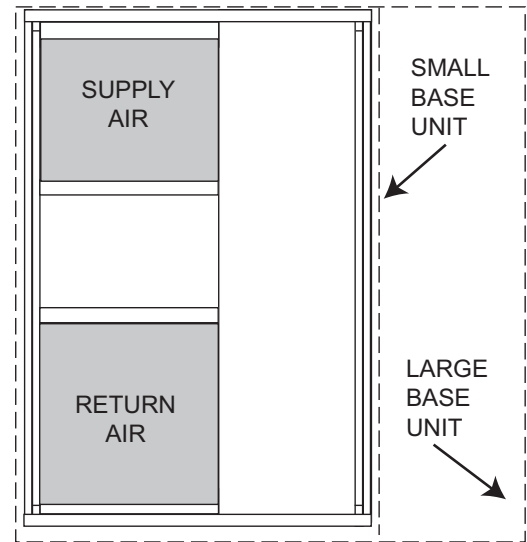
Roof Curb Accessory



SMALL/COMMON CURB



LARGE CURB



UNIT PLACEMENT ON COMMON CURB

SMALL OR LARGE BASE UNIT

A180216

UNIT SIZE	CATALOG NUMBER	A IN. (mm)	B (small/common base) IN. (mm)*	B (large base) IN. (mm)*	C IN. (mm)	D IN. (mm)	E IN. (mm)	F IN. (mm)	G IN. (mm)	H IN. (mm)
Small or Large	CPRFCURB011B00	14 (356)	10 (254)	14 (356)	16 (406)	47.8 (1214)	32.4 (822)	2.7 (69)	30.6 (778)	46.1 (1170)
Large	CPRFCURB013B00	14 (356)	14 (356)				43.9 (1116)		42.2 (1072)	

*. * Part Number CPRFCURB011B00 can be used on both small and large basepan units. The cross supports must be located based on whether the unit is a small basepan or a large basepan.

NOTES:

1. Roof curb must be set up for unit being installed.
2. Seal strip must be applied, as required, to unit being installed.
3. Roof curb is made of 16-gauge steel.
4. Attach ductwork to curb (flanges of duct rest on curb).
5. Insulated panels: 1-in. (25.4 mm) thick fiberglass 1 lb. density.

Manufacturer reserves the right to change, at any time, specifications and designs without notice and without obligations.

Selection Procedure (with example)

Determine cooling and heating requirements at design conditions:

Given:

Required Cooling Capacity (TC).....	34,000 Btuh
Sensible Heat Capacity (SHC).....	24,000 Btuh
Required Heating Capacity	15,000 Btuh
Condenser Entering Air Temperature	95°F(35°C)
Indoor-Air Temperature	80°F (26°C) edb
.....	67°F (19°C) ewb
Evaporator Air Quantity.....	1200 CFM
External Static Pressure	0.20 IN. W.C.
Electrical Characteristics	230-1-60

Select unit based on required cooling capacity.

Enter Net Cooling Capacities table at condenser entering temperature of 95°F (35°C), indoor air entering at 1200 cfm and 67°F (19°C) ewb (entering wet bulb). The unit will provide a total capacity of 34,200 Btuh and a SHC of 26,300 Btuh.

Select electric heat.

The required heating capacity is 15,000 Btuh.

Determine additional electric heat capacity in kW.

$$\frac{15,000 \text{ Btuh}}{3414 \text{ Btuh/kW}} = 4.4 \text{ kW of heat required}$$

Enter the electric Heater Packages table for 208/240, single-phase, A36 unit. The 5 kW heater at 240v most closely satisfies the heating required. To calculate kW at the 230v, multiply the heater kW by multiplication factor 0.92 found in the Wattage Multiplication Factors table.

$$5 \text{ kW} \times 0.92 = 4.60 \text{ kW}$$

$$4.60 \text{ kW} \times 3414 = 15,704 \text{ Btuh}$$

Determine fan speed and power requirements at design conditions.

Before entering the air delivery tables, calculate the total static pressure required. From the given example, the Wet Coil Pressure Drop Table, and the Filter Pressure Drop Table:

External Static Pressure	0.200 IN. W.C.
Filter	0.060 IN. W.C.
Wet Coil Pressure Drop	<u>0.060 IN. W.C.</u>
Total Static Pressure	0.320 IN. W.C.

Enter the table for Wet Coil Air Delivery—horizontal discharge, 230. At 0.30 IN. W.C. ESP (external static pressure) and medium speed, the fan will deliver 1294 cfm.

Select unit that corresponds to power source available.

The Electrical Data Table shows that the unit is designed to operate at 230-1-60.

Performance Data 024 High Cool

EVAPORATOR		CONDENSER ENTERING AIR TEMPERATURES °F (°C)																	
AIR		75 (23.9)			85 (29.4)			95 (35)			105 (40.6)			115 (46.1)			125 (51.7)		
CFM	EWB	Capacity MBtuh		Total Sys KW	Capacity MBtuh		Total Sys KW	Capacity MBtuh		Total Sys KW	Capacity MBtuh		Total Sys KW	Capacity MBtuh		Total Sys KW	Capacity MBtuh		Total Sys KW
		Total	Sens	Total	Sens	Total	Sens	Total	Sens	Total	Sens	Total	Sens	Total	Sens	Total	Sens	Total	Sens
700	57 (13.8)	21.10	21.10	1.50	20.41	20.41	1.65	18.57	18.57	1.84	17.66	17.66	2.07	16.33	16.33	2.28	15.32	15.32	2.55
	62 (16.6)	21.92	21.02	1.50	20.98	20.60	1.65	19.10	18.76	1.84	18.15	17.82	2.07	16.78	16.45	2.28	15.74	15.05	2.55
	63* (17.2)	22.36	16.96	1.50	21.39	16.49	1.65	19.29	15.42	1.84	18.12	15.26	2.07	16.57	14.49	2.28	15.23	14.03	2.55
	67 (19.4)	24.04	17.66	1.52	23.00	17.18	1.67	20.72	16.06	1.86	19.48	15.90	2.07	17.82	15.09	2.28	16.37	14.61	2.55
	72 (22.2)	26.20	14.13	1.53	25.07	13.57	1.69	22.65	12.64	1.88	21.23	12.40	2.09	19.43	11.62	2.30	17.84	11.11	2.57
855	57 (13.8)	23.65	23.65	1.55	22.87	22.87	1.70	20.81	20.81	1.89	19.79	19.79	2.12	18.30	18.27	2.33	17.17	16.71	2.60
	62 (16.6)	23.91	23.34	1.55	22.87	22.87	1.70	20.83	20.83	1.89	19.79	19.79	2.12	18.30	18.27	2.33	17.17	16.71	2.60
	63* (17.2)	24.17	18.83	1.55	23.12	18.31	1.70	20.85	17.12	1.89	19.58	16.95	2.12	17.92	16.09	2.33	16.46	15.58	2.60
	67 (19.4)	25.98	19.61	1.57	24.86	19.08	1.72	22.40	17.83	1.91	21.06	17.65	2.12	19.26	16.76	2.33	17.70	16.23	2.60
900	72 (22.2)	28.32	15.69	1.58	27.10	15.07	1.74	24.48	14.03	1.93	22.95	13.77	2.14	21.00	12.91	2.35	19.29	12.33	2.62
	57 (13.8)	23.89	23.65	1.56	23.12	22.87	1.72	21.03	20.81	1.91	20.00	19.79	2.13	18.49	18.27	2.34	17.35	16.71	2.61
	62 (16.6)	24.16	23.59	1.56	23.12	22.87	1.72	21.05	20.83	1.91	20.00	19.79	2.13	18.49	18.27	2.34	17.35	16.71	2.61
	63* (17.2)	24.42	18.83	1.56	23.37	18.31	1.72	21.07	17.12	1.91	19.79	16.95	2.13	18.10	16.09	2.34	16.63	15.58	2.61
	67 (19.4)	26.26	19.61	1.58	25.13	19.08	1.73	22.64	17.83	1.92	21.28	17.65	2.13	19.47	16.76	2.34	17.88	16.23	2.61
72 (22.2)	28.62	15.69	1.60	27.39	15.07	1.75	24.74	14.03	1.94	23.19	13.77	2.16	21.22	12.91	2.37	19.49	12.33	2.64	

See Legend and Notes on page 18.

024 High Heat

INDOOR AIR		OUTDOOR COIL ENTERING AIR TEMPERATURE																							
EDB	CFM	-10°F (-23.3°C)		0°F (-17.8°C)		10°F (-12.2°C)		20°F (-6.7°C)		30°F (-1.1°C)		40°F (4.4°C)		50°F (8.3°C)		60°F (15.6°C)									
		Capacity (Mbtuh)		Total Sys kW	Capacity (Mbtuh)		Total Sys kW	Capacity (Mbtuh)		Total Sys kW	Capacity (Mbtuh)		Total Sys kW	Capacity (Mbtuh)		Total Sys kW	Capacity (Mbtuh)		Total Sys kW						
		Total	Integ	Total	Integ	Total	Integ	Total	Integ	Total	Integ	Total	Integ	Total	Integ	Total	Integ	Total	Integ						
65°F (18.3°C)	700	6.0	5.6	1.34	8.0	7.3	1.39	10.6	9.7	1.45	13.5	12.3	1.50	16.9	14.8	1.56	20.6	20.6	1.65	25.2	25.2	1.74	27.8	27.8	1.87
	855	6.1	5.6	1.39	8.1	7.4	1.43	10.7	9.8	1.49	13.7	12.4	1.53	17.1	15.0	1.59	20.8	20.8	1.67	25.4	25.4	1.75	28.1	28.1	1.87
	900	6.2	5.7	1.37	8.1	7.5	1.41	10.8	9.9	1.46	13.7	12.4	1.50	17.2	15.0	1.56	20.8	20.8	1.63	25.7	25.7	1.71	28.2	28.2	1.82
70°F (21.1°C)	700	5.9	5.4	1.41	7.8	7.1	1.46	10.3	9.5	1.52	13.2	11.9	1.57	16.5	14.4	1.64	20.0	20.0	1.72	24.5	24.5	1.82	27.1	27.1	1.95
	855	6.0	5.5	1.45	7.9	7.2	1.49	10.4	9.6	1.55	13.3	12.3	1.60	16.7	15.1	1.66	20.2	20.2	1.74	24.8	24.3	1.83	27.4	27.4	1.94
	900	6.0	5.5	1.42	7.9	7.3	1.47	10.5	9.6	1.52	13.4	12.1	1.57	16.7	14.6	1.62	20.3	20.3	1.70	25.0	25.0	1.78	27.4	27.4	1.89
75°F (23.9°C)	700	5.8	5.3	1.47	7.6	7.0	1.52	10.1	9.3	1.59	12.9	11.7	1.64	16.3	14.3	1.71	19.8	19.8	1.80	24.2	24.2	1.90	26.8	26.8	2.04
	855	5.8	5.4	1.51	7.7	7.1	1.55	10.2	9.4	1.61	13.1	11.8	1.66	16.5	14.4	1.72	20.0	20.0	1.81	24.5	24.5	1.90	27.1	27.1	2.02
	900	5.9	5.4	1.48	7.7	7.1	1.52	10.3	9.4	1.58	13.1	11.9	1.63	16.5	14.5	1.68	20.1	20.1	1.76	24.8	24.8	1.85	27.1	27.1	1.97

See Legend and Notes on page 18.

Performance Data (Continued)

024 Low Cool

EVAPORATOR		CONDENSER ENTERING AIR TEMPERATURES °F (°C)																	
AIR		75 (23.9)			85 (29.4)			95 (35)			105 (40.6)			115 (46.1)			125 (51.7)		
CFM	EWB	Capacity MBtuh		Total Sys KW	Capacity MBtuh		Total Sys KW	Capacity MBtuh		Total Sys KW	Capacity MBtuh		Total Sys KW	Capacity MBtuh		Total Sys KW	Capacity MBtuh		Total Sys KW
		Total	Sens		Total	Sens		Total	Sens		Total	Sens		Total	Sens		Total	Sens	
525	57 (13.8)	16.08	16.08	0.93	14.71	14.71	1.16	13.49	13.49	1.33	12.46	12.46	1.45	11.18	11.18	1.65	10.13	10.13	1.86
	62 (16.6)	16.67	15.41	0.93	15.09	13.95	1.16	13.85	13.85	1.33	12.79	12.79	1.45	11.47	11.47	1.65	10.39	10.39	1.86
	63* (17.2)	17.00	12.56	0.93	15.39	11.72	1.16	13.98	11.48	1.33	12.76	11.12	1.45	11.32	10.38	1.65	10.05	8.97	1.86
	67 (19.4)	18.28	13.08	0.94	16.55	12.21	1.17	15.02	11.96	1.35	13.72	11.58	1.45	12.17	11.09	1.65	10.80	9.34	1.86
	72 (22.2)	19.92	10.46	0.95	18.03	9.64	1.18	16.42	9.41	1.36	14.95	9.04	1.47	13.27	8.54	1.66	11.77	7.01	1.88
675	57 (13.8)	17.82	17.82	0.98	16.31	16.31	1.21	14.95	14.95	1.38	13.81	13.81	1.50	12.39	12.39	1.69	11.23	11.23	1.90
	62 (16.6)	18.02	18.02	0.98	16.31	16.31	1.21	14.97	14.97	1.38	13.81	13.81	1.50	12.39	12.39	1.69	11.23	11.23	1.90
	63* (17.2)	18.21	14.68	0.98	16.49	13.70	1.21	14.98	13.42	1.38	13.67	13.00	1.50	12.13	12.13	1.69	10.76	10.48	1.90
	67 (19.4)	19.58	15.29	0.99	17.73	14.27	1.22	16.09	13.98	1.39	14.70	13.54	1.50	13.04	12.96	1.69	11.57	10.92	1.90
700	72 (22.2)	21.34	12.23	1.00	19.32	11.27	1.23	17.59	11.00	1.41	16.02	10.56	1.51	14.22	9.98	1.71	12.61	8.19	1.92
	57 (13.8)	17.93	17.19	0.98	16.41	15.81	1.21	15.04	14.81	1.39	13.90	13.61	1.51	12.46	12.21	1.70	11.29	11.18	1.91
	62 (16.6)	18.12	17.38	0.98	16.41	15.81	1.21	15.05	14.82	1.39	13.90	13.61	1.51	12.46	12.21	1.70	11.29	11.18	1.91
	63* (17.2)	18.32	14.15	0.98	16.58	13.28	1.21	15.07	13.29	1.39	13.75	12.81	1.51	12.20	11.95	1.70	10.83	10.44	1.91
	67 (19.4)	19.70	14.74	0.99	17.83	13.84	1.23	16.19	13.84	1.40	14.78	13.34	1.51	13.12	12.23	1.70	11.64	10.87	1.91
72 (22.2)	21.47	11.80	1.00	19.44	10.93	1.24	17.69	10.89	1.42	16.11	10.41	1.52	14.30	9.83	1.72	12.69	8.15	1.93	

See Legend and Notes on page 18.

024 Low Heat

INDOOR AIR		OUTDOOR COIL ENTERING AIR TEMPERATURES °F (°C)																				
		0 (-17.8)			10 (-12.2)			20 (-6.7)			30 (-1.1)			40 (4.4)			50 (10)			60 (15.6)		
EDB	CFM	Capacity MBtuh		Total Sys KW	Capacity MBtuh		Total Sys KW	Capacity MBtuh		Total Sys KW	Capacity MBtuh		Total Sys KW	Capacity MBtuh		Total Sys KW	Capacity MBtuh		Total Sys KW	Capacity MBtuh		Total Sys KW
		Total	Integ		Total	Integ		Total	Integ		Total	Integ		Total	Integ		Total	Integ		Total	Integ	
65°F (18.3°C)	525	4.9	4.5	0.99	7.4	6.8	1.04	9.3	8.4	1.11	11.8	10.3	1.12	14.3	14.3	1.19	17.2	17.2	1.24	20.3	20.3	1.31
	675	4.9	4.6	0.99	7.5	6.9	1.03	9.4	8.5	1.09	11.9	10.5	1.10	14.5	14.5	1.15	17.4	17.4	1.20	20.6	20.6	1.25
	700	5.0	4.6	0.97	7.5	6.9	1.00	9.4	8.5	1.06	12.0	10.5	1.07	14.5	14.5	1.12	17.6	17.6	1.16	20.6	20.6	1.22
70°F (21.1°C)	525	4.8	4.4	1.04	7.2	6.6	1.09	9.0	8.2	1.16	11.5	10.1	1.18	14.0	14.0	1.24	16.8	16.8	1.30	19.8	19.8	1.37
	675	4.8	4.4	1.03	7.3	6.7	1.07	9.1	8.4	1.13	11.6	10.5	1.15	14.1	14.1	1.20	16.9	16.9	1.25	20.0	20.0	1.31
	700	4.8	4.5	1.01	7.3	6.7	1.04	9.2	8.3	1.10	11.7	10.2	1.11	14.1	14.1	1.17	17.1	17.1	1.21	20.0	20.0	1.27
75°F (23.9°C)	525	4.7	4.3	1.09	7.0	6.5	1.14	8.8	8.0	1.22	11.4	10.0	1.23	13.8	13.8	1.30	16.6	16.6	1.36	19.6	19.6	1.43
	675	4.7	4.3	1.07	7.1	6.6	1.11	9.0	8.1	1.18	11.5	10.1	1.19	14.0	14.0	1.25	16.8	16.8	1.29	19.8	19.8	1.36
	700	4.7	4.4	1.05	7.2	6.6	1.08	9.0	8.1	1.15	11.5	10.1	1.16	14.0	14.0	1.21	16.9	16.9	1.26	19.8	19.8	1.32

See Legend and Notes on page 18.

Manufacturer reserves the right to change, at any time, specifications and designs without notice and without obligations.

Performance Data (Continued)

036 High Cool

EVAPORATOR AIR		CONDENSER ENTERING AIR TEMPERATURES deg F																	
CFM	EWB	75 (23.9)			85 (29.4)			95 (35)			105 (40.6)			115 (46.1)			125 (51.7)		
		Capacity MBtuh		Total Sys KW	Capacity MBtuh		Total Sys KW	Capacity MBtuh		Total Sys KW	Capacity MBtuh		Total Sys KW	Capacity MBtuh		Total Sys KW	Capacity MBtuh		Total Sys KW
		Total	Sens		Total	Sens		Total	Sens		Total	Sens		Total	Sens		Total	Sens	
1050	57 (13.8)	32.95	32.95	2.22	31.81	31.81	2.44	30.30	30.30	2.71	29.13	29.13	3.05	26.03	26.03	3.36	24.36	24.36	3.75
	62 (16.6)	34.23	32.23	2.22	32.68	31.44	2.44	31.17	29.74	2.71	29.93	27.46	3.05	26.75	25.38	3.36	25.03	23.21	3.75
	63* (17.2)	34.91	26.00	2.22	33.34	25.15	2.44	31.48	24.30	2.71	29.88	23.33	3.05	26.42	22.36	3.36	24.22	21.63	3.75
	67 (19.4)	37.53	27.09	2.24	35.84	26.20	2.46	33.82	25.31	2.74	32.12	24.30	3.05	28.40	23.29	3.36	26.04	22.53	3.75
	72 (22.2)	40.91	21.67	2.26	39.07	20.70	2.49	36.96	19.92	2.77	35.02	18.95	3.08	30.96	17.93	3.39	28.38	17.12	3.78
1200	57 (13.8)	34.55	34.55	2.26	33.35	32.94	2.49	31.77	30.90	2.76	30.54	28.53	3.10	27.29	26.37	3.40	25.54	24.11	3.79
	62 (16.6)	34.93	33.49	2.26	33.35	32.66	2.49	31.81	30.90	2.76	30.54	28.53	3.10	27.29	26.37	3.40	25.54	24.11	3.79
	63* (17.2)	35.30	27.02	2.26	33.71	26.13	2.49	31.84	25.25	2.76	30.22	24.24	3.10	26.72	23.23	3.40	24.49	22.47	3.79
	67 (19.4)	37.96	28.14	2.29	36.25	27.22	2.51	34.20	26.30	2.79	32.49	25.25	3.10	28.73	24.20	3.40	26.33	23.41	3.79
1350	72 (22.2)	41.38	22.51	2.31	39.51	21.50	2.54	37.38	20.70	2.82	35.41	19.69	3.13	31.31	18.63	3.44	28.70	17.79	3.83
	57 (13.8)	35.75	35.75	2.31	34.52	34.52	2.53	32.88	32.88	2.81	31.61	30.49	3.14	28.25	28.19	3.45	26.44	25.77	3.84
	62 (16.6)	36.15	36.15	2.31	34.52	34.52	2.53	32.92	32.92	2.81	31.61	30.49	3.14	28.25	28.19	3.45	26.44	25.77	3.84
	63* (17.2)	36.54	28.87	2.31	34.89	27.93	2.53	32.95	26.98	2.81	31.27	25.90	3.14	27.65	24.83	3.45	25.35	24.02	3.84
	67 (19.4)	39.29	30.08	2.34	37.52	29.09	2.56	35.40	28.11	2.84	33.63	26.98	3.14	29.73	25.86	3.45	27.26	25.02	3.84
	72 (22.2)	42.83	24.06	2.36	40.90	22.98	2.58	38.69	22.12	2.87	36.65	21.05	3.18	32.41	19.91	3.49	29.71	19.01	3.88

See Legend and Notes on page 18.

036 High Heat

INDOOR AIR		OUTDOOR COIL ENTERING AIR TEMPERATURE																							
EDB	CFM	-10°F (-23.3°C)		0°F (-17.8°C)		10°F (-12.2°C)		20°F (-6.7°C)		30°F (-1.1°C)		40°F (4.4°C)		50°F (8.3°C)		60°F (15.6°C)									
		Capacity (Mbtuh)		Total Sys kW	Capacity (Mbtuh)		Total Sys kW	Capacity (Mbtuh)		Total Sys kW	Capacity (Mbtuh)		Total Sys kW	Capacity (Mbtuh)		Total Sys kW	Capacity (Mbtuh)		Total Sys kW						
		Total	Integ		Total	Integ		Total	Integ		Total	Integ		Total	Integ		Total	Integ							
65°F (18.3°C)	1050	9.1	8.4	2.01	12.6	11.6	2.08	16.1	14.8	2.16	21.0	19.0	2.24	25.4	22.3	2.32	30.6	30.6	2.44	36.5	36.5	2.58	43.1	43.1	2.81
	1200	9.2	8.5	2.06	12.8	11.7	2.12	16.3	15.0	2.20	21.3	19.2	2.27	25.7	22.5	2.36	30.9	30.9	2.47	36.8	36.8	2.60	43.6	43.6	2.82
	1350	9.4	8.6	2.11	12.9	11.9	2.17	16.5	15.1	2.25	21.4	19.4	2.32	25.8	22.6	2.39	31.1	31.1	2.50	37.2	37.2	2.62	43.7	43.7	2.83
70°F (21.1°C)	1050	8.9	8.2	2.10	12.3	11.3	2.17	15.7	14.4	2.26	20.5	18.5	2.34	24.7	21.7	2.43	29.8	29.8	2.55	35.5	35.5	2.70	42.0	42.0	2.94
	1200	9.0	8.3	2.15	12.4	11.4	2.21	15.9	14.6	2.29	20.7	18.7	2.37	25.0	21.9	2.45	30.1	30.1	2.57	35.9	35.9	2.71	42.4	42.4	2.93
	1350	9.1	8.4	2.19	12.6	11.6	2.26	16.0	14.7	2.33	20.9	18.9	2.41	25.2	22.1	2.49	30.3	30.3	2.60	36.2	36.2	2.73	42.6	42.6	2.94
75°F (23.9°C)	1050	8.7	8.0	2.19	12.0	11.1	2.27	15.4	14.2	2.35	20.1	18.2	2.44	24.5	21.5	2.53	29.5	29.5	2.66	35.1	35.1	2.81	41.6	41.6	3.06
	1200	8.8	8.1	2.23	12.2	11.2	2.30	15.6	14.3	2.38	20.3	18.4	2.46	24.8	21.7	2.55	29.8	29.8	2.67	35.5	35.5	2.81	42.0	42.0	3.05
	1350	9.0	8.2	2.28	12.3	11.3	2.34	15.7	14.5	2.42	20.4	18.5	2.50	24.9	21.8	2.58	30.0	30.0	2.70	35.9	35.9	2.83	42.2	42.2	3.05

See Legend and Notes on page 18.

Performance Data (Continued)

036 Low Cool

EVAPORATOR AIR		CONDENSER ENTERING AIR TEMPERATURES °F (°C)																	
CFM	EWB	75 (23.9)			85 (29.4)			95 (35)			105 (40.6)			115 (46.1)			125 (51.7)		
		Capacity MBtuh		Total Sys KW	Capacity MBtuh		Total Sys KW	Capacity MBtuh		Total Sys KW	Capacity MBtuh		Total Sys KW	Capacity MBtuh		Total Sys KW	Capacity MBtuh		Total Sys KW
		Total	Sens		Total	Sens		Total	Sens		Total	Sens		Total	Sens		Total	Sens	
775	57 (13.8)	25.00	25.00	1.39	22.88	22.88	1.73	20.98	20.98	1.98	19.02	19.02	2.16	16.90	16.90	2.44	15.00	15.00	2.75
	62 (16.6)	25.98	24.89	1.39	23.51	23.09	1.73	21.58	21.58	1.98	19.54	19.54	2.16	17.36	17.36	2.44	15.41	15.41	2.75
	63* (17.2)	26.49	20.08	1.39	23.98	18.74	1.73	21.79	17.02	1.98	19.51	15.68	2.16	17.15	14.15	2.44	14.91	12.70	2.75
	67 (19.4)	28.49	20.92	1.40	25.79	19.52	1.74	23.41	17.73	2.00	20.98	16.33	2.16	18.44	14.74	2.44	16.03	13.23	2.75
	72 (22.2)	31.05	16.73	1.42	28.11	15.42	1.76	25.59	13.95	2.02	22.87	12.74	2.18	20.10	11.35	2.47	17.48	9.92	2.78
900	57 (13.8)	26.64	26.64	1.43	24.38	24.38	1.77	22.35	21.99	2.02	20.26	19.49	2.20	18.00	16.96	2.48	15.98	14.38	2.79
	62 (16.6)	26.93	26.28	1.43	24.38	24.38	1.77	22.37	21.99	2.02	20.26	19.49	2.20	18.00	16.96	2.48	15.98	14.38	2.79
	63 (17.2)	27.23	21.20	1.43	24.65	19.79	1.77	22.40	17.97	2.02	20.05	16.56	2.20	17.62	14.94	2.48	15.32	13.41	2.79
	67 (19.4)	29.28	22.08	1.44	26.50	20.61	1.78	24.06	18.72	2.04	21.56	17.25	2.20	18.95	15.56	2.48	16.48	13.96	2.79
1025	72 (22.2)	31.91	17.67	1.46	28.89	16.28	1.80	26.29	14.73	2.06	23.50	13.45	2.22	20.65	11.98	2.51	17.96	10.47	2.82
	57 (13.8)	27.91	27.91	1.47	25.55	25.55	1.81	23.42	23.42	2.06	21.23	21.08	2.24	18.86	18.35	2.52	16.75	15.56	2.83
	62 (16.6)	28.22	28.22	1.47	25.55	25.55	1.81	23.44	23.44	2.06	21.23	21.08	2.24	18.86	18.35	2.52	16.75	15.56	2.83
	63* (17.2)	28.53	22.94	1.47	25.82	21.41	1.81	23.47	19.44	2.06	21.01	17.91	2.24	18.46	16.16	2.52	16.06	14.50	2.83
	67 (19.4)	30.67	23.89	1.48	27.77	22.30	1.82	25.21	20.25	2.08	22.59	18.66	2.24	19.85	16.84	2.52	17.26	15.11	2.83
	72 (22.2)	33.43	19.11	1.50	30.27	17.62	1.84	27.55	15.94	2.10	24.62	14.55	2.26	21.64	12.97	2.55	18.82	11.33	2.86

See Legend and Notes on page 18.

036 Low Heat

INDOOR AIR		OUTDOOR COIL ENTERING AIR TEMPERATURES °F (°C)																				
EDB	CFM	0 (-17.8)			10 (-12.2)			20 (-6.7)			30 (-1.1)			40 (4.4)			50 (10)			60 (15.6)		
		Capacity MBtuh		Total Sys KW	Capacity MBtuh		Total Sys KW	Capacity MBtuh		Total Sys KW	Capacity MBtuh		Total Sys KW	Capacity MBtuh		Total Sys KW	Capacity MBtuh		Total Sys KW	Capacity MBtuh		Total Sys KW
		Total	Integ		Total	Integ		Total	Integ		Total	Integ		Total	Integ		Total	Integ		Total	Integ	
65°F (18.3°C)	775	6.3	5.8	1.43	9.1	8.4	1.49	14.1	12.7	1.54	16.9	14.8	1.61	20.6	20.6	1.69	24.8	24.8	1.79	29.8	29.8	1.95
	900	6.4	5.9	1.49	9.2	8.5	1.54	14.2	12.9	1.59	17.0	14.9	1.65	20.8	20.8	1.73	25.1	25.1	1.82	30.1	30.1	1.97
	1025	6.5	6.0	1.54	9.4	8.6	1.60	14.3	13.0	1.64	17.2	15.1	1.70	21.0	21.0	1.77	25.4	25.4	1.86	30.2	30.2	2.01
70°F (21.1°C)	775	6.2	5.7	1.50	8.9	8.2	1.56	13.7	12.4	1.62	16.4	14.4	1.68	20.1	20.1	1.77	24.2	24.2	1.87	29.0	29.0	2.04
	900	6.2	5.7	1.55	9.0	8.3	1.61	13.8	12.5	1.66	16.6	14.5	1.72	20.3	20.3	1.80	24.4	24.0	1.90	29.3	29.3	2.06
	1025	6.4	5.9	1.60	9.1	8.4	1.66	14.0	12.6	1.71	16.7	14.7	1.76	20.4	20.4	1.84	24.7	24.7	1.93	29.4	29.4	2.08
75°F (23.9°C)	775	6.0	5.5	1.57	8.7	8.0	1.63	13.4	12.1	1.69	16.3	14.2	1.75	19.9	19.9	1.84	23.9	23.9	1.95	28.7	28.7	2.12
	900	6.1	5.6	1.61	8.8	8.1	1.67	13.6	12.3	1.73	16.4	14.4	1.79	20.1	20.1	1.87	24.2	24.2	1.97	29.0	29.0	2.14
	1025	6.2	5.7	1.66	8.9	8.2	1.72	13.7	12.4	1.77	16.6	14.5	1.83	20.2	20.2	1.91	24.4	24.4	2.00	29.1	29.1	2.16

See Legend and Notes on page 18.

Manufacturer reserves the right to change, at any time, specifications and designs without notice and without obligations.

Performance Data (Continued)

048 High Cool

EVAPORATOR AIR		CONDENSER ENTERING AIR TEMPERATURES °F (°C)																	
		75 (23.9)			85 (29.4)			95 (35)			105 (40.5)			115 (46.1)			125 (51.7)		
		Capacity MBtuh		Total Sys KW	Capacity MBtuh		Total Sys KW	Capacity MBtuh		Total Sys KW	Capacity MBtuh		Total Sys KW	Capacity MBtuh		Total Sys KW	Capacity MBtuh		Total Sys KW
Total	Sens	Total	Sens		Total	Sens		Total	Sens		Total	Sens		Total	Sens		Total	Sens	
CFM	EWB																		
1400	57 (13.9)	46.09	46.09	3.16	44.33	44.33	3.47	41.64	41.64	3.87	39.19	39.19	4.34	36.41	36.41	4.78	33.05	33.05	5.34
	62 (16.7)	47.88	43.99	3.16	45.55	42.90	3.47	42.84	40.59	3.87	40.27	37.47	4.34	37.41	34.64	4.78	33.96	31.67	5.34
	63* (17.2)	48.84	35.48	3.16	46.46	34.32	3.47	43.26	33.16	3.87	40.19	31.84	4.34	36.95	30.51	4.78	32.85	29.51	5.34
	67 (19.4)	52.51	36.96	3.19	49.96	35.75	3.51	46.47	34.54	3.91	43.22	33.16	4.34	39.73	31.78	4.78	35.32	30.74	5.34
	72 (13.9)	57.24	29.57	3.22	54.45	28.25	3.54	50.79	27.19	3.95	47.11	25.87	4.39	43.31	24.47	4.83	38.50	23.37	5.39
1600	57 (13.9)	48.33	47.62	3.22	46.48	44.95	3.54	43.66	42.17	3.93	41.09	38.93	4.41	38.18	35.99	4.84	34.65	32.90	5.40
	62 (16.7)	48.86	45.70	3.22	46.48	44.58	3.54	43.71	42.17	3.93	41.09	38.93	4.41	38.18	35.99	4.84	34.65	32.90	5.40
	63* (17.2)	49.39	36.87	3.22	46.99	35.66	3.54	43.76	34.45	3.93	40.65	33.08	4.41	37.37	31.70	4.84	33.22	30.66	5.40
	67 (19.4)	53.11	38.40	3.26	50.53	37.15	3.57	47.00	35.89	3.97	43.71	34.45	4.41	40.19	33.02	4.84	35.72	31.94	5.40
	72 (13.9)	57.89	30.72	3.29	55.07	29.35	3.61	51.37	28.25	4.01	47.64	26.87	4.45	43.80	25.42	4.89	38.93	24.28	5.45
1800	57 (13.9)	50.02	50.02	3.29	48.11	48.04	3.60	45.19	45.07	3.99	42.53	41.61	4.47	39.51	38.46	4.91	35.86	35.16	5.46
	62 (16.7)	50.57	49.35	3.29	48.11	47.64	3.60	45.24	45.07	3.99	42.53	41.61	4.47	39.51	38.46	4.91	35.86	35.16	5.46
	63* (17.2)	51.12	39.40	3.29	48.63	38.11	3.60	45.29	36.82	3.99	42.07	35.35	4.47	38.68	33.88	4.91	34.38	32.77	5.46
	67 (19.4)	54.97	41.04	3.32	52.29	39.70	3.64	48.65	38.36	4.03	45.24	36.82	4.47	41.59	35.29	4.91	36.97	34.14	5.46
	72 (13.9)	59.92	32.83	3.35	57.00	31.36	3.67	53.17	30.19	4.07	49.31	28.72	4.51	45.33	27.17	4.96	40.30	25.94	5.52

See Legend and Notes on page 18.

048 High Heat

INDOOR AIR		OUTDOOR COIL ENTERING AIR TEMPERATURE																							
		-10°F (-23.3°C)			0°F (-17.8°C)			10°F (-12.2°C)			20°F (-6.7°C)			30°F (-1.1°C)			40°F (4.4°C)			50°F (8.3°C)			60°F (15.6°C)		
		Capacity (Mbtuh)		Total Sys kW	Capacity (Mbtuh)		Total Sys kW	Capacity (Mbtuh)		Total Sys kW	Capacity (Mbtuh)		Total Sys kW	Capacity (Mbtuh)		Total Sys kW	Capacity (Mbtuh)		Total Sys kW	Capacity (Mbtuh)		Total Sys kW	Capacity (Mbtuh)		Total Sys kW
Total	Integ	Total	Integ		Total	Integ		Total	Integ		Total	Integ		Total	Integ		Total	Integ		Total	Integ		Total	Integ	
EDB	CFM																								
65°F (18.3°C)	1400	13.8	12.7	2.80	18.7	17.2	2.90	24.3	22.4	3.01	28.9	26.2	3.12	34.4	30.2	3.24	40.1	40.1	3.40	47.7	47.7	3.60	54.4	54.4	3.92
	1600	14.0	12.8	2.86	18.9	17.4	2.95	24.6	22.6	3.06	29.2	26.4	3.16	34.8	30.5	3.27	40.5	40.5	3.43	48.2	48.2	3.61	54.9	54.9	3.91
	1800	14.2	13.0	2.93	19.1	17.6	3.01	24.8	22.8	3.11	29.4	26.6	3.21	35.0	30.7	3.32	40.8	40.8	3.46	48.7	48.7	3.64	55.1	55.1	3.92
70°F (21.1°C)	1400	13.4	12.4	2.93	18.2	16.7	3.03	23.7	21.8	3.15	28.2	25.5	3.26	33.5	29.4	3.38	39.1	39.1	3.55	46.5	46.5	3.75	52.9	52.9	4.09
	1600	13.6	12.5	2.98	18.4	16.9	3.08	23.9	22.0	3.19	28.5	25.8	3.29	33.9	29.7	3.41	39.5	39.5	3.57	47.0	47.0	3.76	53.5	53.5	4.08
	1800	13.8	12.7	3.04	18.6	17.1	3.13	24.2	22.2	3.23	28.7	25.9	3.33	34.1	29.9	3.45	39.7	39.7	3.60	47.5	47.5	3.78	53.7	53.7	4.08
75°F (23.9°C)	1400	13.2	12.1	3.06	17.8	16.4	3.16	23.2	21.3	3.28	27.6	25.0	3.40	33.2	29.1	3.53	38.7	38.7	3.71	46.0	46.0	3.91	52.4	52.4	4.26
	1600	13.3	12.3	3.10	18.0	16.6	3.20	23.5	21.6	3.31	27.9	25.2	3.42	33.5	29.4	3.54	39.1	39.1	3.71	46.5	46.5	3.91	52.9	52.9	4.24
	1800	13.5	12.5	3.15	18.2	16.8	3.25	23.7	21.8	3.36	28.1	25.4	3.46	33.8	29.6	3.58	39.3	39.3	3.74	47.0	47.0	3.92	53.2	53.2	4.23

See Legend and Notes on page 18.

Manufacturer reserves the right to change, at any time, specifications and designs without notice and without obligations.

Performance Data (Continued)

048 Low Cool

EVAPORATOR AIR		CONDENSER ENTERING AIR TEMPERATURES °F (°C)																	
CFM	EWB	75 (23.9)			85 (29.4)			95 (35)			105 (40.6)			115 (46.1)			125 (51.7)		
		Capacity MBtuh		Total Sys KW	Capacity MBtuh		Total Sys KW	Capacity MBtuh		Total Sys KW	Capacity MBtuh		Total Sys KW	Capacity MBtuh		Total Sys KW	Capacity MBtuh		Total Sys KW
		Total	Sens		Total	Sens		Total	Sens		Total	Sens		Total	Sens		Total	Sens	
1050	57 (13.8)	35.20	35.20	1.94	32.22	32.22	2.41	29.53	29.53	2.77	26.78	26.78	3.01	23.79	23.79	3.41	21.12	21.12	3.84
	62 (16.6)	36.57	34.36	1.94	33.11	32.34	2.41	30.38	30.38	2.77	27.52	27.52	3.01	24.44	24.44	3.41	21.70	21.70	3.84
	63* (17.2)	37.30	27.72	1.94	33.76	25.87	2.41	30.68	24.02	2.77	27.47	22.44	3.01	24.14	19.54	3.41	20.99	17.95	3.84
	67 (19.4)	40.10	28.87	1.96	36.31	26.95	2.44	32.96	25.02	2.80	29.53	23.37	3.01	25.96	20.35	3.41	22.57	18.70	3.84
	72 (22.2)	43.71	23.10	1.98	39.57	21.29	2.46	36.02	19.69	2.83	32.19	18.23	3.04	28.30	15.67	3.44	24.60	14.02	3.88
1200	57 (13.8)	36.91	36.91	1.99	33.78	33.78	2.46	30.97	30.55	2.82	28.08	27.44	3.06	24.94	23.04	3.46	22.15	20.01	3.89
	62 (16.6)	37.32	35.70	1.99	33.78	33.60	2.46	31.00	30.55	2.82	28.08	27.44	3.06	24.94	23.04	3.46	22.15	20.01	3.89
	63* (17.2)	37.72	28.80	1.99	34.15	26.88	2.46	31.03	24.96	2.82	27.78	23.31	3.06	24.42	20.30	3.46	21.23	18.65	3.89
	67 (19.4)	40.56	30.00	2.01	36.72	28.00	2.49	33.33	26.00	2.85	29.87	24.28	3.06	26.25	21.14	3.46	22.83	19.43	3.89
	72 (22.2)	44.21	24.00	2.03	40.02	22.12	2.51	36.43	20.46	2.88	32.56	18.94	3.09	28.62	16.28	3.49	24.88	14.57	3.93
1350	57 (13.8)	38.20	38.20	2.04	34.96	34.96	2.51	32.05	32.05	2.87	29.06	29.06	3.11	25.81	24.63	3.51	22.92	21.39	3.94
	62 (16.6)	38.62	38.55	2.04	34.96	34.96	2.51	32.08	32.08	2.87	29.06	29.06	3.11	25.81	24.63	3.51	22.92	21.39	3.94
	63* (17.2)	39.04	30.78	2.04	35.34	28.73	2.51	32.12	26.67	2.87	28.75	24.92	3.11	25.27	21.69	3.51	21.98	19.93	3.94
	67 (19.4)	41.98	32.06	2.06	38.00	29.92	2.53	34.50	27.79	2.90	30.91	25.95	3.11	27.17	22.60	3.51	23.63	20.76	3.94
	72 (22.2)	45.76	25.65	2.08	41.42	23.64	2.56	37.71	21.87	2.92	33.70	20.24	3.14	29.62	17.40	3.54	25.76	15.57	3.97

See Legend and Notes on Page 36.

048 Low Heat

Indoor Air		Outdoor Coil Entering Air Temperatures °F (°C)																				
EDB	CFM	0 (-17.8)			10 (-12.2)			20 (-6.7)			30 (-1.1)			40 (4.4)			50 (10)			60 (15.6)		
		Capacity MBtuh		Total Sys KW	Capacity MBtuh		Total Sys KW	Capacity MBtuh		Total Sys KW	Capacity MBtuh		Total Sys KW	Capacity MBtuh		Total Sys KW	Capacity MBtuh		Total Sys KW	Capacity MBtuh		Total Sys KW
		Total	Integ		Total	Integ		Total	Integ		Total	Integ		Total	Integ		Total	Integ		Total	Integ	
65 (18.3)	1050	10.5	9.7	2.01	14.4	13.2	2.08	18.6	16.8	2.16	24.3	21.3	2.24	29.2	29.2	2.36	34.6	34.6	2.49	41.1	41.1	2.71
	1200	10.7	9.9	2.06	14.7	13.5	2.13	19.0	17.2	2.20	24.8	21.7	2.28	29.8	29.8	2.39	35.4	35.4	2.51	42.0	42.0	2.72
	1350	10.9	10.0	2.11	14.8	13.7	2.18	19.2	17.3	2.25	25.0	21.9	2.32	30.0	30.0	2.42	35.7	35.7	2.54	42.1	42.1	2.74
70 (21.1)	1050	10.2	9.4	2.10	14.0	12.9	2.18	18.1	16.4	2.25	23.6	20.7	2.34	28.5	28.5	2.46	33.7	33.7	2.60	40.0	40.0	2.83
	1200	10.5	9.6	2.14	14.3	13.1	2.22	18.5	16.7	2.29	24.1	21.1	2.37	29.1	29.1	2.49	34.4	34.4	2.62	40.9	40.9	2.84
	1350	10.6	9.8	2.19	14.5	13.3	2.26	18.7	16.9	2.33	24.3	21.3	2.41	29.2	29.2	2.52	34.8	34.8	2.64	41.0	41.0	2.85
75 (23.9)	1050	9.8	9.0	2.19	13.4	12.4	2.27	17.6	15.9	2.35	22.7	19.9	2.44	28.2	28.2	2.57	33.4	33.4	2.71	39.6	39.6	2.95
	1200	10.0	9.2	2.23	13.7	12.6	2.31	18.0	16.2	2.38	23.2	20.3	2.47	28.8	28.8	2.59	34.1	34.1	2.72	40.5	40.5	2.95
	1350	10.2	9.4	2.27	13.9	12.8	2.35	18.1	16.4	2.42	23.3	20.4	2.50	28.9	28.9	2.61	34.5	34.5	2.74	40.6	40.6	2.96

See Legend and Notes on page 18.

Performance Data (Continued) 060 High Cool

EVAPORATOR AIR		CONDENSER ENTERING AIR TEMPERATURES °F (°C)																	
CFM	EWB	75 (23.9)			85 (29.4)			95 (35)			105 (40.5)			115 (46.1)			125 (51.7)		
		Capacity MBtuh		Total Sys KW	Capacity MBtuh		Total Sys KW	Capacity MBtuh		Total Sys KW	Capacity MBtuh		Total Sys KW	Capacity MBtuh		Total Sys KW	Capacity MBtuh		Total Sys KW
		Total	Sens		Total	Sens		Total	Sens		Total	Sens		Total	Sens		Total	Sens	
1600	57 (13.9)	53.75	53.75	3.88	52.16	52.16	4.26	48.99	48.99	4.74	46.10	46.10	5.32	42.08	42.08	5.86	39.90	38.47	6.53
	62 (16.7)	55.92	50.45	3.88	53.68	48.32	4.26	50.47	45.72	4.74	47.44	41.77	5.32	43.31	36.90	5.86	41.06	33.66	6.53
	63* (17.2)	57.06	40.70	3.88	54.77	38.66	4.26	51.00	37.35	4.74	47.38	35.48	5.32	42.80	32.50	5.86	39.74	31.38	6.53
	67 (19.4)	61.36	42.39	3.92	58.89	40.27	4.31	54.78	38.91	4.79	50.95	36.96	5.32	46.02	33.85	5.86	42.73	32.68	6.53
	72 (13.9)	66.88	33.91	3.96	62.99	31.81	4.35	56.35	30.62	4.84	55.53	28.83	5.38	50.16	26.07	5.92	46.58	24.84	6.60
1750	57 (13.9)	57.08	54.76	3.93	55.38	50.76	4.31	52.02	47.62	4.79	48.96	43.51	5.37	44.69	38.43	5.90	42.37	35.07	6.58
	62 (16.7)	57.70	52.55	3.93	55.38	50.34	4.31	52.08	47.62	4.79	48.96	43.51	5.37	44.69	38.43	5.90	42.37	35.07	6.58
	63* (17.2)	58.33	42.39	3.93	55.99	40.27	4.31	52.14	38.91	4.79	48.43	36.96	5.37	43.75	33.85	5.90	40.62	32.68	6.58
	67 (19.4)	62.72	44.16	3.97	60.20	41.95	4.36	56.00	40.53	4.84	52.08	38.50	5.37	47.04	35.26	5.90	43.68	34.05	6.58
	72 (13.9)	68.36	35.33	4.01	65.62	33.14	4.40	61.21	31.90	4.89	56.77	30.03	5.43	51.27	27.15	5.96	47.61	25.87	6.65
2000	57 (13.9)	58.71	58.71	4.01	56.97	55.11	4.39	53.51	51.70	4.87	50.35	47.24	5.45	45.96	41.73	5.98	43.58	38.07	6.66
	62 (16.7)	59.35	57.65	4.01	56.97	54.65	4.39	53.57	51.70	4.87	50.35	47.24	5.45	45.96	41.73	5.98	43.58	38.07	6.66
	63* (17.2)	60.00	46.02	4.01	57.59	43.72	4.39	53.63	42.24	4.87	49.82	40.13	5.45	45.00	36.75	5.98	41.78	35.48	6.66
	67 (19.4)	64.51	47.94	4.05	61.92	45.54	4.44	57.60	44.00	4.92	53.57	41.80	5.45	48.38	38.28	5.98	44.93	36.96	6.66
	72 (13.9)	70.32	38.35	4.09	67.49	35.98	4.48	62.96	34.63	4.97	58.39	32.61	5.51	52.74	29.48	6.04	48.97	28.09	6.73

See Legend and Notes on page 18.

060 High Heat

INDOOR AIR		OUTDOOR COIL ENTERING AIR TEMPERATURE																							
EDB	CFM	-10°F (-23.3°C)			0°F (-17.8°C)			10°F (-12.2°C)			20°F (-6.7°C)			30°F (-1.1°C)			40°F (4.4°C)			50°F (8.3°C)			60°F (15.6°C)		
		Capacity (Mbtuh)		Total Sys kW	Capacity (Mbtuh)		Total Sys kW	Capacity (Mbtuh)		Total Sys kW	Capacity (Mbtuh)		Total Sys kW	Capacity (Mbtuh)		Total Sys kW	Capacity (Mbtuh)		Total Sys kW	Capacity (Mbtuh)		Total Sys kW	Capacity (Mbtuh)		Total Sys kW
		Total	Integ		Total	Integ		Total	Integ		Total	Integ		Total	Integ		Total	Integ		Total	Integ		Total	Integ	
65°F (18.3°C)	1600	17.3	15.9	3.46	22.6	20.8	3.58	29.3	26.9	3.71	36.2	32.7	3.70	43.1	37.7	3.98	50.2	50.2	4.14	59.7	59.7	4.39	68.0	68.0	4.98
	1750	17.5	16.1	3.43	22.8	21.0	3.54	29.6	27.2	3.67	36.6	33.1	3.66	43.5	38.1	3.92	50.7	50.7	4.07	60.3	60.3	4.31	68.7	68.7	4.86
	2000	17.7	16.3	3.52	23.1	21.2	3.62	29.9	27.5	3.74	36.8	33.3	3.73	43.8	38.4	3.98	51.0	51.0	4.12	61.0	61.0	4.35	69.0	69.0	4.88
70°F (21.1°C)	1600	16.8	15.5	3.61	22.0	20.2	3.73	28.5	26.2	3.87	35.2	31.9	3.86	41.9	36.7	4.16	48.9	48.9	4.32	58.2	58.2	4.58	66.2	66.2	5.19
	1750	17.0	15.6	3.57	22.2	20.4	3.69	28.8	26.5	3.82	35.6	32.2	3.81	42.4	37.1	4.08	49.4	49.4	4.24	58.8	58.8	4.48	66.9	66.9	5.06
	2000	17.3	15.9	3.65	22.5	20.7	3.76	29.1	26.8	3.89	35.9	32.5	3.88	42.6	37.4	4.14	49.7	49.7	4.28	59.4	59.4	4.52	67.2	67.2	5.07
75°F (23.9°C)	1600	16.5	15.2	3.77	21.5	19.8	3.89	27.9	25.7	4.04	34.5	31.2	4.03	41.5	36.4	4.33	48.4	48.4	4.50	57.6	57.6	4.77	65.6	65.6	5.41
	1750	16.7	15.3	3.72	21.8	20.0	3.83	28.2	26.0	3.97	34.9	31.6	3.96	42.0	36.7	4.25	48.9	48.9	4.41	58.2	58.2	4.66	66.2	66.2	5.26
	2000	16.9	15.6	3.79	22.0	20.3	3.90	28.5	26.2	4.03	35.2	31.8	4.02	42.2	37.0	4.30	49.2	49.2	4.44	58.8	58.8	4.69	66.5	66.5	5.26

See Legend and Notes on page 18.

Manufacturer reserves the right to change, at any time, specifications and designs without notice and without obligations.

Performance Data (Continued)

060 Low Cool

Evaporator Air		Condenser Entering Air Temperatures °F (°C)																	
		75 (23.9)			85 (29.4)			95 (35)			105 (40.6)			115 (46.1)			125 (51.7)		
		Capacity MBtuh	Total Sys KW	Sens	Capacity MBtuh	Total Sys KW	Sens	Capacity MBtuh	Total Sys KW	Sens	Capacity MBtuh	Total Sys KW	Sens	Capacity MBtuh	Total Sys KW	Sens	Capacity MBtuh	Total Sys KW	Sens
CFM	EWB																		
1200	57 (13.8)	39.55	39.55	2.32	36.57	36.57	2.89	33.18	33.18	3.32	30.09	30.09	3.61	26.73	26.73	4.08	23.73	23.73	4.60
	62 (16.6)	41.09	38.67	2.32	37.58	36.40	2.89	34.13	34.13	3.32	30.91	30.91	3.61	27.46	27.46	4.08	24.38	24.38	4.60
	63* (17.2)	41.90	31.20	2.32	38.33	29.12	2.89	34.47	27.04	3.32	30.86	25.26	3.61	27.12	23.77	4.08	23.59	22.28	4.60
	67 (19.4)	45.06	32.50	2.35	41.21	30.33	2.92	37.03	28.16	3.35	33.18	26.31	3.61	29.17	24.76	4.08	25.36	23.21	4.60
	72 (22.2)	49.11	26.00	2.37	44.92	23.96	2.95	40.47	22.17	3.38	36.17	20.52	3.64	31.79	19.07	4.12	27.64	17.41	4.64
1400	57 (13.8)	42.33	42.33	2.39	39.15	38.93	2.95	35.51	35.10	3.38	32.20	31.53	3.67	28.61	28.61	4.15	25.40	25.36	4.66
	62 (16.6)	42.80	41.02	2.39	39.15	38.60	2.95	35.55	35.10	3.38	32.20	31.53	3.67	28.61	28.61	4.15	25.40	25.36	4.66
	63* (17.2)	43.26	33.09	2.39	39.57	30.88	2.95	35.59	28.68	3.38	31.86	26.79	3.67	28.00	25.21	4.15	24.35	23.63	4.66
	67 (19.4)	46.52	34.47	2.41	42.55	32.17	2.98	38.23	29.87	3.41	34.26	27.90	3.67	30.11	26.26	4.15	26.18	24.62	4.66
	72 (22.2)	50.71	27.57	2.44	46.38	25.41	3.01	41.78	23.51	3.45	37.34	21.76	3.71	32.82	20.22	4.19	28.54	18.46	4.71
1550	57 (13.8)	43.12	43.12	2.44	39.87	39.87	3.00	36.17	36.17	3.43	32.80	32.80	3.72	29.14	29.14	4.19	25.87	25.87	4.71
	62 (16.6)	43.59	43.59	2.44	39.87	39.87	3.00	36.21	36.21	3.43	32.80	32.80	3.72	29.14	29.14	4.19	25.87	25.87	4.71
	63* (17.2)	44.07	34.80	2.44	40.31	32.48	3.00	36.25	30.16	3.43	32.45	28.17	3.72	28.52	26.52	4.19	24.80	24.80	4.71
	67 (19.4)	47.38	36.25	2.46	43.34	33.84	3.03	38.94	31.42	3.46	34.89	29.35	3.72	30.67	27.62	4.19	26.67	25.89	4.71
	72 (22.2)	51.65	29.00	2.48	47.24	26.73	3.06	42.56	24.73	3.50	38.03	22.89	3.76	33.43	21.27	4.24	29.07	19.42	4.76

See Legend and Notes on page 18

060 Low Heat

Indoor Air		Outdoor Coil Entering Air Temperatures °F (°C)																				
		0 (-17.8)			10 (-12.2)			20 (-6.7)			30 (-1.1)			40 (4.4)			50 (10)			60 (15.6)		
		Capacity MBtuh	Total Sys KW	Integ	Capacity MBtuh	Total Sys KW	Integ	Capacity MBtuh	Total Sys KW	Integ	Capacity MBtuh	Total Sys KW	Integ	Capacity MBtuh	Total Sys KW	Integ	Capacity MBtuh	Total Sys KW	Integ			
EDB	CFM																			Total	Total	Total
65 (18.3)	1200	13.1	12.0	2.23	17.3	15.9	2.32	22.1	20.0	2.59	28.3	24.8	2.50	33.2	33.2	2.69	39.4	39.4	2.78	46.8	46.8	3.03
	1400	13.3	12.3	2.32	17.7	16.3	2.41	22.5	20.4	2.66	28.9	25.4	2.58	33.9	33.9	2.76	40.2	40.2	2.84	47.7	47.7	3.08
	1550	13.5	12.4	2.36	17.8	16.4	2.44	22.7	20.6	2.68	29.1	25.5	2.60	34.1	34.1	2.77	40.6	40.6	2.86	47.9	47.9	3.08
70 (21.1)	1200	12.7	11.7	2.33	16.8	15.5	2.43	21.5	19.5	2.71	27.6	24.2	2.61	32.4	32.4	2.81	38.4	38.4	2.91	45.5	45.5	3.17
	1400	13.0	12.0	2.42	17.2	15.8	2.51	22.0	19.9	2.77	28.2	24.7	2.68	33.0	33.0	2.87	39.2	39.2	2.96	46.5	46.5	3.21
	1550	13.2	12.1	2.46	17.4	16.0	2.54	22.1	20.0	2.79	28.3	24.8	2.71	33.2	33.2	2.88	39.6	39.6	2.97	46.6	46.6	3.20
75 (23.9)	1200	12.2	11.2	2.44	16.2	14.9	2.53	20.9	18.9	2.82	26.5	23.2	2.73	32.0	32.0	2.93	38.0	38.0	3.03	45.1	45.1	3.31
	1400	12.5	11.5	2.52	16.5	15.2	2.61	21.3	19.3	2.88	27.1	23.7	2.79	32.7	32.7	2.99	38.8	38.8	3.08	46.0	46.0	3.34
	1550	12.6	11.6	2.55	16.7	15.3	2.63	21.5	19.4	2.89	27.2	23.8	2.81	32.9	32.9	2.99	39.2	39.2	3.08	46.2	46.2	3.33

See Legend and Notes on page 18.

Performance Data (Continued)

* At 75°F (24°C) entering dry bulb-Tennessee Valley Authority (TVA) rating conditions; all others at 80°F (27°C) dry bulb.

LEGEND

- BF— Bypass Factor
- edb— Entering Dry-Bulb
- Ewb— Entering Wet-Bulb
- kW — Total Unit Power Input
- SHC— Sensible Heat Capacity (1000 Btuh)
- TC — Total Capacity (1000 Btuh) (net)
- rh—Relative Humidity

COOLING NOTES:

1. Ratings are net; they account for the effects of the evaporator-fan motor power and heat.
2. Direct interpolation is permissible. Do not extrapolate.
3. The following formulas may be used:

$$t_{ldb} = t_{edb} - \frac{\text{Sensible capacity (Btuh)}}{1.10 \times \text{CFM}}$$

$$t_{lwb} = \text{Wet-bulb temperature corresponding to enthalpy air leaving evaporator coil (} t_{lwb} \text{)}$$

$$h_{lwb} = h_{ewb} - \frac{\text{total capacity (Btuh)}}{(4.5 \times \text{CFM})}$$

Where: h_{ewb} = Enthalpy of air entering evaporator coil

4. The SHC is based on 80° F (26.6°C) edb temperature of air entering evaporator coil. Below 80° F (26.6°C) edb, subtract (corr factor x cfm) from SHC. Above 80° F (26.6°C) edb, add (corr factor x cfm) to SHC.
Correction Factor = $1.10 \times (1 + \text{BF}) \times (\text{edb} - 80)$.
5. Integrated capacity is maximum (instantaneous) capacity less the effect of frost on the outdoor coil and the heat required to defrost it.

Multiplication Factors

HEATER KW RATING	VOLTAGE DISTRIBUTION V/3/60	MULTIPLICATION FACTOR
240	200	0.69
	208	0.75
	230	0.92
	240	1.00

Dry Coil Air Delivery* - Horizontal and Downflow Discharge Sizes 24-60 208-230VAC - 1 Phase/3 Phase

Unit Size	Motor Speed	Tap	ESP (in. W.C.)										
			CFM	0.1	0.2	0.3	0.4	0.5	0.6	0.7	0.8	0.9	1
024	Low	Blue	CFM	747	663	575	473	370	289	179	NA	NA	NA
			BHP	0.10	0.11	0.11	0.12	0.12	0.13	0.13	NA	NA	NA
	Med-Low**	Pink	CFM	864	790	716	637	552	468	366	295	203	NA
			BHP	0.15	0.14	0.14	0.15	0.15	0.16	0.17	0.17	0.18	NA
	Medium	Red	CFM	1063	994	929	866	803	741	673	610	528	453
			BHP	0.21	0.22	0.23	0.23	0.24	0.25	0.25	0.26	0.26	0.27
	Med-High‡	Orange	CFM	1134	1077	1020	962	904	842	777	704	634	565
			BHP	0.27	0.27	0.28	0.29	0.30	0.30	0.31	0.32	0.32	0.33
High	Black	CFM	1236	1187	1133	1079	1026	969	911	849	785	713	
		BHP	0.33	0.34	0.35	0.35	0.36	0.37	0.38	0.39	0.39	0.39	
036	Low**	Blue	CFM	1028	964	901	838	774	711	647	588	532	484
			BHP	0.12	0.13	0.14	0.15	0.15	0.16	0.17	0.18	0.19	0.19
	Med-Low	Pink	CFM	1164	1107	1051	995	939	882	824	767	711	656
			BHP	0.16	0.17	0.18	0.19	0.20	0.21	0.22	0.22	0.23	0.24
	Medium	Red	CFM	1391	1340	1294	1247	1199	1151	1104	1054	1003	946
			BHP	0.25	0.26	0.27	0.28	0.29	0.30	0.31	0.32	0.33	0.34
	Med-High‡	Orange	CFM	1423	1377	1331	1288	1240	1192	1147	1097	1047	998
			BHP	0.26	0.27	0.28	0.29	0.30	0.32	0.33	0.34	0.35	0.36
High	Black	CFM	1511	1466	1420	1378	1338	1293	1245	1200	1156	1109	
		BHP	0.30	0.31	0.33	0.34	0.35	0.36	0.37	0.38	0.39	0.40	
048	Low	Blue	CFM	945	885	820	757	696	638	579	527	480	429
			BHP	0.11	0.12	0.12	0.13	0.14	0.15	0.16	0.16	0.17	0.18
	Med-Low**	Pink	CFM	1297	1253	1207	1163	1115	1066	1018	974	931	888
			BHP	0.23	0.24	0.24	0.26	0.27	0.27	0.28	0.29	0.30	0.31
	Medium‡	Red	CFM	1799	1759	1725	1676	1625	1584	1546	1509	1473	1437
			BHP	0.50	0.51	0.52	0.54	0.55	0.57	0.58	0.59	0.61	0.62
	Med-High	Orange	CFM	1936	1901	1864	1831	1798	1767	1736	1702	1670	1633
			BHP	0.63	0.64	0.65	0.66	0.68	0.69	0.70	0.71	0.73	0.74
High	Black	CFM	1966	1933	1903	1872	1842	1811	1782	1751	1718	1619	
		BHP	0.67	0.68	0.70	0.71	0.73	0.74	0.75	0.77	0.78	0.74	
060	Low	Blue	CFM	897	829	764	699	641	583	521	463	407	356
			BHP	0.10	0.11	0.11	0.12	0.13	0.14	0.14	0.15	0.16	0.16
	Med-Low	Pink	CFM	1401	1364	1317	1271	1228	1189	1143	1097	1054	1012
			BHP	0.27	0.28	0.30	0.31	0.32	0.32	0.33	0.34	0.35	0.36
	Medium**	Red	CFM	1507	1472	1434	1388	1346	1307	1270	1227	1183	1142
			BHP	0.32	0.34	0.35	0.36	0.37	0.38	0.39	0.40	0.41	0.42
	Med-High‡	Orange	CFM	1943	1905	1867	1818	1787	1743	1705	1664	1624	1587
			BHP	0.63	0.64	0.66	0.67	0.68	0.69	0.70	0.71	0.73	0.74
High	Black	CFM	1969	1939	1909	1881	1852	1817	1781	1748	1710	1613	
		BHP	0.66	0.67	0.69	0.71	0.72	0.74	0.75	0.76	0.77	0.73	

Shaded areas indicate speed/static combinations that are permitted for dehumidification speed.

* - Air delivery values are without air filter and are for dry coil (See Wet Coil Pressure Drop Table).

** - Factory Supplied Low Stage Cooling

‡ - Factory Supplied High Stage Cooling

NOTE: Deduct field-supplied air filter pressure drop and wet coil pressure drop to obtain static pressure available for ducting.

Wet Coil Pressure Drop (IN. W.C.)

Unit Size	Standard CFM (SCFM)																
	500	600	700	800	900	1000	1100	1200	1300	1400	1500	1600	1700	1800	1900	2000	2100
24	0.02	0.03	0.04	0.04	0.05	0.06											

19 Manufacturer reserves the right to change, at any time, specifications and designs without notice and without obligations.

Wet Coil Pressure Drop (IN. W.C.)

36				0.03	0.04	0.05	0.05	0.06	0.07	0.08	0.08	0.09	0.10	0.11				
48						0.03	0.04	0.04	0.05	0.06	0.06	0.07	0.08	0.09	0.10	0.11	0.12	
60						0.03	0.04	0.04	0.05	0.06	0.06	0.07	0.08	0.09	0.10	0.11	0.12	

Economizer with 1-in. Filter Pressure Drop (IN. W.C.)

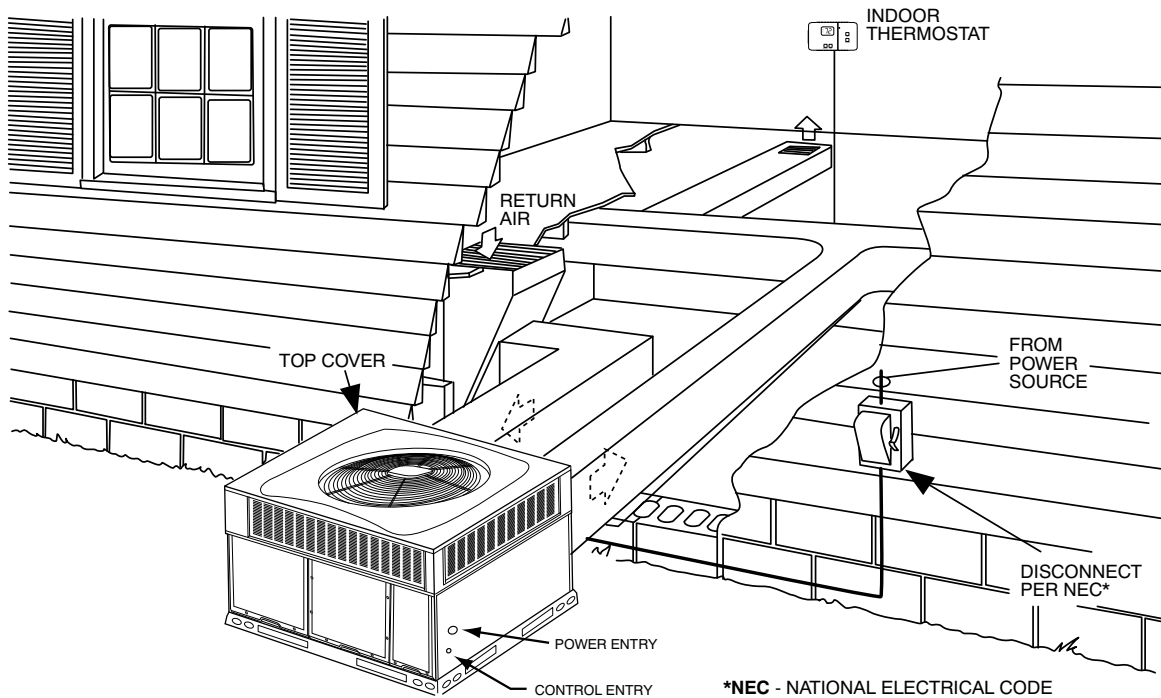
Filter Size in. (mm)	Cooling Tons	Standard CFM (SCFM)																	
		500	600	700	800	900	1000	1100	1200	1300	1400	1500	1600	1700	1800	1900	2000	2100	
600-1400 CFM 12x20x1+12x20x1 (305x508x25+305x508x25)	2.0	0.04	0.05	0.07	0.09	0.14	0.16	0.18	0.25	-	-	-	-	-	-	-	-	-	
1200-1800 CFM 16x24x1+14x24x1 (406x610x25+356x610x25)	3.0	-	-	-	0.04	0.06	0.07	0.08	0.10	0.11	0.12	0.13	0.14	0.16	0.16	-	-	-	
1500-2200 CFM 16x24x1+18x24x1 (406x610x25+457x610x25)	4.0	-	-	-	-	-	-	0.08	0.10	0.11	0.13	0.15	0.17	0.18	0.20	0.21	0.22	-	
1500-2200 CFM 16x24x1+18x24x1 (406x610x25+457x610x25)	5.0	-	-	-	-	-	-	0.08	0.10	0.11	0.13	0.15	0.17	0.18	0.20	0.21	0.22	0.23	

Filter Pressure Drop Table (IN. W.C.)

Filter Size in. (mm)	Cooling Tons	Standard CFM (SCFM)																	
		500	600	700	800	900	1000	1100	1200	1300	1400	1500	1600	1700	1800	1900	2000	2100	
600-1400 CFM 12x20x1+12x20x1 (305x508x25+305x508x25)	2.0	0.02	0.03	0.05	0.06	0.08	0.10	0.11	0.13	-	-	-	-	-	-	-	-	-	
1200-1800 CFM 16x24x1+14x24x1 (406x610x25+356x610x25)	3.0	-	-	-	0.03	0.03	0.04	0.05	0.06	0.07	0.08	0.09	0.09	0.10	0.11	-	-	-	
1500-2200 CFM 16x24x1+18x24x1 (406x610x25+457x610x25)	4.0	-	-	-	-	-	-	0.02	0.03	0.03	0.04	0.04	0.06	0.08	0.10	0.11	0.13	-	
1500-2200 CFM 16x24x1+18x24x1 (406x610x25+457x610x25)	5.0	-	-	-	-	-	-	0.02	0.03	0.03	0.04	0.04	0.06	0.08	0.10	0.11	0.13	0.14	

Manufacturer reserves the right to change, at any time, specifications and designs without notice and without obligations.

Typical Piping and Wiring



Application Data

Condensate trap — A 2-in. (50.8 mm) condensate trap must be field supplied.

Ductwork — Secure downflow discharge ductwork to roof curb. For horizontal discharge applications, attach ductwork to unit with flanges.

To convert a unit to downflow discharge — Units are equipped with factory-installed inserts in the downflow openings. Removal of the inserts is similar to removing an electrical knock-out.

Maximum cooling airflow — To minimize the possibility of condensate blow-off from the evaporator, airflow through the units should not exceed 450 cfm per ton.

Minimum cooling airflow — Minimum cooling airflow is 350 cfm per ton.

Minimum ambient cooling operation temperature — All standard units have a minimum ambient operating temperature of 40°F (4°C). With accessory low ambient temperature kit, units can operate at temperatures down to 0°F (-17°C).

Electrical Data

MODEL	NOMINAL V-PH-HZ	VOLTAGE RANGE		COMPRESSOR		OFM	IFM	NOMINAL ELECTRIC HEAT	POWER SUPPLY		
		MIN	MAX	RLA	LRA	FLA	FLA	kW	FLA	MCA	MOCP
24	208/230-1-60	197	253	10.9	61	0.6	3.9	-/-	-/-	18.1	25
								3.8/5	18.1/20.8	40.8/44.1	45/45
								5.4/7.2	25.9/30	50.5/55.6	60/60
								7.5/10	36.1/41.7	63.3/70.3	70/80
36	208/230-1-60	197	253	15.4	92	1.05	5.8	-/-	-/-	26.2	40
								3.8/5	18.1/20.8	48.7/52.1	50/60
								5.4/7.2	25.9/30	58.5/63.6	60/70
								7.5/10	36.1/41.7	71.2/78.2	80/80
	11.3/15	54.2/62.5	93.9/104.2	100/110							
	208/230-3-60	197	253	10.1	88	1.05	5.8	-/-	-/-	19.5	25
								3.8/5	10.4/12	32.5/34.5	35/35
								5.4/7.2	20.8/24.1	45.5/49.6	50/50
11.3/15								31.2/36.1	58.5/64.6	60/70	
48	208/230-1-60	197	253	21.2	104	1.05	7.6	-/-	-/-	35.3	50
								3.8/5	18.1/20.8	57.8/61.2	60/70
								5.4/7.2	25.9/30	67.5/72.7	70/80
								7.5/10	36.1/41.7	80.3/87.3	90/90
								11.3/15	54.2/62.5	102.9/113.3	110/125
								15/20	72.2/83.3	125.4/139.3	150/150
	208/230-3-60	197	253	14	83.1	1.05	7.6	-/-	-/-	26.2	40
								3.8/5	10.4/12	39.2/41.2	40/45
								5.4/7.2	20.8/24.1	52.2/56.3	60/60
								11.3/15	31.2/36.1	65.2/71.3	70/80
								15/20	41.4/47.9	77.9/86	80/90
								-/-	-/-	40	60
60	208/230-1-60	197	253	25.6	158	1.05	6.9	3.8/5	18.1/20.8	62.6/66	70/70
								5.4/7.2	25.9/30	72.3/77.5	80/80
								7.5/10	36.1/41.7	85.1/92.1	90/100
								11.3/15	54.2/62.5	107.7/118.1	110/125
								15/20	72.2/83.3	130.2/144.1	150/150
								-/-	-/-	28.5	40
	208/230-3-60	197	253	16.4	110	1.05	6.9	3.8/5	10.4/12	41.5/43.5	45/45
								5.4/7.2	20.8/24.1	54.5/58.6	60/60
								11.3/15	31.2/36.1	67.5/73.6	70/80
								15/20	41.4/47.9	80.2/88.3	90/90
								-/-	-/-	40	60
								-/-	-/-	40	60

LEGEND

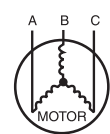
- FLA - Full Load Amps
- IDM - Inducer Motor
- IFM - Indoor Fan Motor
- LRA - Locked Rotor Amps
- MCA - Minimum Circuit Amps
- MOCP - Maximum Over Current Protection
- OFM - Outdoor Fan Motor
- RLA - Rated Load Amps

NOTES:

- In compliance with NEC (National Electrical Code) requirements for multimotor and combination load equipment (refer to NEC Articles 430 and 440), the overcurrent protective device for the unit shall be Power Supply fuse or circuit breaker.
- Minimum wire size is based on 60 C copper wire. If other than 60 C wire is used, or if length exceeds wire length in table, determine size from NEC.
- Unbalanced 3-Phase Supply Voltage
Never operate a motor where a phase imbalance in supply voltage is greater than 2%. Use the following formula to determine the percentage of voltage imbalance

$$\% \text{ Voltage imbalance} = 100 \times \frac{\text{max voltage deviation from average voltage}}{\text{average voltage}}$$

EXAMPLE: Supply voltage is 230-3-60.



AB = 228 v
BC = 231 v
AC = 227 v

$$\text{Average Voltage} = \frac{228 + 231 + 227}{3}$$

$$= \frac{686}{3}$$

$$= 229$$

Determine maximum deviation from average voltage.

- (AB) 229 - 228 = 1 v
- (BC) 231 - 229 = 2 v
- (AC) 229 - 227 = 2 v

Maximum deviation is 2 v.

Determine percent of voltage imbalance

$$\% \text{ Voltage Imbalance} = 100 \times \frac{2}{229}$$

$$= 0.8\%$$

This amount of phase imbalance is satisfactory as it is below the maximum allowable 2%.

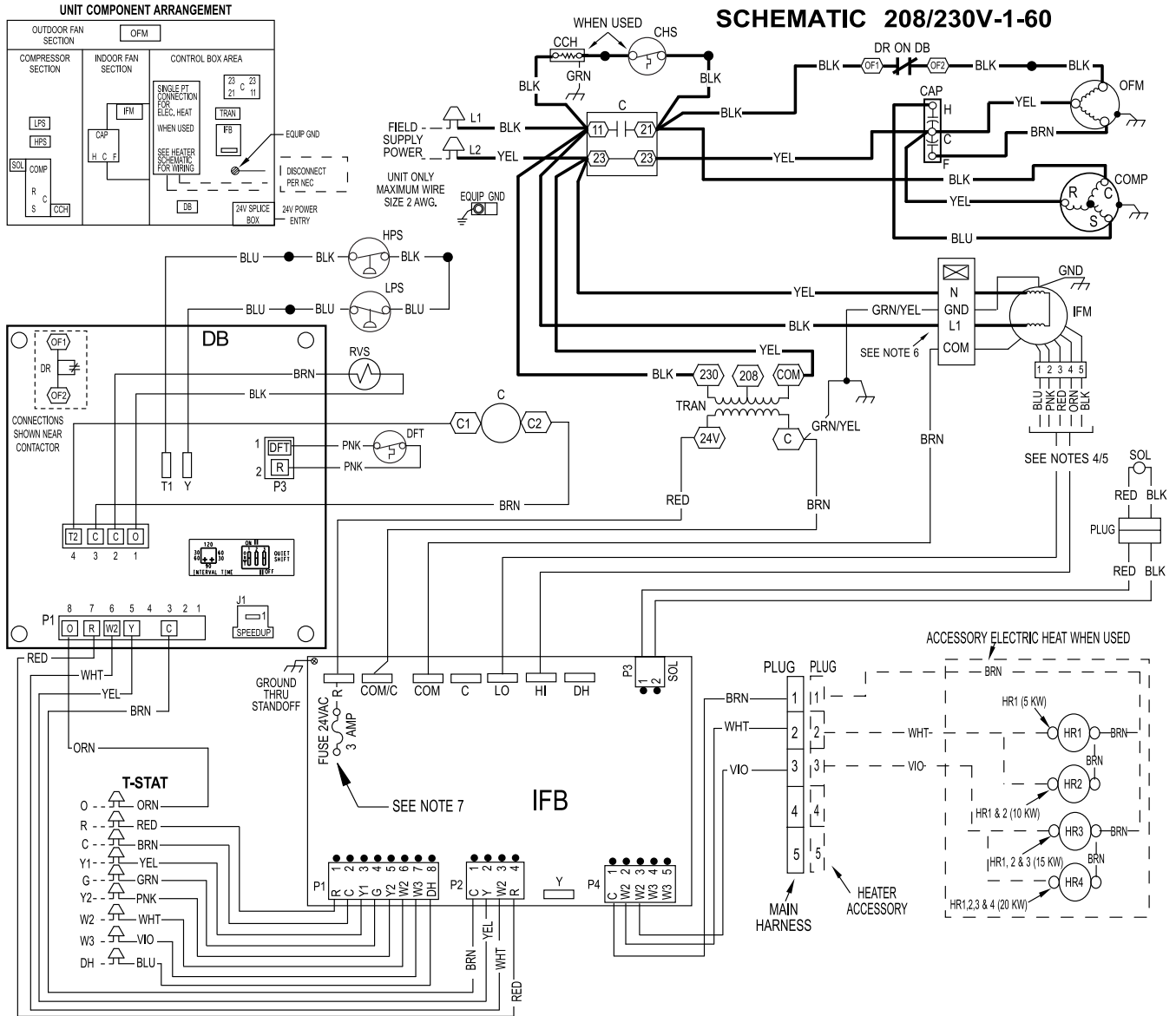
IMPORTANT: If the supply voltage phase imbalance is more than 2%, contact your local electric utility company immediately.

Connection Wiring Diagram 208/230V-1-60

CONNECTION WIRING DIAGRAM

DANGER: ELECTRICAL SHOCK HAZARD DISCONNECT POWER BEFORE SERVICING

SCHEMATIC 208/230V-1-60



NOTES:

1. IF ANY OF THE ORIGINAL WIRES FURNISHED ARE REPLACED IT MUST BE REPLACED WITH THE SAME OR ITS EQUIVALENT.
2. SEE PRE SALE LITERATURE FOR THERMOSTATS.
3. USE 75 DEGREES C COPPER CONDUCTORS FOR FIELD INSTALLATION.
4. REFER TO INSTALLATION INSTRUCTIONS FOR CORRECT SPEED SELECTION FOR IFM.
5. RELOCATION OF SPEED TAPS MAY BE REQUIRED WHEN USING FIELD INSTALLED ELECTRIC HEATERS. CONSULT INSTALLATION INSTRUCTIONS TO DETERMINE CORRECT SPEED TAP SETTING.
6. "DO NOT DISCONNECT PLUG UNDER LOAD".
7. THIS FUSE IS MANUFACTURED BY LITTLE FUSE, P/N 287003.
8. N.E.C. CLASS 2, 24V.

LEGEND

	FIELD SPlice		C	CONTACTOR		IFM	INDOOR FAN MOTOR
	TERMINAL (MARKED)		CAP	CAPACITOR		LPS	LOW PRESSURE SWITCH
	TERMINAL (UNMARKED)		CCH	CRANKCASE HEATER		OFM	OUTDOOR FAN MOTOR
	SPlice		CHS	CRANKCASE HEATER SWITCH		RVS	REVERSING VALVE
	SPlice (MARKED)		COMP	COMPRESSOR MOTOR		SOL	COMPRESSOR SOLENOID
	FACTORY LO VOLTAGE		CTD	COMPRESSOR TIME DELAY		TRAN	TRANSFORMER
	FIELD CONTROL WIRING		DH	DEHUM		T-STAT	THERMOSTAT
	FIELD POWER WIRING		DB	DEFROST BOARD			
	ACCESSORY OR OPTIONAL WIRING		DFT	DEFROST TEMPERATURE SWITCH			
	FACTORY HI VOLTAGE		DR	DEFROST RELAY			
			GND	GROUND			
			HPS	HIGH PRESSURE SWITCH			
			HR	HEATER RELAY			
			IFB	INDOOR FAN BOARD			

Ladder Wiring Diagram 208/230-1-60

LADDER WIRING DIAGRAM

DANGER: ELECTRICAL SHOCK HAZARD DISCONNECT POWER BEFORE SERVICING

DEFROST TIMING SELECTION

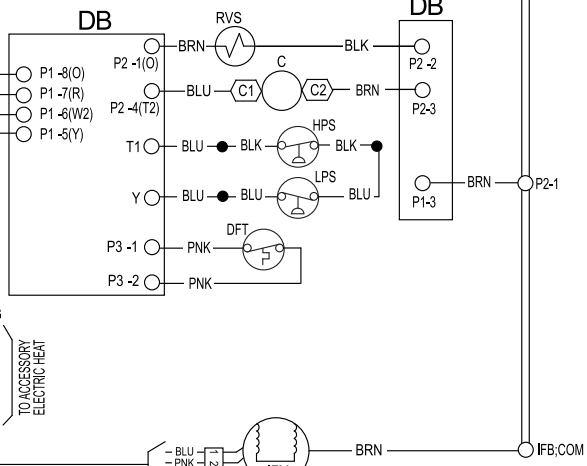
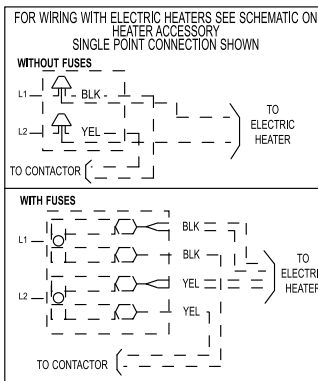
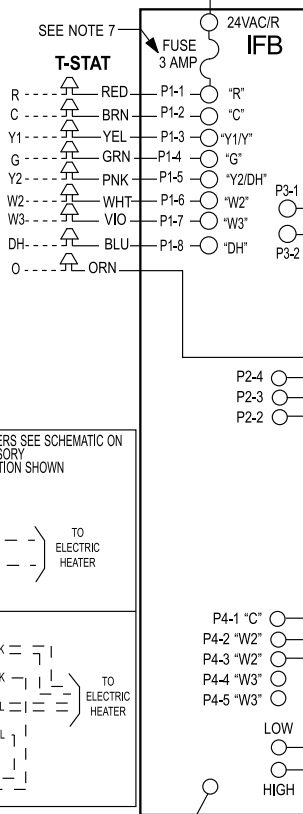
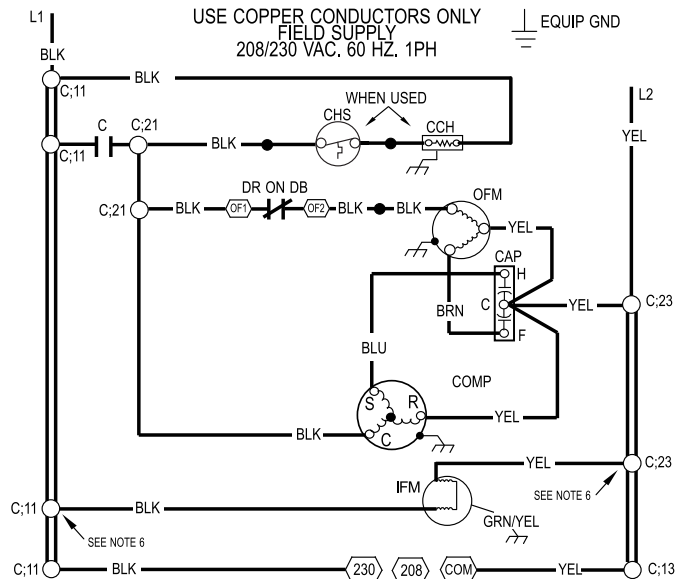
FIELD SELECTABLE OPTIONS FOR TIME PERIOD BETWEEN DEFROST CYCLES (MINUTES). FACTORY DEFROST SETTING IS 60 MIN.

SPEED UP JUMPED TEST PINS (USE METAL OBJECT) FIELD SPEED-UP CYCLE

- DFT MUST BE CLOSED TO INITIATE DEFROST CYCLE. IF NECESSARY, REMOVE DFT CONNECTION BEFORE PLACING JUMPER ACROSS DFT PINS.
- AT THE SAME TIME DFT CLOSED, JUMPER "SPEED UP" PINS WITH SMALL SCREW DRIVER UNTIL DEFROST IS INITIATED. THEN REMOVE SCREW DRIVER.
- SHORTED "SPEED UP" PINS WILL SPEED UP TIMER BY A FACTOR OF 256.

COOLING FAN LOGIC

ENERGIZED DE-ENERGIZED



349854-701 REV. -

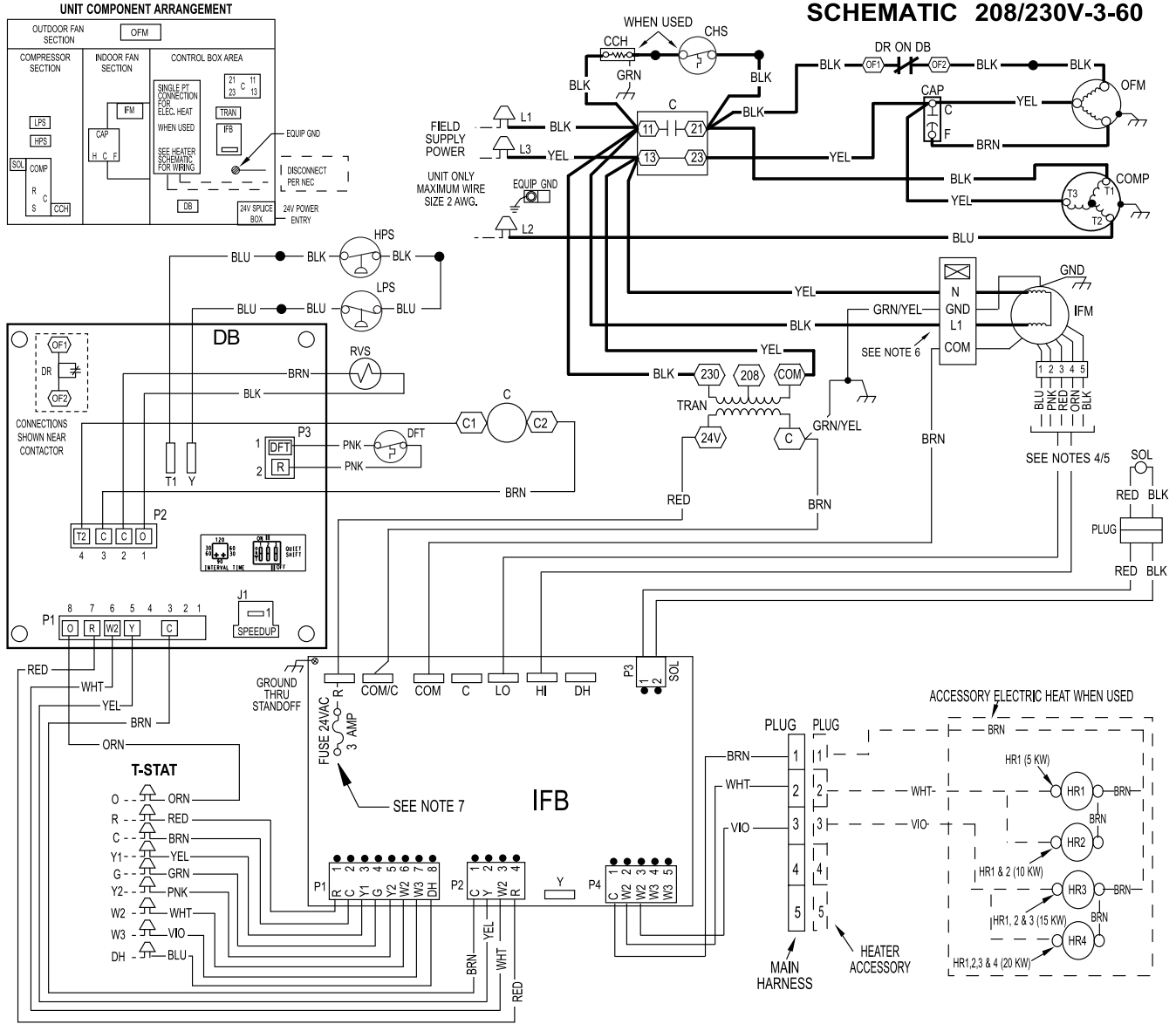


349854-701 REV. -

Connection Wiring Diagram 208/230-3-60

CONNECTION WIRING DIAGRAM
DANGER: ELECTRICAL SHOCK HAZARD DISCONNECT POWER BEFORE SERVICING

SCHEMATIC 208/230V-3-60



NOTES:

1. IF ANY OF THE ORIGINAL WIRES FURNISHED ARE REPLACED IT MUST BE REPLACED WITH THE SAME OR ITS EQUIVALENT.
2. SEE PRE SALE LITERATURE FOR THERMOSTATS.
3. USE 75 DEGREES C COPPER CONDUCTORS FOR FIELD INSTALLATION.
4. REFER TO INSTALLATION INSTRUCTIONS FOR CORRECT SPEED SELECTION FOR IFM.
5. RELOCATION OF SPEED TAPS MAY BE REQUIRED WHEN USING FIELD INSTALLED ELECTRIC HEATERS. CONSULT INSTALLATION INSTRUCTIONS TO DETERMINE CORRECT SPEED TAP SETTING.
6. "DO NOT DISCONNECT PLUG UNDER LOAD".
7. THIS FUSE IS MANUFACTURED BY LITTLE FUSE, P/N 287003.
8. N.E.C. CLASS 2, 24V.

LEGEND

	FIELD SPLICE	C	CONTACTOR	IFM	INDOOR FAN MOTOR
	TERMINAL (MARKED)	CAP	CAPACITOR	LPS	LOW PRESSURE SWITCH
	TERMINAL (UNMARKED)	CCH	CRANKCASE HEATER	OFM	OUTDOOR FAN MOTOR
	SPLICE	CHS	CRANKCASE HEATER SWITCH	RVS	REVERSING VALVE
	SPLICE (MARKED)	COMP	COMPRESSOR MOTOR	SOL	COMPRESSOR SOLENOID
	FACTORY LO VOLTAGE	CTD	COMPRESSOR TIME DELAY	TRAN	TRANSFORMER
	FIELD CONTROL WIRING	DH	DEHUM	T-STAT	THERMOSTAT
	FIELD POWER WIRING	DB	DEFROST BOARD		
	ACCESSORY OR OPTIONAL WIRING	DFT	DEFROST TEMPERATURE SWITCH		
	FACTORY HI VOLTAGE	DR	DEFROST RELAY		
		GND	GROUND		
		HPS	HIGH PRESSURE SWITCH		
		HR	HEATER RELAY		
		IFB	INDOOR FAN BOARD		

A230221

Ladder Wiring Diagram 208/230-3-60

LADDER WIRING DIAGRAM

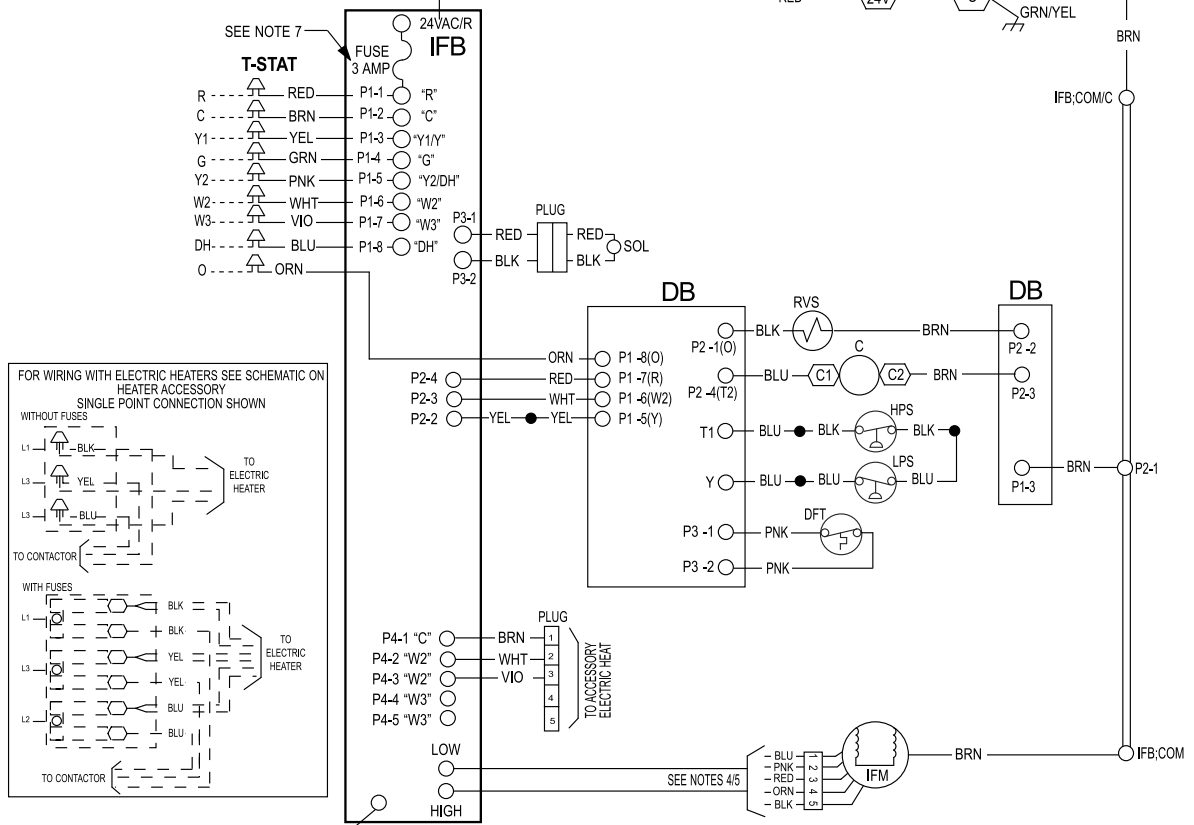
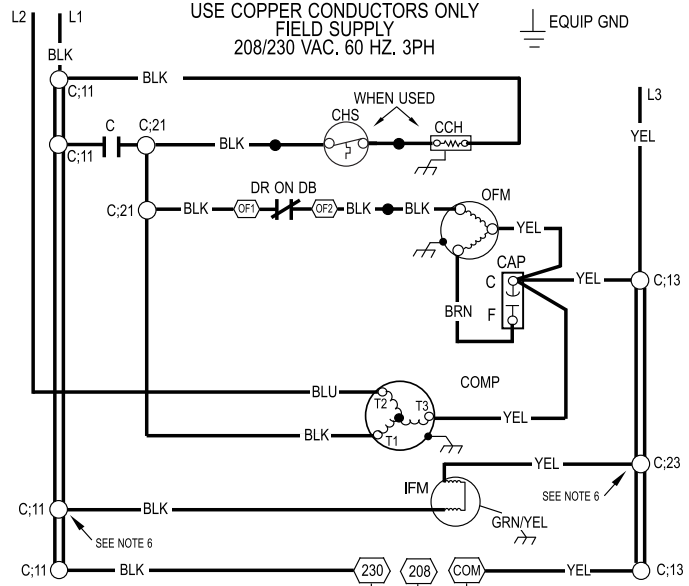
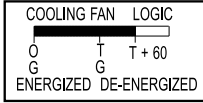
DANGER: ELECTRICAL SHOCK HAZARD DISCONNECT POWER BEFORE SERVICING

DEFROST TIMING SELECTION

FIELD SELECTABLE OPTIONS FOR TIME PERIOD BETWEEN DEFROST CYCLES (MINUTES)
FACTORY DEFROST SETTING IS 60 MIN.

SPEED UP JUMPED TEST PINS (USE METAL OBJECT) FIELD SPEED-UP CYCLE

1. DFT MUST BE CLOSED TO INITIATE DEFROST CYCLE. IF NECESSARY, REMOVE DFT CONNECTION BEFORE PLACING JUMPER ACROSS DFT PINS.
2. AT THE SAME TIME DFT CLOSED, JUMPER "SPEED UP" PINS WITH SMALL SCREW DRIVER UNTIL DEFROST IS INITIATED. THEN REMOVE SCREW DRIVER.
3. SHORTED "SPEED UP" PINS WILL SPEED UP TIMER BY A FACTOR OF 256.



349855-701 REV. -



349855-701 REV. -

UNCONTROLLED

Controls

Sequence of Operation

- a. Continuous Fan
 - (1.) Thermostat closes circuit R to G energizing the blower motor for continuous fan. The indoor fan is energized on low speed.
- b. Cooling Mode
 - (1.) Low Stage: Thermostat closes R to G, R to Y1, and R to O. The compressor and indoor fan are energized on low speed. The outdoor fan is also energized
 - (2.) High Stage: Thermostat closes R to G, R to Y1, R to Y2, and R to O. The compressor and indoor fan are energized on high speed. The outdoor fan is also energized.
- c. Electric Heating Mode
 - (1.) Thermostat closes circuit R to W2 or W3, and R to G. There are no on or off delays.
- d. Heat Pump Heating
 - (1.) Low Stage: Thermostat closes R to G, R to Y1. The compressor and indoor fan are energized on low speed. The outdoor fan is also energized
 - (2.) High Stage: Thermostat closes R to G, R to Y1, R to Y2. The compressor and indoor fan are energized on high speed. The outdoor fan is also energized.
- e. Heat Pump Heating with Auxiliary Heat
 - (1.) Thermostat closes circuits R to G, R to Y and R to W/W1 or W2. The compressor, indoor and outdoor fans are energized, as well as the electric heat relays.

f. Defrost Mode

The defrost mode is automatically energized by the defrost board during heating mode. The defrost board energizes “O” (reversing valve) and “W2” (electric heat). It also de-energizes the outdoor fan. When defrost is complete, unit will return to heating mode. If room thermostat is satisfied during defrost, unit will shut down and restart in defrost on next call for heat.

Guide Specifications

Packaged Air Conditioner System

Constant Volume Application

HVAC Guide Specifications

Size Range: 2 to 5 Tons, Nominal Cooling

SYSTEM DESCRIPTION

Outdoor rooftop mounted or ground mounted, electric cooling unit utilizing a hermetic 2-stage scroll compressor for cooling duty. Unit shall discharge supply air vertically or horizontally as shown on contract drawings. Condenser fan/coil section shall have a draw-thru design with vertical discharge for minimum sound levels.

QUALITY ASSURANCE

- Unit shall be rated in accordance with AHRI Standards 210/240 and 270.
- Unit shall be designed in accordance with UL Standard 1995.
- Unit shall be manufactured in a facility registered to ISO 9001 manufacturing quality standard.
- Unit shall be UL listed and c-UL certified as a total package for safety requirements.
- Roof curb shall be designed to conform to NRCA Standards.
- Insulation and adhesives shall meet NFPA 90A requirements for flame spread and smoke generation.
- Cabinet insulation shall meet ASHRAE Standard 62P.

DELIVERY, STORAGE AND HANDLING

Unit shall be stored and handled per manufacturer's recommendations.

Part 2 — Products

EQUIPMENT

1. General:

Factory-assembled, single-piece, heating and cooling unit. Contained within the enclosure shall be all factory wiring, piping, controls, refrigerant charge with R-410A refrigerant, and special features required prior to field start-up.

2. Unit Cabinet:

- a. Unit cabinet shall be constructed of phosphated, zinc-coated, pre-painted steel capable of with-standing 500 hours in salt spray.
- b. Normal service shall be through a single removable cabinet panel.
- c. The unit shall be constructed on a rust proof unit base that has an externally trapped, integrated sloped drain.
- d. Evaporator fan compartment top surface shall be insulated with a minimum 1/2-in. (12.7 mm) thick, flexible fiberglass insulation, coated on the air side and retained by adhesive and mechanical means. The evaporator wall sections will be insulated with a minimum semi-rigid foil-faced board capable of being wiped clean. Aluminum foil-faced fiberglass insulation shall be used in the entire indoor air cavity section.
- e. Unit shall have a field-supplied condensate trap.

3. Fans:

- a. The evaporator fan shall be a multi-speed ECM Blower Motor.
- b. Fan wheel shall be made from steel, be double-inlet type with forward curved blades with corrosion resistant finish. Fan wheel shall be dynamically balanced.
- c. Condenser fan shall be direct drive propeller type with aluminum blades riveted to corrosion resistant steel spiders, be dynamically balanced, and discharge air vertically.

4. Compressor:

- a. Fully hermetic compressors with factory-installed vibration isolation.
- b. 2-Stage scroll compressor shall be standard on all units.

5. Coils:

Aluminum tubes on indoor coil. Copper tubes on outdoor coil.

6. Refrigerant Components:

Refrigerant expansion device shall be of the TXV (thermostatic expansion valve) for cooling and fixed orifice for heating.

7. Filters:

Filter section shall consist of field-installed, throwaway, 1-in. (25 mm) thick fiberglass filters of commercially available sizes.

8. Controls and Safeties:

- a. Unit controls shall be complete with a self-contained low voltage control circuit.
- b. Compressors shall incorporate a solid-state compressor protector that provides reset capability.

9. Operating Characteristics:

- a. Unit shall be capable of starting and running at 125°F (51°C) ambient outdoor temperature per maximum load criteria of AHRI Standard 210.
- b. Compressor with standard controls shall be capable of operation down to 40°F (4°C) ambient outdoor temperature.
- c. Units shall be provided with fan time delay to prevent cold air delivery before the heat exchanger warms up.
- d. Unit shall be provided with 90-second fan time delay after the thermostat is satisfied.

10. Electrical Requirements:

All unit power wiring shall enter the unit cabinet at a single location.

11. Motors:

- a. Compressor motors shall be of the refrigerant-cooled type with line-break thermal and current overload protection.
- b. All fan motors shall have permanently lubricated bearings, and inherent, automatic reset, thermal overload protection.

12. Special Options/Kits Available:

- a. Compressor Start Kit (single phase units only):
Shall provide additional starting torque for single-phase compressors.
- b. Corporate Thermostat:
To provide for one-stage heating and cooling in addition manual or automatic changeover and indoor fan control.
- c. Crankcase Heater Kit:
Shall provide anti-floodback protection for low-load cooling applications.
- d. Economizer for 2-stage operation:
(Horizontal and Vertical with Jade Honeywell W7220 controller, Honeywell communicating actuator, and dry bulb sensor. (Contact MicroMetl Customer Service at 1-800-662-4822 to order.)

NOTE: The dehumidification feature on high stage cooling does not support use of an economizer.

- (1.) Economizer controls capable of providing free cooling using outside air.
- (2.) Equipped with low leakage dampers not to exceed 3% leakage, at 1.0 IN. W.C. pressure differential.
- (3.) Spring return motor shuts off outdoor damper on power failure.

Guide Specifications (cont)

- e. Electric Heaters:
 - (1.) Electric heater shall be available as a field-installed option.
 - (2.) Heater elements shall be open wire type, adequately supported and insulated with ceramic bushings.
 - (3.) Electric heater packages must provide single point power connection capability.
- f. Filter Rack Option or Kit:

Shall provide filter mounting for downflow applications. Offered as an accessory.
- g. Flat Roof Curb Kit:

Curbs shall have seal strip and a wood nailer for flashing and shall be installed per manufacturer's instructions.
- h. Low Ambient Package Kit:

Shall consist of a solid-state control and condenser coil temperature sensor for controlling condenser-fan motor operation, which shall allow unit to operate down to 0°F (-17.7°C) outdoor ambient temperature when properly installed.
- i. Manual Outdoor Air Damper Kit:

Package shall consist of damper, birdscreen, and rainhood which can be preset to admit outdoor air for year-round ventilation.
- j. Square-To-Round Duct Transitions Kit (24-48 size):

Shall have the ability to convert the supply and return openings from rectangular to round.
- k. Cabinet air leakage of 2.0% or less at .5 in. W.C. when tested in accordance with ASHRAE standard 193. Available as a factory installed option.
- l. Dual Point Electric Heaters Kit

Allows you to power the electric heater and unit contactor separately by having two individual field power supply circuits connected respectively.
- m. Advanced Dehumidification Package

Standard unit with a dedicated DEHUM feature that enables owner controlled dehumidification. Additionally, this package comes with tin plated indoor coil hairpins. Available as a factory installed option.