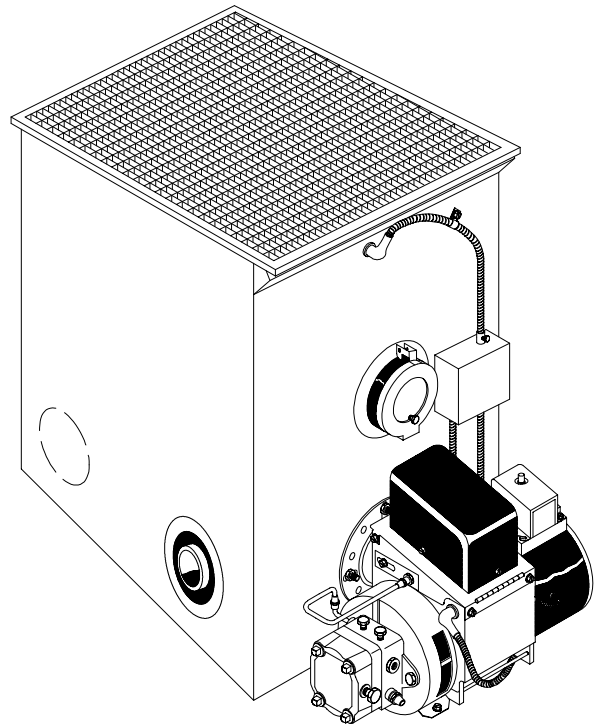


Standard Equipment

- Blower forced air system helps reduce register temperatures.
- DURAFUSED® (ceramic coated) heat exchanger.
- Stainless steel combustion chamber.
- Nonadjustable fan and limit controls. Oil primary reset button.
- Includes thermostat and 25' wire.
- Furnace has only 32 1/2" overall depth.
- Barometric draft control included.
- Has two knock outs for optional connection of return air ducts from other rooms. (6" diameter)
- Complete installation and operating .
- Washable air filter included. Saves replacement cost of disposable types commonly used.
- Deluxe high pressure oil burner with integrated primary safety control and cadmium sulfide cell.



27-10-63



Listed By
Underwriters'
Laboratories

FURNACE SPECIFICATIONS: MODEL NFOD073EA

BTU Input Per Hr.	BTU Output Per Hr.	Overall Furnace Size			Floor Opening		Register Size		Vent Size	Distance from Floor to Center of Vent	Oil Line Size	Burner Nozzle Size	Electrical Data	
		Length	Width	Depth	Length	Width	Length	Width					Power Supply	Max. Fuse Size
91M	69M	36 3/8"	24"	32 1/2"	36 1/2"	24 1/8"	38"	26"	6"	26 5/16"	3/8"	.65 GPH 80°	115V. - 60 Hz.	15 Amp.