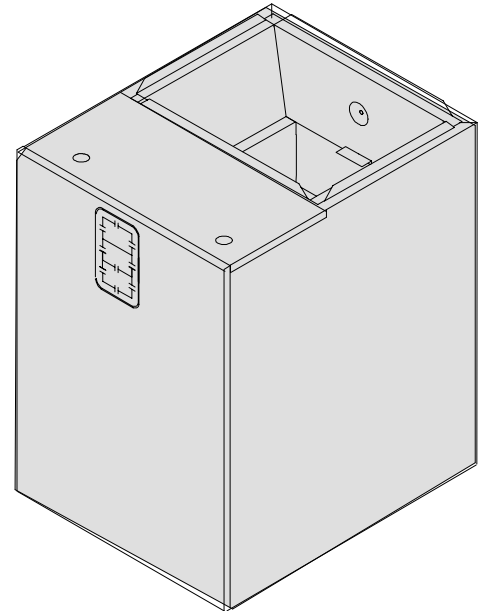


BLOWER FEATURES

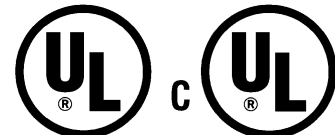
- Air Conditioning or Heat Pump ready
- Prepainted galvanized steel cabinet
- Internally lined with 1/2" Tuf-Skin II insulation
- Electronic control board with quick connect receptacle for electric heat*
- Direct drive slide-out blower assembly
- Variable Speed blower motor with separate controller for easy servicing
- Adjustable Blower time delay
- Efficient and Quiet Fan Only setting 60% Airflow
- Dehumidification Speed 80% Airflow
- Accepts accessory slip in electric heaters
- Accepts accessory two stage outdoor thermostats
- Flush Matches full line of Cased Coils w/ TXV
- Upflow, downflow and horizontal right or left applications



Accessory Heater

- UL listed for sale in U.S.A. and Canada
- Easy to install with simple plug in connection to Air Handler
- Designed for 208/240 Volt
- Breakerless 5, 7.5 and 10 nominal KW models available
- 5, 7.5, 10, 15, 20, 25 and 30 nominal KW models available with Circuit Breakers
- Auto reset high temperature limits

* Requires No Heat Kit if installed without electric heat



Listed By Underwriters' Laboratories



UNIT SPECIFICATIONS - BLOWERS

Model Number		MV12F1900A	MV16J2200A	MV20N2600A
Application		Upflow / Horizontal		
Electrical	Volts-Phase-Hz.	208 / 230 - 1 - 60		
Data **	Minimum Circuit Ampacity*	3.8	6.9	6.9
	Time Delay Fuse (Amps)	15		
	Maximum Fuse or Breaker Size (Amps)	15		
Blower	Size	DD10 - 8	DD10 - 9	DD10 - 9
	Data			
	Horsepower - Speed	1/2 - VAR	1 - VAR	1 - VAR
	Full Load Rated Amps	3.3	6.6	6.6
Transformer		40 VA		
Weight	Shipping / Net (Lbs.)	---	--	---

* Disregard if electric heat is added. Refer to Electric Heat table.

UNIT SPECIFICATIONS - Using No Heat Kit

Model	Supply Circuit			Supply Circuit No.	Nominal Motor HP	Maximum Motor AMPS.	Total AMPS.	Branch Circuit Ampacity*	Maximum Overcurrent Protective Device (AMPS.)	Recommended				
	Volts	Phase	Hertz							Supply Wire 75 ° C. Copper			Ground Wire	
										No.	Size	Max. Length (Ft)	No.	Size
MV12	240	1	60	Single	1/2	3.3	3.3	3.8	15	2	14	104	1	14
	208	1	60	Single		3.3	3.3	3.8	15	2	14	90	1	14
MV16 - 20	240	1	60	Single	1	6.6	6.6	6.9	15	2	14	104	1	14
	208	1	60	Single		6.6	6.6	6.9	15	2	14	90	1	14

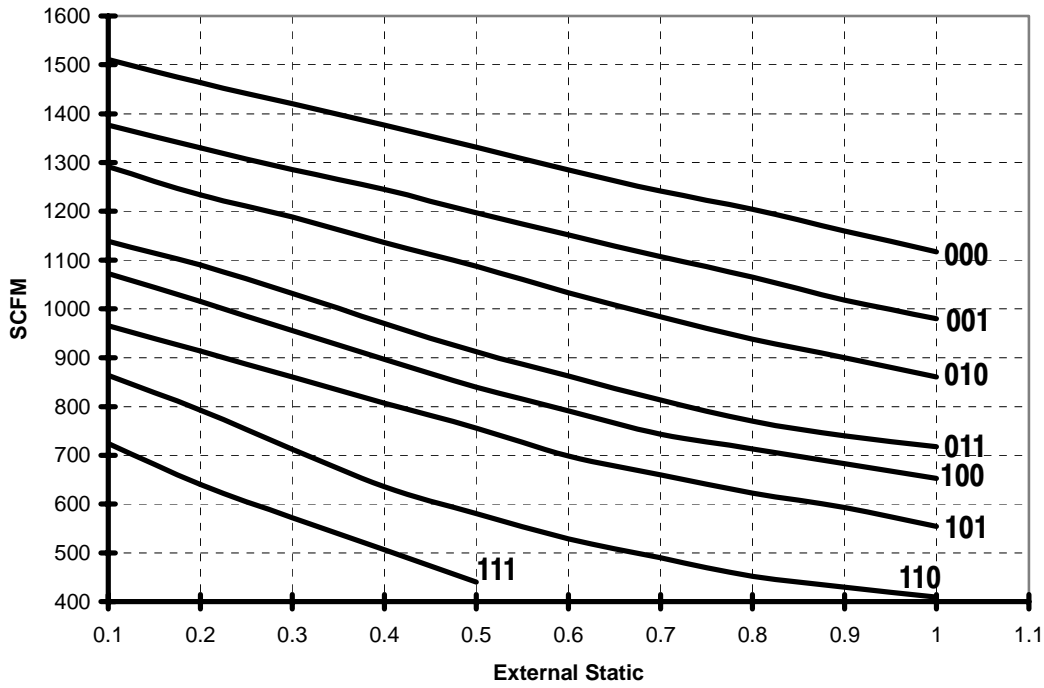
* Based on maximum ampacity allowed by Magellan control program.

ELECTRICAL HEATER DATA TABLE: (Single Phase)

Heater Model	Supply Voltage	Nomi-Heating BTUH	Heat-KW	KW Per Element	Supply Circuit No.	Heater KW Per Circuit	Heater AMPS.	Maxi-Motor AMPS.	Total AMP	Branch Circuit Ampacity	Maximum Overcurrent Protective Device (AMPS.)	Recommended								
												Supply Wire 75 ° C. Copper			Ground Wire					
												No.	Size	Max. Length (F)	No.	Siz				
AMFK05AH	240	16,832	4.8	4.8	Single	4.8	20.0	6.0	26.0	32.5	35	2	10	61	1	10				
	208	12,287	3.6	3.6	Single	3.6	17.3	6.0	23.3	29.2	30	2	10	59	1	10				
AMFK07AH	240	24,573	7.2	3.6	Single	7.2	30.0	6.0	36.0	45.0	45	2	8	70	1	10				
	208	18,430	5.4	2.7	Single	5.4	26.0	6.0	32.0	40.0	40	2	8	68	1	10				
AMFK10AH	240	32,765	9.6	4.8	Single	9.6	40.0	6.0	46.0	57.5	60	2	6	85	1	10				
	208	24,574	7.2	3.6	Single	7.2	34.7	6.0	40.7	50.8	60	2	6	83	1	10				
AMFK14AH	240	49,147	14.4	4.8	Single	14.4	60.0	6.0	66.0	82.5	90	2	4	94	1	8				
					Mult. 1	9.6	40.0	6.0	46.0	57.5	60	2	6	50	1	10				
					Mult. 2	4.8	20.0	0.0	20.0	25.0	25	2	12	1	10					
	208	36,860	10.8	3.6	Single	10.8	52.0	6.0	58.0	72.5	80	2	4	93	1	8				
					Mult. 1	7.2	34.7	6.0	40.7	50.8	60	2	6	50	1	10				
					Mult. 2	3.6	17.3	0.0	17.3	21.7	25	2	12	1	10					
AMFK20AH	240	65,530	19.2	4.8	Single	19.2	80.0	6.0	86.0	107.5	110	2	2	115	1	6				
					Mult. 1	9.6	40.0	6.0	46.0	57.5	60	2	6	63	1	10				
					Mult. 2	9.6	40.0	0.0	40.0	50.0	50	2	8	1	10					
	208	49,147	14.4	3.6	Single	14.4	69.3	6.0	75.3	94.2	100	2	3	90	1	8				
					Mult. 1	7.2	34.7	6.0	40.7	50.8	60	2	6	63	1	10				
					Mult. 2	7.2	34.7	0.0	34.7	43.3	45	2	8	1	10					
AMFK25AH	240	81,912	24.0	4.8	Single	24.0	100.0	6.0	106.0	132.5	150	2	1 / 0	148	1	6				
					Mult. 1	9.6	40.0	6.0	46.0	57.5	60	2	6	50	1	10				
					Mult. 2	9.6	40.0	0.0	40.0	50.0	50	2	8	1	10					
					Mult. 3	4.8	20.0	0.0	20.0	25.0	25	2	12	1	10					
					208	61,434	18.0	3.6	Single	18.0	75.1	6.0	81.1	101.4	110	2	2	106	1	6
									Mult. 1	7.2	34.7	6.0	40.7	50.8	60	2	6	50	1	10
	Mult. 2	7.2	34.7	0.0					34.7	43.3	45	2	8	1	10					
	AMFK30AH	240	98,294	28.8	4.8	Single	28.8	120.0	6.0	126.0	157.5	175	2	2 / 0	158	1	6			
						Mult. 1	9.6	40.0	6.0	46.0	57.5	60	2	6	63	1	10			
Mult. 2						9.6	40.0	0.0	40.0	50.0	50	2	8	1	10					
Mult. 3						9.6	40.0	0.0	40.0	50.0	50	2	8	1	10					
208						73,721	21.6	3.6	Single	21.6	90.1	6.0	96.1	120.2	125	2	1	112	1	6
									Mult. 1	7.2	34.7	6.0	40.7	50.8	60	2	6	63	1	10
	Mult. 2	7.2	34.7	0.0	34.7				43.3	45	2	8	1	10						

SPECIFICATION SUBJECT TO CHANGE WITHOUT NOTICE

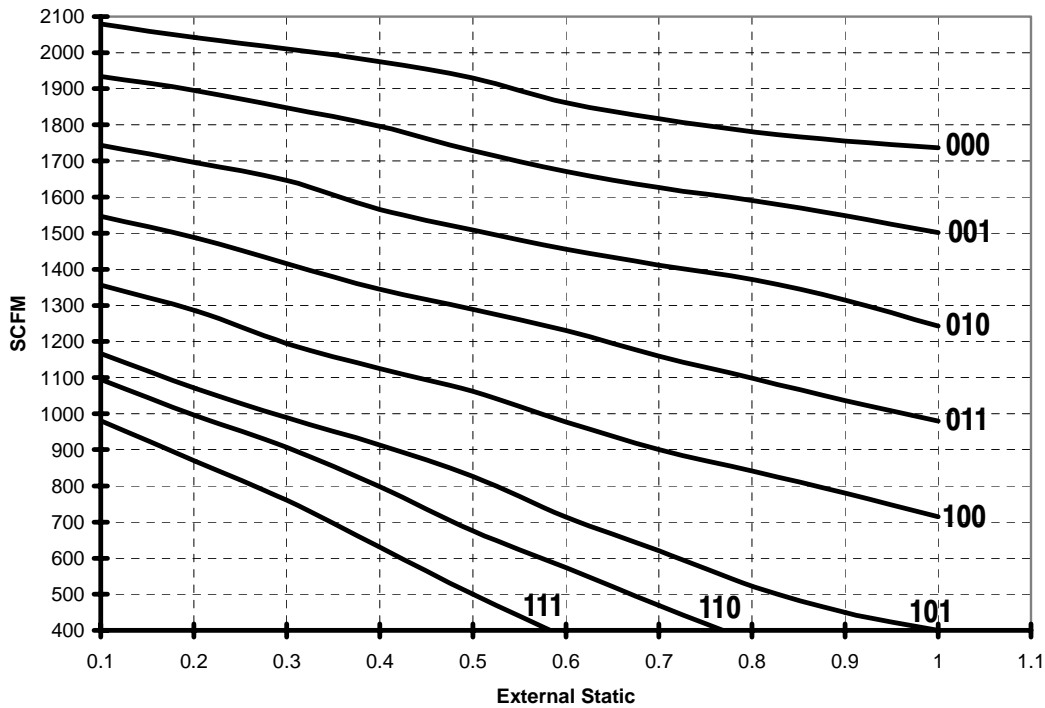
MV12F1900 Airflow



Dip Switch Settings

**000 Highest Speed
111 Lowest Speed**

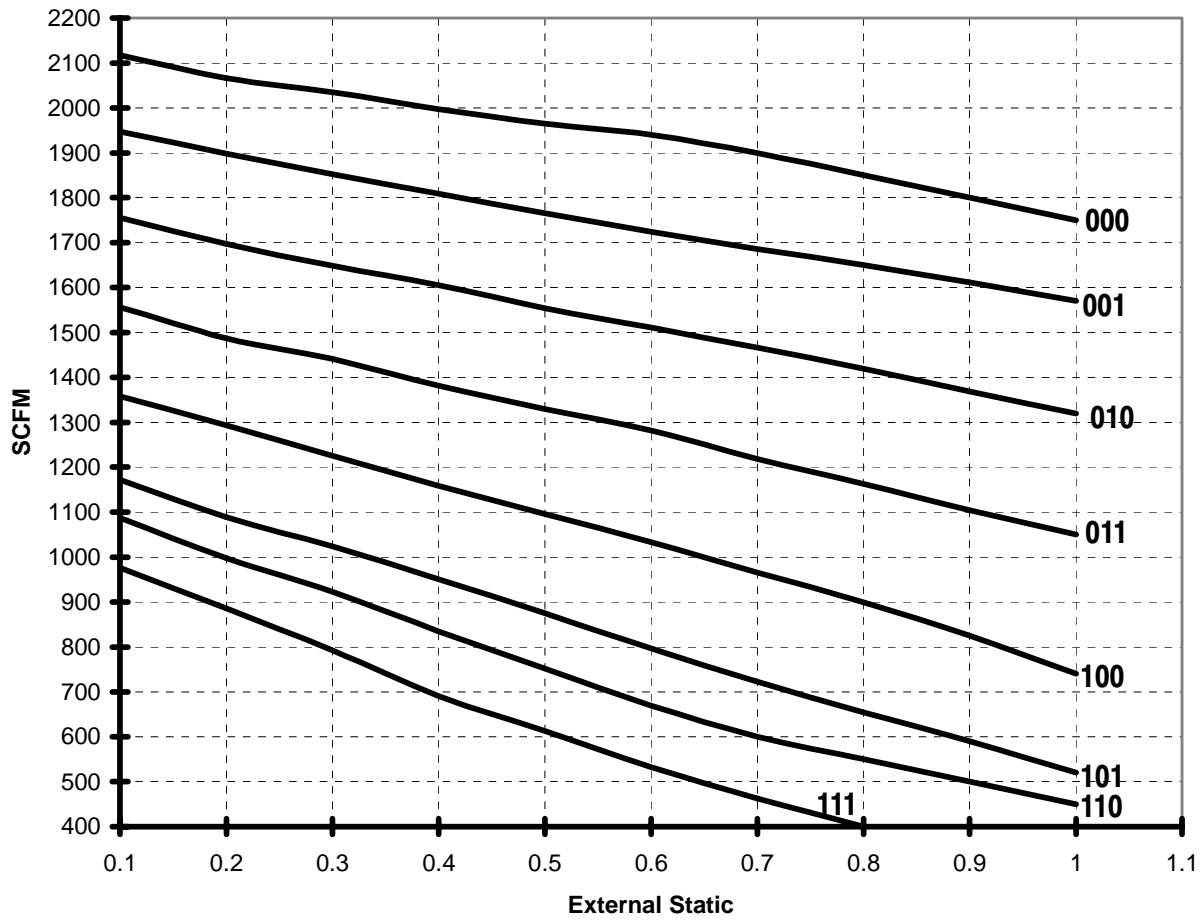
MV16J2200 Airflow



Dip Switch Settings

**000 Highest Speed
111 Lowest Speed**

MV20N2600 Airflow



Dip Switch Settings

000 Highest Speed
111 Lowest Speed

HEATER STATIC TABLE

CFM	HEATER KW / STATIC DROP						
	5	7.5	10	15	20	25	30
600	.01	.01	.01				
800	.01	.01	.01	.01			
1000	.01	.01	.01	.01	.02		
1100	.01	.01	.01	.02	.02		
1200	.01	.01	.01	.02	.02		
1300	.01	.02	.02	.02	.02		
1400	.01	.02	.02	.02	.03	.03	
1500	.01	.02	.02	.02	.03	.04	
1600	.01	.02	.02	.03	.03	.04	.04
1700	.01	.02	.02	.03	.03	.04	.05
1800	.01	.02	.02	.03	.04	.04	.05
1900	.01	.02	.02	.03	.04	.05	.06
2000	.01	.02	.02	.03	.04	.05	.06
DO NOT OPERATE IN THIS AREA CFM / KW LIMIT EXCEEDED							

Deduct heater static shown in heater static table.

HEATER STAGING

HEATER MODEL	VOLTAGE	TOTAL HEAT		1st STAGE (W1)		2nd STAGE (W2)	
		208V	240V	208V	240V	208V	240V
AMFK05AH	208-240/1/60	3.6	4.8	3.6	4.8	-	-
AMFK07AH	208-240/1/60	5.4	7.2	2.7	3.6	2.7	3.6
AMFK10AH	208-240/1/60	7.2	9.6	3.6	4.8	3.6	4.8
AMFK14AH	208-240/1/60	10.8	14.4	7.2	9.6	3.6	4.8
AMFK20AH	208-240/1/60	14.4	19.2	7.2	9.6	7.2	9.6
AMFK25AH	208-240/1/60	18.0	24.0	7.2	9.6	10.8	14.4
AMFK30AH	208-240/1/60	21.6	28.8	7.2	9.6	14.4	19.2

ACCESSORIES

Model	Description	Use With
AMFK05AHA* AMFK05AHB	5 KW Single Phase	2 - 5 Ton
AMFK07AHA* AMFK07AHB	7 1/2 KW Single Phase	2 - 5 Ton
AMFK10AHA* AMFK10AHB	10 KW Single Phase	2 - 5 Ton
AMFK14AHB	15 KW Single Phase	2 - 5 Ton
AMFK20AHB	20 KW Single Phase	3 - 5 Ton
AMFK25AHB	25 KW Single Phase	4 - 5 Ton
AMFK30AHB	30 KW Single Phase	4 - 5 Ton
AMF019DFA	Downflow Kit (Subbase)	MV12
AMF022DFA	Downflow Kit (Subbase)	MV16
AMF026DFA	Downflow Kit (Subbase)	MV20

* AHA Models are Non-Breaker models

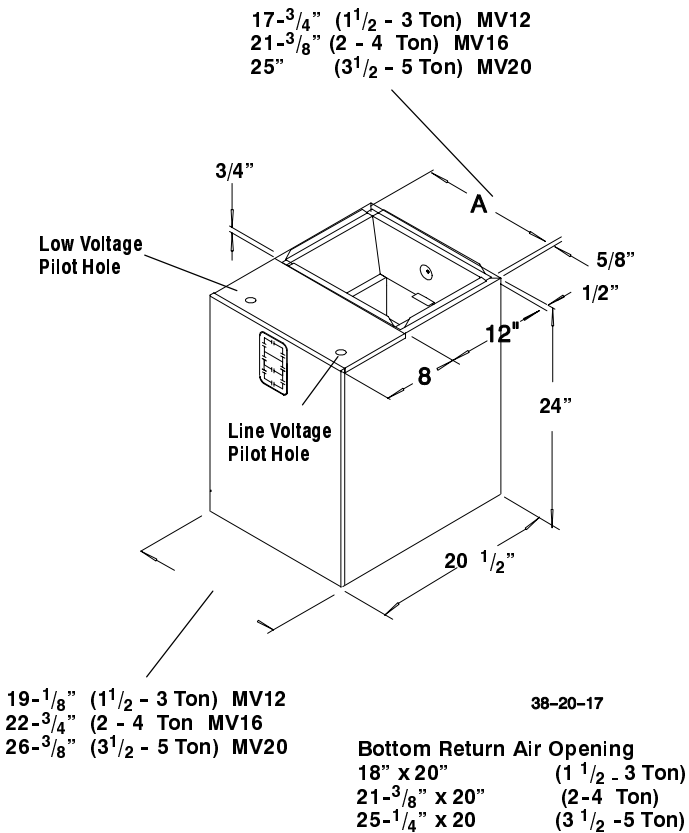
MODEL NUMBER IDENTIFICATION GUIDE

M	V	12	F19	00	A
PRODUCT FAMILY MV = MODULAR VARIABLE SPEED BLOWER			SALES CODE		
NOMINAL CFM RANGE 12 = 1200 16 = 1600 20 = 2000			FIELD INSTALLED HEATERS		
			COIL WIDTH MATCH		

ACCESSORIES NUMBER IDENTIFICATION GUIDE

A	M	F	001	DP	A
PRODUCT GROUP A = Accessories			SALES CODE		
PRODUCT TYPE C = Cooling H = Heating X = Special M = Multi Use (Heating and / or Cooling)			PRODUCT IDENTIFIER NUMBER		
ACCESSORY PRODUCT IDENTIFIER ASSIGNMENT					SERIES
AH - Auxiliary Heater		DP - Drain Pan Kit			
OT - Outdoor Thermostat					
WF - Washable Filter		NH - No Heat Kit			
SP - Single Point Wiring Kit		TK - Thermostatic Expansion Valve			

DIMENSIONS



CLEARANCES	
NO HEATERS	
All Sides	0"
From Supply Duct	0"
Recommended Service From Front	20"
(Service for blower, filter if installed)	
WITH HEATERS	
All Sides	0"
From First Three Feet of Supply Duct to Combustibles	1"
From Duct after Three Feet	0"
Recommended Service From Front	20"
(Service for blower, filter, heaters if installed)	