



# PGMG Series

## Package Gas Electric BELT DRIVE SPECIFICATIONS

### CONVERTIBLE SINGLE PACKAGE GAS/ELECTRIC UNIT

#### SINGLE PACKAGE

- Combination gas heating and electric cooling, self contained for year-round comfort. Systems can be installed on rooftop or ground level with the new convertible design. 6-1/3 Ton unit has two-stage cooling.

#### CABINET

- Triple-coated steel, consisting of a Polyester top coat, a urethane primer coat preceded by an oxide pretreatment. Access panels for easy service. Side by side supply and return. Heavy gauge base with rails.

#### INTEGRAL BASE RAILS

- Fork-lift access on three sides. Holes provided for lifting lugs makes rooftop installation easier.

#### IMPROVED INSULATION

- Dual density insulation improves temperature separation.

#### INDOOR BLOWER

- Electronic Fan Control, continuous fan feature responds quickly to circulate heated air and provide maximum comfort.
- Standard belt drive blower on 3 to 6-1/3 ton models.
- "No Difference" Design - Unit will operate at the same rated External Static Pressure in the down shot or horizontal duct position.

#### INTERNAL AIR FILTERS

- Easy access air filters to maintain a clean evaporator coil.

#### COPPER TUBE/ALUMINUM FIN COILS

- Enhanced aluminum fins mechanically bonded to 3/8" copper tubes for improved heat transfer.

#### FILTER DRIERS

- To insure refrigerant cleanliness.

#### COMPRESSORS

- Scroll compressors on 4 and 5 ton models, Recip compressor on 3 and 6-1/3 ton models.

#### HIGH & LOW PRESSURE SWITCHES

- To provide excellent compressor protection.

#### FREEZE THERMOSTAT

- Mounted to evaporator, prevents coil freeze up.

#### EXTERNALLY-MOUNTED GAUGE PORTS

- Allows for more accurate reading of operating conditions while servicing.

#### INDUCED DRAFT COMBUSTION SYSTEM

- For smoother combustion and optimal efficiency.

#### ALUMINIZED TUBULAR HEAT EXCHANGER

- Tubular design delivers efficient heat transfer and air flow: aluminized coating protects against corrosion.

#### IGNITION SYSTEM

- Honeywell Electronic Hot Surface/Pilot (HSP) Ignition system.

#### IN-SHOT BURNERS

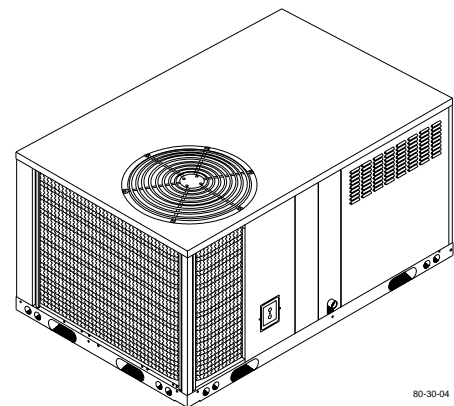
- New design delivers more complete, efficient combustion.

#### PRE-WIRED FOR ECONOMIZER

- Designed for slide in, plug in economizer installation.

#### 65VA TRANSFORMER

- Standard 65 VA transformer has built-in secondary circuit breaker standard on all models.



80-30-04



Rated in accordance  
with ARI Standard 210.



Listed By  
Underwriters'  
Laboratories

## UNIT SPECIFICATIONS

MODEL NUMBER	Electrical Data		Electrical Data		Condenser Data							
	Voltage Phase - Hz	HACR Max. Fuse	Ampacity	Coil			Fan Motor			Fan		
				Total Face Area Sq. Feet (Sq. Meters)	Fins Per In. / Rows	Tube Diameter In.(mm.)	Horsepower / Amps	Full Load Amps	RPM (Max.)	Size Diameter In.(mm)	Degree Pitch	CFM (Max.)
PGMG36H090	208/230-3-60	25	17.6	12.5	20 / 1	3/8	.75 / 2.6	2.6	1120	22(558.8)	28	3500
PGMG36F090	460-3-60	15	8.5	(1.16)			.75 / 1.4	1.4	1120			
PGMG36N090	575-3-60	DATA NOT AVAILABLE										
PGMG48H135	208/230-3-60	35	24.0	17.2	20 / 1	3/8 (9.52)	.75 / 2.6	2.6	1140	22(558.8)	28	4500
PGMG48F135	460-3-60	20	12.9	(1.6)			.75 / 1.4	1.4	1140			
PGMG48N135	575-3-60	15	10.3				.75 / 1.2	1.2	1140			
PGMG60H150	208/230-3-60	45	30.2	17.2	20 / 1	3/8 (9.52)	.75 / 2.6	2.6	1140	22(558.8)	28	4500
PGMG60F150	460-3-60	20	15.6	(1.6)			.75 / 1.4	1.4	1140			
PGMG60N150	575-3-60	15	12.4				.75 / 1.2	1.2	1140			
PGMG75H115	208/230-3-60	40	33.7	17.2 (1.6)	20 / 2	3/8 (9.52)	.75 / 2.6	2.6	1140	22(558.8)	28	4000
PGMG75H150	208/230-3-60	40	33.7				.75 / 2.6	2.6	1140			
PGMG75F150	460-3-60	20	14.7				.75 / 1.4	1.4	1140			
PGMG75N150	575-3-60	15	12.4				.75 / 1.2	1.2	1140			

**NOTES:** PGMG75 models have two compressors with 2 individual circuits. (Two-Stage Cooling).

MODEL NUMBER	Evaporator Coil									Compressor		Factory Refrigerant Charge R-22 Oz.(Ltr)	Sound Rating (Bels)	Ship. Weight Lbs.(Kg)	
	Coil			Blower H.P. - Speeds	Motor		Blower			Full Load Amps	Locked Rotor Amps				
	Total Face Area Sq. Feet (Sq. Meters)	Fins Per In. / Rows	Tube Diameter In.(mm)		Full Load Amps	RPM	Type & Size	RPM (Max)	CFM Rated						
PGMG36H090	8.2	15 / 2	3/8	3/4 - 1	5.4 / 5.5	1140	BD10-8	1090	1200	9.0	70	104	8.0	590(267.6)	
PGMG36F090	(.76)		(9.52)		1.4	1140				4.6	33	(3.07)		590(267.6)	
PGMG36N090	DATA NOT AVAILABLE														590(267.6)
PGMG48H135	8.2	15 / 2	3/8	3/4 - 1	5.4 / 5.5	1725	BD11-11	1075	1600	13.5	99	126	7.8	620(281.2)	
PGMG48F135	(.76)		(9.52)		1.7	1725				7.4	49.5				
PGMG48N135					1.3	1725				5.8	40.0				
PGMG60H150	8.2	14 / 3	3/8	1 - 1	14.0 / 7.0	1725	BD11-11	1120	2000	17.3	123	129	8.0	640(290.3)	
PGMG60F150	(.76)		(9.52)		1.5	1750				9.0	62				
PGMG60N150					1.1	1750				7.1	50				
PGMG75H115	8.2 (.76)	14 / 4	3/8 (9.52)	2 - 1	6.8	1725	BD11-11A	1365	2500	10.8 Ea	75 Ea	128/128	---	735(334.0)	
PGMG75H150										4.6 Ea	37 Ea				
PGMG75F150										3.9 Ea	31 Ea				
PGMG75N150															

### MODEL NUMBER IDENTIFICATION GUIDE

<b>MODEL NUMBER</b>	<b>P</b>	<b>G</b>	<b>M</b>	<b>G</b>	<b>36</b>	<b>H</b>	<b>090</b>	<b>A</b>
<b>Package</b>								A = Architectural Stone Color, HSP Ignition System
<b>Gas / Electric Unit</b>								<b>Gas Heat Input</b> 90= 90,000 135=135,000 115=115,000 150=150,000
<b>Multi-Position</b>								<b>Electrical Characteristics</b> H = 208 / 230-3-60 F = 460-3-60 N = 575-3-60
<b>DesignSeries</b>								<b>Capacity (Nominal BTU)</b> 036 = 3 Ton 060 = 5 Ton 042 = 3-1/2 Ton 075 = 6-1/3 Ton 048 = 4 Ton

## PERFORMANCE DATA: HEATING

MODEL NUMBER	Input (MBTUH)		Output (MBTUH)		Efficiency *				Temperature Rise °F(°C)	Gas Piping Size Inches(mm)	Transformer Size VA.
	Standard	Low Fire Kit <sup>1</sup>	Standard	Low Fire Kit <sup>1</sup>	DOE (AFUE)		Calif. (CSE)				
					Std.	L.F.K. <sup>2</sup>	Std.	L.F.K. <sup>2</sup>			
PGMG36H090	90	75	71	60	80.9	81.4	76.9	77.2	35 - 60(-1.11 - 13.5)	1/2(12.7)	65 VA
PGMG36F090	DATA NOT AVAILABLE										
PGMG36N090	DATA NOT AVAILABLE										
PGMG48H135	135	110	106	87	80.4	80.7	76.1	76.4	35 - 65(1.67 - 18.3)	1/2(12.7)	65 VA
PGMG48F135	DATA NOT AVAILABLE										
PGMG48N135	DATA NOT AVAILABLE										
PGMG60H150	150	130	119	102	80.8	80.1	76.0	75.7	35 - 60(-1.11 - 13.5)	1/2(12.7)	65 VA
PGMG60F150	DATA NOT AVAILABLE										
PGMG60N150	DATA NOT AVAILABLE										
PGMG75H115	115	95	95	75	81.0	81.2	76.0	74.9	30 - 60(1.67 - 18.3)	1/2(12.7)	65 V
PGMG75H150	150	130	119	102	80.4	80.0	75.0	75.1	35 - 65(1.67 - 18.3)	1/2(12.7)	65 V
PGMG75F150	DATA NOT AVAILABLE										
PGMG75N150	DATA NOT AVAILABLE										

<sup>1</sup> Field conversion kit available for lower fire rate. <sup>2</sup> Low Fire Conversion Kit. \* As determined by D.O.E. Steady State Efficiency Rating Test. Heating capacity valid for elevations up to 2,000 feet (609.6 meters) above sea level. For elevations above 2,000 feet (609.6 meters), rated capacity should be reduced by 4% for each 1,000 feet (304.5 meters) above sea level.

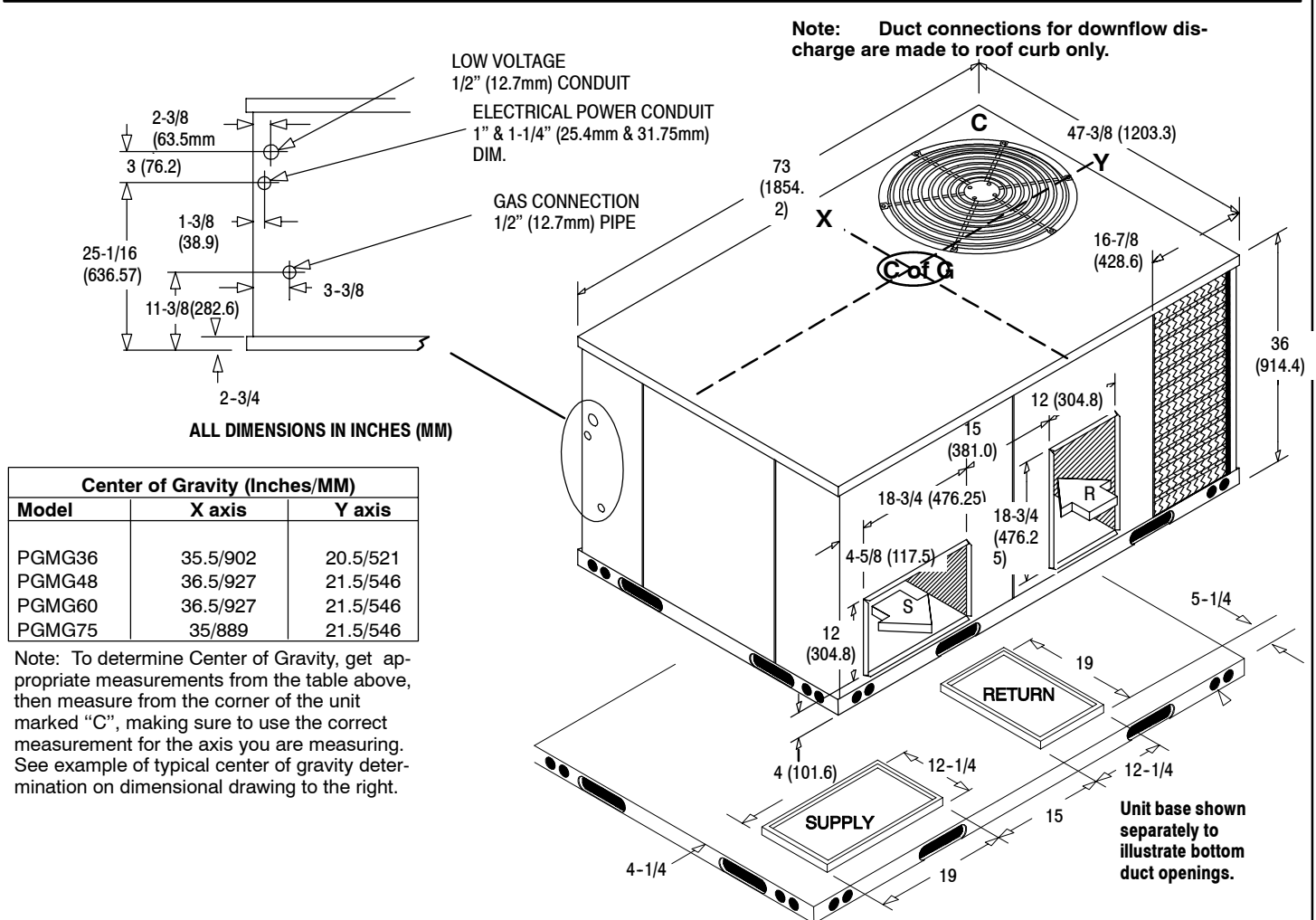
## PERFORMANCE DATA: COOLING

MODEL NUMBER	Rated Capacity BTUH**	S/T Ratio	S.E.E.R.	E.E.R.	Power Input Watts	Evaporator Rated Airflow (SCFM)
PGMG36	34,500	.77	10.2	9.05	3812	1200
PGMG48	45,000	.78	10	8.75	5085	1600
PGMG60	58,500	.76	10	8.55	7090	2000
PGMG75	74,000	.78	---	9.15	8090	2500

NOTES: PGMG75 models have two compressors with 2 individual circuits. (Two-Stage Cooling), IPLV 9.12.

\*\* Rated Capacity @ ARI Standards 95° Amb, 80° DB, / 67° WB, 230 Volts. For applications at 208 volts deduct 1000 BTU.

## UNIT DIMENSIONS



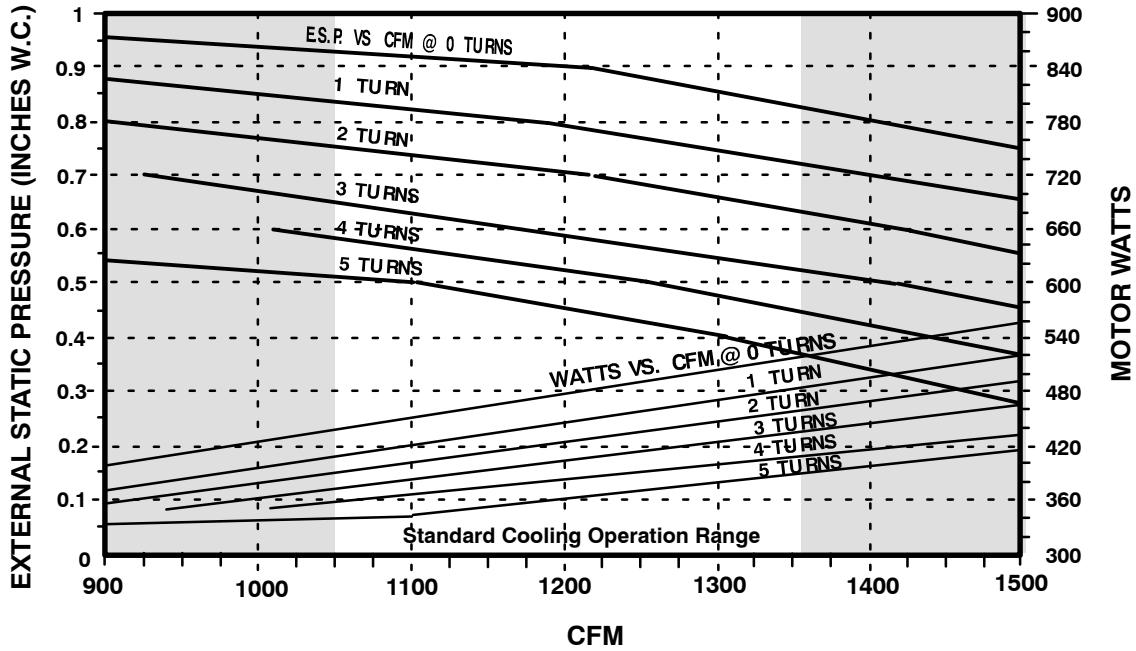








**BELT DRIVE BLOWER PERFORMANCE DATA - 3 TON UNITS - 208 VOLTS**



**NOTES:** 1) Maximum motor Watts is 787 Watts. 2) Maximum blower speed is 1400 RPM. 3) Contact factory for applications requiring operation outside standard cooling operating range. 4) Airflow data is based on dry coil with filters. 5) Pulley turns refers to turns out. In other words, 0 turns is a narrower sheave than 5 turns. 6) Blower speed MUST be set to give the correct air temperature rise through the unit as marked on the Rating Plate on in the *Technical Support Manual*

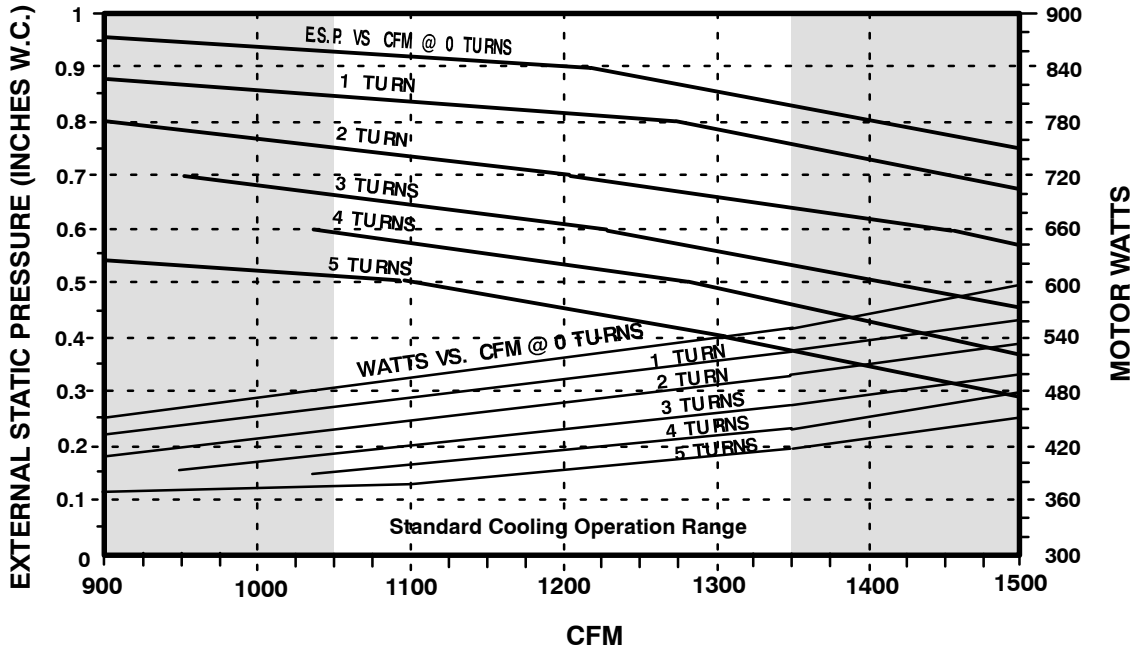
NUMBER OF TURNS	EXTERNAL STATIC PRESSURE IN INCHES WATER COLUMN														
	.2			.4			.6			.8			1.0		
	CFM	WATTS	RPM	CFM	WATTS	RPM	CFM	WATTS	RPM	CFM	WATTS	RPM	CFM	WATTS	RPM
0										1421	535	920			
1							1614	552	880	1183	448	888			
2							1418	470	844						
3				1587	478	804	1206	399	809						
4				1446	419	766									
5	1615	433	724	1301	375	727									

PULLEY TURNS OPEN	0	1	2	3	4	5
RPM WITH .75 HP STD PULLEY	909	878	842	807	768	730

FACTORY SETTING TURNS OPEN	
.75 HP STD PULLEY	5



**BELT DRIVE BLOWER PERFORMANCE DATA - 3 TON UNITS - 230, 460 VOLTS**



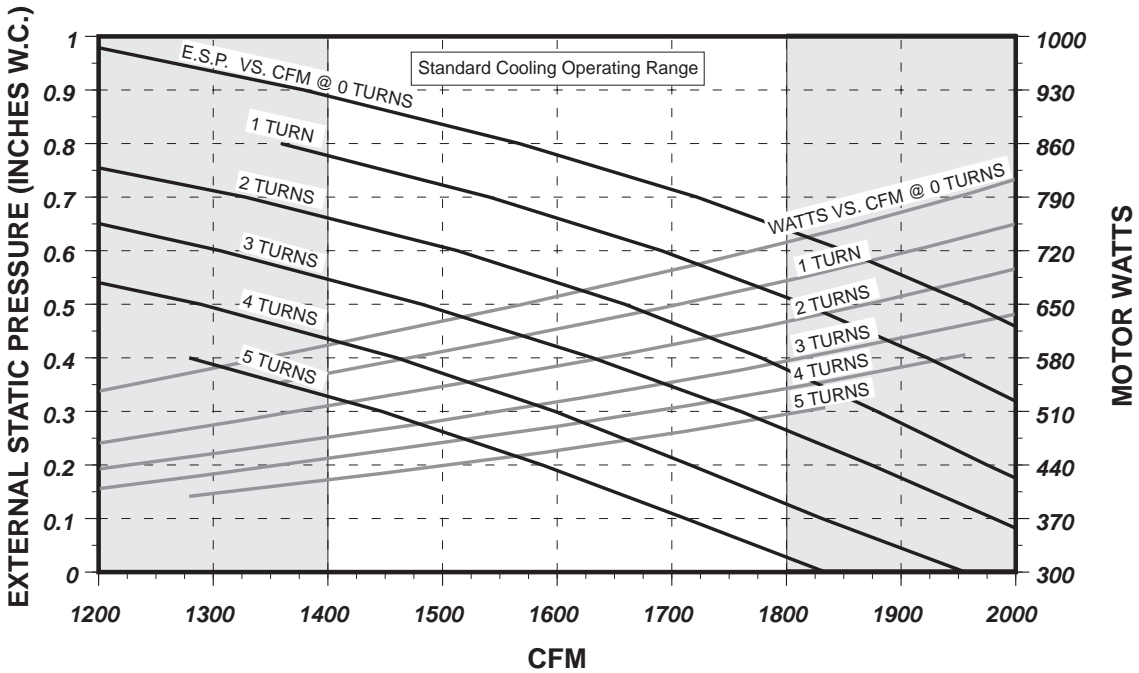
**NOTES:** 1) Maximum motor Watts is 808 Watts. 2) Maximum blower speed is 1400 RPM. 3) Contact factory for applications requiring operation outside standard cooling operating range. 4) Airflow data is based on dry coil with filters. 5) Pulley turns refers to turns out. In other words, 0 turns is a narrower sheave than 5 turns. 6) Blower speed MUST be set to give the correct air temperature rise through the unit as marked on the Rating Plate on in the *Technical Support Manual*

NUMBER OF TURNS	EXTERNAL STATIC PRESSURE IN INCHES WATER COLUMN														
	.2			.4			.6			.8			1.0		
	CFM	WATTS	RPM	CFM	WATTS	RPM	CFM	WATTS	RPM	CFM	WATTS	RPM	CFM	WATTS	RPM
0										1420	575	925			
1							1623	594	885	1264	509	891			
2							1453	521	848						
3				1599	520	807	1222	442	811						
4				1455	467	769	1032	393	772						
5	1604	467	727	1318	418	730									

PULLEY TURNS OPEN	0	1	2	3	4	5
RPM WITH .75 HP STD PULLEY	915	883	846	809	771	732

FACTORY SETTING TURNS OPEN	
.75 HP STD PULLEY	5

**BELT DRIVE BLOWER PERFORMANCE DATA - 4 TON UNITS - 208 VOLTS**



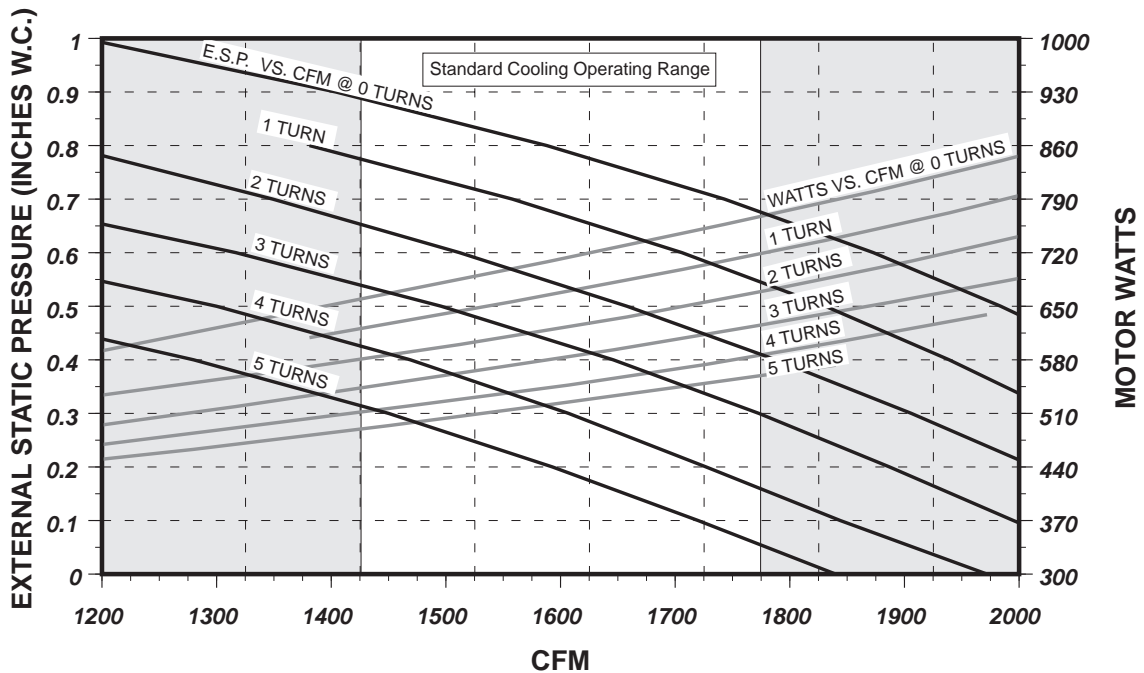
**NOTES:** 1) Maximum motor Watts is 928 Watts. 2) Maximum blower speed is 1400 RPM. 3) Contact factory for applications requiring operation outside standard cooling operating range. 4) Airflow data is based on dry coil with filters. 5) Pulley turns refers to turns out. In other words, 0 turns is a narrower sheave than 5 turns. 6) Blower speed MUST be set to give the correct air temperature rise through the unit as marked on the Rating Plate on in the *Technical Support Manual*

NUMBER OF TURNS	EXTERNAL STATIC PRESSURE IN INCHES WATER COLUMN														
	.2			.4			.6			.8			1.0		
	CFM	WATTS	RPM	CFM	WATTS	RPM	CFM	WATTS	RPM	CFM	WATTS	RPM	CFM	WATTS	RPM
0							1851	750	952	1567	649	960			
1							1691	645	913	1359	548	920			
2				1778	620	867	1513	546	871						
3				1631	530	822									
4	1716	518	774	1460	461	777									
5	1587	456	725												

PULLEY TURNS OPEN	0	1	2	3	4	5
RPM WITH .75 HP STD PULLEY	950	910	870	825	780	730

FACTORY SETTING TURNS OPEN	
.75 HP STD PULLEY (PGMG48H135)	2

**BELT DRIVE BLOWER PERFORMANCE DATA - 4 TON UNITS - 230, 460, 575 VOLTS**



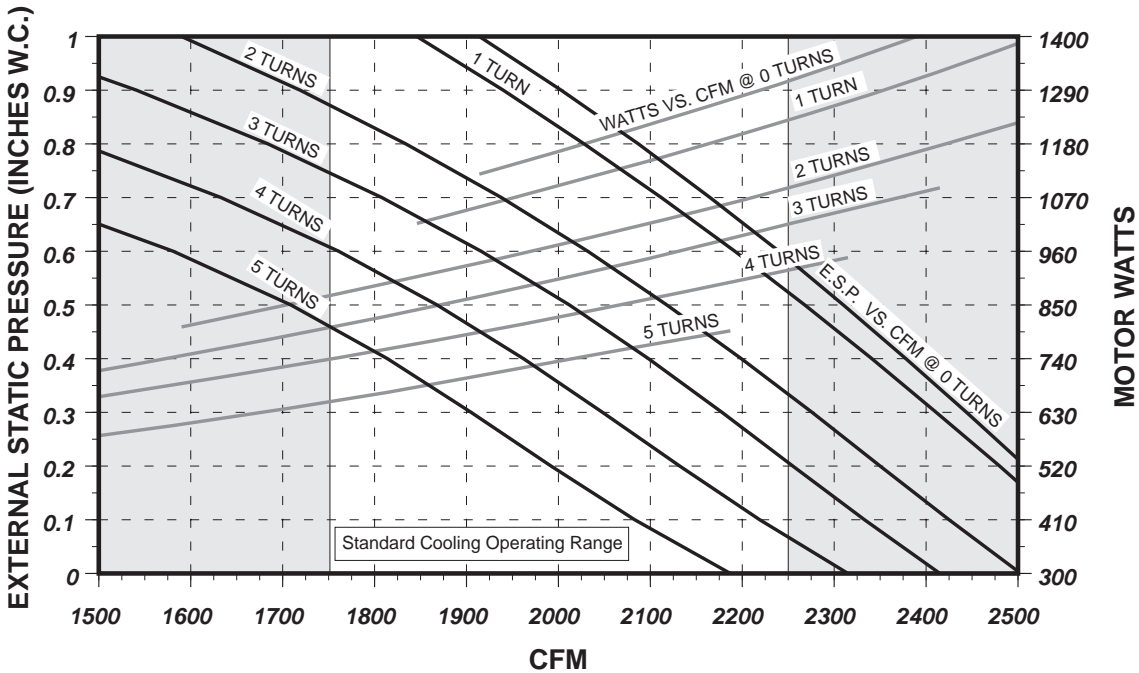
**NOTES:** 1) Maximum motor Watts is 962 Watts. 2) Maximum blower speed is 1400 RPM. 3) Contact factory for applications requiring operation outside standard cooling operating range. 4) Airflow data is based on dry coil with filters. 5) Pulley turns refers to turns out. In other words, 0 turns is a narrower sheave than 5 turns. 6) Blower speed MUST be set to give the correct air temperature rise through the unit as marked on the Rating Plate on in the *Technical Support Manual*

NUMBER OF TURNS	EXTERNAL STATIC PRESSURE IN INCHES WATER COLUMN														
	.2			.4			.6			.8			1.0		
	CFM	WATTS	RPM	CFM	WATTS	RPM	CFM	WATTS	RPM	CFM	WATTS	RPM	CFM	WATTS	RPM
0							1873	800	959	1588	708	965			
1							1706	698	919	1381	609	925			
2				1788	673	870	1512	600	874						
3				1646	593	825	1317	519	829						
4	1727	574	776	1469	520	778									
5	1593	522	728												

PULLEY TURNS OPEN	0	1	2	3	4	5
RPM WITH .75 HP STD PULLEY	960	920	875	825	780	730

FACTORY SETTING TURNS OPEN	
.75 HP STD PULLEY (PGMG48H/F135)	2

**BELT DRIVE BLOWER PERFORMANCE DATA - 5 TON UNITS - 208 VOLTS**



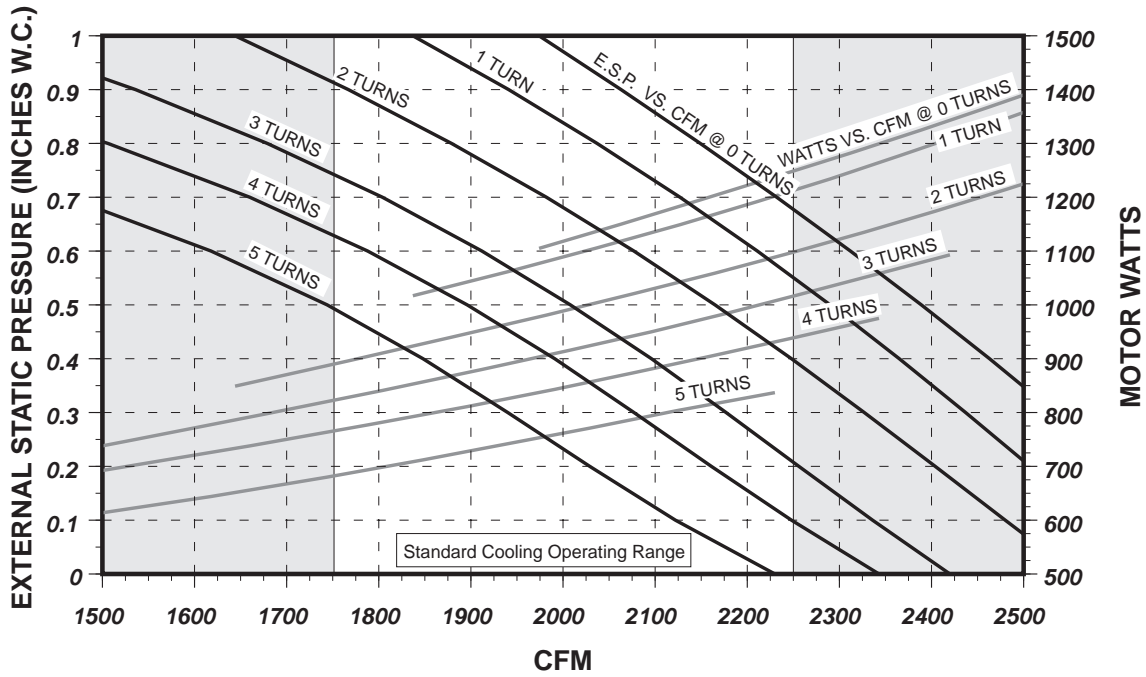
**NOTES:** 1) Maximum motor Watts is 1486 Watts. 2) Maximum blower speed is 1400 RPM. 3) Contact factory for applications requiring operation outside standard cooling operating range. 4) Airflow data is based on dry coil with filters. 5) Pulley turns refers to turns out. In other words, 0 turns is a narrower sheave than 5 turns. 6) Blower speed MUST be set to give the correct air temperature rise through the unit as marked on the Rating Plate on in the *Technical Support Manual*

NUMBER OF TURNS	EXTERNAL STATIC PRESSURE IN INCHES WATER COLUMN														
	.2			.4			.6			.8			1.0		
	CFM	WATTS	RPM	CFM	WATTS	RPM	CFM	WATTS	RPM	CFM	WATTS	RPM	CFM	WATTS	RPM
0							2240	1302	1153	2087	1213	1163	1914	1118	1174
1							2192	1196	1127	2028	1109	1137	1846	1017	1145
2				2199	1064	1074	2032	987	1082	1834	903	1089			
3	2255	1018	1025	2098	945	1031	1916	868	1037						
4	2132	875	982	1962	811	986	1761	742	991						
5	1992	732	938	1814	671	942									

PULLEY TURNS OPEN	0	1	2	3	4	5
RPM WITH 1 HP STD PULLEY	1145	1120	1080	1035	990	945

FACTORY SETTING TURNS OPEN	
1 HP STD PULLEY	2.5

**BELT DRIVE BLOWER PERFORMANCE DATA - 5 TON UNITS - 230, 460, 575 VOLTS**



**NOTES:** 1) Maximum motor Watts is 1454 Watts. 2) Maximum blower speed is 1400 RPM. 3) Contact factory for applications requiring operation outside standard cooling operating range. 4) Airflow data is based on dry coil with filters. 5) Pulley turns refers to turns out. In other words, 0 turns is a narrower sheave than 5 turns. 6) Blower speed MUST be set to give the correct air temperature rise through the unit as marked on the Rating Plate on in the *Technical Support Manual*

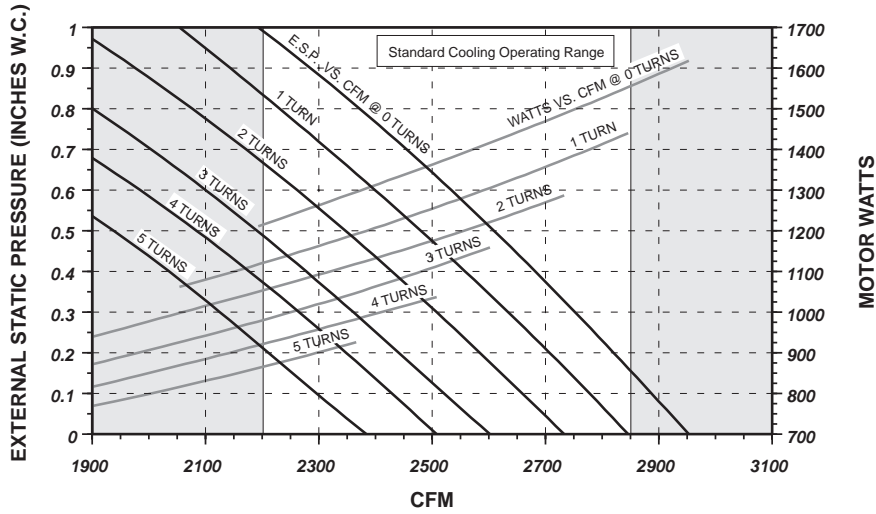
NUMBER OF TURNS	EXTERNAL STATIC PRESSURE IN INCHES WATER COLUMN														
	.2			.4			.6			.8			1.0		
	CFM	WATTS	RPM	CFM	WATTS	RPM	CFM	WATTS	RPM	CFM	WATTS	RPM	CFM	WATTS	RPM
0							2312	1282	1179	2149	1195	1186	1974	1105	1193
1							2211	1192	1147	2037	1106	1153	1837	1017	1158
2				2248	1097	1087	2077	1021	1091	1879	940	1096			
3	2256	1019	1037	2096	950	1042	1912	880	1046						
4	2161	905	990	1991	843	993	1788	777	996						
5	2029	771	944	1848	712	946									

PULLEY TURNS OPEN	0	1	2	3	4	5
RPM WITH 1 HP STD PULLEY	1175	1145	1090	1045	1000	950

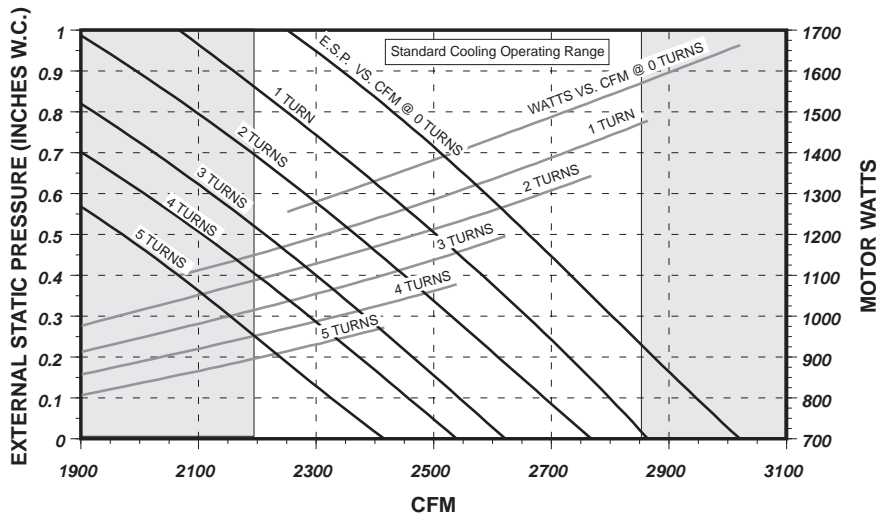
FACTORY SETTING TURNS OPEN	
1 HP STD PULLEY	2.5

**BELT DRIVE BLOWER PERFORMANCE DATA - 6-1/3 TON UNITS (PGMG75E)**

**208 VOLT**



**230, 460, 575 VOLT**



**NOTES:** 1) Maximum motor Watts is 1538 Watts at 208V, and 1582 Watts at 230-575V. 2) Maximum blower speed is 1400 RPM. 3) Contact factory for applications requiring operation outside standard cooling operating range. 4) Airflow data is based on dry coil with filters. 5) Pulley turns refers to turns out. In other words, 0 turns is a narrower sheave than 5 turns. 6) Blower speed MUST be set to give the correct air temperature rise through the unit as marked on the Rating Plate on in the *Technical Support Manual*

VOLTAGE	TURNS OPEN	EXTERNAL STATIC PRESSURE IN INCHES WATER COLUMN														
		.2			.4			.6			.8			1.0		
		CFM	WATTS	RPM	CFM	WATTS	RPM	CFM	WATTS	RPM	CFM	WATTS	RPM	CFM	WATTS	RPM
208	0	2820	1538	1239	2682	1460	1242	2534	1380	1246	2372	1298	1249			
	1	2707	1361	1198	2558	1283	1200	2399	1207	1203	2231	1133	1205			
	2	2584	1213	1154	2429	1145	1156	2262	1077	1158						
	3	2441	1081	1108	2278	1011	1110									
	4	2348	976	1061												
230 - 575	0				2733	1505	1250	2588	1428	1253	2430	1346	1255	2251	1255	1258
	1	2730	1404	1205	2583	1327	1207	2422	1248	1209	2250	1172	1211			
	2	2609	1263	1159	2450	1191	1161	2281	1121	1163						
	3	2464	1122	1112	2300	1055	1114									
	4	2373	1013	1065	2199	953	1067									
	5	2239	910	1017												

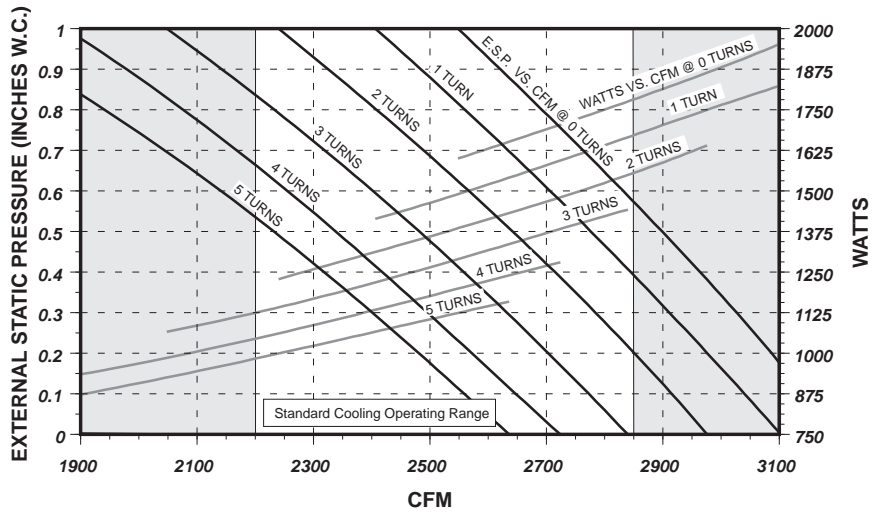
VOLTAGE	PULLEY TURNS OPEN	0	1	2	3	4*	5
208	RPM WITH 2 HP STD PULLEY	1245	1202	1157	1111	1064	1017
230 - 575	RPM WITH 2 HP STD PULLEY	1255	1210	1165	1115	1070	1020

\* Factory Setting Turns Open

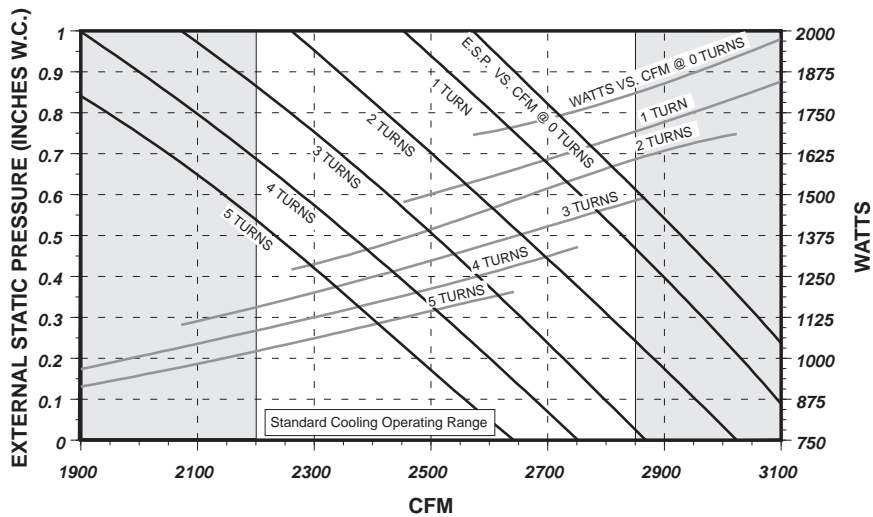
SPECIFICATIONS SUBJECT TO CHANGE WITHOUT NOTICE

**BELT DRIVE BLOWER PERFORMANCE DATA - 6-1/3 TON UNITS (PGMG75G)**

**208 VOLT**



**230, 460, 575 VOLT**



**NOTES:** 1) Maximum motor Watts is 1942 Watts at 208V, and 1991 Watts at 230-575V. 2) Maximum blower speed is 1400 RPM. 3) Contact factory for applications requiring operation outside standard cooling operating range. 4) Airflow data is based on dry coil with filters. 5) Pulley turns refers to turns out. In other words, 0 turns is a narrower sheave than 5 turns. 6) Blower speed MUST be set to give the correct air temperature rise through the unit as marked on the Rating Plate on in the *Technical Support Manual*

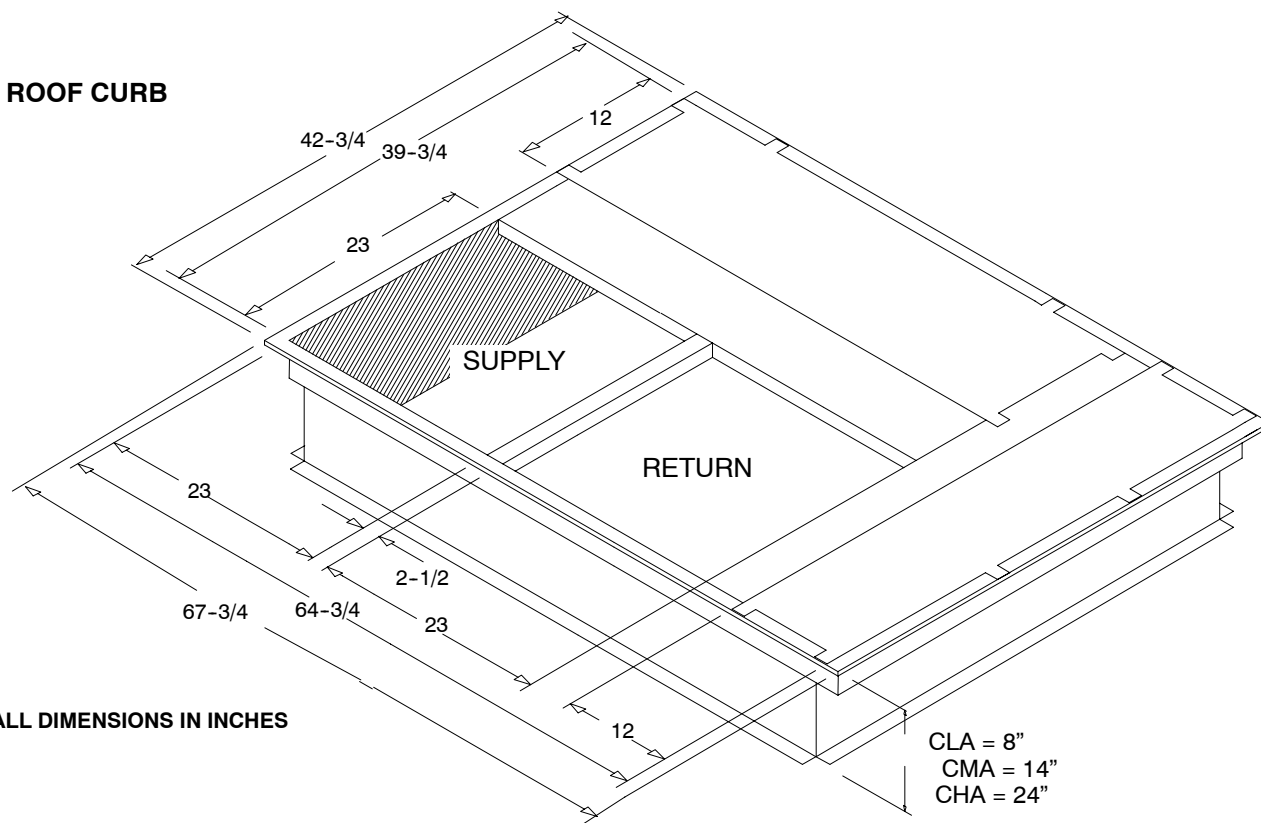
VOLTAGE	TURNS OPEN	EXTERNAL STATIC PRESSURE IN INCHES WATER COLUMN														
		.2			.4			.6			.8			1.0		
		CFM	WATTS	RPM	CFM	WATTS	RPM	CFM	WATTS	RPM	CFM	WATTS	RPM	CFM	WATTS	RPM
208	0							2832	1770	1346	2692	1685	1349	2548	1600	1354
	1							2706	1583	1302	2560	1497	1306	2406	1414	1310
	2				2715	1475	1254	2567	1395	1257	2408	1313	1259	2240	1228	1263
	3	2703	1372	1203	2558	1295	1206	2402	1216	1210	2233	1138	1212			
	4	2572	1210	1154	2418	1139	1157	2255	1067	1160						
	5	2481	1097	1104	2318	1030	1106									
230 - 575	0										2716	1739	1361	2572	1682	1365
	1							2756	1639	1313	2607	1557	1315	2453	1477	1317
	2				2733	1539	1262	2580	1443	1265	2422	1349	1267	2261	1271	1269
	3	2727	1417	1211	2581	1340	1213	2427	1261	1215	2259	1182	1217			
	4	2601	1261	1160	2444	1187	1162	2277	1116	1164						
	5	2477	1135	1109	2317	1068	1111									

VOLTAGE	PULLEY TURNS OPEN	0	1	2	3	4*	5
208	RPM WITH 2 HP STD PULLEY	1344	1301	1256	1208	1159	1108
230 - 575	RPM WITH 2 HP STD PULLEY	1360	1310	1265	1215	1165	1115

\* Factory Setting Turns Open

## ACCESSORIES

### ROOF CURB



### ROOF CURBS

Description	Model Number	Used on
8"	AXB030CLA	3 - 6 1/3 Ton
14"	AXB030CMA	3 - 6 1/3 Ton
24"	AXB030CHA	3 - 6 1/3 Ton

### OUTDOOR AIR DAMPERS

Description	Model Number	Used on
Manual - 25%	AXB030FAC	3 - 6 1/3 Ton
Motorized - 25%	AXB030FMC	3 - 6 1/3 Ton

### COIL PROTECTION

Description	Service Parts Number *	Used on
Coil Guard	1149486	3 - 6 1/3 Ton
Hail Guard	1065342	3 - 6 1/3 Ton

### NATURAL GAS LOW FIRE KITS

Description Standard Heat Input	Service Parts Number *	New Low Fire Heat Input
90,000 BTUH Kit	1148135	75,000 BTUH
135,000 BTUH Kit	1148137	110,000 BTUH
150,000 BTUH Kit	1148138	130,000 BTUH

### FOSSIL FUEL CONVERSION KIT

Description	Service Parts Number *	Used on Heat Input
Natural to LP Gas **	1149744	90 MBTUH
	1149746	135 MBTUH
	1149747	150 MBTUH
** These kits will convert all gas package units manufactured up till date code L9741.		
Natural to LP Gas ***	1084495	90 MBTUH
	1084497	135 MBTUH
	1084498	150 MBTUH
*** These kits will convert all gas package units manufactured up till date code L9741 and remove the turbulators in the units. These kits will also convert all gas package units manufactured after L9742 till current date.		
LP to Natural Gas	1148142	90, 135, 150 MBTUH

### CONCENTRIC DUCT KIT

Description	Mainline Model Number	Used on
Roof Curb Transition Square to Round	AXB030CTA	3 to 6 1/3 Ton
Grille, Flush Mount	AXB030CFA	3 to 5 Ton
Grille, Step Down	AXB030CSA	3 to 5 Ton
Grille, Flush Mount	AXB040CFA	6 1/3 Ton
Grille, Step Down	AXB040CSA	6 1/3 Ton

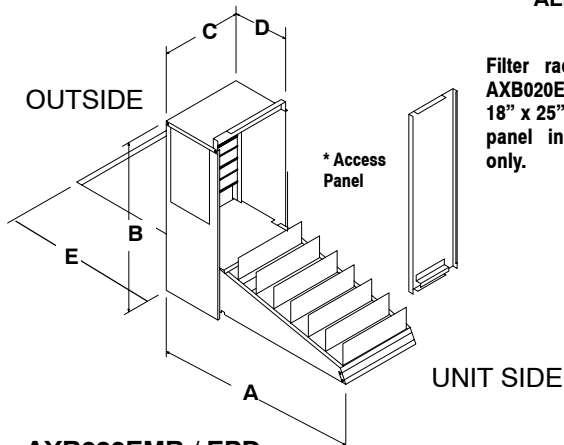
### LOW AMBIENT CONTROLS

Description	Service Parts Number*	Used on
To 0° F	1148233	3 - 5 Ton
To 0° F	1071675	6 1/3 Ton



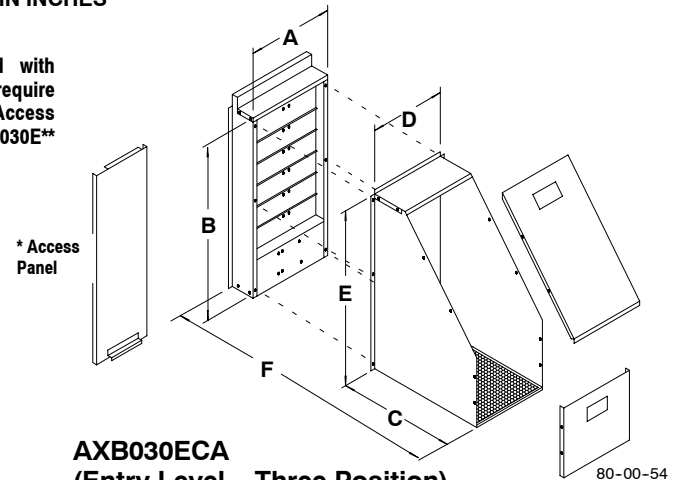
# ECONOMIZERS/DOWNFLOW

ALL DIMENSIONS IN INCHES



**AXB030EMB / EPD  
(Modulating or Three Position)**

Economizer Model No.	A	B	C	D	E
AXB030EMC/PD	35	31	14-3/4	10-7/8	22



**AXB030ECA  
(Entry Level - Three Position)**

Economizer Model No.	A	B	C	D	E	G
AXB030ECA	14-3/4	31	20-1/4	13	30	24

80-00-54

All Economizers Feature Enthalpy and/or ambient temperature control providing outdoor air ventilation and "free cooling" when outdoor conditions are favorable.

Return Air and Pressure Relief dampers for proper air balance, on most models.

Interconnecting wiring furnished.

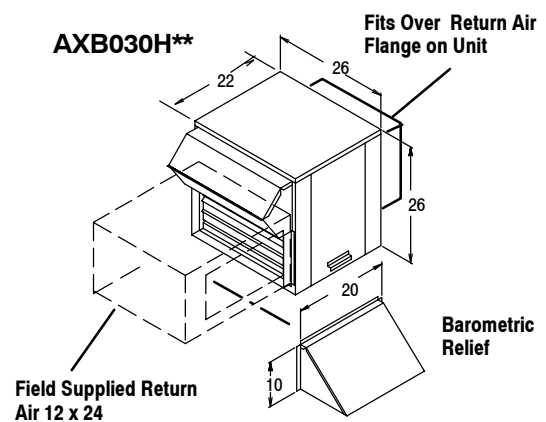
Center controlled dual action dampers with gaskets to provide proper seal.

Description	Model Number	Used on
Fully Modulating (1)	AXB030EMC	3 to 6-1/3 Ton
Three Position (2)	AXB030EPD	
Entry Level Three Position (3)	AXB030ECA	

**NOTES:**

- (1) - Ambient/Enthalpy Control; Includes Return Air Damper & Relief Damper.
- (2) - Ambient Control Only; Includes Return Air Damper & Relief Damper.
- (3) - Ambient Control Only; No Return Air Damper; No Relief Damper.
- (4) - On AXB030, Filters not supplied. Filter retainers and filters can be ordered thru Service Parts, retainer part number 1054517. Filters (20x30x2) part number 1054503.

# ECONOMIZERS/HORIZONTAL



Description	Model Number	Used on
Fully Modulating (1)	AXB030HEC	3 to 6-1/3 Ton
Three Position (2)	AXB030HPD	

**NOTES:**

- (1) - Ambient/Enthalpy Control; Includes Return Air Damper & Relief Damper.
- (2) - Ambient Control Only; Includes Return Air Damper & Relief Damper.

# GUIDE SPECIFICATION

## CABINET

The cabinet is made of sturdy G-90 galvanized steel, Triple-coated, consisting of a Polyester top coat, a urethane primer coat preceded by an oxide pretreatment. Access panels for easy service. Base rails are 18 gauge steel with fork lift slots and holes provided for lifting shackles. Unit is designed for convertible airflow and is shipped ready for downflow application. Conversion to horizontal airflow is accomplished by relocating two panels.

Return air compartments are insulated with 1" (25.4mm) of water resistant coated glass fiber and 1" (25.4mm) of aluminum foil faced glass fiber in the furnace/supply compartments.

## COOLING SECTION

Units are factory charged and operationally ready. Each refrigerant circuit has a compressor with internal overload protection, high and low pressure switches, filter drier, and copper tube/aluminum fin evaporator and condenser coils. The 6-1/3 ton units are two stage cooling.

Units are capable of cooling operation down to 40°F (17.4°C) as shipped from the factory.

## COILS

The evaporator and condenser coils are fabricated with aluminum fins mechanically bonded to copper tubing. Both coils are pressure tested prior to assembly into the unit and electronically leak tested after assembly into the unit. The evaporator coil is protected from dust and debris on the return air side by factory installed 2" (50.8mm) air filters.

## CONDENSER FAN

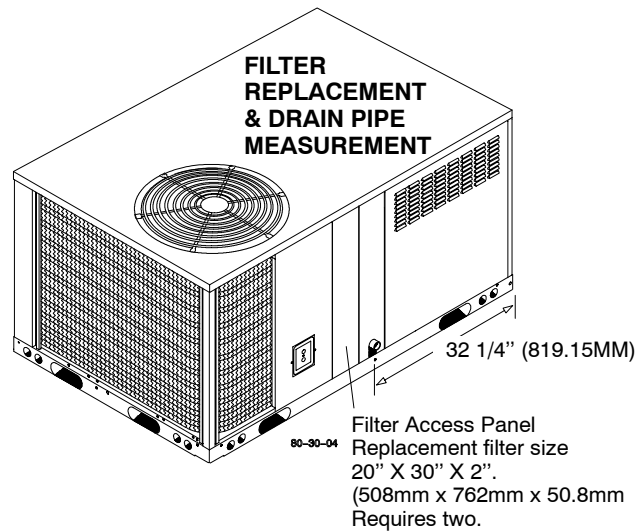
The unit has a single direct drive propeller fan/motor assembly mounted directly to a vertical-discharge grille panel that is easily removable. Motors are 1075 RPM with permanently lubricated sleeve bearings and inherent overload protection.

## EVAPORATOR BLOWER

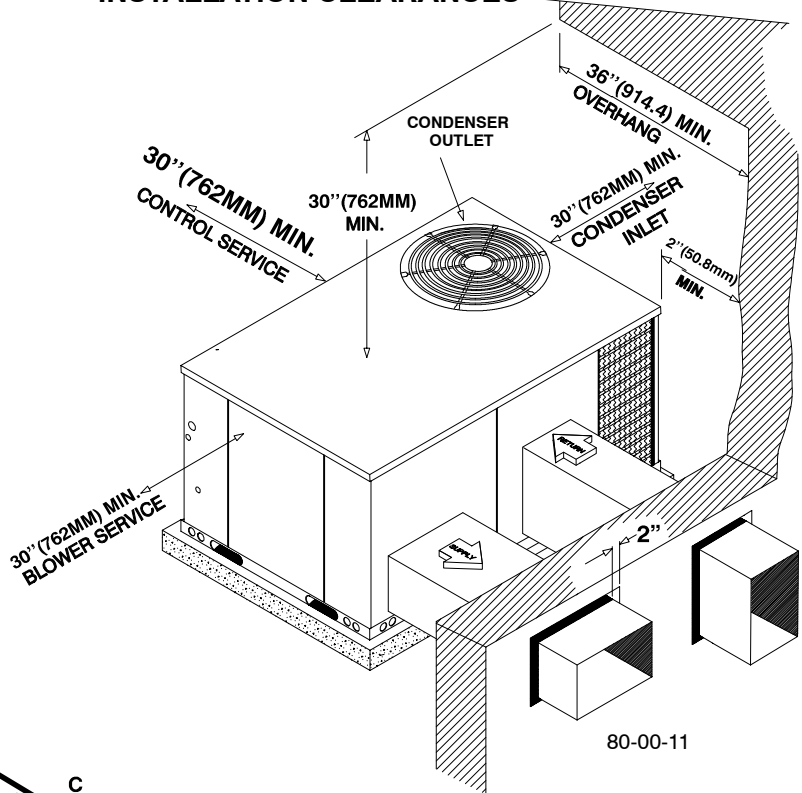
The PGMG36-75 units have belt drive blowers for high static applications. The evaporator blower system has the capability to operate against the same rated external static pressure in downflow or horizontal duct designs.

## HEATING SECTION

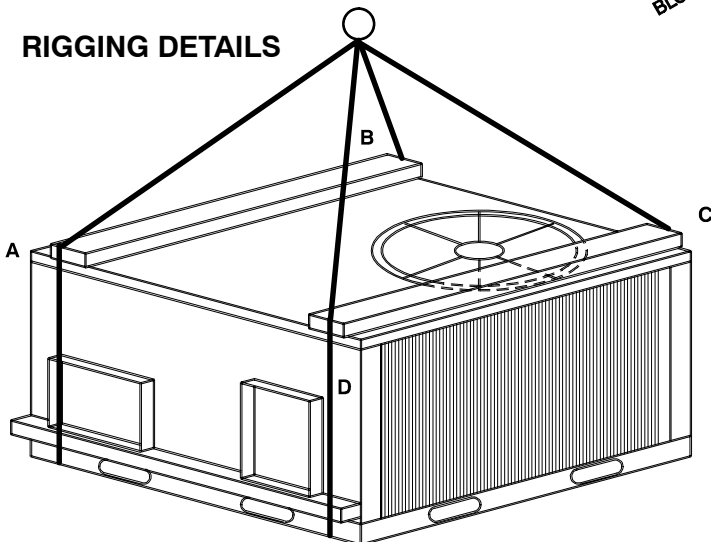
The units have aluminized steel tubular heat exchangers located on the discharge side of the evaporator blower with a single stage gas valve. The units have in-shot burners that are ignited by an electronic hot surface pilot with flame proving feature and protected by both a limit switch and flame roll-out switch. The induced draft blower motor is interlocked with a proven air pressure safety device.



## INSTALLATION CLEARANCES



## RIGGING DETAILS



## CORNER WEIGHTS (LBS/KGS)

MODEL	A	B	C	D	OPERATING WEIGHT TOTAL
3 Ton	122/55.3	163/74.0	172/78.0	129/58.5	586/265.8
4 Ton	137/62.1	169/76.7	169/76.7	137/62.1	612/277.6
5 Ton	141/64.0	173/78.5	173/78.5	141/64.0	628/284.9
6 1/3 Ton	156/70.8	193/87.5	209/94.8	170/77.1	728/330.2