

EAIC Air Cleaners 1400 & 2000 CFM

TEMPSTAR[®]
Heating and Cooling Products

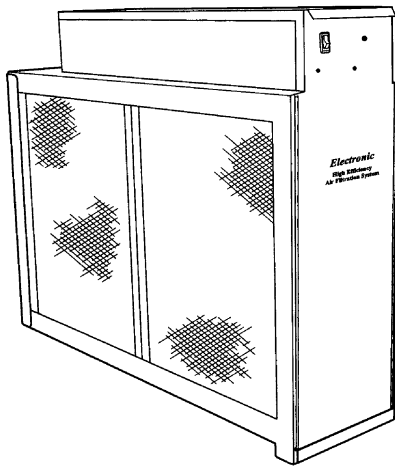
EAIC Electronic Air Cleaners

This duct mounted electronic air cleaner is available in 1400 and 2000 CFM models. EAIC comes in 2 sizes (120-v) to meet your furnace needs. Designed to remove airborne particles down to 0.01 microns in size, the EAIC effectively removes such particles as dust, dirt, lint, and pollen from your customer's home.

The electronic components of the Model EAIC convert the 120-v power supply to a 6200-v VDC that imparts an electrical charge to airborne particles such as smoke, bacteria, pollen, and dust. This charge causes these particles to attach themselves to the charged collecting plates, thus cleaning the airstream.

The resulting high cleaning efficiency enables the EAIC to also trap the smoke and extremely fine dust particles (from 0.01 to 5 microns in size) that are not removed by an ordinary throw-away-type filter. These ultrafine particles are the cause of most of the soil (smudging) of walls, draperies, curtains, etc.

The Model EAIC is designed to adapt to various types of return-air duct systems and can be mounted in either a vertical or horizontal position.



Representative drawing only, some models may vary in appearance.



FEATURES:

COMPACT

- Two cabinet sizes meet most application requirements.

FULLY ASSEMBLED

- EAIC unit is fully assembled and ready for installation.

LOW OPERATING COST

- The monthly cost of operating these electronic air cleaners is less than that for a 60-watt bulb.

VERSATILITY

- Airflow direction can be reversed by simply reversing the prefilter and cell assemblies within the cabinet.

EASILY CLEANED

- Soak and rinse cells; vacuum prefilters.

APPLICATION

- Unit can be installed in a horizontal or vertical position, which makes it equally adaptable to basement, horizontal, downflow, or standard upflow.

SOLID STATE POWER SUPPLY

- Power supply is a highly reliable state-of-the-art, solid-state, high-voltage device.

DURABLE CABINET

- Heavy gage steel cabinet supports up to 400 lb when installed beneath an upflow furnace.

AGENCY LISTED

- Model EAIC Electronic Air Cleaner is UL and cUL listed.

FINANCING

- Eligible for consumer financing program.

LIMITED WARRANTY

- Five year warranty.

RESIDENTIAL AND COMMERCIAL SYSTEMS • SPLIT SYSTEMS • PACKAGED AIR CONDITIONERS
• COMBINATION GAS / ELECTRIC UNITS • HEAT PUMPS • AIR HANDLERS • MANUFACTURED
HOME AIR CONDITIONERS • GAS, OIL AND ELECTRIC FURNACES

PERFORMANCE DATA		
MODEL NUMBER	EAIC1014A	EAIC1020A
Maximum Capacity	1400 CFM	2000 CFM
Efficiency at Rated CFM	68% at 1400 CFM	65% at 2000 CFM
Pressure Drop (in wc)	0.11 at 1400 CFM	0.14 at 2000 CFM
Ozone Generation	Less than 25 ppb	Less than 25 ppb
Temperature Rating	32°F to 125°F	32°F to 125°F
Input Volts	120	120
Input Hertz	50/60	50/60
Normal Operation Input Power (Watts)	18.5	23
Max Input Power (Watts)	40	48
Electrical Output	2.5 mA @ 6.2 kVDC	3.2 mA @ 6.2 kVDC

PHYSICAL DATA		
MODEL NUMBER	EAIC1014A	EAIC1020A
Ionizer Wire Qty	13/cell	13/cell
Cell Weight	10 lb/cell	12 lb/cell
Unit Weight	41 lb	46 lb
Cabinet Construction	Epoxy Powdered Steel; supports 400 lbs	Epoxy Powdered Steel; supports 400 lbs
Power Supply Location	Top of Unit	Top of Unit
Prefilters	2	2
Airflow Sensor	Field Installed Accessory	

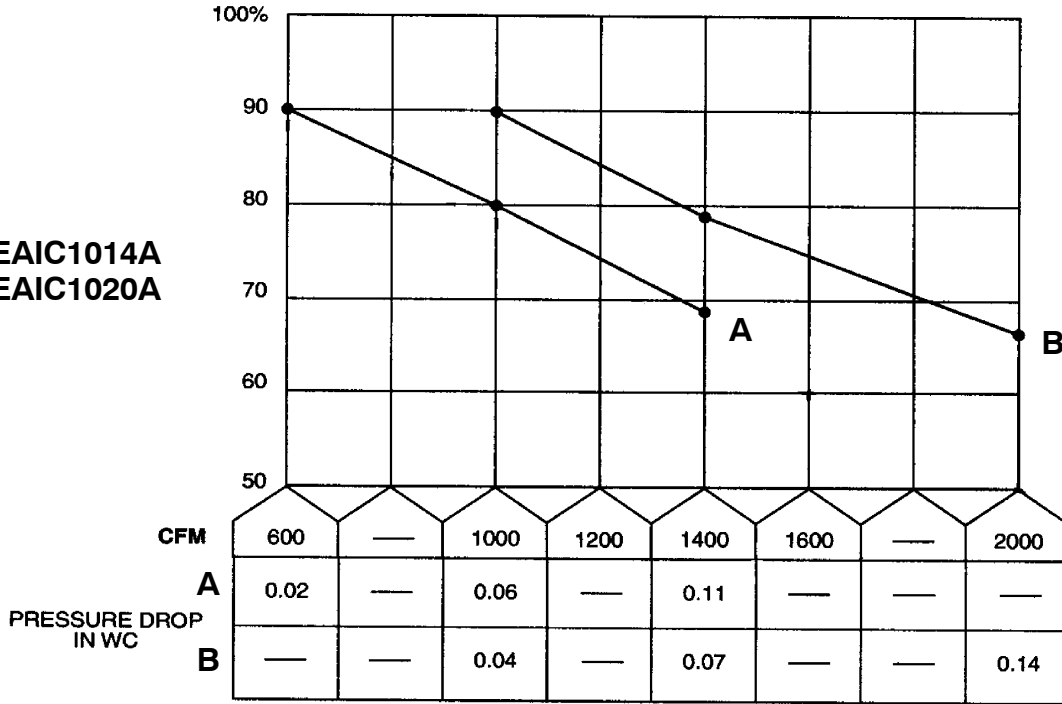
ACCESSORIES		
MODEL NUMBER	EAIC1014A	EAIC1020A
Airflow Sensor * (Field Installed Kit)	248090-101	248090-101
Charcoal Filter *	227833-003	227833-004

* Available thru Fast Parts.

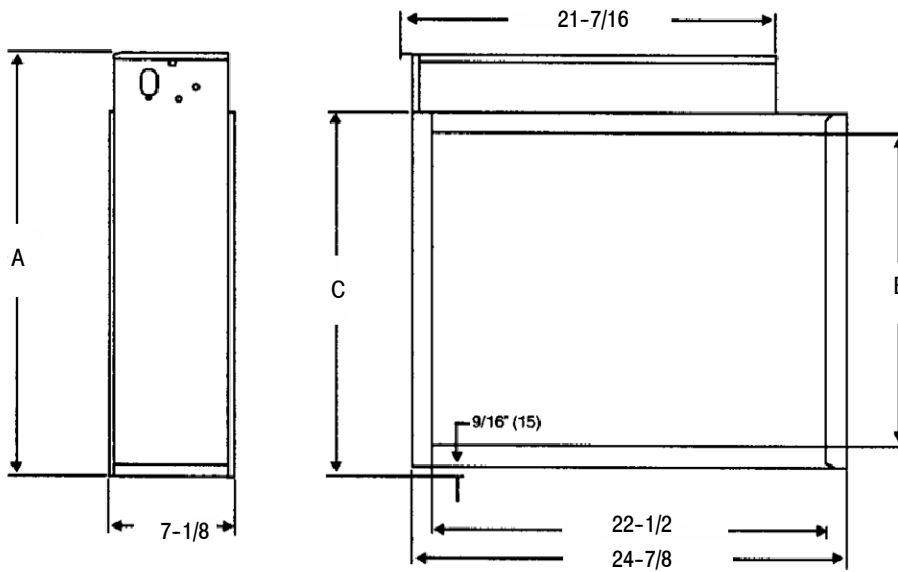
MODEL NUMBER IDENTIFICATION GUIDE			
MODEL NUMBER	EAIC	1	014 A
PRODUCT FAMILY	EAIC = Electronic Air Cleaner		Series
Voltage	1 = 120v/1/60		CFM 014 = 1400 CFM, 020 = 2000 CFM

Efficiency and Pressure Drop Performance Chart

A = EAIC1014A
B = EAIC1020A

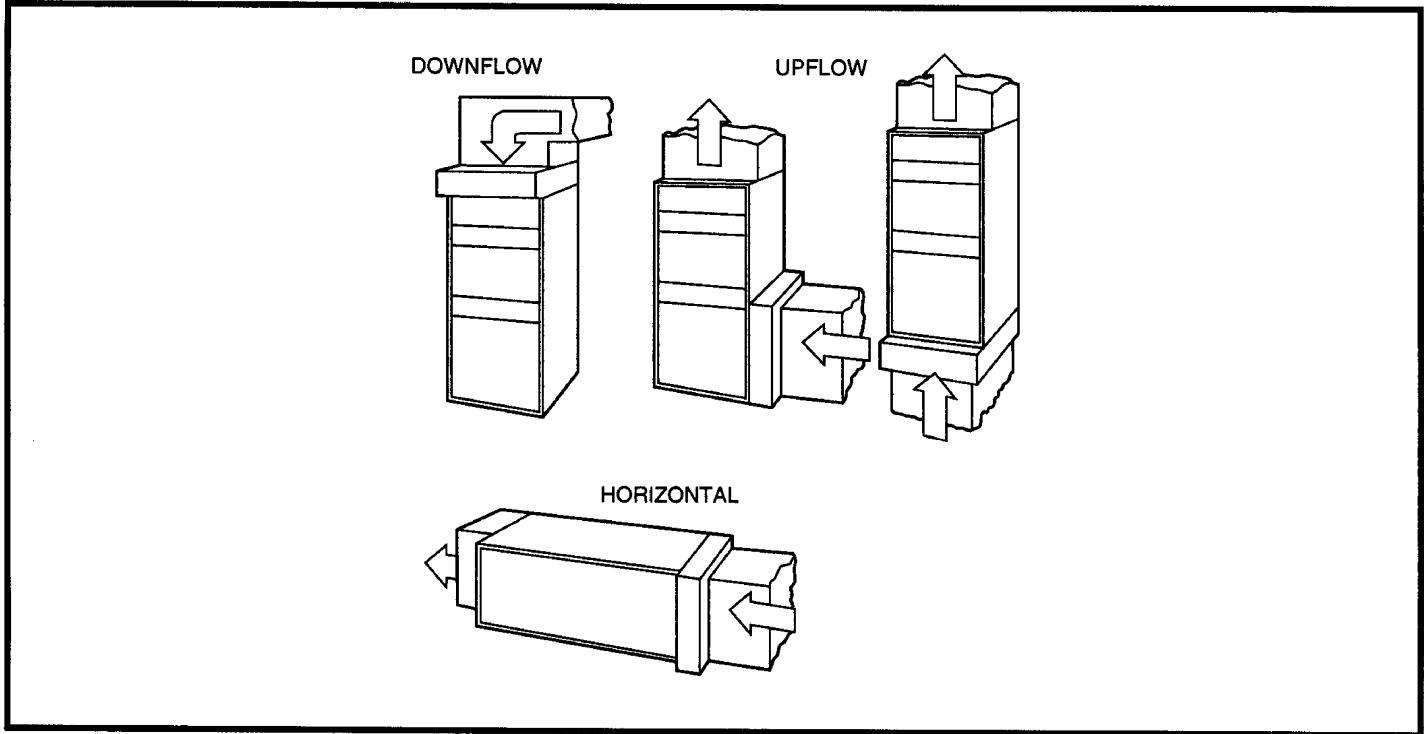


DIMENSIONS



	A	B	C
EAIC1014A	20-1/4	13-7/8	16-15/16
EAIC1020A	24-1/4	17-7/8	20-15/16

Typical installations



Air cleaner performance chart

Performance	STANDARD 1 IN. FILTER							
	GOOD MECHANICAL FILTER							
	FULL SIZE ELECTRONIC AIR CLEANER							
	BACTERIA							
Living Airborne Organisms	POLLEN				VIRUSES			
	PLANT SPORES							
Smoke					COOKING SMOKE & GREASE			
					TOBACCO SMOKE			
Minerals	ATMOSPHERIC & HOUSEHOLD DUST							
	COAL DUST							
	LINT				ANIMAL DANDER			
					INSECTICIDE DUST			
Particle Size in Microns	10 Visible w/ Naked Eye	5	2	1	0.5	0.1	0.01	0.001
Particle Number	0.1%			19.9%			80%	
Particle Weight	70%			29%			1%	
Most Staining Effect								
Most likely re- strained in lungs								
80% of contamination								