



PGX3

Product Specifications

13 SEER R-410A PACKAGE GAS / ELECTRIC UNIT (3 Phase) 35 to 57 MBtuh REFRIGERATION CIRCUIT

- All models are equipped with high efficiency 2 stage Copeland scroll compressor.
- Thermostatic Expansion Valve (TXV) controls refrigerant flow.
- High efficiency indoor motors.
- High and Low pressure switches for excellent compressor protection.



BUILT TO LAST

- Stainless steel tubular heat exchanger.
- Galvanized-painted cabinet. One piece weather resistant top. Access panels for easy service. Side by side supply and return. Heavy gauge base rails.
- Triple-coated steel, consisting of a Polyester top coat, a urethane primer coat preceded by an oxide pretreatment.
- Integral base rails with fork-lift access on three sides. Holes provided for lifting lugs makes rooftop installation easier.
- The condenser coil has a sturdy wire inlet grille and UV rated vinyl mesh installed on the surface of the coil for additional protection.
- Advanced Air Management System for quieter operation.

EASY TO INSTALL AND SERVICE

- Combination gas heating and electric cooling, self contained for year-round comfort. Systems installed on rooftop or ground level. The unit is shipped in the horizontal position and can easily be converted to downflow.
- Externally-mounted gauge ports allow for more accurate reading of operating conditions while servicing.
- Electrical and gas controls located behind one exterior panel for easier maintenance.
- Adjustable electronic fan control with optional low speed continuous fan feature responds quickly to circulate heated air and provide maximum comfort.
- Pre-wired for economizer

WARRANTY

- 10 year limited heat exchanger warranty
- 5 year limited compressor warranty
- 1 year limited parts warranty



UNIT PERFORMANCE DATA

Model Number	COOLING				HEATING		Voltage/Phase/Hz	Unit Dimensions H x W x L	Ship Weight
	Rated Capacity BTUH	S.E.E.R	E.E.R	S/T Ratio	Input (BTUH)	Efficiency (AFUE%)			
PGX336060H0*A	35,000	13.0	10.0	0.76	60,000	79.2	208/230-3-60	36-1/2 X 47-5/16 X 47-5/16	439
PGX336060L0*A	35,000	13.0	10.0	0.76	60,000	79.2	460-3-60	36-1/2 X 47-5/16 X 47-5/16	439
PGX336080H0*A	35,000	13.0	10.0	0.76	80,000	78.2	208/230-3-60	36-1/2 X 47-5/16 X 47-5/16	441
PGX336080L0*A	35,000	13.0	10.0	0.76	80,000	78.2	460-3-60	36-1/2 X 47-5/16 X 47-5/16	441
PGX336100H0*A	35,000	13.0	10.0	0.76	100,000	78.7	208/230-3-60	36-1/2 X 47-5/16 X 47-5/16	443
PGX336100L0*A	35,000	13.0	10.0	0.76	100,000	78.7	460-3-60	36-1/2 X 47-5/16 X 47-5/16	443
PGX342080H0*A	40,000	13.0	10.0	0.76	80,000	79.6	208/230-3-60	36 X 47-5/16 X 73	612
PGX342080L0*A	40,000	13.0	10.0	0.76	80,000	79.6	460-3-60	36 X 47-5/16 X 73	612
PGX342100H0*A	40,000	13.0	10.0	0.76	100,000	78.7	208/230-3-60	36 X 47-5/16 X 73	614
PGX342100L0*A	40,000	13.0	10.0	0.76	100,000	78.7	460-3-60	36 X 47-5/16 X 73	614
PGX348080H0*A	45,000	13.0	10.0	0.76	80,000	79.6	208/230-3-60	36 X 47-5/16 X 73	618
PGX348080L0*A	45,000	13.0	10.0	0.76	80,000	79.6	460-3-60	36 X 47-5/16 X 73	618
PGX348120H0*A	45,000	13.0	10.0	0.76	120,000	78.8	208/230-3-60	36 X 47-5/16 X 73	619
PGX348120L0*A	45,000	13.0	10.0	0.76	120,000	78.8	460-3-60	36 X 47-5/16 X 73	619
PGX348140H0*A	45,000	13.0	10.0	0.76	140,000	78.1	208/230-3-60	36 X 47-5/16 X 73	620
PGX348140L0*A	45,000	13.0	10.0	0.76	140,000	78.1	460-3-60	36 X 47-5/16 X 73	620
PGX360080H0*A	57,000	13.0	10.0	0.76	80,000	79.6	208/230-3-60	36 X 47-5/16 X 73	628
PGX360080L0*A	57,000	13.0	10.0	0.76	80,000	79.6	460-3-60	36 X 47-5/16 X 73	628
PGX360120H0*A	57,000	13.0	10.0	0.76	120,000	78.8	208/230-3-60	36 X 47-5/16 X 73	631
PGX360120L0*A	57,000	13.0	10.0	0.76	120,000	78.8	460-3-60	36 X 47-5/16 X 73	631
PGX360140H0*A	57,000	13.0	10.0	0.76	140,000	78.1	208/230-3-60	36 X 47-5/16 X 73	632
PGX360140L0*A	57,000	13.0	10.0	0.76	140,000	78.1	460-3-60	36 X 47-5/16 X 73	632

* 0 = Standard Model, 1 = Low Nox California Model

UNIT SPECIFICATIONS

MODEL NUMBER	Electrical Data			Condenser Data								Sound Ratings (db)
				Coil			Fan Motor		Fan			
	Voltage 3 Phase 60 Hz	HACR	Minimum Circuit Ampacity				Total Face Area (Sq. Ft.)	Fins Per In. / Rows	Tube Diameter (In.)	HP	Full Load Amps	
PGX336060H0*A	208/230	30 amps.	21.3	11.40	18 / 2	3/8	1/4	1.4	20	1100	2200	75
PGX336060L0*A	460	15 amps.	12.4	11.40	18 / 2	3/8	1/4	0.8	20	1100	2200	75
PGX336080H0*A	208/230	30 amps.	21.3	11.40	18 / 2	3/8	1/4	1.4	20	1100	2200	75
PGX336080L0*A	460	15 amps.	12.4	11.40	18 / 2	3/8	1/4	0.8	20	1100	2200	75
PGX336100H0*A	208/230	30 amps.	21.3	11.40	18 / 2	3/8	1/4	1.4	20	1100	2200	75
PGX336100L0*A	460	15 amps.	12.4	11.40	18 / 2	3/8	1/4	0.8	20	1100	2200	75
PGX342080H0*A	208/230	35 amps.	24.2	12.99	18 / 2	3/8	1/4	1.4	22	1100	2200	77
PGX342080L0*A	460	20 amps.	14.4	12.99	18 / 2	3/8	1/4	0.8	22	1100	2200	77
PGX342100H0*A	208/230	35 amps.	24.2	12.99	18 / 2	3/8	1/4	1.4	22	1100	2200	77
PGX342100L0*A	460	20 amps.	14.4	12.99	18 / 2	3/8	1/4	0.8	22	1100	2200	77
PGX348080H0*A	208/230	35 amps.	26.0	12.99	18 / 2	3/8	1/4	1.4	22	1100	2400	77
PGX348080L0*A	460	20 amps.	16.5	12.99	18 / 2	3/8	1/4	0.8	22	1100	2400	77
PGX348120H0*A	208/230	35 amps.	26.0	12.99	18 / 2	3/8	1/4	1.4	22	1100	2400	77
PGX348120L0*A	460	20 amps.	16.5	12.99	18 / 2	3/8	1/4	0.8	22	1100	2400	77
PGX348140H0*A	208/230	35 amps.	26.0	12.99	18 / 2	3/8	1/4	1.4	22	1100	2400	77
PGX348140L0*A	460	20 amps.	16.5	12.99	18 / 2	3/8	1/4	0.8	22	1100	2400	77
PGX360080H0*A	208/230	45 amps.	31.1	17.12	18 / 2	3/8	1/4	1.4	22	1100	3000	78
PGX360080L0*A	460	25 amps.	20.5	17.12	18 / 2	3/8	1/4	1.5	22	1100	3000	78
PGX360120H0*A	208/230	45 amps.	31.1	17.12	18 / 2	3/8	1/4	1.4	22	1100	3000	78
PGX360120L0*A	460	25 amps.	20.5	17.12	18 / 2	3/8	1/4	1.5	22	1100	3000	78
PGX360140H0*A	208/230	45 amps.	31.1	17.12	18 / 2	3/8	1/4	1.4	22	1100	3000	78
PGX360140L0*A	460	25 amps.	20.5	17.12	18 / 2	3/8	1/4	1.5	22	1100	3000	78

* 0 = Standard Model, 1 = Low Nox California Model

UNIT SPECIFICATIONS (CONT.)

MODEL NUMBER	Evaporator Coil									Scroll Compressor		R-410 Factory Refrigerant Charge (lbs.)	Ship Weight (Lbs.)
	Coil			Motor			Blower			Rated Load Amps	Locked Rotor Amps		
	Total Face Area (Sq. Ft.)	Fins Per In. / Rows	Tube Diam. (In.)	H.P.	Full Load Amps	No. of Speed Taps	Size	RPM (Max)	CFM Rated				
PGX336060H0*A	3.56	14 / 4	3/8	3/4	6.0	4	11 x 9	1050	1200	11.2	58.0	10.2	439
PGX336060L0*A	3.56	14 / 4	3/8	3/4	6.0	4	11 x 9	1050	1200	4.5	29.0	10.2	439
PGX336080H0*A	3.56	14 / 4	3/8	3/4	6.0	4	11 x 9	1050	1200	11.2	58.0	10.2	441
PGX336080L0*A	3.56	14 / 4	3/8	3/4	6.0	4	11 x 9	1050	1200	4.5	29.0	10.2	441
PGX336100H0*A	3.56	14 / 4	3/8	3/4	6.0	4	11 x 9	1050	1200	11.2	58.0	10.2	443
PGX336100L0*A	3.56	14 / 4	3/8	3/4	6.0	4	11 x 9	1050	1200	4.5	29.0	10.2	443
PGX342080H0*A	5.14	14 / 3	3/8	3/4	6.0	5	11 x 9	1050	1400	13.5	88.0	12.7	612
PGX342080L0*A	5.14	14 / 3	3/8	3/4	6.0	5	11 x 9	1050	1400	6.1	44.0	12.7	612
PGX342100H0*A	5.14	14 / 3	3/8	3/4	6.0	5	11 x 9	1050	1400	13.5	88.0	12.7	614
PGX342100L0*A	5.14	14 / 3	3/8	3/4	6.0	5	11 x 9	1050	1400	6.1	44.0	12.7	614
PGX348080H0*A	5.14	14 / 3	3/8	1.0	7.7	5	11 x 10	1050	1600	13.5	88.0	11.8	618
PGX348080L0*A	5.14	14 / 3	3/8	1.0	7.7	5	11 x 10	1050	1600	6.4	41.0	11.8	618
PGX348120H0*A	5.14	14 / 3	3/8	1.0	7.7	5	11 x 10	1050	1600	13.5	88.0	11.8	619
PGX348120L0*A	5.14	14 / 3	3/8	1.0	7.7	5	11 x 10	1050	1600	6.4	41.0	11.8	619
PGX348140H0*A	5.14	14 / 3	3/8	1.0	7.7	5	11 x 10	1050	1600	13.5	88.0	11.8	620
PGX348140L0*A	5.14	14 / 3	3/8	1.0	7.7	5	11 x 10	1050	1600	6.4	41.0	11.8	620
PGX360080H0*A	8.22	14 / 3	3/8	1.0	7.7	5	11 x 10	1050	2000	17.6	123.0	15.00	628
PGX360080L0*A	8.22	14 / 3	3/8	1.0	7.7	5	11 x 10	1050	2000	9.0	62.0	15.00	628
PGX360120H0*A	8.22	14 / 3	3/8	1.0	7.7	5	11 x 10	1050	2000	17.6	123.0	15.00	631
PGX360120L0*A	8.22	14 / 3	3/8	1.0	7.7	5	11 x 10	1050	2000	9.0	62.0	15.00	631
PGX360140H0*A	8.22	14 / 3	3/8	1.0	7.7	5	11 x 10	1050	2000	17.6	123.0	15.00	632
PGX360140L0*A	8.22	14 / 3	3/8	1.0	7.7	5	11 x 10	1050	2000	9.0	62.0	15.00	632

* 0 = Standard Model, 1 = Low Nox California Model

EXPANDED PERFORMANCE DATA: COOLING

PGX336

OD Ambient (°F)	ID Airflow (SCFM)	1030					1200					1350				
		Entering Indoor Temperature - Degrees F, Wet Bulb														
		57	62	63 ⁺⁺	67	72	57	62	63 ⁺⁺	67	72	57	62	63 ⁺⁺	67	72
75	MBh ⁺	35.8	37.2	37.9	41.0	45.1	37.6	38.3	38.9	42.0	46.2	39.1	39.3	39.7	42.9	47.1
	S/T	0.98	0.91	0.72	0.69	0.51	0.98	0.95	0.75	0.73	0.52	0.98	0.99	0.79	0.76	0.54
	kW*	2.40	2.41	2.42	2.44	2.47	2.56	2.57	2.58	2.60	2.63	2.73	2.73	2.73	2.76	2.79
85	MBh ⁺	34.4	35.4	36.0	39.0	43.0	36.1	36.5	36.9	39.9	44.0	37.5	37.6	37.7	40.7	44.8
	S/T	0.98	0.93	0.74	0.71	0.51	0.98	0.98	0.77	0.74	0.53	0.98	0.98	0.81	0.78	0.55
	kW*	2.69	2.70	2.70	2.73	2.76	2.85	2.85	2.86	2.89	2.92	3.01	3.01	3.01	3.04	3.08
95	MBh ⁺	33.0	33.6	34.1	36.9	40.7	34.5	34.6	34.9	37.8	41.7	35.9	35.9	35.6	38.5	42.4
	S/T	0.98	0.96	0.75	0.73	0.52	0.98	0.98	0.79	0.76	0.54	0.98	0.98	0.83	0.80	0.56
	kW*	2.99	3.00	3.01	3.04	3.07	3.16	3.16	3.17	3.19	3.23	3.32	3.32	3.32	3.35	3.39
105	MBh ⁺	31.4	31.7	32.1	34.8	38.4	32.9	32.9	32.9	35.6	39.3	34.1	34.2	33.5	36.3	39.9
	S/T	0.98	0.98	0.77	0.74	0.53	0.98	0.98	0.81	0.79	0.55	0.98	0.98	0.85	0.83	0.57
	kW*	3.33	3.33	3.34	3.37	3.41	3.50	3.50	3.50	3.53	3.57	3.66	3.66	3.65	3.68	3.72
115	MBh ⁺	29.8	29.8	30.0	32.6	36.0	31.1	31.2	30.7	33.3	36.8	32.3	32.3	31.2	33.9	37.3
	S/T	0.98	0.98	0.80	0.77	0.54	0.98	0.98	0.84	0.81	0.57	0.98	0.98	0.88	0.86	0.59
	kW*	3.69	3.69	3.70	3.73	3.77	3.86	3.86	3.85	3.89	3.93	4.02	4.02	4.01	4.04	4.08
125	MBh ⁺	28.0	28.1	27.8	30.2	33.5	29.3	29.3	28.4	30.9	34.1	30.3	30.4	28.9	31.4	34.6
	S/T	0.98	0.98	0.83	0.80	0.56	0.98	0.98	0.87	0.85	0.58	0.98	0.98	0.92	0.89	0.61
	kW*	4.08	4.08	4.08	4.11	4.15	4.25	4.25	4.23	4.27	4.31	4.41	4.41	4.39	4.43	4.47

PGX336 (Low Capacity)

OD Ambient (°F)	ID Airflow (SCFM)	750					850					950				
		Entering Indoor Temperature - Degrees F, Wet Bulb														
		57	62	63 ⁺⁺	67	72	57	62	63 ⁺⁺	67	72	57	62	63 ⁺⁺	67	72
75	MBh ⁺	25.2	26.0	26.5	28.8	31.9	26.4	26.8	27.2	29.5	32.7	27.5	27.6	27.8	30.2	33.3
	S/T	0.98	0.92	0.73	0.71	0.51	0.98	0.97	0.77	0.74	0.53	0.98	0.98	0.80	0.77	0.55
	kW*	1.23	1.19	1.17	1.07	0.94	1.20	1.18	1.17	1.07	0.93	1.18	1.17	1.17	1.06	0.92
85	MBh ⁺	24.1	24.6	25.0	27.2	30.2	25.2	25.3	25.6	27.9	30.9	26.2	26.3	26.2	28.4	31.5
	S/T	0.98	0.95	0.75	0.72	0.52	0.98	0.99	0.79	0.76	0.54	0.98	0.98	0.82	0.79	0.56
	kW*	1.48	1.46	1.44	1.34	1.22	1.45	1.45	1.44	1.34	1.21	1.44	1.43	1.44	1.34	1.21
95	MBh ⁺	22.9	23.1	23.5	25.6	28.4	24.0	24.0	24.1	26.2	29.1	24.9	25.0	24.5	26.7	29.6
	S/T	0.98	0.98	0.77	0.74	0.53	0.98	0.98	0.81	0.78	0.55	0.98	0.98	0.84	0.82	0.57
	kW*	1.75	1.74	1.73	1.64	1.51	1.73	1.73	1.73	1.64	1.51	1.72	1.72	1.73	1.64	1.51
105	MBh ⁺	21.7	21.8	22.0	24.0	26.6	22.7	22.8	22.5	24.5	27.2	23.6	23.6	22.9	24.9	27.7
	S/T	0.98	0.98	0.80	0.77	0.54	0.98	0.98	0.84	0.81	0.56	0.98	0.98	0.87	0.85	0.59
	kW*	2.05	2.05	2.04	1.96	1.84	2.03	2.03	2.05	1.96	1.84	2.02	2.02	2.05	1.96	1.84
115	MBh ⁺	20.5	20.5	20.4	22.3	24.8	21.4	21.4	20.8	22.7	25.3	22.2	22.2	21.2	23.1	25.7
	S/T	0.98	0.98	0.82	0.79	0.56	0.98	0.98	0.87	0.84	0.58	0.98	0.98	0.91	0.88	0.61
	kW*	2.38	2.37	2.38	2.30	2.19	2.36	2.36	2.39	2.30	2.19	2.35	2.35	2.40	2.31	2.19
125	MBh ⁺	19.2	19.2	18.7	20.5	22.8	20.0	20.0	19.1	20.9	23.3	20.7	20.8	19.5	21.3	23.6
	S/T	0.98	0.98	0.86	0.83	0.57	0.98	0.98	0.91	0.88	0.60	0.98	0.98	0.95	0.92	0.63
	kW*	2.73	2.72	2.74	2.67	2.56	2.71	2.71	2.75	2.68	2.57	2.71	2.71	2.76	2.68	2.57

Notes: When the required data fall between the published data, interpolation may be performed. Extrapolation is not an acceptable practice.

+Total capacities are net capacities. Blower heat has been subtracted.

++ At TVA rating indoor condition (75 F db/ 63 F wb), All other indoor air temperatures are at 80 F db

* System kW is total unit kW

Standard Rating =

S/T are based on 80°F db entering air at the indoor coil. For sensible capacities at other than 80°5 db, deduct 83° Btuh per 1000 cfm of indoor coil air from (MBh x S/T) for each degree below 80°F, or add 835 Btuh per 1000 cfm of indoor coil air from (MBh x S/T) for each degree above 80°F.

EXPANDED PERFORMANCE DATA: COOLING

PGX342

OD Ambient (°F)	ID Airflow (SCFM)	1225					1400					1575				
		Entering Indoor Temperature - Degrees F, Wet Bulb														
		57	62	63 ⁺⁺	67	72	57	62	63 ⁺⁺	67	72	57	62	63 ⁺⁺	67	72
75	MBh ⁺	41.3	42.5	43.2	46.5	50.7	43.2	43.7	44.3	47.6	51.8	44.9	44.9	45.2	48.4	52.7
	S/T	0.98	0.92	0.73	0.70	0.51	0.98	0.97	0.76	0.74	0.53	0.98	0.98	0.80	0.78	0.55
	kW*	2.80	2.81	2.82	2.85	2.89	2.92	2.92	2.93	2.96	3.01	2.99	2.99	3.00	3.03	3.08
85	MBh ⁺	39.7	40.6	41.3	44.4	48.4	41.6	41.7	42.2	45.4	49.4	43.1	43.2	43.0	46.1	50.1
	S/T	0.98	0.94	0.74	0.72	0.52	0.98	0.99	0.78	0.76	0.54	0.98	0.98	0.82	0.79	0.56
	kW*	3.08	3.09	3.10	3.13	3.17	3.20	3.20	3.21	3.24	3.29	3.28	3.28	3.27	3.31	3.35
95	MBh ⁺	38.1	38.6	39.2	42.1	45.9	39.8	39.9	40.0	43.0	46.8	41.2	41.3	40.7	43.7	47.4
	S/T	0.98	0.97	0.76	0.73	0.53	0.98	0.98	0.80	0.78	0.55	0.98	0.98	0.84	0.82	0.57
	kW*	3.39	3.40	3.40	3.44	3.48	3.51	3.51	3.51	3.55	3.59	3.58	3.59	3.58	3.61	3.66
105	MBh ⁺	36.4	36.5	37.0	39.7	43.3	37.9	38.0	37.7	40.5	44.0	39.2	39.3	38.4	41.1	44.6
	S/T	0.98	0.99	0.78	0.75	0.54	0.98	0.98	0.82	0.80	0.56	0.98	0.98	0.87	0.84	0.59
	kW*	3.73	3.73	3.74	3.77	3.82	3.85	3.85	3.85	3.88	3.93	3.92	3.93	3.91	3.95	4.00
115	MBh ⁺	34.4	34.5	34.6	37.1	40.4	35.8	35.9	35.3	37.8	41.1	37.0	37.1	35.8	38.4	41.6
	S/T	0.98	0.98	0.80	0.78	0.55	0.98	0.98	0.85	0.83	0.58	0.98	0.98	0.90	0.88	0.61
	kW*	4.10	4.10	4.10	4.14	4.18	4.22	4.22	4.21	4.25	4.29	4.29	4.29	4.28	4.31	4.36
125	MBh ⁺	32.3	32.3	31.9	34.3	37.2	33.5	33.6	32.5	34.9	37.7	34.5	34.6	33.0	35.3	38.2
	S/T	0.98	0.98	0.84	0.81	0.57	0.98	0.98	0.89	0.87	0.60	0.98	0.98	0.94	0.92	0.63
	kW*	4.50	4.50	4.49	4.53	4.57	4.61	4.62	4.60	4.64	4.68	4.69	4.69	4.67	4.70	4.74

PGX342 (Low Capacity)

OD Ambient (°F)	ID Airflow (SCFM)	800					900					1000				
		Entering Indoor Temperature - Degrees F, Wet Bulb														
		57	62	63 ⁺⁺	67	72	57	62	63 ⁺⁺	67	72	57	62	63 ⁺⁺	67	72
75	MBh ⁺	30.7	31.4	32.0	34.7	38.4	32.1	32.3	32.8	35.6	39.3	33.3	33.4	33.4	36.3	40.0
	S/T	0.98	0.94	0.75	0.72	0.52	0.98	0.99	0.78	0.75	0.54	0.98	0.98	0.81	0.78	0.55
	kW*	1.35	1.32	1.29	1.16	0.99	1.31	1.30	1.28	1.15	0.97	1.29	1.29	1.28	1.15	0.97
85	MBh ⁺	29.3	29.6	30.2	32.8	36.3	30.6	30.6	30.9	33.5	37.1	31.7	31.8	31.5	34.1	37.7
	S/T	0.98	0.97	0.77	0.74	0.53	0.98	0.98	0.80	0.77	0.55	0.98	0.98	0.83	0.80	0.57
	kW*	1.65	1.64	1.61	1.49	1.33	1.62	1.61	1.60	1.48	1.31	1.60	1.60	1.61	1.49	1.32
95	MBh ⁺	27.8	27.9	28.3	30.8	34.1	29.0	29.1	28.9	31.5	34.8	30.1	30.2	29.5	32.0	35.4
	S/T	0.98	0.98	0.79	0.76	0.54	0.98	0.98	0.82	0.79	0.56	0.98	0.98	0.86	0.83	0.58
	kW*	1.98	1.98	1.96	1.85	1.69	1.95	1.95	1.96	1.84	1.68	1.94	1.93	1.97	1.85	1.69
105	MBh ⁺	26.3	26.4	26.4	28.8	31.9	27.5	27.5	26.9	29.4	32.5	28.5	28.5	27.4	29.9	33.0
	S/T	0.98	0.98	0.81	0.78	0.55	0.98	0.98	0.85	0.82	0.58	0.98	0.98	0.89	0.86	0.60
	kW*	2.34	2.34	2.34	2.23	2.08	2.31	2.31	2.34	2.22	2.07	2.30	2.30	2.35	2.24	2.08
115	MBh ⁺	24.8	24.8	24.4	26.7	29.6	25.8	25.9	24.9	27.2	30.2	26.7	26.8	25.4	27.6	30.6
	S/T	0.98	0.98	0.85	0.81	0.57	0.98	0.98	0.89	0.86	0.59	0.98	0.98	0.93	0.90	0.62
	kW*	2.73	2.72	2.74	2.64	2.50	2.70	2.70	2.75	2.64	2.50	2.70	2.70	2.76	2.66	2.51
125	MBh ⁺	23.1	23.2	22.4	24.5	27.2	24.1	24.1	22.8	24.9	27.7	24.9	24.9	23.2	25.3	28.1
	S/T	0.98	0.98	0.88	0.85	0.59	0.98	0.98	0.93	0.90	0.62	0.98	0.98	0.98	0.95	0.64
	kW*	3.15	3.14	3.18	3.09	2.95	3.13	3.13	3.19	3.09	2.95	3.12	3.12	3.20	3.10	2.97

Notes: When the required data fall between the published data, interpolation may be performed. Extrapolation is not an acceptable practice.

+Total capacities are net capacities. Blower heat has been subtracted.

++ At TVA rating indoor condition (75 F db/ 63 F wb), All other indoor air temperatures are at 80 F db

* System kW is total unit kW

Standard Rating =

S/T are based on 80°F db entering air at the indoor coil. For sensible capacities at other than 80°5 db, deduct 83° Btuh per 1000 cfm of indoor coil air from (MBh x S/T) for each degree below 80°F, or add 835 Btuh per 1000 cfm of indoor coil air from (MBh x S/T) for each degree above 80°F.

EXPANDED PERFORMANCE DATA: COOLING

PGX348

OD Ambient (°F)	ID Airflow (SCFM)	1400					1600					1800				
		Entering Indoor Temperature - Degrees F, Wet Bulb														
		57	62	63 ⁺⁺	67	72	57	62	63 ⁺⁺	67	72	57	62	63 ⁺⁺	67	72
75	MBh ⁺	47.6	49.0	49.8	53.7	58.7	49.9	50.4	51.0	54.9	60.0	51.8	51.9	52.0	56.0	61.1
	S/T	0.98	0.93	0.73	0.71	0.51	0.98	0.98	0.77	0.74	0.53	0.98	0.98	0.80	0.78	0.55
	kW*	3.53	3.55	3.56	3.60	3.67	3.68	3.69	3.70	3.75	3.81	3.83	3.83	3.83	3.88	3.94
85	MBh ⁺	45.8	46.8	47.5	51.3	56.1	48.0	48.2	48.7	52.4	57.3	49.8	49.9	49.6	53.4	58.2
	S/T	0.98	0.95	0.75	0.72	0.52	0.98	0.98	0.78	0.76	0.54	0.98	0.98	0.82	0.80	0.56
	kW*	3.86	3.87	3.88	3.93	4.00	4.02	4.02	4.03	4.08	4.14	4.16	4.16	4.16	4.21	4.28
95	MBh ⁺	44.0	44.5	45.2	48.8	53.4	46.0	46.1	46.2	49.8	54.5	47.7	47.8	47.1	50.7	55.3
	S/T	0.98	0.97	0.76	0.74	0.53	0.98	0.98	0.80	0.78	0.55	0.98	0.98	0.84	0.82	0.57
	kW*	4.22	4.23	4.24	4.30	4.36	4.38	4.38	4.39	4.44	4.51	4.53	4.53	4.52	4.57	4.64
105	MBh ⁺	42.1	42.2	42.7	46.2	50.5	44.0	44.0	43.7	47.1	51.5	45.5	45.6	44.5	47.9	52.3
	S/T	0.98	0.98	0.78	0.76	0.54	0.98	0.98	0.83	0.80	0.56	0.98	0.98	0.87	0.84	0.58
	kW*	4.62	4.63	4.64	4.69	4.76	4.78	4.78	4.78	4.84	4.90	4.93	4.93	4.91	4.97	5.03
115	MBh ⁺	40.0	40.1	40.2	43.4	47.5	41.7	41.8	41.0	44.2	48.3	43.2	43.2	41.7	44.9	49.0
	S/T	0.98	0.98	0.81	0.78	0.55	0.98	0.98	0.85	0.83	0.57	0.98	0.98	0.90	0.87	0.60
	kW*	5.06	5.06	5.06	5.12	5.19	5.22	5.22	5.21	5.26	5.33	5.36	5.36	5.34	5.39	5.46
125	MBh ⁺	37.8	37.8	37.4	40.3	44.1	39.3	39.4	38.1	41.0	44.8	40.6	40.6	38.7	41.7	45.3
	S/T	0.98	0.98	0.83	0.81	0.56	0.98	0.98	0.88	0.86	0.59	0.98	0.98	0.93	0.91	0.62
	kW*	5.54	5.54	5.53	5.58	5.65	5.69	5.69	5.67	5.73	5.79	5.83	5.84	5.80	5.86	5.92

PGX348 (Low Capacity)

OD Ambient (°F)	ID Airflow (SCFM)	950					1100					1250				
		Entering Indoor Temperature - Degrees F, Wet Bulb														
		57	62	63 ⁺⁺	67	72	57	62	63 ⁺⁺	67	72	57	62	63 ⁺⁺	67	72
75	MBh ⁺	33.7	35.0	35.6	38.6	42.6	35.7	36.2	36.7	39.8	43.8	37.3	37.4	37.6	40.7	44.8
	S/T	0.98	0.92	0.73	0.70	0.51	0.98	0.97	0.76	0.73	0.53	0.98	0.98	0.80	0.77	0.55
	kW*	2.03	2.00	1.99	1.92	1.82	2.01	2.00	1.99	1.91	1.81	2.03	2.03	2.03	1.95	1.85
85	MBh ⁺	32.4	33.2	33.9	36.8	40.6	34.2	34.4	34.9	37.8	41.7	35.8	35.8	35.7	38.7	42.6
	S/T	0.98	0.94	0.74	0.71	0.52	0.98	0.99	0.78	0.75	0.54	0.98	0.98	0.82	0.79	0.56
	kW*	2.33	2.31	2.29	2.22	2.13	2.31	2.31	2.29	2.22	2.13	2.33	2.33	2.33	2.26	2.16
95	MBh ⁺	31.0	31.5	32.1	34.8	38.5	32.7	32.8	33.0	35.8	39.6	34.2	34.3	33.7	36.6	40.3
	S/T	0.98	0.97	0.76	0.73	0.53	0.98	0.98	0.80	0.77	0.55	0.98	0.98	0.84	0.81	0.57
	kW*	2.65	2.64	2.63	2.56	2.47	2.64	2.64	2.63	2.57	2.47	2.66	2.66	2.68	2.61	2.51
105	MBh ⁺	29.6	29.7	30.2	32.9	36.4	31.2	31.3	31.1	33.8	37.3	32.6	32.6	31.7	34.5	38.0
	S/T	0.98	0.99	0.78	0.75	0.53	0.98	0.98	0.82	0.80	0.56	0.98	0.98	0.87	0.84	0.58
	kW*	3.01	3.01	3.00	2.94	2.85	3.00	3.00	3.00	2.94	2.85	3.03	3.03	3.05	2.99	2.89
115	MBh ⁺	28.1	28.1	28.3	30.8	34.2	29.6	29.7	29.1	31.6	35.0	30.9	30.9	29.7	32.3	35.6
	S/T	0.98	0.98	0.80	0.77	0.55	0.98	0.98	0.85	0.82	0.57	0.98	0.98	0.90	0.87	0.60
	kW*	3.41	3.41	3.41	3.35	3.27	3.40	3.40	3.42	3.36	3.27	3.43	3.43	3.46	3.40	3.32
125	MBh ⁺	26.5	26.6	26.3	28.7	31.8	27.9	27.9	27.0	29.4	32.5	29.0	29.1	27.5	30.0	33.1
	S/T	0.98	0.98	0.83	0.80	0.56	0.98	0.98	0.89	0.86	0.59	0.98	0.98	0.94	0.91	0.62
	kW*	3.85	3.85	3.86	3.81	3.73	3.85	3.85	3.87	3.82	3.73	3.88	3.88	3.92	3.86	3.78

Notes: When the required data fall between the published data, interpolation may be performed. Extrapolation is not an acceptable practice.

+Total capacities are net capacities. Blower heat has been subtracted.

++ At TVA rating indoor condition (75 F db/ 63 F wb), All other indoor air temperatures are at 80 F db

* System kW is total unit kW

Standard Rating =

S/T are based on 80°F db entering air at the indoor coil. For sensible capacities at other than 80°5 db, deduct 83° Btuh per 1000 cfm of indoor coil air from (MBh x S/T) for each degree below 80°F, or add 835 Btuh per 1000 cfm of indoor coil air from (MBh x S/T) for each degree above 80°F.

EXPANDED PERFORMANCE DATA: COOLING

PGX360

OD Ambient (°F)	ID Airflow (SCFM)	1750					2000					2250				
		Entering Indoor Temperature - Degrees F, Wet Bulb														
		57	62	63 ⁺⁺	67	72	57	62	63 ⁺⁺	67	72	57	62	63 ⁺⁺	67	72
75	MBh ⁺	60.5	62.0	63.0	67.2	72.8	63.2	63.6	64.4	68.6	74.1	65.4	65.5	65.5	69.7	75.2
	S/T	0.98	0.93	0.73	0.71	0.51	0.98	0.99	0.77	0.75	0.53	0.98	0.98	0.81	0.79	0.56
	kW*	4.77	4.79	4.81	4.89	5.01	5.08	5.08	5.10	5.18	5.30	5.26	5.26	5.26	5.34	5.46
85	MBh ⁺	58.2	59.1	60.0	64.0	69.2	60.6	60.7	61.2	65.3	70.5	62.7	62.8	62.3	66.3	71.4
	S/T	0.98	0.96	0.75	0.73	0.52	0.98	0.98	0.79	0.77	0.54	0.98	0.98	0.83	0.81	0.57
	kW*	5.22	5.23	5.25	5.34	5.45	5.53	5.53	5.54	5.62	5.73	5.71	5.71	5.70	5.78	5.90
95	MBh ⁺	55.6	56.0	56.8	60.6	65.6	57.9	58.0	57.9	61.7	66.6	59.8	59.9	58.8	62.6	67.5
	S/T	0.98	0.98	0.77	0.74	0.53	0.98	0.98	0.81	0.79	0.55	0.98	0.98	0.85	0.83	0.58
	kW*	5.71	5.71	5.73	5.81	5.92	6.01	6.02	6.01	6.10	6.21	6.20	6.20	6.17	6.26	6.37
105	MBh ⁺	52.9	52.9	53.4	57.0	61.6	55.0	55.0	54.4	58.0	62.5	56.7	56.7	55.3	58.8	63.3
	S/T	0.98	0.98	0.79	0.77	0.54	0.98	0.98	0.83	0.81	0.57	0.98	0.98	0.88	0.86	0.60
	kW*	6.23	6.23	6.24	6.33	6.43	6.54	6.54	6.53	6.61	6.72	6.72	6.72	6.69	6.77	6.88
115	MBh ⁺	49.8	49.9	49.7	53.0	57.2	51.7	51.7	50.6	53.9	58.0	53.2	53.3	51.3	54.6	58.6
	S/T	0.98	0.98	0.81	0.79	0.55	0.98	0.98	0.87	0.85	0.59	0.98	0.98	0.92	0.90	0.62
	kW*	6.80	6.79	6.79	6.87	6.97	7.10	7.10	7.07	7.15	7.25	7.28	7.28	7.23	7.31	7.41
125	MBh ⁺	46.3	46.4	45.6	48.5	52.3	47.9	48.0	46.3	49.3	52.9	49.2	49.3	47.0	49.9	53.5
	S/T	0.98	0.98	0.85	0.83	0.57	0.98	0.98	0.91	0.89	0.61	0.98	0.98	0.96	0.95	0.64
	kW*	7.39	7.39	7.37	7.44	7.54	7.69	7.69	7.65	7.72	7.81	7.86	7.86	7.80	7.88	7.97

PGX360 (Low Capacity)

OD Ambient (°F)	ID Airflow (SCFM)	1125					1300					1475				
		Entering Indoor Temperature - Degrees F, Wet Bulb														
		57	62	63 ⁺⁺	67	72	57	62	63 ⁺⁺	67	72	57	62	63 ⁺⁺	67	72
75	MBh ⁺	42.6	44.2	45.0	48.2	52.4	44.8	45.5	46.3	49.5	53.7	46.7	46.8	47.2	50.5	54.6
	S/T	0.98	0.91	0.72	0.70	0.51	0.98	0.96	0.76	0.73	0.53	0.98	0.98	0.79	0.77	0.55
	kW*	2.85	2.83	2.82	2.78	2.74	2.87	2.86	2.86	2.82	2.78	2.90	2.90	2.90	2.86	2.81
85	MBh ⁺	41.0	42.2	43.0	46.0	50.0	43.1	43.4	44.1	47.2	51.1	44.9	44.9	45.0	48.0	52.0
	S/T	0.98	0.93	0.74	0.71	0.52	0.98	0.98	0.77	0.75	0.54	0.98	0.98	0.81	0.79	0.56
	kW*	3.24	3.23	3.22	3.18	3.14	3.26	3.26	3.25	3.22	3.17	3.30	3.30	3.30	3.26	3.21
95	MBh ⁺	39.4	40.1	40.8	43.7	47.4	41.3	41.4	41.8	44.7	48.4	42.9	43.0	42.6	45.5	49.2
	S/T	0.98	0.95	0.75	0.73	0.53	0.98	0.98	0.79	0.77	0.55	0.98	0.98	0.83	0.81	0.57
	kW*	3.67	3.66	3.65	3.62	3.57	3.70	3.70	3.69	3.65	3.61	3.73	3.73	3.73	3.69	3.65
105	MBh ⁺	37.6	37.9	38.5	41.2	44.7	39.3	39.4	39.4	42.1	45.6	40.8	40.9	40.1	42.8	46.3
	S/T	0.98	0.98	0.77	0.75	0.54	0.98	0.98	0.81	0.79	0.56	0.98	0.98	0.86	0.84	0.59
	kW*	4.14	4.14	4.13	4.09	4.04	4.17	4.17	4.17	4.13	4.08	4.20	4.20	4.21	4.17	4.12
115	MBh ⁺	35.6	35.6	36.0	38.5	41.8	37.2	37.2	36.8	39.3	42.6	38.5	38.6	37.4	40.0	43.2
	S/T	0.98	0.98	0.79	0.77	0.55	0.98	0.98	0.84	0.82	0.58	0.98	0.98	0.89	0.87	0.61
	kW*	4.65	4.65	4.64	4.61	4.55	4.68	4.68	4.68	4.64	4.59	4.71	4.71	4.72	4.68	4.63
125	MBh ⁺	33.3	33.4	33.3	35.6	38.6	34.8	34.8	33.9	36.3	39.2	35.9	36.0	34.5	36.8	39.7
	S/T	0.98	0.98	0.82	0.80	0.56	0.98	0.98	0.88	0.86	0.60	0.98	0.98	0.93	0.91	0.63
	kW*	5.20	5.19	5.20	5.16	5.10	5.22	5.22	5.24	5.19	5.13	5.25	5.25	5.28	5.23	5.17

Notes: When the required data fall between the published data, interpolation may be performed. Extrapolation is not an acceptable practice.

+Total capacities are net capacities. Blower heat has been subtracted.

++ At TVA rating indoor condition (75 F db/ 63 F wb), All other indoor air temperatures are at 80 F db

* System kW is total unit kW

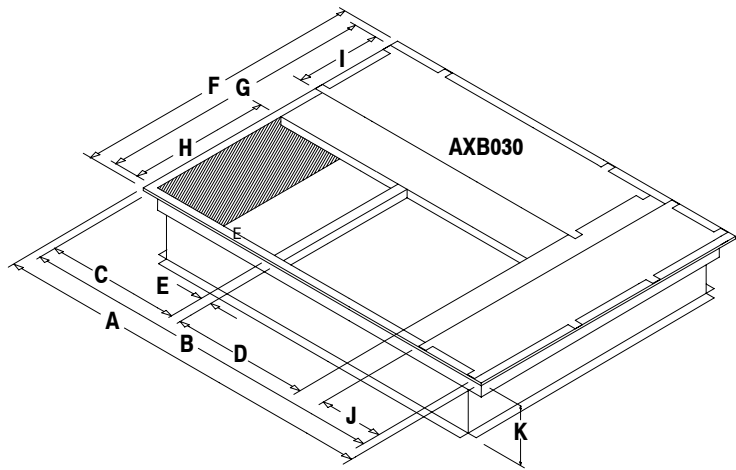
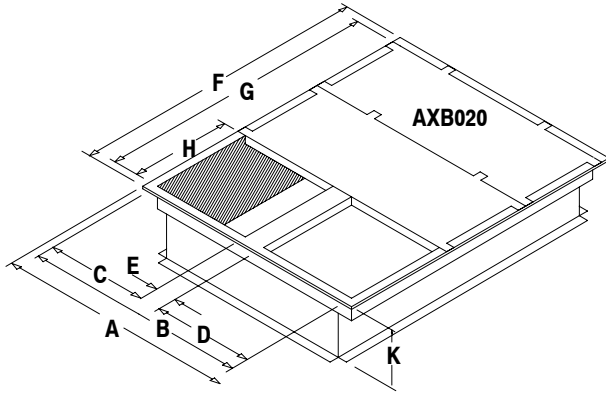
Standard Rating =

S/T are based on 80°F db entering air at the indoor coil. For sensible capacities at other than 80°5 db, deduct 83° Btuh per 1000 cfm of indoor coil air from (MBh x S/T) for each degree below 80°F, or add 835 Btuh per 1000 cfm of indoor coil air from (MBh x S/T) for each degree above 80°F.

ACCESSORIES

ROOF CURBS

Model Number	Height (K)	Use With Model Size
AXB020CLA	8"	36
AXB020CMA	14"	
AXB020CHA	24"	
AXB030CLA	8"	42, 48, 60
AXB030CMA	14"	
AXB030CHA	24"	



ROOF CURB DIMENSIONS (inches)

Model Number	A	B	C	D	E	F	G	H	I	J	K (LA)	K (MA)	K (HA)
AXB020(L,M,H)A	42-3/4	39-3/4	18	18	3-3/4	42-3/4	39-3/4	18	-	-	8	14	24
AXB030(L,M,H)A	67-3/4	64-3/4	23	23	2-1/2	42-3/4	39-3/4	23	12	12	8	14	24

SQUARE to ROUND TRANSITION

Model Number	Round Size	Use With Roof Curb	Use With Model Size
AXB020CTA	16"	AXB020CLA, AXB020CMA, AXB020CHA	36
AXB030CTA	18"	AXB030CLA, AXB030CMA, AXB030CHA	42, 48, 60

CONCENTRIC GRILLE - FLUSH MOUNT

Model Number	Use With Roof Curb	Use With Model Size
AXB020CFA	AXB020CLA, AXB020CMA, AXB020CHA	36
AXB030CFA	AXB030CLA, AXB030CMA, AXB030CHA	42, 48, 60

CONCENTRIC GRILLE - STEP DOWN

Model Number	Use With Roof Curb	Use With Model Size
AXB020CSA	AXB020CLA, AXB020CMA, AXB020CHA	36
AXB030CSA	AXB030CLA, AXB030CMA, AXB030CHA	42, 48, 60

ACCESSORIES

ECONOMIZERS (ALL FULLY MODULATING)*

Part Number	Application	Motion	Control	Use With Model Size
AXB020HED	Horizontal	Fully Modulating w/ Return Air Damper w/ Relief Damper	Enthalpy	36
AXB030HED				42, 48, 60
AXB020EMD	Downflow			36
AXB030EMD				42, 48, 60
AXB020HPE	Horizontal	Fully Modulating w/ Return Air Damper w/ Relief Damper	Dry Bulb Only	36
AXB030HPE				42, 48, 60
AXB020EPE	Downflow			36
AXB030EPE				42, 48, 60

* Three position economizers no longer available.

0% - 25% FRESH AIR DAMPERS (use in DOWNFLOW application only) *

Model Number	Control	Use With Model Size
AXB020FAC	Manual	36
AXB030FAC		42, 48, 60
AXB020FMC	Motorized	36
AXB030FMC		42, 48, 60

* Unit must have internal filters to protect evaporator coil when Fresh Air Damper is installed.

FILTER RACK and FILTER *

Model Number	Application	Filter Location	Filter Size	Use With Model Size
AXB020FKA	Downflow	Internal	18 x 25 x 1	36
AXB020FHC	Horizontal	External	20 x 25 x 1	

* Model size 36 shipped WITHOUT Filter Racks or Filters.

Model sizes 42, 48, and 60 shipped WITH Internal Filter Racks with (2) - 20 x 30 x 2 filters.

LOW AMBIENT CONTROL

FAST Part Number	Description	Use With Model Size
1148232	Freeze 'stat, opens 30°F, closes 50°F	ALL

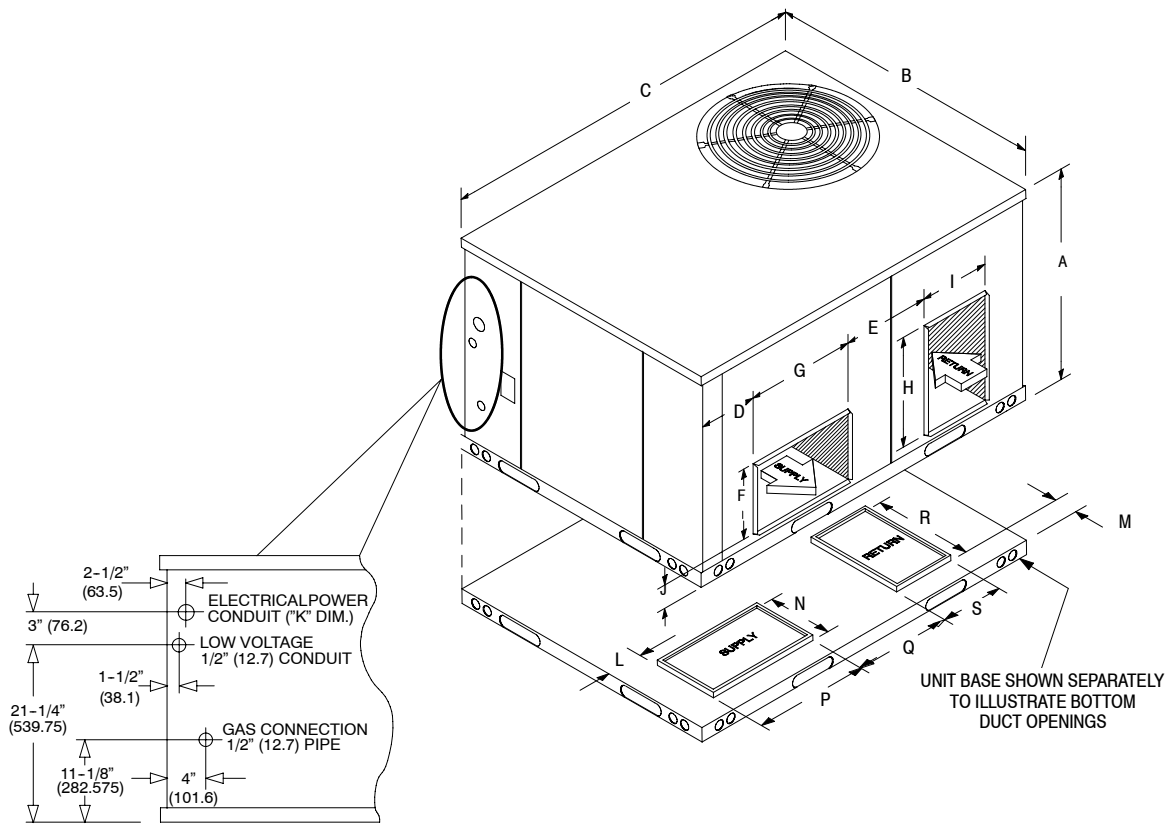
COIL PROTECTION

FAST Part Number	Description	Use With Model Size
1149485	Coil Guard, black, two-piece	36
1068133	Hail Guard, black, two-piece	36
1149486	Coil Guard, black, three-piece	42, 48, 60
1068134	Hail Guard, black, three-piece	42, 48, 60

GAS CONVERSION KITS

FAST Part Number	Description	Heat Input (BTUH)	Elevation above Sea Level
1173857	Natural Gas to LP Gas	40,000 - 140,000	0' - 4,000'
1173859			4,001' - 9,000'
1173861			9,001' - 10,000'
1173863	LP Gas to Natural Gas		0' - 10,000'

UNIT DIMENSIONS



ALL DIMENSIONS IN INCHES

Model Size	A	B	C	D	E	F	G	H	I	J	K	L	M	N**	P**	Q	R	S	Bottom L x W * Inside Base Rail
3 Ton	32-1/2	47-3/8	47-3/8	3-1/8	11-1/8	12	14-1/4	14-1/4	12	4	*	4-1/4	4-3/8	14-1/2	12-1/4	12-1/8	14-1/4	12-1/4	43-1/8 x 43-1/8
3 1/2, 4, 5 Ton	36	47-3/8	73	4-5/8	15	12	18-3/4	18-3/4	12	4	*	4-1/4	5-1/4	12-1/4	19	15	19	12-1/4	68-3/4 x 43-1/8

** The supply opening in the drawing is shown for the orientation in the 3-1/2 to 5 Ton units. The opening for the 2 to 3 Ton units is rotated 90°, so the N and P dimensions are correct.

MODEL NUMBER IDENTIFICATION GUIDE

Product Family	SEER	Nominal Cooling Capacity Btuh	Heating Input Btuh	Voltage	Option Code	Design Code	Eng. Rev. Code
PGX - Package Gas/Electric R-410A	3 = 13	36 = 36,000 42 = 42,000 48 = 48,000 60 = 60,000	000 = N/A 060 = 60,000 080 = 80,000 100 = 100,000 120 = 120,000 140 = 140,000	H = 208/230-3-60 L = 460-3-60	00 = Nat	A	1
Example: PGX	3	36	060	H	00	A	1

GUIDE SPECIFICATIONS

CABINET

The cabinet is made of G-90 galvanized steel, phosphate coated with a tough acrylic finish coat for long lasting weatherproof construction. The base rails are 18 gauge steel with fork lift slots and holes provided for lifting shackles. The unit is designed with convertible airflow for either horizontal or downflow applications with conversion accomplished by re-locating two panels. Indoor blower compartment interior cabinet surfaces are insulated with a minimum 3/4" thick, flexible glass insulation, coated on the air side. Aluminum foil faced glass fiber insulation is used in the furnace compartment.

COOLING SECTION

The unit is factory charged and operationally ready upon delivery. The unit refrigerant circuit has a high efficiency scroll compressor with internal overload protection, and copper tube / aluminum fin evaporator and condenser coils. The unit is designed for cooling operation to 40° F and will be capable of being wired for field installed economizer type accessories.

COILS

The evaporator and condenser coils are fabricated with aluminum fins mechanically bonded to copper tubing. Both coils are pressure tested prior to assembly into the unit and electronically leak tested after assembly into the unit.

CONDENSER FAN

The unit has a single direct-drive propeller-fan / motor assembly. The assembly is mounted directly to a vertical-discharge grille that is easily removed for service. Motors are 1100 RPM with sleeve or ball bearings and internal overload protection.

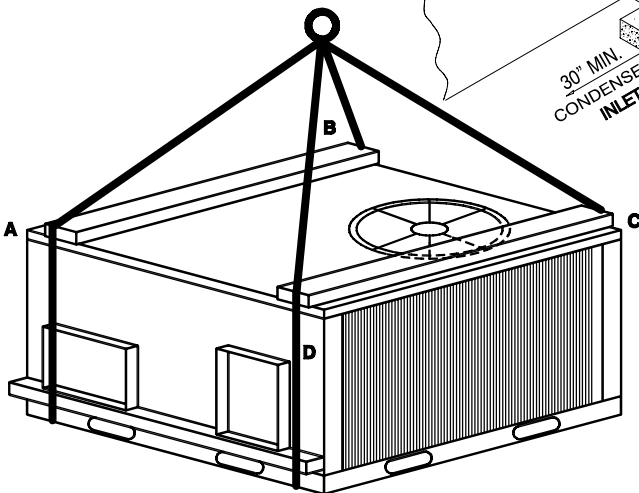
EVAPORATOR BLOWER

All units have a direct-drive high efficiency brushless DC evaporator blower motor as a standard. The direct-drive evaporator blower motor has sleeve bearings and internal overload protection.

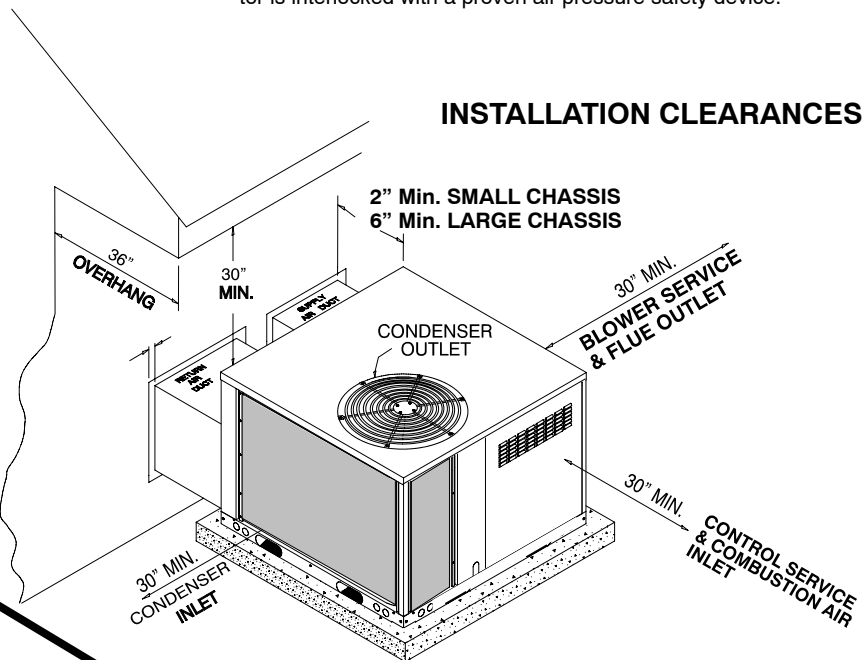
HEATING SECTION

The gas-fired heating section features an induced draft blower for combustion air. The unit has a tubular stainless steel heat exchanger located on the discharge air side of the blower. The system uses in-shot burners ignited by a direct spark ignition system, protected by both a high heat limit switch and flame roll-out switch. The induced draft blower motor is interlocked with a proven air pressure safety device.

RIGGING DETAILS



INSTALLATION CLEARANCES



CORNER WEIGHTS (LBS)

Model	A	B	C	D	OPERATING WEIGHT TOTAL
PGX336060					434
PGX336080					446
PGX336100					438
PGX342080					606
PGX342100					608
PGX348080					610
PGX348120					612
PGX348140					613
PGX360080					622
PGX360120					624
PGX360140					625