

EFFICIENT 13 SEER 3-PHASE HEAT PUMP ENVIRONMENTALLY SOUND R-410A REFRIGERANT 2-1/2 THRU 5 TONS SPLIT SYSTEM 208 / 230 Volt, 3-phase, 60 Hz 460 Volt, 3-phase, 60 Hz

REFRIGERATION CIRCUIT

- Copeland Scroll™ compressors on all models
- Crankcase Heaters factory installed on all models
- Suction line accumulator factory installed
- Bi-flow filter-drier included for field installation
- Integrated solid state control with Time-Temperature Defrost
- High and Low pressure switches
- Copper tube / aluminum fin coil

PERFORMANCE

- Compressor Sound Jacket standard

EASY TO INSTALL AND SERVICE

- Comfort Alert™ Diagnostics device on all models
- Easy Access service valves on all models
- Innovative control box design
- External high and low refrigerant service ports
- Fan motor in-line disconnect plug
- Only two screws to access control panel
- Factory charged with R-410A refrigerant

BUILT TO LAST

- High gloss, baked-on powder coat finish over galvanized steel
- Post-painted (black) coil fins
- Coated, weather-resistant cabinet screws
- Coated inlet grille with 3/8" (10mm) spacing for extra protection (hail guard)
- Corner Posts for extra strength and style

WARRANTY

- 5 year compressor limited warranty
- 1 year parts limited warranty

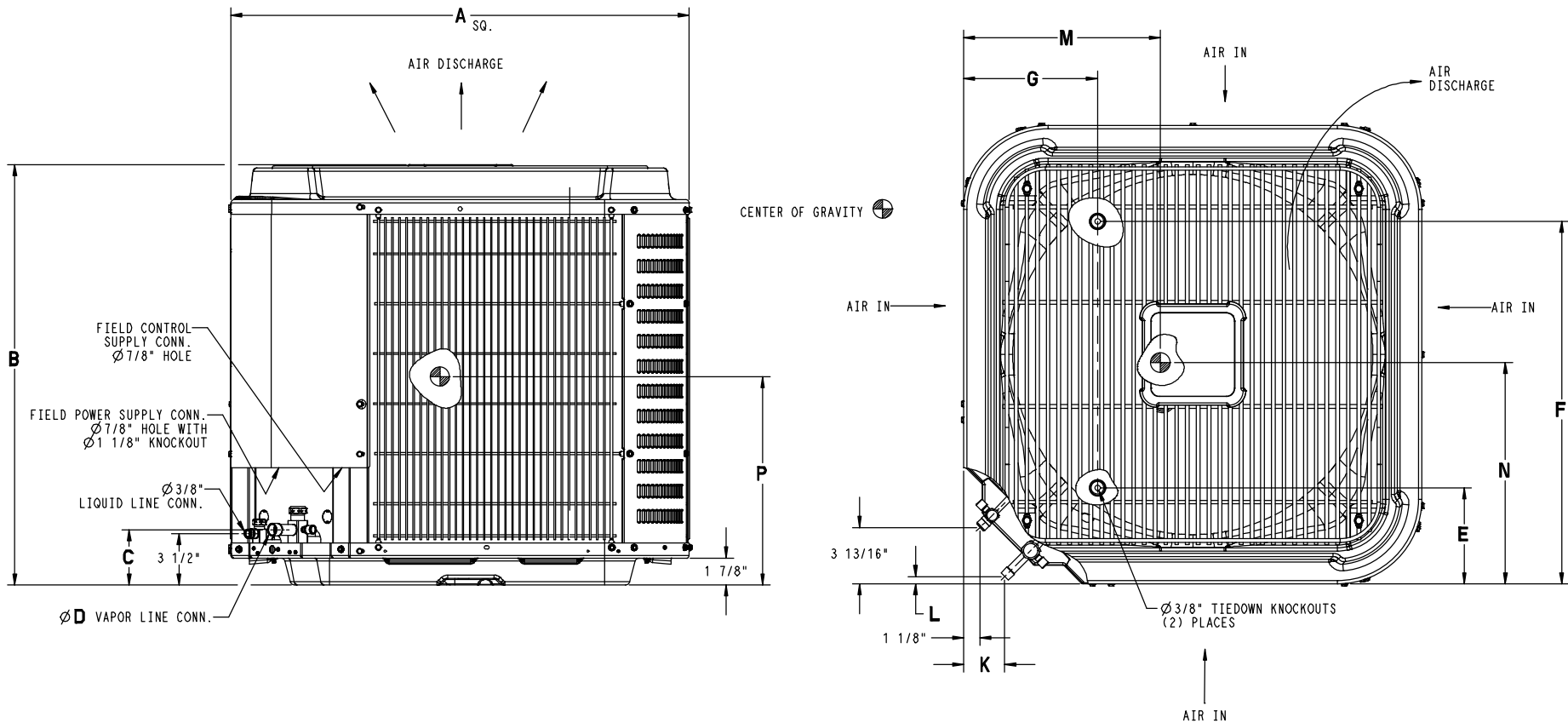


Use of the AHRI Certified TM Mark indicates a manufacturer's participation in the program. For verification of certification for individual products, go to www.ahridirectory.org.

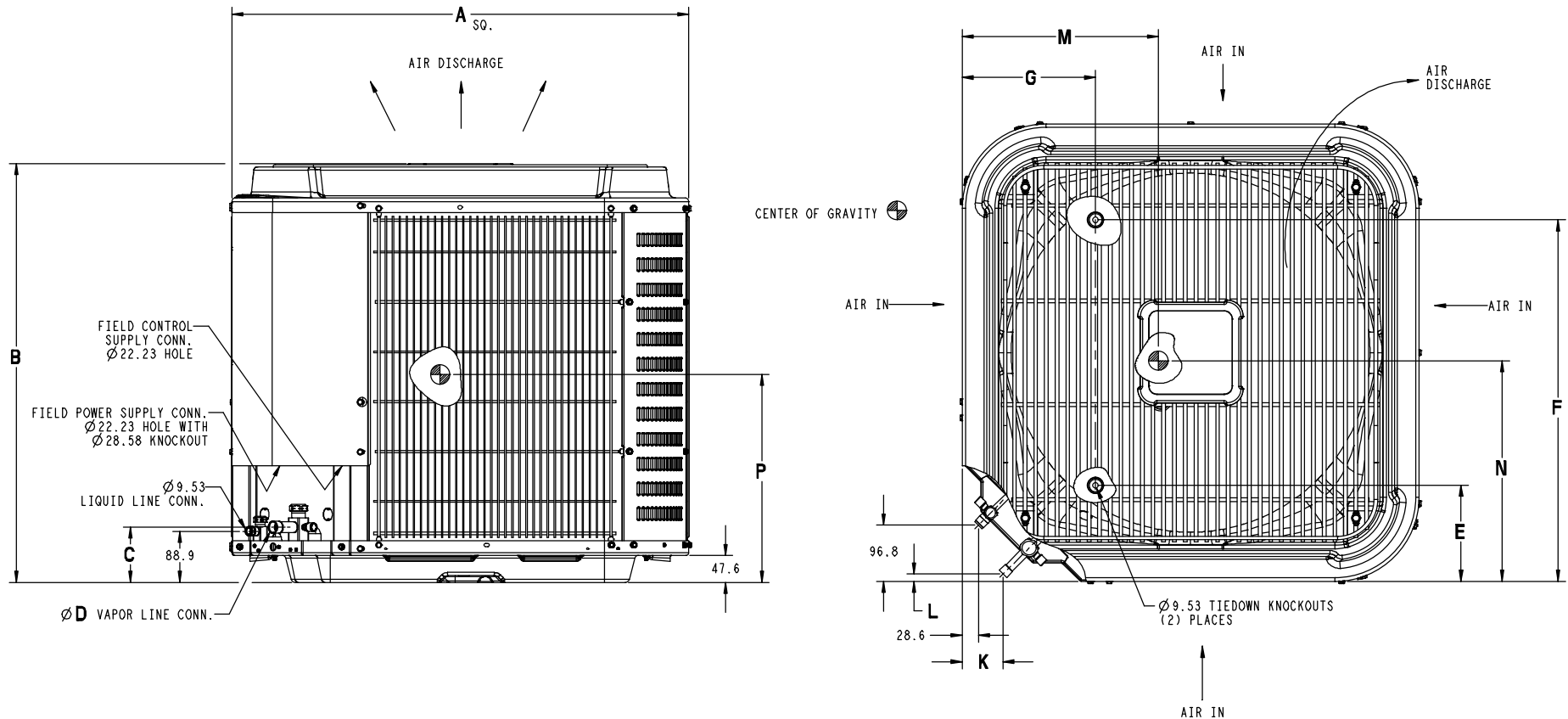
Model Number	Voltage	Size (tons)	Nominal Btu/hr	Min. Circuit Ampacity	Max. Fuse or Breaker	Operating Dimensions height x width x depth in. (mm)	Ship / Operating Weight lbs. (kg)
H4H330GHE	208/230	2-1/2	30,000	13.6	20	28-9/16 x 31-3/16 x 31-3/16 (726 x 793 x 793)	180 / 146 (82 / 66)
H4H336GHE	208/230	3	36,000	14.1	20	32 x 31-3/16 x 31-3/16 (813 x 793 x 793)	178 / 152 (81 / 69)
H4H336GLE	460			7.9	10		
H4H342GHE	208/230	3-1/2	42,000	17.8	30	28-9/16 x 31-3/16 x 31-3/16 (726 x 793 x 793)	229 / 193 (104 / 88)
H4H348GHE	208/230	4	48,000	18.5	30	35-3/8 x 31-3/16 x 31-3/16 (899 x 793 x 793)	251 / 216 (114 / 98)
H4H348GLE	460			9.0	10		
H4H360GHD	208/230	5	60,000	21.1	30	29-7/8 x 35 x 35 (760 x 889 x 889)	293 / 252 (133 / 114)
H4H360GLD	460			10.3	15		

OUTDOOR UNIT MODEL NUMBER IDENTIFICATION GUIDE (3-phase)											
Digit Position:	1	2	3	4	5, 6	7	8	9	10	11	12
Example Part Number:	H	4	H	3	36	G	H	D	1	0	0
Product Family	REFRIGERANT		TYPE								
4 = R-410A											
A = Air Conditioner											
H = Heat Pump											
3 = 13 SEER											
4 = 14 SEER	NOMINAL EFFICIENCY										
30 = 30,000 BTUH = 2-1/2 tons											
36 = 36,000 BTUH = 3 tons											
42 = 42,000 BTUH = 3-1/2 tons											
48 = 48,000 BTUH = 4 tons											
60 = 60,000 BTUH = 5 tons			NOMINAL CAPACITY								
A = Standard Grille											
G = Coil Guard Grille			FEATURES								
H = 208/230-3-60											
L = 460-3-60			VOLTAGE								
Sales Code											
Engineering Revision											
Extra Digit											
Extra Digit											

ACCESSORIES PART NUMBER IDENTIFICATION GUIDE									
Digit Position:	1	2	3	4	5	6, 7	8, 9	10, 11	
Example Part Number:	N	A	S	A	0	01	01	CH	
N = Non-Branded	BRANDING								
A = Accessory	PRODUCT GROUP								
S = Split System (AC & HP)	KIT USAGE								
A = Original									
B = 2nd Generation			MAJOR SERIES						
0 = Generic or Not Applicable									
2 = R-22									
4 = R-410A			REFRIGERANT						
Product Identifier Number									
Package Quantity									
Type of Kit (Example: CH = Crankcase Heater)									



Model * = H or L	Dimensions Inches (English)												Minimum Mounting Pad Size	Crated Dimensions h x w x d
	A	B	C	D	E	F	G	K	L	M	N	P		
H4H330GHE	31-3/16	28-9/16	3-3/4	3/4	6-9/16	24-11/16	9-1/8	2-13/16	1/2	15-1/2	14-3/4	12-1/2	31-1/2 x 31-1/2	35-15/16 x 35-1/2 x 32-5/16
H4H336G* E	31-3/16	32	3-3/4	3/4	6-9/16	24-11/16	9-1/8	2-13/16	1/2	15	15-1/2	14	31-1/2 x 31-1/2	39-3/8 x 35-1/2 x 32-5/16
H4H342GHE	31-3/16	28-9/16	3-7/8	7/8	6-9/16	24-11/16	9-1/8	2-15/16	5/8	15-1/2	15-3/4	12-1/2	31-1/2 x 31-1/2	35-15/16 x 35-1/2 x 32-5/16
H4H348G* E	31-3/16	35-3/8	3-7/8	7/8	6-9/16	24-11/16	9-1/8	2-15/16	5/8	15-3/4	16-1/4	15	31-1/2 x 31-1/2	42-3/4 x 35-1/2 x 32-5/16
H4H360G* D	35	29-7/8	3-7/8	7/8	6-9/16	28-7/8	9-1/8	2-15/16	5/8	16	16	14	35 x 35	35-15/16 x 39-1/4 x 36-1/8



Specifications subject to change without notice.

Model * = H or L	Dimensions mm (SI Metric)												Minimum Mounting Pad Size	Crated Dimensions h x w x d
	A	B	C	D	E	F	G	K	L	M	N	P		
H4H330GHE	792	726	95	19	167	626	232	71	13	394	375	318	800 x 800	913 x 902 x 821
H4H336G* E	792	813	95	19	167	626	232	71	13	381	394	356	800 x 800	1000 x 902 x 821
H4H342GHE	792	726	98	22	167	626	232	75	16	394	400	318	800 x 800	913 x 902 x 821
H4H348G* E	792	899	98	22	167	626	232	75	16	400	413	381	800 x 800	1086 x 902 x 821
H4H360G* D	889	760	98	22	167	722	232	75	16	406	406	356	889 x 889	913 x 997 x 918

PHYSICAL DATA						
Model Size	30GHE	36GHE/GLE	42GHE	48GHE/GLE	60GHD/GLD	
Nominal Cooling Capacity (BTU/hr)	30,000	36,000	42,000	48,000	60,000	
Nominal SEER	13.0	13.0	13.0	13.0	13.0	
Sound Rating (dBA)**	72	72	75	73	72	
Piston Size – Outdoor Heating (shipped in liquid service valve)	55	57	65	65	—	
Piston Size – Indoor Cooling (shipped loose with heat pump)	67	70	76	80	—	
PSC Fan Motor HP	1/5	1/5	1/10	1/4	1/4	
Fan RPM	825	825	815	820	802	
Fan CFM	3350	3350	2600	3520	4000	
Coil Face Area ft ² (m ²)	15.14 (1.41)	17.25 (1.60)	15.14 (1.41)	19.40 (1.80)	17.60 (1.64)	
Coil Rows – fins per inch	1–20	1–20	2–20	2–20	2–20	
Low Pressure Switch	Open Pressure (psig) Close Pressure (psig)	23 ± 5 55 ± 5	23 ± 5 55 ± 5	23 ± 5 55 ± 5	23 ± 5 55 ± 5	
High Pressure Switch	Open Pressure (psig) Close Pressure (psig)	670 ± 10 470 ± 25	670 ± 10 470 ± 25	670 ± 10 470 ± 25	670 ± 10 470 ± 25	
Liquid Line Connection Size in. (mm)	3/8 (10)	3/8 (10)	3/8 (10)	3/8 (10)	3/8 (10)	
Vapor Line Connection Size in. (mm)	3/4 (19)	3/4 (19)	7/8 (22)	7/8 (22)	7/8 (22)	
Recommended Line Set Liquid Tube Diameter in. (mm)	3/8 (10)	3/8 (10)	3/8 (10)	3/8 (10)	3/8 (10)	
Recommended Line Set Vapor Tube Diameter in. (mm)*	3/4 (19)*	3/4 (19)*	7/8 (22)*	7/8 (22)*	1–1/8 (29)*	
*Recommended Vapor Tube Line size is for standard installations. These recommendations may not apply to “Long Line” installations. When the total equivalent line length exceeds 80 feet (24.4m) or there is more than 20 feet (6.1m) vertical separation between indoor and outdoor units, consult the Long Line Application Guideline document before purchasing/installing line sets.						
Factory Charge R-410A lbs. (kg)	6.40 (2.90)	6.34 (2.88)	8.88 (4.03)	10.41 (4.72)	11.00 (4.99)	
Required Subcooling ° F (° C)	12 (7)	13 (7)	14 (8)	14 (8)	12 (7)	
Weight, shipping lbs. (kg)	180 (82)	178 (81)	229 (104)	251 (114)	293 (133)	
Weight, operating lbs. (kg)	146 (66)	152 (69)	193 (88)	216 (98)	252 (114)	

ELECTRICAL DATA								
Model Size	30GHE	36GHE	36GLE	42GHE	48GHE	48GLE	60GHD	60GLD
Supply Voltage, 3-phase 60 Hz.	208/230	208/230	460	208/230	208/230	460	208/230	460
Acceptable Voltage Range, min-max	197-253	197-253	414-506	197-253	197-253	414-506	197-253	414-506
Minimum Circuit Ampacity – MCA (amps)	13.60	14.10	7.90	17.80	18.50	9.00	21.10	10.30
Maximum OverCurrent Protective device – MOCP (amps)	20	20	10	30	30	10	30	15
Compressor RLA (Rated Load Amps) LRA (Locked Rotor Amps)	10.00 71.0	10.40 73.0	5.80 38.0	13.60 83.1	13.70 83.1	6.20 41.0	15.90 110.0	7.80 52.0
Fan Motor FLA (Full Load Amps)	1.1	1.1	0.6	0.8	1.4	1.2	1.2	0.6

**Sound Rating tested in accordance with ARI Standard 270-95 (not listed with AHRI).

R-410A COOLING CAPACITY LOSS FOR VARIOUS LINE LENGTHS & TUBE DIAMETERS

Model Size	Liquid Line in.(mm)	Acceptable Vapor Line Sizes in. (mm)	Cooling Capacity Loss (%) at Total Equivalent Line Length, feet (m) Refer to Long Line Application Guideline to calculate equivalent length										
			Standard Application			Long Line Application (Requires Accessories)							
			25' (7.6)	50' (15.2)	80' (24.4)	81' (24.7)	100' (30.5)	125' (38.1)	150' (45.7)	175' (53.3)	200' (61)	225' (68.6)	250' (76.2)
30	3/8 (10)	5/8 (16)	1	2	3	3	3	4	5	6	7	8	9
		3/4 (19)	0	0	1	1	1	1	2	2	2	3	3
		7/8 (22)	0	0	0	0	0	1	1	1	1	1	1
36		5/8 (16)	1	2	4	4	5	6	7	9	10	11	13
		3/4 (19)	0	0	1	1	1	2	2	3	3	4	4
		7/8 (22)	0	0	0	0	0	1	1	1	1	2	2
42		3/4 (19)	0	1	2	2	2	3	4	4	5	6	6
		7/8 (22)	0	0	1	1	1	1	2	2	2	3	3
48		3/4 (19)	0	1	2	2	3	4	5	5	6	7	8
	7/8 (22)	0	0	1	1	1	2	2	2	3	3	4	
60	3/4 (19)	1	2	4	4	5	6	7	9	10	11	12	
	7/8 (22)	0	1	2	2	2	3	4	4	5	5	6	
	1-1/8 (29)	0	0	0	0	1	1	1	1	1	1	2	

* Applications are considered "Long Line" if the total equivalent tubing length exceeds 80 feet (24.4m) or there is more than 20 foot (6.1m) vertical separation between indoor and outdoor units. These applications require additional accessories and system modifications for reliable system operation.

Applications in shaded area may have height restrictions that limit allowable total equivalent length when outdoor unit is below indoor unit.

COOLING & HEATING PERFORMANCE FOR COMBINATION RATINGS Indoor Models

For complete ratings information, use the AHRI website directory search: www.AHRIdirectory.org. New ratings may be listed online before Specification Sheets are updated.

Outdoor Model	Indoor Model (‡ tested combo)	Furnace Model	Factory Installed	Cool 95° F (35° C)			SEER			Heat 47° F (8.3° C)		Heat 17° F (-8.3° C)		HSPF	
				BTU/hr	S / T	EER	factory	with field TDR	with field TXV	BTU/hr	COP	BTU/hr	COP		
H4H330GHE	‡FS(M,U)4P30**A*	-	TDR	30,000	0.76	11.00	13.00				30,000	3.52	18,500	2.34	7.7
	ED*4X30B**	*8MV*0701412**	TDR&TXV	30,000	0.76	11.00	13.00				29,200	3.42	18,000	2.32	7.7
	ED*4X30B**	MV08B15**B*	TDR&TXV	30,000	0.76	11.50	13.50				29,000	3.50	18,000	2.36	7.7
	ED*4X30F**	*8MPV075	TDR&TXV	30,000	0.76	11.00	13.20				29,600	3.50	18,300	2.36	7.7
	ED*4X30F**	*8MV*0901716**	TDR&TXV	30,000	0.76	11.50	13.50				29,200	3.44	17,900	2.34	7.7
	ED*4X30F**	*8MX*0701716**	TDR&TXV	30,000	0.76	11.00	13.20				29,200	3.46	18,200	2.34	7.7
	ED*4X30F**	*9MPV050	TDR&TXV	30,000	0.76	11.00	13.00				29,600	3.42	18,300	2.30	7.7
	ED*4X30F**	*9MPV075	TDR&TXV	30,000	0.76	11.00	13.00				29,600	3.44	18,300	2.32	7.7
	ED*4X30F**	*9MVX040	TDR&TXV	30,000	0.76	11.00	13.00				29,600	3.42	18,300	2.30	7.7
	ED*4X30F**	*9MVX060	TDR&TXV	30,000	0.76	11.00	13.00				29,600	3.46	18,400	2.34	7.7
	ED*4X30F**	MV12F19**B*	TDR&TXV	30,000	0.76	11.50	13.50				29,400	3.52	17,900	2.38	7.7
	ED*4X30F**	OLV098A12A	TDR&TXV	30,000	0.76	11.00	13.00				30,000	3.44	18,100	2.34	7.7
	ED*4X30F**	OLV112A16A	TDR&TXV	30,000	0.76	11.00	13.00				30,000	3.50	18,200	2.36	7.7
	ED*4X30F**	OMV098J12A	TDR&TXV	30,000	0.76	11.00	13.00				30,000	3.44	18,200	2.32	7.7
	ED*4X30F**	OMV112K14A	TDR&TXV	30,000	0.76	11.00	13.00				30,000	3.48	18,000	2.36	7.7
	ED*4X36B**	*8MV*0701412**	TDR&TXV	30,000	0.76	11.00	13.20				29,200	3.44	18,000	2.32	7.7
	ED*4X36B**	MV08B15**B*	TDR&TXV	30,000	0.76	11.50	13.50				29,400	3.52	18,000	2.38	7.7
	ED*4X36F**	*8MPV075	TDR&TXV	30,000	0.76	11.00	13.20				29,400	3.54	18,300	2.36	7.8
	ED*4X36F**	*8MV*0901716**	TDR&TXV	30,000	0.76	11.50	13.50				29,200	3.46	17,900	2.36	7.7
	ED*4X36F**	*8MX*0701716**	TDR&TXV	30,000	0.76	11.00	13.20				29,200	3.48	18,300	2.34	7.7
	ED*4X36F**	*9MPV050	TDR&TXV	30,000	0.76	11.00	13.00				29,400	3.44	18,300	2.32	7.7
	ED*4X36F**	*9MPV075	TDR&TXV	30,000	0.76	11.00	13.00				29,400	3.46	18,400	2.32	7.7
	ED*4X36F**	*9MVX040	TDR&TXV	30,000	0.76	11.00	13.00				29,400	3.44	18,400	2.32	7.7
	ED*4X36F**	*9MVX060	TDR&TXV	30,000	0.76	11.00	13.00				29,400	3.50	18,400	2.34	7.7
	ED*4X36F**	MV12F19**B*	TDR&TXV	30,000	0.76	11.50	13.50				29,400	3.54	17,900	2.40	7.8
	ED*4X36F**	NOMV106D12*	TDR&TXV	29,800	0.76	11.00	13.20				29,000	3.42	17,900	2.32	7.7
	ED*4X36F**	OLV098A12A	TDR&TXV	30,000	0.76	11.00	13.00				30,000	3.46	18,100	2.34	7.7
	ED*4X36F**	OLV112A16A	TDR&TXV	30,000	0.76	11.00	13.00				30,000	3.52	18,200	2.36	7.7
	ED*4X36F**	OMV098J12A	TDR&TXV	30,000	0.76	11.00	13.00				30,000	3.46	18,200	2.34	7.7
	ED*4X36F**	OMV112K14A	TDR&TXV	30,000	0.76	11.00	13.00				30,000	3.52	18,000	2.38	7.7
	ED*4X36J**	*8MPV100	TDR&TXV	30,000	0.76	11.50	13.50				29,400	3.62	18,200	2.42	7.8
	ED*4X36J**	*8MPV125	TDR&TXV	30,000	0.76	11.50	13.50				29,400	3.62	18,200	2.42	7.8
	ED*4X36J**	*8MV*1102120**	TDR&TXV	30,000	0.76	11.50	13.50				29,200	3.50	17,900	2.36	7.7
	ED*4X36J**	*8MX*0902116**	TDR&TXV	30,000	0.76	11.50	13.50				29,200	3.56	18,200	2.38	7.8
	ED*4X36J**	*9MPV100	TDR&TXV	30,000	0.76	11.50	13.50				29,400	3.58	18,300	2.40	7.8
	ED*4X36J**	*9MVX080	TDR&TXV	30,000	0.76	11.50	13.50				29,400	3.60	18,400	2.40	7.8
	ED*4X36J**	OLV112A16A	TDR&TXV	30,000	0.76	11.00	13.00				30,000	3.54	18,100	2.38	7.7
	EHD4X30A**	*8MPV050	TDR&TXV	30,000	0.76	11.00	13.00				29,400	3.44	18,700	2.30	7.7
	EHD4X30A**	*8MPV075	TDR&TXV	30,000	0.76	11.00	13.00				29,400	3.48	18,300	2.34	7.7
	EHD4X30A**	*8MPV100	TDR&TXV	30,000	0.76	11.00	13.20				29,400	3.52	18,100	2.36	7.7
EHD4X30A**	*8MPV125	TDR&TXV	30,000	0.76	11.50	13.50				29,400	3.52	18,100	2.36	7.7	
EHD4X30A**	*8MV*0701412**	TDR&TXV	30,000	0.76	11.00	13.50				29,200	3.44	18,100	2.34	7.7	
EHD4X30A**	*8MV*0901716**	TDR&TXV	30,000	0.76	11.50	13.50				29,200	3.46	18,000	2.34	7.7	

2010 ENERGY STAR compliance for combinations with all three: SEER 14.00 or higher and EER 11.00 or higher and HSPF 8.2 or higher.
 † For coils not listed with a matching furnace or blower, coil rating applies with any indoor blower device.

COOLING & HEATING PERFORMANCE FOR COMBINATION RATINGS (continued) Indoor Models

For complete ratings information, use the AHRI website directory search: www.AHRIdirectory.org. New ratings may be listed online before Specification Sheets are updated.

Outdoor Model	Indoor Model (‡ tested combo)	Furnace Model	Factory Installed	Cool 95° F (35° C)			SEER			Heat 47° F (8.3° C)		Heat 17° F (-8.3° C)		HSPF	
				BTU/hr	S / T	EER	factory	with field TDR	with field TXV	BTU/hr	COP	BTU/hr	COP		
H4H330GHE (continued)	EHD4X30A**	*8MV*1102120**	TDR&TXV	30,000	0.76	11.50	13.50				29,200	3.46	18,000	2.34	7.7
	EHD4X30A**	*8MV*1352422**	TDR&TXV	30,000	0.76	11.50	13.50				29,200	3.48	18,000	2.36	7.7
	EHD4X30A**	*8MX*0701716**	TDR&TXV	30,000	0.76	11.00	13.20				29,200	3.44	18,200	2.32	7.7
	EHD4X30A**	*8MX*0902116**	TDR&TXV	30,000	0.76	11.50	13.20				29,200	3.46	18,100	2.34	7.7
	EHD4X30A**	*9MPV050	TDR&TXV	30,000	0.76	11.00	13.00				29,400	3.40	18,300	2.30	7.7
	EHD4X30A**	*9MPV075	TDR&TXV	30,000	0.76	11.00	13.00				29,400	3.42	18,300	2.30	7.7
	EHD4X30A**	*9MPV100	TDR&TXV	30,000	0.76	11.00	13.00				29,400	3.48	18,200	2.34	7.7
	EHD4X30A**	*9MPV125	TDR&TXV	30,000	0.76	11.00	13.20				29,400	3.48	18,100	2.36	7.7
	EHD4X30A**	*9MVX040	TDR&TXV	30,000	0.76	11.00	13.00				29,400	3.40	18,300	2.30	7.7
	EHD4X30A**	*9MVX060	TDR&TXV	30,000	0.76	11.00	13.00				29,400	3.44	18,400	2.32	7.7
	EHD4X30A**	*9MVX080	TDR&TXV	30,000	0.76	11.00	13.20				29,400	3.52	18,300	2.36	7.7
	EHD4X30A**	*9MVX100	TDR&TXV	30,000	0.76	11.00	13.20				29,400	3.48	18,100	2.34	7.7
	EHD4X30A**	MV08B15**B*	TDR&TXV	30,000	0.76	11.50	13.50				29,400	3.52	18,000	2.38	7.7
	EHD4X30A**	MV12F19**B*	TDR&TXV	30,000	0.76	11.50	13.50				29,400	3.54	18,000	2.38	7.8
	EHD4X30A**	OLV112A16A	TDR&TXV	30,000	0.76	11.00	13.00				30,000	3.50	18,300	2.36	7.7
	EHD4X30A**	OMV098J12A	TDR&TXV	30,000	0.76	11.00	13.00				30,000	3.46	18,300	2.32	7.7
	EHD4X30A**	OMV112K14A	TDR&TXV	30,000	0.76	11.00	13.00				30,000	3.50	18,100	2.36	7.7
	EHD4X36A**	*8MPV050	TDR&TXV	30,000	0.76	11.00	13.00				30,000	3.56	18,800	2.36	7.8
	EHD4X36A**	*8MPV075	TDR&TXV	30,000	0.76	11.50	13.50				29,600	3.64	18,500	2.40	7.8
	EHD4X36A**	*8MPV100	TDR&TXV	30,000	0.76	11.50	13.50				29,600	3.66	18,300	2.44	8.0
	EHD4X36A**	*8MPV125	TDR&TXV	30,000	0.76	11.50	13.50				29,600	3.68	18,300	2.44	8.0
	EHD4X36A**	*8MV*0701412**	TDR&TXV	30,000	0.76	11.50	13.50				29,200	3.54	18,100	2.38	7.7
	EHD4X36A**	*8MV*0901716**	TDR&TXV	30,000	0.76	11.50	13.50				29,200	3.56	18,000	2.38	7.7
	EHD4X36A**	*8MV*1102120**	TDR&TXV	30,000	0.76	11.50	13.50				29,200	3.58	18,100	2.40	7.7
	EHD4X36A**	*8MV*1352422**	TDR&TXV	30,000	0.76	11.50	13.50				29,200	3.58	18,000	2.40	7.8
	EHD4X36A**	*8MX*0701716**	TDR&TXV	30,000	0.76	11.50	13.50				29,200	3.58	18,400	2.38	7.8
	EHD4X36A**	*8MX*0902116**	TDR&TXV	30,000	0.76	11.50	13.50				29,200	3.62	18,300	2.40	7.8
	EHD4X36A**	*9MPV050	TDR&TXV	30,000	0.76	11.00	13.00				29,600	3.54	18,500	2.36	7.8
	EHD4X36A**	*9MPV075	TDR&TXV	30,000	0.76	11.00	13.00				29,600	3.56	18,500	2.36	7.8
	EHD4X36A**	*9MPV100	TDR&TXV	30,000	0.76	11.50	13.50				29,600	3.64	18,400	2.42	7.8
	EHD4X36A**	*9MPV125	TDR&TXV	30,000	0.76	11.50	13.50				29,600	3.66	18,300	2.42	7.8
	EHD4X36A**	*9MVX040	TDR&TXV	30,000	0.76	11.00	13.00				29,600	3.54	18,500	2.36	7.8
	EHD4X36A**	*9MVX060	TDR&TXV	30,000	0.76	11.00	13.20				29,600	3.58	18,500	2.38	7.8
	EHD4X36A**	*9MVX080	TDR&TXV	30,000	0.76	11.50	13.50				29,600	3.68	18,500	2.42	8.0
	EHD4X36A**	*9MVX100	TDR&TXV	30,000	0.76	11.50	13.50				29,600	3.62	18,300	2.42	7.8
	EHD4X36A**	MV08B15**B*	TDR&TXV	30,000	0.76	11.50	13.50				29,400	3.62	18,100	2.42	7.8
	EHD4X36A**	MV12F19**B*	TDR&TXV	30,000	0.76	11.50	14.00				29,400	3.64	18,000	2.44	7.8
	EHD4X36A**	NOMV106D12*	TDR&TXV	30,000	0.76	11.50	13.50				29,000	3.50	18,000	2.36	7.7
	EHD4X36A**	OLV098A12A	TDR&TXV	30,000	0.76	11.00	13.00				30,000	3.56	18,200	2.38	7.7
	EHD4X36A**	OLV112A16A	TDR&TXV	30,000	0.76	11.50	13.50				30,000	3.62	18,300	2.40	7.7
EHD4X36A**	OMV098J12A	TDR&TXV	30,000	0.76	11.00	13.00				30,000	3.56	18,300	2.38	7.7	
EHD4X36A**	OMV112K14A	TDR&TXV	30,000	0.76	11.50	13.50				30,000	3.60	18,100	2.40	7.7	
EHD4X36A**	EN(A,D)X30*14**	*8MV*0701412**	TDR&TXV	30,000	0.76	11.00	13.00				29,200	3.42	18,100	2.32	7.7

2010 ENERGY STAR compliance for combinations with all three: SEER 14.00 or higher and EER 11.00 or higher and HSPF 8.2 or higher.

† For coils not listed with a matching furnace or blower, coil rating applies with any indoor blower device.

- continued on next page -

COOLING & HEATING PERFORMANCE FOR COMBINATION RATINGS (continued) Indoor Models

For complete ratings information, use the AHRI website directory search: www.AHRIdirectory.org. New ratings may be listed online before Specification Sheets are updated.

Outdoor Model	Indoor Model (‡ tested combo)	Furnace Model	Factory Installed	Cool 95° F (35° C)			SEER			Heat 47° F (8.3° C)		Heat 17° F (-8.3° C)		HSPF	
				BTU/hr	S / T	EER	factory	with field TDR	with field TXV	BTU/hr	COP	BTU/hr	COP		
H4H330GHE (continued)	EN(A,D)4X30*17**	*8MV*0901716**	TDR&TXV	30,000	0.76	11.50	13.50				29,200	3.46	17,900	2.34	7.7
	EN(A,D)4X30*17**	*8MX*0701716**	TDR&TXV	30,000	0.76	11.00	13.20				29,200	3.46	18,200	2.34	7.7
	EN(A,D)4X30*17**	*9MPV075	TDR&TXV	30,000	0.76	11.00	13.00				30,000	3.44	18,300	2.32	7.7
	EN(A,D)4X30*17**	*9MVX060	TDR&TXV	30,000	0.76	11.00	13.00				30,000	3.46	18,400	2.34	7.7
	EN(A,D)4X30*17**	OLV098A12A	TDR&TXV	30,000	0.76	11.00	13.00				30,000	3.44	18,100	2.34	7.7
	EN(A,D)4X30*17**	OMV098J12A	TDR&TXV	30,000	0.76	11.00	13.00				30,000	3.44	18,200	2.32	7.7
	EN(A,D)4X30*17**	OMV112K14A	TDR&TXV	30,000	0.76	11.00	13.00				30,000	3.48	18,000	2.36	7.7
	EN(A,D)4X36*21**	*8MV*1102120**	TDR&TXV	30,000	0.76	11.50	13.50				29,200	3.46	18,000	2.34	7.7
	EN(A,D)4X36*21**	*8MX*0902116**	TDR&TXV	30,000	0.76	11.00	13.20				29,200	3.48	18,100	2.36	7.7
	EN(A,D)4X36*21**	*9MPV075	TDR&TXV	30,000	0.76	11.00	13.00				30,000	3.44	18,300	2.32	7.7
	EN(A,D)4X36*21**	*9MPV100	TDR&TXV	30,000	0.76	11.00	13.00				30,000	3.52	18,200	2.36	7.7
	EN(A,D)4X36*21**	*9MVX040	TDR&TXV	30,000	0.76	11.00	13.00				30,000	3.42	18,300	2.32	7.7
	EN(A,D)4X36*21**	*9MVX060	TDR&TXV	30,000	0.76	11.00	13.00				30,000	3.48	18,400	2.34	7.7
	EN(A,D)4X36*21**	*9MVX080	TDR&TXV	30,000	0.76	11.00	13.00				30,000	3.56	18,300	2.38	7.7
	EN(A,D)4X36*21**	OLV098A12A	TDR&TXV	30,000	0.76	11.00	13.00				30,000	3.44	18,100	2.34	7.7
	EN(A,D)4X36*21**	OLV112A16A	TDR&TXV	30,000	0.76	11.00	13.00				30,000	3.50	18,200	2.36	7.7
	EN(A,D)4X36*21**	OMV098J12A	TDR&TXV	30,000	0.76	11.00	13.00				30,000	3.44	18,200	2.34	7.7
	EN(A,D)4X36*21**	OMV112K14A	TDR&TXV	30,000	0.76	11.00	13.00				30,000	3.50	18,000	2.36	7.7
	EN(A,D,W)4X36*17**	*8MV*0901716**	TDR&TXV	30,000	0.76	11.50	13.50				29,200	3.46	17,900	2.34	7.7
	EN(A,D,W)4X36*17**	*8MX*0701716**	TDR&TXV	30,000	0.76	11.00	13.20				29,200	3.46	18,200	2.34	7.7
	EN(A,D,W)4X36*17**	*9MPV075	TDR&TXV	30,000	0.76	11.00	13.00				30,000	3.44	18,300	2.32	7.7
	EN(A,D,W)4X36*17**	*9MVX060	TDR&TXV	30,000	0.76	11.00	13.00				30,000	3.46	18,400	2.34	7.7
	EN(A,D,W)4X36*17**	OLV098A12A	TDR&TXV	30,000	0.76	11.00	13.00				30,000	3.44	18,100	2.34	7.7
	EN(A,D,W)4X36*17**	OMV098J12A	TDR&TXV	30,000	0.76	11.00	13.00				30,000	3.44	18,200	2.32	7.7
	EN(A,D,W)4X36*17**	OMV112K14A	TDR&TXV	30,000	0.76	11.00	13.00				30,000	3.48	18,000	2.36	7.7
	ENH4X30*17**	*8MV*0701412**	TDR&TXV	30,000	0.76	11.00	13.20				29,200	3.42	18,000	2.32	7.7
	ENH4X30*17**	*8MV*0901716**	TDR&TXV	30,000	0.76	11.50	13.50				29,200	3.46	17,900	2.34	7.7
	ENH4X30*17**	*8MV*1102120**	TDR&TXV	30,000	0.76	11.50	13.50				29,200	3.46	18,000	2.34	7.7
	ENH4X30*17**	*8MV*1352422**	TDR&TXV	30,000	0.76	11.50	13.50				29,200	3.46	17,900	2.36	7.7
	ENH4X30*17**	*8MX*0701716**	TDR&TXV	30,000	0.76	11.00	13.20				29,200	3.46	18,200	2.34	7.7
	ENH4X30*17**	*8MX*0902116**	TDR&TXV	30,000	0.76	11.50	13.50				29,200	3.48	18,100	2.36	7.7
	ENH4X30*17**	*9MPV075	TDR&TXV	30,000	0.76	11.00	13.00				30,000	3.44	18,300	2.32	7.7
	ENH4X30*17**	*9MVX060	TDR&TXV	30,000	0.76	11.00	13.00				30,000	3.46	18,400	2.34	7.7
	ENH4X30*17**	OLV098A12A	TDR&TXV	30,000	0.76	11.00	13.00				30,000	3.44	18,100	2.34	7.7
ENH4X30*17**	OLV112A16A	TDR&TXV	30,000	0.76	11.00	13.00				30,000	3.50	18,200	2.36	7.7	
ENH4X30*17**	OMV098J12A	TDR&TXV	30,000	0.76	11.00	13.00				30,000	3.44	18,200	2.32	7.7	
ENH4X30*17**	OMV112K14A	TDR&TXV	30,000	0.76	11.00	13.00				30,000	3.48	18,000	2.36	7.7	
ENH4X36*17**	*8MV*0701412**	TDR&TXV	30,000	0.76	11.00	13.20				29,200	3.42	18,000	2.32	7.7	
ENH4X36*17**	*8MV*0901716**	TDR&TXV	30,000	0.76	11.50	13.50				29,200	3.46	17,900	2.34	7.7	
ENH4X36*17**	*8MV*1102120**	TDR&TXV	30,000	0.76	11.50	13.50				29,200	3.46	18,000	2.34	7.7	
ENH4X36*17**	*8MV*1352422**	TDR&TXV	30,000	0.76	11.50	13.50				29,200	3.46	17,900	2.36	7.7	
ENH4X36*17**	*8MX*0701716**	TDR&TXV	30,000	0.76	11.00	13.20				29,200	3.46	18,200	2.34	7.7	
ENH4X36*17**	*8MX*0902116**	TDR&TXV	30,000	0.76	11.00	13.20				29,200	3.48	18,100	2.36	7.7	

2010 ENERGY STAR compliance for combinations with all three: SEER 14.00 or higher and EER 11.00 or higher and HSPF 8.2 or higher.
 † For coils not listed with a matching furnace or blower, coil rating applies with any indoor blower device.

COOLING & HEATING PERFORMANCE FOR COMBINATION RATINGS (continued) Indoor Models

For complete ratings information, use the AHRI website directory search: www.AHRIdirectory.org. New ratings may be listed online before Specification Sheets are updated.

Outdoor Model	Indoor Model (‡ tested combo)	Furnace Model	Factory Installed	Cool 95° F (35° C)			SEER			Heat 47° F (8.3° C)		Heat 17° F (-8.3° C)		HSPF	
				BTU/hr	S / T	EER	factory	with field TDR	with field TXV	BTU/hr	COP	BTU/hr	COP		
H4H330GHE (continued)	ENH4X36*17**	*9MPV075	TDR&TXV	30,000	0.76	11.00	13.00				30,000	3.44	18,300	2.32	7.7
	ENH4X36*17**	*9MPV100	TDR&TXV	30,000	0.76	11.00	13.00				30,000	3.50	18,200	2.36	7.7
	ENH4X36*17**	*9MVX060	TDR&TXV	30,000	0.76	11.00	13.00				30,000	3.46	18,400	2.34	7.7
	ENH4X36*17**	*9MVX080	TDR&TXV	30,000	0.76	11.00	13.00				30,000	3.54	18,300	2.38	7.7
	ENH4X36*17**	OLV098A12A	TDR&TXV	30,000	0.76	11.00	13.00				30,000	3.44	18,100	2.34	7.7
	ENH4X36*17**	OLV112A16A	TDR&TXV	30,000	0.76	11.00	13.00				30,000	3.50	18,200	2.36	7.7
	ENH4X36*17**	OMV098J12A	TDR&TXV	30,000	0.76	11.00	13.00				30,000	3.44	18,200	2.32	7.7
	ENH4X36*17**	OMV112K14A	TDR&TXV	30,000	0.76	11.00	13.00				30,000	3.48	18,000	2.36	7.7
	FEA4X30**A*	-	TDR&TXV	30,000	0.76	11.00	13.00				30,000	3.48	18,300	2.34	7.7
	FEA4X36**A*	-	TDR&TXV	30,000	0.76	11.00	13.20				30,000	3.50	18,500	2.34	7.7
	FEM4P30**A*	-	TDR	30,000	0.76	11.00	13.00				30,000	3.50	18,400	2.34	7.7
	FEM4P30**A*+TXV	-	TDR	30,000	0.76	11.00				13.20	30,000	3.50	18,400	2.34	7.7
	FEM4P36**A*	-	TDR	30,000	0.76	11.00	13.00				30,000	3.50	18,400	2.34	7.7
	FEM4P36**A*+TXV	-	TDR	30,000	0.76	11.00				13.20	30,000	3.50	18,400	2.34	7.7
	FEM4X30****	-	TDR&TXV	30,000	0.76	11.00	13.20				29,600	3.54	18,300	2.36	7.7
	FEM4X36****	-	TDR&TXV	30,000	0.76	11.00	13.20				29,200	3.62	18,700	2.38	7.8
	FS(M,U)4P30**A*+TXV	-	TDR	30,000	0.76	11.00				13.20	30,000	3.50	18,600	2.34	7.7
	FVM4X24****	-	TDR&TXV	30,000	0.76	11.50	13.50				29,400	3.52	18,000	2.36	7.7
	FVM4X36****	-	TDR&TXV	30,000	0.76	11.50	13.50				29,000	3.52	17,900	2.38	7.7
	FVM4X48****	-	TDR&TXV	30,000	0.76	11.50	14.00				29,400	3.70	18,000	2.46	8.0
FXM4X30**A*	-	TDR&TXV	30,000	0.76	11.50	14.00				29,200	3.60	18,300	2.40	7.8	
FXM4X36**A*	-	TDR&TXV	30,000	0.76	12.00	14.50				29,000	3.70	18,100	2.44	8.2	
H4H336GHE H4H336GLE	‡FS(M,U)4P36**A*	-	TDR	34,000	0.78	11.00	13.00				34,000	3.62	21,600	2.52	7.8
	ED*4X36B**	*8MPV050	TDR&TXV	33,800	0.78	11.00	13.00				33,000	3.44	21,400	2.42	7.8
	ED*4X36B**	*8MX*0451408**	TDR&TXV	33,800	0.78	11.00	13.00				33,600	3.50	21,400	2.44	7.8
	ED*4X36B**	†	TXV	33,800	0.78	11.00			13.00		33,800	3.50	21,800	2.44	7.8
	ED*4X36B**	*8MV*0701412**	TDR&TXV	33,800	0.78	11.50	13.50				33,600	3.54	21,000	2.48	7.8
	ED*4X36B**	MV08B15**B*	TDR&TXV	33,800	0.78	11.50	13.50				33,000	3.64	21,000	2.54	7.8
	ED*4X36F**	*9MPV050	TDR&TXV	33,800	0.78	11.00	13.00				33,000	3.50	21,400	2.44	7.8
	ED*4X36F**	*9MPV075	TDR&TXV	33,800	0.78	11.00	13.20				33,000	3.54	21,400	2.48	7.8
	ED*4X36F**	*9MVX040	TDR&TXV	33,800	0.78	11.00	13.00				33,000	3.50	21,400	2.44	7.8
	ED*4X36F**	*9MVX060	TDR&TXV	33,800	0.78	11.00	13.20				33,000	3.56	21,400	2.48	7.8
	ED*4X36F**	OLV098A12A	TDR&TXV	34,200	0.78	11.00	13.00				33,800	3.54	21,000	2.48	7.7
	ED*4X36F**	OLV112A16A	TDR&TXV	34,600	0.78	11.00	13.00				34,000	3.62	21,200	2.52	7.7
	ED*4X36F**	OMV098J12A	TDR&TXV	34,400	0.78	11.00	13.00				34,000	3.56	21,200	2.50	7.7
	ED*4X36F**	†	TXV	33,800	0.78	11.00			13.00		33,800	3.54	22,000	2.46	7.8
	ED*4X36F**	*8MPV075	TDR&TXV	33,800	0.78	11.50	13.50				33,000	3.60	21,200	2.52	7.8
	ED*4X36F**	*8MV*0901716**	TDR&TXV	33,800	0.78	11.50	13.50				33,000	3.60	20,800	2.52	7.8
	ED*4X36F**	*8MX*0701716**	TDR&TXV	33,800	0.78	11.50	13.50				33,600	3.56	21,200	2.50	7.8
	ED*4X36F**	MV12F19**B*	TDR&TXV	33,800	0.78	11.50	14.00				33,000	3.68	20,800	2.58	7.8
	ED*4X36F**	NOMV106D12*	TDR&TXV	33,800	0.78	11.50	13.50				33,000	3.54	20,800	2.48	7.8
	ED*4X36F**	OMV112K14A	TDR&TXV	34,600	0.78	11.50	13.50				33,800	3.60	21,000	2.52	7.7
ED*4X36J**	†	TXV	33,800	0.78	11.00			13.00		34,000	3.54	22,000	2.46	7.8	

2010 ENERGY STAR compliance for combinations with all three: SEER 14.00 or higher and EER 11.00 or higher and HSPF 8.2 or higher.

† For coils not listed with a matching furnace or blower, coil rating applies with any indoor blower device.

- continued on next page -

COOLING & HEATING PERFORMANCE FOR COMBINATION RATINGS (continued) Indoor Models

For complete ratings information, use the AHRI website directory search: www.AHRIdirectory.org. New ratings may be listed online before Specification Sheets are updated.

Outdoor Model	Indoor Model (‡ tested combo)	Furnace Model	Factory Installed	Cool 95° F (35° C)			SEER			Heat 47° F (8.3° C)		Heat 17° F (-8.3° C)		HSPF	
				BTU/hr	S / T	EER	factory	with field TDR	with field TXV	BTU/hr	COP	BTU/hr	COP		
H4H336GHE H4H336GLE (continued)	ED*4X36J**	*8MPV100	TDR&TXV	33,800	0.78	11.50	13.50				33,000	3.72	21,400	2.58	7.8
	ED*4X36J**	*8MPV125	TDR&TXV	33,800	0.78	11.50	13.50				33,000	3.74	21,200	2.58	7.8
	ED*4X36J**	*8MV*1102120**	TDR&TXV	33,800	0.78	11.50	14.00				33,000	3.62	20,800	2.54	7.8
	ED*4X36J**	*8MX*0902116**	TDR&TXV	33,800	0.78	11.50	14.00				33,600	3.68	21,000	2.56	8.0
	ED*4X36J**	*8MX*1102120**	TDR&TXV	33,800	0.78	11.50	14.00				33,600	3.72	21,000	2.58	8.0
	ED*4X36J**	*9MPV100	TDR&TXV	33,800	0.78	11.50	13.50				33,000	3.68	21,400	2.54	7.8
	ED*4X36J**	*9MVX080	TDR&TXV	33,800	0.78	11.50	13.50				33,000	3.70	21,400	2.56	7.8
	ED*4X36J**	MV16J22**B*	TDR&TXV	33,800	0.78	11.50	14.00				33,000	3.70	20,600	2.58	7.8
	ED*4X36J**	NOMV156E19*	TDR&TXV	33,800	0.78	11.50	13.50				33,000	3.60	20,800	2.52	7.8
	ED*4X36J**	OLV112A16A	TDR&TXV	34,800	0.78	11.50	13.50				34,000	3.64	21,000	2.54	8.0
	ED*4X42F**	*9MPV050	TDR&TXV	34,000	0.78	11.00	13.00				33,000	3.54	21,600	2.46	7.8
	ED*4X42F**	*9MPV075	TDR&TXV	34,000	0.78	11.00	13.20				33,000	3.58	21,400	2.50	7.8
	ED*4X42F**	*9MVX040	TDR&TXV	34,000	0.78	11.00	13.00				33,000	3.54	21,600	2.46	7.8
	ED*4X42F**	*9MVX060	TDR&TXV	34,000	0.78	11.00	13.20				33,000	3.62	21,400	2.50	7.8
	ED*4X42F**	OLV098A12A	TDR&TXV	34,600	0.78	11.00	13.00				34,000	3.58	21,200	2.52	7.7
	ED*4X42F**	OMV098J12A	TDR&TXV	34,600	0.78	11.00	13.00				34,000	3.60	21,200	2.52	7.7
	ED*4X42F**	†	TXV	34,000	0.78	11.00			13.00		33,800	3.58	22,000	2.48	7.8
	ED*4X42F**	*8MPV075	TDR&TXV	34,000	0.78	11.50	13.50				33,000	3.66	21,400	2.54	7.8
	ED*4X42F**	MV12F19**B*	TDR&TXV	34,000	0.78	11.50	14.00				33,000	3.74	20,800	2.60	7.8
	ED*4X42F**	OLV112A16A	TDR&TXV	35,000	0.78	11.50	13.50				34,200	3.66	21,200	2.56	8.0
	ED*4X42F**	OMV112K14A	TDR&TXV	34,800	0.78	11.50	13.50				33,800	3.64	21,000	2.54	8.0
	ED*4X42J**	†	TXV	34,000	0.78	11.00			13.00		33,800	3.58	22,000	2.48	7.8
	ED*4X42J**	*8MPV100	TDR&TXV	34,000	0.78	11.50	13.50				33,000	3.76	21,400	2.60	7.8
	ED*4X42J**	*8MPV125	TDR&TXV	34,000	0.78	11.50	14.00				33,000	3.78	21,200	2.60	7.8
	ED*4X42J**	*8MV*1102120**	TDR&TXV	34,000	0.78	11.50	14.00				33,000	3.66	20,800	2.56	8.0
	ED*4X42J**	*8MX*0902116**	TDR&TXV	34,000	0.78	11.50	14.00				33,600	3.72	21,000	2.58	8.0
	ED*4X42J**	*8MX*1102120**	TDR&TXV	34,000	0.78	11.50	14.00				33,600	3.76	21,000	2.60	8.0
	ED*4X42J**	*9MPV100	TDR&TXV	34,000	0.78	11.50	13.50				33,000	3.72	21,400	2.56	7.8
	ED*4X42J**	*9MVX080	TDR&TXV	34,000	0.78	11.50	13.50				33,000	3.74	21,600	2.58	7.8
	ED*4X42J**	MV16J22**B*	TDR&TXV	34,000	0.78	11.50	13.50				33,000	3.74	20,800	2.60	7.8
	ED*4X42J**	NOMV156E19*	TDR&TXV	34,000	0.78	11.50	13.50				33,000	3.64	20,800	2.54	7.8
	ED*4X42J**	OLV112A16A	TDR&TXV	35,000	0.78	11.50	13.50				34,000	3.68	21,200	2.56	8.0
	ED*4X42L**	†	TXV	34,000	0.78	11.00			13.00		33,000	3.58	22,000	2.48	7.8
	ED*4X42L**	*8MV*1352422**	TDR&TXV	34,000	0.78	11.50	14.00				33,000	3.68	20,800	2.56	8.0
	ED*4X42L**	*9MPV125	TDR&TXV	34,000	0.78	11.50	13.50				33,000	3.76	21,400	2.60	7.8
	ED*4X42L**	*9MVX100	TDR&TXV	34,000	0.78	11.50	13.50				33,000	3.74	21,200	2.58	7.8
	ED*4X42L**	MV20L24**B*	TDR&TXV	34,000	0.78	11.50	14.00				33,000	3.74	20,800	2.60	7.8
	ED*4X42L**	OLV112A16A	TDR&TXV	35,000	0.78	11.50	13.50				34,000	3.68	21,200	2.56	8.0
	ED*4X42L**	OLV154F20A	TDR&TXV	35,800	0.78	12.00	14.00				34,400	3.84	21,400	2.64	8.2
	EHD4X36A**	*8MPV050	TDR&TXV	33,800	0.78	11.00	13.20				33,800	3.58	21,600	2.48	7.8
EHD4X36A**	*8MX*0451408**	TDR&TXV	33,800	0.78	11.00	14.00				33,600	3.64	21,600	2.50	7.8	
EHD4X36A**	*9MPV050	TDR&TXV	33,800	0.78	11.00	13.20				33,000	3.62	21,600	2.50	7.8	
EHD4X36A**	*9MVX040	TDR&TXV	33,800	0.78	11.00	13.20				33,000	3.60	21,600	2.50	7.8	

2010 ENERGY STAR compliance for combinations with all three: SEER 14.00 or higher and EER 11.00 or higher and HSPF 8.2 or higher.
 † For coils not listed with a matching furnace or blower, coil rating applies with any indoor blower device.

COOLING & HEATING PERFORMANCE FOR COMBINATION RATINGS (continued) Indoor Models

For complete ratings information, use the AHRI website directory search: www.AHRIdirectory.org. New ratings may be listed online before Specification Sheets are updated.

Outdoor Model	Indoor Model (‡ tested combo)	Furnace Model	Factory Installed	Cool 95° F (35° C)			SEER			Heat 47° F (8.3° C)		Heat 17° F (-8.3° C)		HSPF
				BTU/hr	S / T	EER	factory	with field TDR	with field TXV	BTU/hr	COP	BTU/hr	COP	
H4H336GHE H4H336GLE (continued)	EHD4X36A**	†	TXV	33,800	0.78	11.00		13.00		33,800	3.66	22,200	2.50	7.8
	EHD4X36A**	*8MPV075	TDR&TXV	33,800	0.78	11.50	13.50			33,000	3.72	21,400	2.56	7.8
	EHD4X36A**	*8MPV100	TDR&TXV	33,800	0.78	11.50	14.00			33,000	3.82	21,400	2.60	8.0
	EHD4X36A**	*8MPV125	TDR&TXV	33,800	0.78	11.50	14.00			33,000	3.82	21,400	2.62	8.0
	EHD4X36A**	*8MV*0701412**	TDR&TXV	33,800	0.78	11.50	13.50			33,600	3.68	21,200	2.54	8.0
	EHD4X36A**	*8MV*0901716**	TDR&TXV	33,800	0.78	11.50	14.00			33,600	3.72	21,000	2.58	8.0
	EHD4X36A**	*8MV*1102120**	TDR&TXV	33,800	0.78	11.50	14.00			33,600	3.72	21,000	2.58	8.0
	EHD4X36A**	*8MV*1352422**	TDR&TXV	33,800	0.78	11.50	14.00			33,600	3.74	21,000	2.58	8.0
	EHD4X36A**	*8MX*0701716**	TDR&TXV	33,800	0.78	11.50	13.50			33,600	3.68	21,400	2.54	8.0
	EHD4X36A**	*8MX*0902116**	TDR&TXV	33,800	0.78	11.50	14.00			33,600	3.78	21,000	2.60	8.0
	EHD4X36A**	*8MX*1102120**	TDR&TXV	33,800	0.78	11.50	14.00			33,600	3.80	21,200	2.62	8.0
	EHD4X36A**	*9MPV075	TDR&TXV	33,800	0.78	11.50	13.50			33,000	3.64	21,600	2.52	7.8
	EHD4X36A**	*9MPV100	TDR&TXV	33,800	0.78	11.50	13.50			33,000	3.76	21,600	2.58	7.8
	EHD4X36A**	*9MPV125	TDR&TXV	33,800	0.78	11.50	13.50			33,000	3.80	21,400	2.60	7.8
	EHD4X36A**	*9MVX060	TDR&TXV	33,800	0.78	11.50	13.50			33,000	3.68	21,600	2.54	7.8
	EHD4X36A**	*9MVX080	TDR&TXV	33,800	0.78	11.50	13.50			33,000	3.80	21,600	2.60	7.8
	EHD4X36A**	*9MVX100	TDR&TXV	33,800	0.78	11.50	13.50			33,000	3.76	21,400	2.58	7.8
	EHD4X36A**	MV08B15**B*	TDR&TXV	33,800	0.78	11.50	14.00			33,000	3.78	21,000	2.60	7.8
	EHD4X36A**	NOMV106D12*	TDR&TXV	34,000	0.78	11.50	13.50			33,000	3.66	21,000	2.54	7.8
	EHD4X36A**	NOMV156E19*	TDR&TXV	34,000	0.78	11.50	14.00			33,000	3.70	21,000	2.56	7.8
	EHD4X36A**	OLV098A12A	TDR&TXV	35,000	0.78	11.50	13.50			34,200	3.66	21,200	2.54	8.0
	EHD4X36A**	OLV112A16A	TDR&TXV	35,400	0.78	11.50	13.50			34,400	3.74	21,400	2.58	8.0
	EHD4X36A**	OMV098J12A	TDR&TXV	35,200	0.78	11.50	13.50			34,200	3.66	21,400	2.54	8.0
	EHD4X36A**	OMV112K14A	TDR&TXV	35,200	0.78	11.50	13.50			34,200	3.72	21,200	2.58	8.0
	EHD4X36A**	MV12F19**B*	TDR&TXV	33,800	0.78	12.00	14.50			33,000	3.80	21,000	2.62	8.2
	EHD4X36A**	MV16J22**B*	TDR&TXV	33,800	0.78	12.00	14.50			33,000	3.82	21,000	2.62	8.2
	EHD4X36A**	MV20L24**B*	TDR&TXV	33,800	0.78	12.00	14.50			33,000	3.80	21,000	2.62	8.2
	EHD4X36A**	OLV154F20A	TDR&TXV	36,000	0.78	12.00	14.00			34,600	3.90	21,600	2.66	8.5
	EHD4X42A**	*8MPV050	TDR&TXV	34,000	0.78	11.00	13.20			33,000	3.64	21,600	2.50	7.8
	EHD4X42A**	*8MX*0451408**	TDR&TXV	34,000	0.78	11.00	13.20			33,600	3.70	21,600	2.52	8.0
	EHD4X42A**	*9MPV050	TDR&TXV	34,000	0.78	11.00	13.20			33,000	3.68	21,800	2.52	7.8
	EHD4X42A**	*9MVX040	TDR&TXV	34,000	0.78	11.00	13.20			33,000	3.66	21,800	2.52	7.8
	EHD4X42A**	†	TXV	34,000	0.78	11.00			13.00	33,000	3.70	22,200	2.52	7.8
EHD4X42A**	*8MPV075	TDR&TXV	34,000	0.78	11.50	13.50			33,000	3.80	21,600	2.58	7.8	
EHD4X42A**	*8MPV100	TDR&TXV	34,000	0.78	11.50	14.00			33,000	3.90	21,600	2.64	8.0	
EHD4X42A**	*8MPV125	TDR&TXV	34,000	0.78	11.50	14.00			33,000	3.90	21,400	2.64	8.0	
EHD4X42A**	*8MV*0701412**	TDR&TXV	34,000	0.78	11.50	13.50			33,600	3.72	21,200	2.56	8.0	
EHD4X42A**	*8MV*0901716**	TDR&TXV	34,000	0.78	11.50	14.00			33,600	3.76	21,000	2.60	8.0	
EHD4X42A**	*8MV*1102120**	TDR&TXV	34,000	0.78	11.50	14.00			33,600	3.76	21,000	2.60	8.0	
EHD4X42A**	*8MV*1352422**	TDR&TXV	34,000	0.78	11.50	14.00			33,600	3.78	21,000	2.60	8.0	
EHD4X42A**	*8MX*0701716**	TDR&TXV	34,000	0.78	11.50	13.50			33,600	3.74	21,400	2.56	8.0	
EHD4X42A**	*8MX*0902116**	TDR&TXV	34,000	0.78	11.50	14.00			33,600	3.84	21,200	2.62	8.0	
EHD4X42A**	*9MPV075	TDR&TXV	34,000	0.78	11.50	13.50			33,000	3.70	21,600	2.54	7.8	

2010 ENERGY STAR compliance for combinations with all three: SEER 14.00 or higher and EER 11.00 or higher and HSPF 8.2 or higher.

† For coils not listed with a matching furnace or blower, coil rating applies with any indoor blower device.

- continued on next page -

COOLING & HEATING PERFORMANCE FOR COMBINATION RATINGS (continued) Indoor Models

For complete ratings information, use the AHRI website directory search: www.AHRIdirectory.org. New ratings may be listed online before Specification Sheets are updated.

Outdoor Model	Indoor Model (‡ tested combo)	Furnace Model	Factory Installed	Cool 95° F (35° C)			SEER			Heat 47° F (8.3° C)		Heat 17° F (-8.3° C)		HSPF	
				BTU/hr	S / T	EER	factory	with field TDR	with field TXV	BTU/hr	COP	BTU/hr	COP		
H4H336GHE H4H336GLE (continued)	EHD4X42A**	*9MPV100	TDR&TXV	34,000	0.78	11.50	13.50				33,000	3.84	21,600	2.60	8.0
	EHD4X42A**	*9MPV125	TDR&TXV	34,000	0.78	11.50	14.00				33,000	3.88	21,400	2.62	8.0
	EHD4X42A**	*9MVX060	TDR&TXV	34,000	0.78	11.50	13.50				33,000	3.76	21,600	2.56	7.8
	EHD4X42A**	*9MVX080	TDR&TXV	34,000	0.78	11.50	13.50				33,000	3.86	21,600	2.62	8.0
	EHD4X42A**	*9MVX100	TDR&TXV	34,000	0.78	11.50	14.00				33,000	3.84	21,400	2.62	8.0
	EHD4X42A**	MV08B15**B*	TDR&TXV	34,000	0.78	11.50	14.00				33,000	3.82	21,000	2.62	7.8
	EHD4X42A**	NOMV106D12*	TDR&TXV	34,000	0.78	11.50	14.00				33,000	3.70	21,000	2.56	7.8
	EHD4X42A**	NOMV156E19*	TDR&TXV	34,000	0.78	11.50	14.00				33,000	3.74	21,000	2.58	7.8
	EHD4X42A**	OLV098A12A	TDR&TXV	35,200	0.78	11.50	13.50				34,200	3.70	21,200	2.56	8.0
	EHD4X42A**	OLV112A16A	TDR&TXV	35,600	0.78	11.50	13.50				34,400	3.80	21,400	2.60	8.2
	EHD4X42A**	OMV098J12A	TDR&TXV	35,400	0.78	11.50	13.50				34,400	3.72	21,400	2.56	8.0
	EHD4X42A**	*8MX*1102120**	TDR&TXV	34,000	0.78	12.00	14.50				33,600	3.88	21,200	2.64	8.2
	EHD4X42A**	MV12F19**B*	TDR&TXV	34,000	0.78	12.00	14.50				33,000	3.86	21,000	2.64	8.2
	EHD4X42A**	MV16J22**B*	TDR&TXV	34,000	0.78	12.00	14.50				33,000	3.86	21,000	2.64	8.2
	EHD4X42A**	MV20L24**B*	TDR&TXV	34,000	0.78	12.00	14.50				33,000	3.86	21,000	2.64	8.2
	EHD4X42A**	OLV154F20A	TDR&TXV	36,000	0.78	12.00	14.00				34,600	3.96	21,600	2.68	8.5
	EHD4X42A**	OMV112K14A	TDR&TXV	35,400	0.78	12.00	14.00				34,200	3.76	21,200	2.60	8.2
	EMA4X36D**	†	TXV	33,800	0.78	11.00			13.00		33,800	3.52	22,000	2.46	7.8
	EN(A,D)4X36*21**	*9MPV050	TDR&TXV	34,200	0.78	11.00	13.00				34,200	3.50	21,400	2.46	7.7
	EN(A,D)4X36*21**	*9MPV075	TDR&TXV	34,200	0.78	11.00	13.00				34,000	3.52	21,200	2.48	7.7
	EN(A,D)4X36*21**	*9MVX040	TDR&TXV	34,200	0.78	11.00	13.00				34,200	3.50	21,400	2.46	7.7
	EN(A,D)4X36*21**	*9MVX060	TDR&TXV	34,400	0.78	11.00	13.00				34,200	3.56	21,400	2.50	7.7
	EN(A,D)4X36*21**	OLV098A12A	TDR&TXV	34,200	0.78	11.00	13.00				33,800	3.52	21,200	2.48	7.7
	EN(A,D)4X36*21**	OLV112A16A	TDR&TXV	34,600	0.78	11.00	13.00				34,000	3.58	21,200	2.52	7.7
	EN(A,D)4X36*21**	OMV098J12A	TDR&TXV	34,200	0.78	11.00	13.00				34,000	3.52	21,200	2.48	7.7
	EN(A,D)4X36*21**	†	TXV	33,800	0.78	11.00			13.00		33,800	3.52	22,000	2.46	7.8
	EN(A,D)4X36*21**	*8MV*1102120**	TDR&TXV	33,800	0.78	11.50	13.50				33,000	3.58	20,800	2.52	7.8
	EN(A,D)4X36*21**	*8MX*0902116**	TDR&TXV	33,800	0.78	11.50	13.50				33,000	3.62	21,000	2.54	7.8
	EN(A,D)4X36*21**	*8MX*1102120**	TDR&TXV	33,800	0.78	11.50	13.50				33,000	3.64	21,000	2.54	7.8
	EN(A,D)4X36*21**	*9MPV100	TDR&TXV	34,800	0.78	11.50	13.50				34,000	3.64	21,200	2.54	8.0
	EN(A,D)4X36*21**	*9MVX080	TDR&TXV	35,000	0.78	11.50	13.50				34,200	3.66	21,400	2.54	8.0
	EN(A,D)4X36*21**	NOMV156E19*	TDR&TXV	33,800	0.78	11.50	13.50				33,000	3.56	20,800	2.50	7.8
	EN(A,D)4X36*21**	OMV112K14A	TDR&TXV	34,400	0.78	11.50	13.50				33,800	3.58	21,000	2.52	7.7
	EN(A,D)4X37*17**	*9MPV050	TDR&TXV	35,600	0.78	11.00	13.00				34,800	3.78	21,800	2.56	8.2
EN(A,D)4X37*17**	*9MVX040	TDR&TXV	35,600	0.78	11.00	13.00				34,800	3.78	21,800	2.56	8.2	
EN(A,D)4X37*17**	†	TXV	34,200	0.78	11.00			13.00		33,800	3.76	22,400	2.54	8.0	
EN(A,D)4X37*17**	*8MV*0901716**	TDR&TXV	34,200	0.78	11.50	14.00				33,600	3.86	21,200	2.62	8.0	
EN(A,D)4X37*17**	*8MX*0701716**	TDR&TXV	34,200	0.78	11.50	13.50				33,600	3.82	21,600	2.58	8.0	
EN(A,D)4X37*17**	*9MPV075	TDR&TXV	35,800	0.78	11.50	13.50				34,600	3.82	21,600	2.58	8.2	
EN(A,D)4X37*17**	*9MVX060	TDR&TXV	36,000	0.78	11.50	13.50				34,600	3.86	21,600	2.60	8.2	
EN(A,D)4X37*17**	NOMV106D12*	TDR&TXV	34,000	0.78	11.50	14.00				33,000	3.80	21,200	2.58	8.0	
EN(A,D)4X37*17**	OLV098A12A	TDR&TXV	35,600	0.78	11.50	13.50				34,400	3.80	21,400	2.58	8.2	
EN(A,D)4X37*17**	OMV098J12A	TDR&TXV	35,600	0.78	11.50	13.50				34,600	3.82	21,400	2.58	8.2	

2010 ENERGY STAR compliance for combinations with all three: SEER 14.00 or higher and EER 11.00 or higher and HSPF 8.2 or higher.
 † For coils not listed with a matching furnace or blower, coil rating applies with any indoor blower device.

COOLING & HEATING PERFORMANCE FOR COMBINATION RATINGS (continued) Indoor Models

For complete ratings information, use the AHRI website directory search: www.AHRIdirectory.org. New ratings may be listed online before Specification Sheets are updated.

Outdoor Model	Indoor Model (‡ tested combo)	Furnace Model	Factory Installed	Cool 95° F (35° C)			SEER			Heat 47° F (8.3° C)		Heat 17° F (-8.3° C)		HSPF	
				BTU/hr	S / T	EER	factory	with field TDR	with field TXV	BTU/hr	COP	BTU/hr	COP		
H4H336GHE H4H336GLE (continued)	EN(A,D)4X37*17**	OMV112K14A	TDR&TXV	35,800	0.78	12.00	14.00				34,400	3.88	21,200	2.62	8.2
	EN(A,D)4X43*24**	†	TXV	34,200	0.78	11.00		13.00			33,800	3.76	22,400	2.54	8.0
	EN(A,D)4X43*24**	*8MV*1352422**	TDR&TXV	34,200	0.78	11.50	14.00				33,600	3.92	21,000	2.66	8.0
	EN(A,D)4X43*24**	*9MPV100	TDR&TXV	36,000	0.78	12.00	14.00				34,400	3.98	21,600	2.68	8.5
	EN(A,D)4X43*24**	*9MPV125	TDR&TXV	36,000	0.78	12.00	14.00				34,400	4.02	21,600	2.70	8.5
	EN(A,D)4X43*24**	*9MVX080	TDR&TXV	36,000	0.78	12.00	14.00				34,400	3.98	21,600	2.68	8.5
	EN(A,D)4X43*24**	*9MVX100	TDR&TXV	36,000	0.78	12.00	14.00				34,400	4.00	21,400	2.70	8.5
	EN(A,D)4X43*24**	OLV112A16A	TDR&TXV	36,000	0.78	12.00	14.00				34,400	3.92	21,400	2.66	8.5
	EN(A,D)4X43*24**	OLV154F20A	TDR&TXV	36,000	0.78	12.00	14.00				34,200	4.04	21,600	2.72	8.5
	EN(A,D,W)4X36*17**	*9MPV050	TDR&TXV	34,200	0.78	11.00	13.00				34,200	3.50	21,400	2.46	7.7
	EN(A,D,W)4X36*17**	*9MPV075	TDR&TXV	34,200	0.78	11.00	13.00				34,000	3.52	21,200	2.48	7.7
	EN(A,D,W)4X36*17**	*9MVX040	TDR&TXV	34,200	0.78	11.00	13.00				34,200	3.48	21,400	2.46	7.7
	EN(A,D,W)4X36*17**	*9MVX060	TDR&TXV	34,400	0.78	11.00	13.00				34,200	3.56	21,400	2.50	7.7
	EN(A,D,W)4X36*17**	OLV098A12A	TDR&TXV	34,200	0.78	11.00	13.00				33,800	3.52	21,200	2.48	7.7
	EN(A,D,W)4X36*17**	OMV098J12A	TDR&TXV	34,200	0.78	11.00	13.00				34,000	3.52	21,200	2.48	7.7
	EN(A,D,W)4X36*17**	†	TXV	33,800	0.78	11.00		13.00			33,800	3.52	22,000	2.46	7.8
	EN(A,D,W)4X36*17**	*8MV*0901716**	TDR&TXV	33,800	0.78	11.50	13.50				33,000	3.58	20,800	2.52	7.8
	EN(A,D,W)4X36*17**	*8MX*0701716**	TDR&TXV	33,800	0.78	11.50	13.50				33,600	3.52	21,200	2.48	7.8
	EN(A,D,W)4X36*17**	NOMV106D12*	TDR&TXV	33,800	0.78	11.50	13.50				33,000	3.50	21,000	2.48	7.7
	EN(A,D,W)4X36*17**	OMV112K14A	TDR&TXV	34,400	0.78	11.50	13.50				33,800	3.58	21,000	2.52	7.7
	EN(A,D,W)4X42*21**	*9MPV050	TDR&TXV	34,600	0.78	11.00	13.00				34,400	3.58	21,400	2.48	7.7
	EN(A,D,W)4X42*21**	*9MPV075	TDR&TXV	34,800	0.78	11.00	13.00				34,200	3.60	21,400	2.52	7.7
	EN(A,D,W)4X42*21**	*9MVX040	TDR&TXV	34,600	0.78	11.00	13.00				34,400	3.56	21,400	2.48	7.7
	EN(A,D,W)4X42*21**	*9MVX060	TDR&TXV	34,800	0.78	11.00	13.00				34,400	3.64	21,400	2.52	8.0
	EN(A,D,W)4X42*21**	OLV098A12A	TDR&TXV	34,600	0.78	11.00	13.00				34,000	3.58	21,200	2.50	7.7
	EN(A,D,W)4X42*21**	OMV098J12A	TDR&TXV	34,600	0.78	11.00	13.00				34,200	3.60	21,200	2.52	7.7
	EN(A,D,W)4X42*21**	†	TXV	34,000	0.78	11.00		13.00			33,800	3.58	22,000	2.48	7.8
	EN(A,D,W)4X42*21**	*8MV*1102120**	TDR&TXV	34,000	0.78	11.50	13.50				33,600	3.66	21,000	2.56	8.0
	EN(A,D,W)4X42*21**	*8MX*0902116**	TDR&TXV	34,000	0.78	11.50	14.00				33,600	3.70	21,000	2.56	8.0
	EN(A,D,W)4X42*21**	*8MX*1102120**	TDR&TXV	34,000	0.78	11.50	14.00				33,600	3.72	21,000	2.58	8.0
	EN(A,D,W)4X42*21**	*9MPV100	TDR&TXV	35,200	0.78	11.50	13.50				34,200	3.72	21,400	2.58	8.0
	EN(A,D,W)4X42*21**	*9MVX080	TDR&TXV	35,400	0.78	11.50	13.50				34,400	3.74	21,400	2.58	8.0
EN(A,D,W)4X42*21**	NOMV156E19*	TDR&TXV	34,000	0.78	11.50	13.50				33,000	3.62	21,000	2.54	7.8	
EN(A,D,W)4X42*21**	OLV112A16A	TDR&TXV	35,000	0.78	11.50	13.50				34,200	3.66	21,200	2.54	8.0	
EN(A,D,W)4X42*21**	OMV112K14A	TDR&TXV	34,800	0.78	11.50	13.50				34,000	3.66	21,000	2.54	8.0	
END4X42*17**	*9MPV050	TDR&TXV	34,800	0.78	11.00	13.00				34,600	3.62	21,600	2.50	8.0	
END4X42*17**	*9MPV075	TDR&TXV	35,000	0.78	11.00	13.00				34,400	3.66	21,400	2.54	8.0	
END4X42*17**	*9MVX040	TDR&TXV	34,800	0.78	11.00	13.00				34,400	3.62	21,600	2.50	7.7	
END4X42*17**	*9MVX060	TDR&TXV	35,200	0.78	11.00	13.00				34,400	3.70	21,400	2.54	8.0	
END4X42*17**	OLV098A12A	TDR&TXV	34,800	0.78	11.00	13.00				34,200	3.64	21,200	2.54	8.0	
END4X42*17**	OMV098J12A	TDR&TXV	35,000	0.78	11.00	13.00				34,200	3.66	21,400	2.54	8.0	
END4X42*17**	†	TXV	34,000	0.78	11.00		13.00			33,800	3.64	22,200	2.50	7.8	
END4X42*17**	*8MV*0901716**	TDR&TXV	34,000	0.78	11.50	14.00				33,600	3.70	21,000	2.56	8.0	

2010 ENERGY STAR compliance for combinations with all three: SEER 14.00 or higher and EER 11.00 or higher and HSPF 8.2 or higher.

† For coils not listed with a matching furnace or blower, coil rating applies with any indoor blower device.

- continued on next page -

COOLING & HEATING PERFORMANCE FOR COMBINATION RATINGS (continued) Indoor Models

For complete ratings information, use the AHRI website directory search: www.AHRIdirectory.org. New ratings may be listed online before Specification Sheets are updated.

Outdoor Model	Indoor Model (‡ tested combo)	Furnace Model	Factory Installed	Cool 95° F (35° C)			SEER			Heat 47° F (8.3° C)		Heat 17° F (-8.3° C)		HSPF	
				BTU/hr	S / T	EER	factory	with field TDR	with field TXV	BTU/hr	COP	BTU/hr	COP		
H4H336GHE H4H336GLE (continued)	END4X42*17**	*8MX*0701716**	TDR&TXV	34,000	0.78	11.50	13.50				33,600	3.66	21,400	2.54	8.0
	END4X42*17**	NOMV106D12*	TDR&TXV	34,000	0.78	11.50	13.50				33,000	3.64	21,000	2.54	7.8
	END4X42*17**	OMV112K14A	TDR&TXV	35,200	0.78	11.50	13.50				34,000	3.70	21,200	2.56	8.0
	ENH4X36*17**	*8MX*0451408**	TDR&TXV	33,800	0.78	11.00	13.00				33,600	3.50	21,400	2.44	7.8
	ENH4X36*17**	*9MPV050	TDR&TXV	34,200	0.78	11.00	13.00				34,200	3.50	21,400	2.46	7.7
	ENH4X36*17**	*9MPV075	TDR&TXV	34,200	0.78	11.00	13.00				34,000	3.52	21,200	2.48	7.7
	ENH4X36*17**	*9MVX040	TDR&TXV	34,200	0.78	11.00	13.00				34,200	3.48	21,400	2.46	7.7
	ENH4X36*17**	*9MVX060	TDR&TXV	34,400	0.78	11.00	13.00				34,200	3.56	21,400	2.50	7.7
	ENH4X36*17**	OLV098A12A	TDR&TXV	34,200	0.78	11.00	13.00				33,800	3.52	21,200	2.48	7.7
	ENH4X36*17**	OLV112A16A	TDR&TXV	34,600	0.78	11.00	13.00				34,000	3.58	21,200	2.50	7.7
	ENH4X36*17**	OMV098J12A	TDR&TXV	34,200	0.78	11.00	13.00				34,000	3.52	21,200	2.48	7.7
	ENH4X36*17**	†	TXV	33,800	0.78	11.00			13.00		33,800	3.52	22,000	2.46	7.8
	ENH4X36*17**	*8MV*0701412**	TDR&TXV	33,800	0.78	11.50	13.50				33,000	3.54	21,000	2.48	7.8
	ENH4X36*17**	*8MV*0901716**	TDR&TXV	33,800	0.78	11.50	13.50				33,000	3.58	20,800	2.52	7.8
	ENH4X36*17**	*8MV*1102120**	TDR&TXV	33,800	0.78	11.50	13.50				33,000	3.58	20,800	2.52	7.8
	ENH4X36*17**	*8MV*1352422**	TDR&TXV	33,800	0.78	11.50	13.50				33,000	3.58	20,800	2.52	7.8
	ENH4X36*17**	*8MX*0701716**	TDR&TXV	33,800	0.78	11.50	14.00				33,600	3.52	21,200	2.48	7.8
	ENH4X36*17**	*8MX*0902116**	TDR&TXV	33,800	0.78	11.50	13.50				33,000	3.60	20,800	2.52	7.8
	ENH4X36*17**	*8MX*1102120**	TDR&TXV	33,800	0.78	11.50	13.50				33,000	3.64	21,000	2.54	7.8
	ENH4X36*17**	NOMV156E19*	TDR&TXV	33,800	0.78	11.50	13.50				33,000	3.56	20,800	2.50	7.8
	ENH4X36*17**	OLV154F20A	TDR&TXV	35,200	0.78	11.50	13.50				34,400	3.72	21,400	2.58	8.0
	ENH4X36*17**	OMV112K14A	TDR&TXV	34,400	0.78	11.50	13.50				33,800	3.58	21,000	2.52	7.7
	ENH4X42*21**	*8MX*0451408**	TDR&TXV	34,000	0.78	11.00	13.20				33,000	3.58	21,600	2.48	7.8
	ENH4X42*21**	*9MPV050	TDR&TXV	34,600	0.78	11.00	13.00				34,400	3.58	21,400	2.48	7.7
	ENH4X42*21**	*9MPV075	TDR&TXV	34,800	0.78	11.00	13.00				34,200	3.60	21,400	2.52	7.7
	ENH4X42*21**	*9MVX040	TDR&TXV	34,600	0.78	11.00	13.00				34,400	3.56	21,400	2.48	7.7
	ENH4X42*21**	*9MVX060	TDR&TXV	34,800	0.78	11.00	13.00				34,400	3.64	21,400	2.52	8.0
	ENH4X42*21**	OLV098A12A	TDR&TXV	34,600	0.78	11.00	13.00				34,000	3.58	21,200	2.50	7.7
	ENH4X42*21**	OMV098J12A	TDR&TXV	34,600	0.78	11.00	13.00				34,200	3.60	21,200	2.52	7.7
	ENH4X42*21**	†	TXV	34,000	0.78	11.00			13.00		33,800	3.58	22,000	2.48	7.8
	ENH4X42*21**	*8MV*0701412**	TDR&TXV	34,000	0.78	11.50	13.50				33,000	3.62	21,000	2.52	7.8
	ENH4X42*21**	*8MV*0901716**	TDR&TXV	34,000	0.78	11.50	14.00				33,000	3.66	21,000	2.54	7.8
	ENH4X42*21**	*8MV*1102120**	TDR&TXV	34,000	0.78	11.50	14.00				33,000	3.66	21,000	2.56	7.8
	ENH4X42*21**	*8MV*1352422**	TDR&TXV	34,000	0.78	11.50	14.00				33,000	3.66	20,800	2.56	7.8
	ENH4X42*21**	*8MX*0701716**	TDR&TXV	34,000	0.78	11.50	13.50				33,000	3.62	21,200	2.52	7.8
	ENH4X42*21**	*8MX*0902116**	TDR&TXV	34,000	0.78	11.50	14.00				33,000	3.70	21,000	2.56	8.0
	ENH4X42*21**	*8MX*1102120**	TDR&TXV	34,000	0.78	11.50	14.00				33,000	3.72	21,000	2.58	8.0
	ENH4X42*21**	*9MPV100	TDR&TXV	35,200	0.78	11.50	13.50				34,200	3.72	21,400	2.58	8.0
	ENH4X42*21**	*9MVX080	TDR&TXV	35,400	0.78	11.50	13.50				34,400	3.74	21,400	2.58	8.0
	ENH4X42*21**	NOMV106D12*	TDR&TXV	33,800	0.78	11.50	13.50				33,000	3.58	21,000	2.52	7.8
ENH4X42*21**	NOMV156E19*	TDR&TXV	34,000	0.78	11.50	13.50				33,000	3.62	21,000	2.54	7.8	
ENH4X42*21**	OLV112A16A	TDR&TXV	35,000	0.78	11.50	13.50				34,200	3.66	21,200	2.54	8.0	
ENH4X42*21**	OLV154F20A	TDR&TXV	35,800	0.78	11.50	13.50				34,400	3.82	21,400	2.62	8.2	

2010 ENERGY STAR compliance for combinations with all three: SEER 14.00 or higher and EER 11.00 or higher and HSPF 8.2 or higher.
 † For coils not listed with a matching furnace or blower, coil rating applies with any indoor blower device.

- continued on next page -

COOLING & HEATING PERFORMANCE FOR COMBINATION RATINGS (continued) Indoor Models

For complete ratings information, use the AHRI website directory search: www.AHRIdirectory.org. New ratings may be listed online before Specification Sheets are updated.

Outdoor Model	Indoor Model (‡ tested combo)	Furnace Model	Factory Installed	Cool 95° F (35° C)			SEER			Heat 47° F (8.3° C)		Heat 17° F (-8.3° C)		HSPF	
				BTU/hr	S / T	EER	factory	with field TDR	with field TXV	BTU/hr	COP	BTU/hr	COP		
H4H336GHE H4H336GLE (continued)	ENH4X42*21**	OMV112K14A	TDR&TXV	34,800	0.78	11.50	13.50				34,000	3.66	21,000	2.54	8.0
	ENH4X43*21**	*9MPV050	TDR&TXV	35,600	0.78	11.00	13.00				34,800	3.80	21,800	2.58	8.2
	ENH4X43*21**	*9MVX040	TDR&TXV	35,600	0.78	11.00	13.00				34,800	3.78	21,800	2.56	8.2
	ENH4X43*21**	†	TXV	34,200	0.78	11.00			13.00		33,800	3.76	22,400	2.54	8.0
	ENH4X43*21**	*8MV*0701412**	TDR&TXV	34,200	0.78	11.50	14.00				33,600	3.84	21,200	2.60	8.0
	ENH4X43*21**	*8MX*0451408**	TDR&TXV	34,200	0.78	11.50					33,600	3.80	21,800	2.56	8.0
	ENH4X43*21**	*8MX*0701716**	TDR&TXV	34,200	0.78	11.50	14.00				33,600	3.84	21,600	2.60	8.2
	ENH4X43*21**	*9MPV075	TDR&TXV	35,800	0.78	11.50	13.50				34,600	3.84	21,600	2.60	8.2
	ENH4X43*21**	*9MVX060	TDR&TXV	36,000	0.78	11.50	13.50				34,600	3.88	21,600	2.62	8.2
	ENH4X43*21**	NOMV106D12*	TDR&TXV	34,000	0.78	11.50	14.00				33,000	3.82	21,000	2.60	8.0
	ENH4X43*21**	NOMV156E19*	TDR&TXV	34,000	0.78	11.50	14.00				33,000	3.86	21,200	2.62	8.0
	ENH4X43*21**	OLV098A12A	TDR&TXV	35,600	0.78	11.50	13.50				34,400	3.82	21,400	2.60	8.2
	ENH4X43*21**	OMV098J12A	TDR&TXV	35,600	0.78	11.50	13.50				34,400	3.84	21,400	2.60	8.2
	ENH4X43*21**	*8MV*0901716**	TDR&TXV	34,200	0.78	12.00	14.50				33,600	3.88	21,000	2.62	8.2
	ENH4X43*21**	*8MV*1102120**	TDR&TXV	34,200	0.78	12.00	14.50				33,600	3.90	21,200	2.64	8.2
	ENH4X43*21**	*8MV*1352422**	TDR&TXV	34,200	0.78	12.00	14.50				33,600	3.90	21,000	2.64	8.2
	ENH4X43*21**	*8MX*0902116**	TDR&TXV	34,200	0.78	12.00	14.50				33,600	3.94	21,200	2.66	8.2
	ENH4X43*21**	*8MX*1102120**	TDR&TXV	34,200	0.78	12.00	14.50				33,600	3.98	21,400	2.68	8.2
	ENH4X43*21**	*9MPV100	TDR&TXV	36,000	0.78	12.00	14.00				34,400	3.96	21,600	2.68	8.5
	ENH4X43*21**	*9MVX080	TDR&TXV	36,000	0.78	12.00	14.00				34,400	3.96	21,600	2.68	8.5
	ENH4X43*21**	OLV112A16A	TDR&TXV	36,000	0.78	12.00	14.00				34,400	3.90	21,400	2.64	8.5
	ENH4X43*21**	OLV154F20A	TDR&TXV	36,000	0.78	12.00	14.00				34,200	4.04	21,600	2.72	8.5
	ENH4X43*21**	OMV112K14A	TDR&TXV	35,800	0.78	12.00	14.00				34,200	3.88	21,200	2.64	8.2
	FEA4X36**A*	-	TDR&TXV	34,000	0.78	11.00	13.00				34,000	3.54	21,800	2.46	7.8
	FEM4P36**A*	-	TDR	34,000	0.78	11.00	13.00				34,000	3.60	21,400	2.48	8.0
	FEM4P36**A*+TXV	-	TDR	34,000	0.78	11.00				13.20	34,000	3.60	21,400	2.48	8.0
	FEM4P42**A*	-	TDR	34,000	0.78	11.00	13.20				34,000	3.82	21,400	2.60	8.0
	FEM4P42**A*+TXV	-	TDR	34,000	0.78	11.50				14.00	34,000	3.84	21,400	2.60	8.0
	FEM4X36****	-	TDR&TXV	34,000	0.78	11.50	13.50				33,600	3.78	21,600	2.58	8.0
	FEM4X42****	-	TDR&TXV	34,000	0.78	11.50	13.50				34,000	3.76	21,600	2.56	8.0
	FS(M,U)4P36**A*+TXV	-	TDR	34,000	0.78	11.00				13.20	34,000	3.60	21,600	2.50	7.8
	FS(M,U)4P42**A*	-	TDR	34,000	0.78	11.00	13.00				34,000	3.72	21,800	2.54	7.8
	FS(M,U)4P42**A*+TXV	-	TDR	34,000	0.78	11.00				13.50	33,600	3.72	21,800	2.54	8.0
FS(M,U)4X42****	-	TDR&TXV	34,000	0.78	11.00	13.00				34,000	3.62	22,200	2.48	7.8	
FSM4X36****	-	TDR&TXV	34,000	0.78	11.00	13.00				34,000	3.64	22,200	2.48	7.8	
FVM4X24****	-	TDR&TXV	34,000	0.78	11.50	13.50				33,000	3.64	21,000	2.52	7.8	
FVM4X36****	-	TDR&TXV	34,000	0.78	11.50	14.00				33,000	3.66	20,800	2.56	8.0	
FVM4X48****	-	TDR&TXV	34,200	0.78	12.00	14.50				33,000	3.88	21,000	2.66	8.2	
FXM4X36**A*	-	TDR&TXV	34,000	0.78	12.00	14.50				34,000	3.86	21,400	2.62	8.2	
FXM4X42**A*	-	TDR&TXV	34,000	0.78	12.00	14.50				34,000	3.86	21,400	2.62	8.2	
H4H342GHE	‡FS(M,U)4P42**A*	-	TDR	41,000	0.76	11.00	13.00				40,500	3.68	24,000	2.42	7.8
	ED*4X42F**	*8MPV075	TDR&TXV	40,000	0.76	11.00	13.20				39,000	3.56	23,600	2.38	7.7
	ED*4X42F**	†	TXV	40,000	0.76	11.00			13.00		40,500	3.54	24,200	2.36	7.7

2010 ENERGY STAR compliance for combinations with all three: SEER 14.00 or higher and EER 11.00 or higher and HSPF 8.2 or higher.

† For coils not listed with a matching furnace or blower, coil rating applies with any indoor blower device.

- continued on next page -

COOLING & HEATING PERFORMANCE FOR COMBINATION RATINGS (continued) Indoor Models

For complete ratings information, use the AHRI website directory search: www.AHRIdirectory.org. New ratings may be listed online before Specification Sheets are updated.

Outdoor Model	Indoor Model (‡ tested combo)	Furnace Model	Factory Installed	Cool 95° F (35° C)			SEER			Heat 47° F (8.3° C)		Heat 17° F (-8.3° C)		HSPF	
				BTU/hr	S / T	EER	factory	with field TDR	with field TXV	BTU/hr	COP	BTU/hr	COP		
H4H342GHE (continued)	ED*4X42F**	MV12F19**B*	TDR&TXV	40,000	0.76	11.50	14.00				39,000	3.66	23,000	2.46	7.7
	ED*4X42J**	†	TXV	40,000	0.76	11.00			13.00		40,000	3.54	24,200	2.36	7.7
	ED*4X42J**	*8MPV100	TDR&TXV	40,000	0.76	11.50	14.00				39,000	3.66	23,400	2.44	7.7
	ED*4X42J**	*8MPV125	TDR&TXV	40,000	0.76	11.50	14.00				39,000	3.68	23,400	2.44	7.7
	ED*4X42J**	*8MV*1102120**	TDR&TXV	40,000	0.76	11.50	13.50				39,000	3.60	23,000	2.42	7.7
	ED*4X42J**	*8MX*0902116**	TDR&TXV	40,000	0.76	11.50	14.00				39,000	3.62	23,200	2.42	7.7
	ED*4X42J**	*8MX*1102120**	TDR&TXV	40,000	0.76	11.50	14.00				39,000	3.64	23,000	2.44	7.8
	ED*4X42J**	*9MPV100	TDR&TXV	40,000	0.76	11.50	13.50				39,000	3.62	23,600	2.42	7.7
	ED*4X42J**	*9MVX080	TDR&TXV	40,000	0.76	11.50	13.50				40,000	3.64	23,600	2.42	7.7
	ED*4X42J**	MV16J22**B*	TDR&TXV	40,000	0.76	11.50	14.00				39,000	3.68	23,000	2.46	7.8
	ED*4X42J**	NOMV156E19*	TDR&TXV	39,500	0.76	11.50	13.50				39,000	3.58	23,000	2.40	7.7
	ED*4X42L**	OLV112A16A	TDR&TXV	40,500	0.76	11.00	13.00				40,000	3.58	23,600	2.38	7.7
	ED*4X42L**	†	TXV	40,000	0.76	11.00			13.00		40,000	3.54	24,200	2.36	7.7
	ED*4X42L**	*8MV*1352422**	TDR&TXV	40,000	0.76	11.50	14.00				39,000	3.64	23,000	2.44	7.8
	ED*4X42L**	*8MX*1352420**	TDR&TXV	40,000	0.76	11.50	14.00				39,000	3.64	23,200	2.44	7.8
	ED*4X42L**	*9MPV125	TDR&TXV	40,000	0.76	11.50	13.50				39,000	3.64	23,400	2.44	7.7
	ED*4X42L**	*9MVX100	TDR&TXV	40,000	0.76	11.50	13.50				39,000	3.62	23,200	2.42	7.7
	ED*4X42L**	MV20L24**B*	TDR&TXV	40,000	0.76	11.50	14.00				39,000	3.70	22,800	2.48	7.8
	ED*4X42L**	OLV154F20A	TDR&TXV	41,000	0.76	11.50	13.50				40,000	3.70	23,800	2.46	7.7
	ED*4X48F**	*9MPV075	TDR&TXV	40,000	0.76	11.00	13.20				40,000	3.62	24,000	2.40	7.7
	ED*4X48F**	*9MVX060	TDR&TXV	41,000	0.76	11.00	13.50				40,000	3.66	24,000	2.42	7.7
	ED*4X48F**	†	TXV	41,000	0.76	11.00			13.00		40,000	3.70	24,600	2.42	7.8
	ED*4X48F**	*8MPV075	TDR&TXV	41,000	0.76	11.50	13.50				40,000	3.72	23,800	2.44	7.8
	ED*4X48F**	*8MV*0901716**	TDR&TXV	41,000	0.76	11.50	14.00				39,000	3.74	23,400	2.46	7.8
	ED*4X48F**	*8MX*0701716**	TDR&TXV	41,000	0.76	11.50	13.50				40,000	3.66	24,000	2.42	7.8
	ED*4X48F**	OLV112A16A	TDR&TXV	41,500	0.76	11.50	13.50				40,500	3.70	24,000	2.42	7.7
	ED*4X48F**	OMV112K14A	TDR&TXV	41,000	0.76	11.50	13.50				40,000	3.68	23,800	2.44	7.7
	ED*4X48F**	MV12F19**B*	TDR&TXV	41,000	0.76	12.00	14.50				39,000	3.82	23,400	2.52	8.2
	ED*4X48J**	†	TXV	41,000	0.76	11.00			13.00		40,000	3.66	24,400	2.40	7.7
	ED*4X48J**	*8MPV100	TDR&TXV	41,000	0.76	11.50	14.00				40,000	3.76	23,600	2.48	7.8
	ED*4X48J**	*8MPV125	TDR&TXV	41,000	0.76	11.50	14.00				40,000	3.78	23,400	2.48	7.8
	ED*4X48J**	*8MV*1102120**	TDR&TXV	40,000	0.76	11.50	14.00				39,000	3.70	23,200	2.46	7.8
	ED*4X48J**	*8MX*0902116**	TDR&TXV	41,000	0.76	11.50	14.00				39,000	3.72	23,400	2.46	7.8
	ED*4X48J**	*8MX*1102120**	TDR&TXV	41,000	0.76	11.50	14.00				39,000	3.74	23,200	2.48	7.8
	ED*4X48J**	*9MPV100	TDR&TXV	41,000	0.76	11.50	13.50				40,000	3.72	23,800	2.46	7.8
	ED*4X48J**	*9MVX080	TDR&TXV	41,000	0.76	11.50	13.50				40,000	3.72	23,800	2.46	7.8
	ED*4X48J**	MV16J22**B*	TDR&TXV	41,000	0.76	11.50	14.00				39,000	3.80	23,200	2.52	7.8
	ED*4X48J**	NOMV156E19*	TDR&TXV	40,000	0.76	11.50	14.00				39,000	3.68	23,200	2.44	7.7
	ED*4X48J**	OLV112A16A	TDR&TXV	41,000	0.76	11.50	13.50				40,000	3.66	24,000	2.42	7.7
	ED*4X48L**	†	TXV	41,000	0.76	11.00			13.00		40,000	3.66	24,400	2.40	7.7
ED*4X48L**	*8MV*1352422**	TDR&TXV	41,000	0.76	11.50	14.00				39,000	3.74	23,000	2.48	7.8	
ED*4X48L**	*8MX*1352420**	TDR&TXV	41,000	0.76	11.50	14.00				39,000	3.76	23,400	2.48	7.8	
ED*4X48L**	*9MPV125	TDR&TXV	41,000	0.76	11.50	14.00				40,000	3.76	23,600	2.48	7.8	

2010 ENERGY STAR compliance for combinations with all three: SEER 14.00 or higher and EER 11.00 or higher and HSPF 8.2 or higher.
 † For coils not listed with a matching furnace or blower, coil rating applies with any indoor blower device.

COOLING & HEATING PERFORMANCE FOR COMBINATION RATINGS (continued) Indoor Models

For complete ratings information, use the AHRI website directory search: www.AHRIdirectory.org. New ratings may be listed online before Specification Sheets are updated.

Outdoor Model	Indoor Model (‡ tested combo)	Furnace Model	Factory Installed	Cool 95° F (35° C)			SEER			Heat 47° F (8.3° C)		Heat 17° F (-8.3° C)		HSPF	
				BTU/hr	S / T	EER	factory	with field TDR	with field TXV	BTU/hr	COP	BTU/hr	COP		
H4H342GHE (continued)	ED*4X48L**	*9MVX100	TDR&TXV	41,000	0.76	11.50	14.00				40,000	3.74	23,400	2.46	7.8
	ED*4X48L**	MV20L24**B*	TDR&TXV	41,000	0.76	11.50	14.00				39,000	3.80	23,000	2.52	7.8
	ED*4X48L**	OLV112A16A	TDR&TXV	41,000	0.76	11.50	13.50				40,000	3.68	23,800	2.42	7.7
	ED*4X48L**	OLV154F20A	TDR&TXV	42,000	0.76	11.50	14.00				40,500	3.82	24,000	2.50	7.7
	EHD4X42A**	*8MV*0701412**	TDR&TXV	40,000	0.76	11.00	13.50				39,000	3.64	23,600	2.42	7.8
	EHD4X42A**	*8MX*0701716**	TDR&TXV	40,000	0.76	11.00	13.50				39,000	3.64	24,000	2.40	7.8
	EHD4X42A**	*9MPV075	TDR&TXV	40,000	0.76	11.00	13.20				40,000	3.60	24,000	2.38	7.7
	EHD4X42A**	*9MVX060	TDR&TXV	40,000	0.76	11.00	13.50				40,000	3.64	24,000	2.40	7.7
	EHD4X42A**	OLV112A16A	TDR&TXV	41,500	0.76	11.00	13.50				40,500	3.66	24,000	2.42	7.7
	EHD4X42A**	†	TXV	40,000	0.76	11.00			13.00		40,000	3.66	24,400	2.40	7.7
	EHD4X42A**	*8MPV075	TDR&TXV	40,000	0.76	11.50	13.50				40,000	3.68	23,800	2.44	7.8
	EHD4X42A**	*8MPV100	TDR&TXV	40,000	0.76	11.50	14.00				40,000	3.76	23,600	2.48	7.8
	EHD4X42A**	*8MPV125	TDR&TXV	40,000	0.76	11.50	14.00				40,000	3.78	23,600	2.50	7.8
	EHD4X42A**	*8MV*0901716**	TDR&TXV	40,000	0.76	11.50	14.00				39,000	3.70	23,200	2.46	7.8
	EHD4X42A**	*8MV*1102120**	TDR&TXV	40,000	0.76	11.50	14.00				39,000	3.72	23,400	2.46	7.8
	EHD4X42A**	*8MV*1352422**	TDR&TXV	40,000	0.76	11.50	14.00				39,000	3.74	23,200	2.48	7.8
	EHD4X42A**	*8MX*0902116**	TDR&TXV	40,000	0.76	11.50	14.00				39,000	3.74	23,400	2.48	7.8
	EHD4X42A**	*8MX*1102120**	TDR&TXV	40,000	0.76	11.50	14.00				39,000	3.76	23,200	2.48	7.8
	EHD4X42A**	*8MX*1352420**	TDR&TXV	40,000	0.76	11.50	14.00				39,000	3.74	23,400	2.48	7.8
	EHD4X42A**	*9MPV100	TDR&TXV	40,000	0.76	11.50	14.00				40,000	3.72	23,800	2.46	7.8
	EHD4X42A**	*9MPV125	TDR&TXV	40,000	0.76	11.50	14.00				40,000	3.74	23,600	2.48	7.8
	EHD4X42A**	*9MVX080	TDR&TXV	40,000	0.76	11.50	14.00				40,000	3.74	23,800	2.46	7.8
	EHD4X42A**	*9MVX100	TDR&TXV	40,000	0.76	11.50	14.00				40,000	3.72	23,400	2.46	7.8
	EHD4X42A**	MV12F19**B*	TDR&TXV	40,000	0.76	11.50	14.00				39,000	3.78	23,200	2.52	7.8
	EHD4X42A**	MV16J22**B*	TDR&TXV	40,000	0.76	11.50	14.00				39,000	3.80	23,200	2.52	7.8
	EHD4X42A**	MV20L24**B*	TDR&TXV	40,000	0.76	11.50	14.00				39,000	3.80	23,200	2.52	7.8
	EHD4X42A**	NOMV156E19*	TDR&TXV	40,000	0.76	11.50	14.00				39,000	3.68	23,200	2.46	7.8
	EHD4X42A**	OLV154F20A	TDR&TXV	42,000	0.76	11.50	14.00				40,500	3.80	24,000	2.50	7.7
	EHD4X42A**	OMV112K14A	TDR&TXV	41,000	0.76	11.50	13.50				40,000	3.66	23,600	2.42	7.7
	EHD4X48A**	*9MPV075	TDR&TXV	41,000	0.76	11.00	13.50				40,000	3.62	24,000	2.40	7.7
	EHD4X48A**	†	TXV	41,000	0.76	11.00			13.00		40,000	3.68	24,600	2.42	7.8
	EHD4X48A**	*8MPV075	TDR&TXV	41,000	0.76	11.50	14.00				40,000	3.72	23,800	2.44	7.8
	EHD4X48A**	*8MPV100	TDR&TXV	41,000	0.76	11.50	14.00				40,000	3.80	23,600	2.50	7.8
	EHD4X48A**	*8MPV125	TDR&TXV	41,000	0.76	11.50	14.00				40,000	3.80	23,600	2.50	7.8
	EHD4X48A**	*8MV*0701412**	TDR&TXV	41,000	0.76	11.50	13.50				39,000	3.66	23,600	2.42	7.8
	EHD4X48A**	*8MV*0901716**	TDR&TXV	41,000	0.76	11.50	14.00				39,000	3.72	23,400	2.48	7.8
	EHD4X48A**	*8MV*1102120**	TDR&TXV	41,000	0.76	11.50	14.00				39,000	3.74	23,400	2.48	7.8
	EHD4X48A**	*8MV*1352422**	TDR&TXV	41,000	0.76	11.50	14.00				39,000	3.76	23,200	2.50	7.8
	EHD4X48A**	*8MX*0701716**	TDR&TXV	41,000	0.76	11.50	13.50				40,000	3.66	24,000	2.42	7.8
	EHD4X48A**	*8MX*0902116**	TDR&TXV	41,000	0.76	11.50	14.00				39,000	3.76	23,400	2.48	7.8
EHD4X48A**	*8MX*1102120**	TDR&TXV	41,000	0.76	11.50	14.00				39,000	3.78	23,400	2.50	7.8	
EHD4X48A**	*8MX*1352420**	TDR&TXV	41,000	0.76	11.50	14.00				39,000	3.76	23,400	2.48	7.8	
EHD4X48A**	*9MPV100	TDR&TXV	41,000	0.76	11.50	14.00				40,000	3.76	23,800	2.48	7.8	

2010 ENERGY STAR compliance for combinations with all three: SEER 14.00 or higher and EER 11.00 or higher and HSPF 8.2 or higher.

† For coils not listed with a matching furnace or blower, coil rating applies with any indoor blower device.

- continued on next page -

COOLING & HEATING PERFORMANCE FOR COMBINATION RATINGS (continued) Indoor Models

For complete ratings information, use the AHRI website directory search: www.AHRIdirectory.org. New ratings may be listed online before Specification Sheets are updated.

Outdoor Model	Indoor Model (‡ tested combo)	Furnace Model	Factory Installed	Cool 95° F (35° C)			SEER			Heat 47° F (8.3° C)		Heat 17° F (-8.3° C)		HSPF	
				BTU/hr	S / T	EER	factory	with field TDR	with field TXV	BTU/hr	COP	BTU/hr	COP		
H4H342GHE (continued)	EHD4X48A**	*9MPV125	TDR&TXV	41,000	0.76	11.50	14.00				40,000	3.76	23,600	2.48	7.8
	EHD4X48A**	*9MVX060	TDR&TXV	41,000	0.76	11.50	13.50				40,000	3.66	24,000	2.42	7.7
	EHD4X48A**	*9MVX080	TDR&TXV	41,000	0.76	11.50	14.00				40,000	3.76	23,800	2.48	7.8
	EHD4X48A**	*9MVX100	TDR&TXV	41,000	0.76	11.50	14.00				40,000	3.76	23,600	2.48	7.8
	EHD4X48A**	NOMV156E19*	TDR&TXV	40,000	0.76	11.50	14.00				39,000	3.70	23,200	2.46	7.8
	EHD4X48A**	OLV112A16A	TDR&TXV	41,500	0.76	11.50	13.50				40,500	3.70	24,000	2.44	7.7
	EHD4X48A**	OLV154F20A	TDR&TXV	42,000	0.76	11.50	14.00				40,500	3.84	24,200	2.50	8.0
	EHD4X48A**	OMV112K14A	TDR&TXV	41,500	0.76	11.50	13.50				40,000	3.68	23,600	2.44	7.7
	EHD4X48A**	MV12F19**B*	TDR&TXV	41,000	0.76	12.00	14.50				39,000	3.82	23,200	2.52	8.2
	EHD4X48A**	MV16J22**B*	TDR&TXV	41,000	0.76	12.00	14.50				39,000	3.84	23,200	2.54	8.2
	EHD4X48A**	MV20L24**B*	TDR&TXV	41,000	0.76	12.00	14.50				39,000	3.84	23,200	2.54	8.2
	EMA4X48D**	†	TXV	41,000	0.76	11.00			13.00		40,000	3.60	24,400	2.38	7.7
	EN(A,D)4X43*24**	†	TXV	41,000	0.76	11.00			13.00		40,000	3.74	24,600	2.44	7.8
	EN(A,D)4X43*24**	OLV112A16A	TDR&TXV	42,000	0.76	11.50	13.50				40,500	3.76	24,000	2.46	7.7
	EN(A,D)4X43*24**	*8MV*1352422**	TDR&TXV	41,000	0.76	12.00	14.50				39,000	3.84	23,200	2.54	8.2
	EN(A,D)4X43*24**	*8MX*1352420**	TDR&TXV	41,000	0.76	12.00	14.50				39,500	3.86	23,400	2.54	8.2
	EN(A,D)4X43*24**	*9MPV100	TDR&TXV	42,000	0.76	12.00	14.00				40,500	3.84	23,800	2.52	8.0
	EN(A,D)4X43*24**	*9MPV125	TDR&TXV	42,000	0.76	12.00	14.00				40,000	3.86	23,600	2.52	8.0
	EN(A,D)4X43*24**	*9MVX080	TDR&TXV	42,000	0.76	12.00	14.00				40,500	3.84	24,000	2.52	8.0
	EN(A,D)4X43*24**	*9MVX100	TDR&TXV	42,000	0.76	12.00	14.00				40,000	3.84	23,600	2.52	8.0
	EN(A,D)4X43*24**	OLV154F20A	TDR&TXV	42,000	0.76	12.00	14.00				40,500	3.92	24,000	2.54	8.0
	EN(A,D)4X48*24**	†	TXV	41,000	0.76	11.00			13.00		40,000	3.66	24,400	2.40	7.8
	EN(A,D)4X48*24**	*8MV*1352422**	TDR&TXV	41,000	0.76	11.50	14.00				39,000	3.76	23,200	2.50	7.8
	EN(A,D)4X48*24**	*8MX*1352420**	TDR&TXV	41,000	0.76	11.50	14.00				39,000	3.76	23,400	2.48	7.8
	EN(A,D)4X48*24**	*9MPV100	TDR&TXV	41,500	0.76	11.50	14.00				40,000	3.74	23,800	2.46	7.7
	EN(A,D)4X48*24**	*9MVX080	TDR&TXV	41,500	0.76	11.50	14.00				40,000	3.76	23,800	2.48	7.7
	EN(A,D)4X48*24**	*9MVX100	TDR&TXV	41,500	0.76	11.50	14.00				40,000	3.74	23,400	2.48	7.7
	EN(A,D)4X48*24**	OLV112A16A	TDR&TXV	41,000	0.76	11.50	13.50				40,000	3.68	23,800	2.42	7.7
	EN(A,D)4X48*24**	OLV154F20A	TDR&TXV	42,000	0.76	11.50	14.00				40,500	3.82	24,000	2.50	8.0
	EN(A,D)4X48*24**	*9MPV125	TDR&TXV	41,500	0.76	12.00	14.00				40,000	3.76	23,600	2.48	7.7
	EN(A,D,W)4X42*21**	*8MV*1102120**	TDR&TXV	40,000	0.76	11.00	13.50				39,000	3.60	23,200	2.40	7.7
	EN(A,D,W)4X42*21**	†	TXV	40,000	0.76	11.00			13.00		40,000	3.56	24,200	2.36	7.7
	EN(A,D,W)4X42*21**	*8MX*0902116**	TDR&TXV	40,000	0.76	11.50	13.50				39,000	3.60	23,200	2.42	7.7
	EN(A,D,W)4X42*21**	*8MX*1102120**	TDR&TXV	40,000	0.76	11.50	14.00				39,000	3.62	23,000	2.42	7.7
	EN(A,D,W)4X42*21**	*9MPV100	TDR&TXV	40,500	0.76	11.50	13.50				39,500	3.60	23,600	2.40	7.7
	EN(A,D,W)4X42*21**	*9MVX080	TDR&TXV	40,500	0.76	11.50	13.50				40,000	3.62	23,600	2.40	7.7
	EN(A,D,W)4X42*21**	NOMV156E19*	TDR&TXV	39,500	0.76	11.50	13.50				39,000	3.56	23,000	2.40	7.7
	EN(A,D,W)4X48*21**	*9MPV075	TDR&TXV	41,000	0.76	11.00	13.00				40,500	3.62	24,000	2.40	7.7
	EN(A,D,W)4X48*21**	*9MVX060	TDR&TXV	41,000	0.76	11.00	13.00				40,500	3.64	24,000	2.40	7.7
	EN(A,D,W)4X48*21**	†	TXV	41,000	0.76	11.00			13.00		40,000	3.66	24,400	2.40	7.8
EN(A,D,W)4X48*21**	*8MV*1102120**	TDR&TXV	41,000	0.76	11.50	14.00				39,000	3.72	23,200	2.48	7.8	
EN(A,D,W)4X48*21**	*8MX*0902116**	TDR&TXV	41,000	0.76	11.50	14.00				39,000	3.74	23,400	2.48	7.8	
EN(A,D,W)4X48*21**	*8MX*1102120**	TDR&TXV	41,000	0.76	11.50	14.00				39,000	3.78	23,200	2.50	7.8	

2010 ENERGY STAR compliance for combinations with all three: SEER 14.00 or higher and EER 11.00 or higher and HSPF 8.2 or higher.
 † For coils not listed with a matching furnace or blower, coil rating applies with any indoor blower device.

COOLING & HEATING PERFORMANCE FOR COMBINATION RATINGS (continued) Indoor Models

For complete ratings information, use the AHRI website directory search: www.AHRIdirectory.org. New ratings may be listed online before Specification Sheets are updated.

Outdoor Model	Indoor Model (‡ tested combo)	Furnace Model	Factory Installed	Cool 95° F (35° C)			SEER			Heat 47° F (8.3° C)		Heat 17° F (-8.3° C)		HSPF	
				BTU/hr	S / T	EER	factory	with field TDR	with field TXV	BTU/hr	COP	BTU/hr	COP		
H4H342GHE (continued)	EN(A,D,W)4X48*21**	*9MPV100	TDR&TXV	41,500	0.76	11.50	13.50				40,000	3.74	23,800	2.46	7.7
	EN(A,D,W)4X48*21**	*9MVX080	TDR&TXV	41,500	0.76	11.50	14.00				40,000	3.76	23,800	2.48	7.7
	EN(A,D,W)4X48*21**	NOMV156E19*	TDR&TXV	40,000	0.76	11.50	14.00				39,000	3.70	23,200	2.46	7.8
	EN(A,D,W)4X48*21**	OLV112A16A	TDR&TXV	41,000	0.76	11.50	13.50				40,000	3.68	23,800	2.42	7.7
	EN(A,D,W)4X48*21**	OMV112K14A	TDR&TXV	41,000	0.76	11.50	13.50				40,000	3.68	23,600	2.44	7.7
	END4X42*17**	*8MX*0701716**	TDR&TXV	40,000	0.76	11.00	13.20				39,000	3.56	23,800	2.38	7.7
	END4X42*17**	†	TXV	40,000	0.76	11.00			13.00		40,000	3.60	24,400	2.38	7.8
	END4X42*17**	*8MV*0901716**	TDR&TXV	40,000	0.76	11.50	13.50				39,000	3.64	23,200	2.42	7.8
	END4X42*17**	OMV112K14A	TDR&TXV	40,500	0.76	11.50	13.50				40,000	3.58	23,600	2.40	7.7
	ENH4X42*21**	*8MV*0701412**	TDR&TXV	40,000	0.76	11.00	13.50				39,000	3.52	23,400	2.36	7.7
	ENH4X42*21**	*8MX*0701716**	TDR&TXV	40,000	0.76	11.00	13.20				39,000	3.52	23,800	2.36	7.7
	ENH4X42*21**	†	TXV	40,000	0.76	11.00			13.00		39,000	3.56	24,200	2.36	7.7
	ENH4X42*21**	*8MV*0901716**	TDR&TXV	40,000	0.76	11.50	13.50				39,000	3.58	23,200	2.40	7.7
	ENH4X42*21**	*8MV*1102120**	TDR&TXV	40,000	0.76	11.50	13.50				39,000	3.60	23,200	2.40	7.7
	ENH4X42*21**	*8MV*1352422**	TDR&TXV	40,000	0.76	11.50	14.00				39,000	3.62	23,000	2.42	7.7
	ENH4X42*21**	*8MX*0902116**	TDR&TXV	40,000	0.76	11.50	13.50				39,000	3.60	23,200	2.42	7.7
	ENH4X42*21**	*8MX*1102120**	TDR&TXV	40,000	0.76	11.50	13.50				39,000	3.62	23,000	2.42	7.7
	ENH4X42*21**	*8MX*1352420**	TDR&TXV	40,000	0.76	11.50	13.50				39,000	3.60	23,200	2.42	7.7
	ENH4X42*21**	*9MPV100	TDR&TXV	40,500	0.76	11.50	13.50				39,500	3.60	23,600	2.40	7.7
	ENH4X42*21**	*9MVX080	TDR&TXV	40,500	0.76	11.50	13.50				40,000	3.62	23,600	2.40	7.7
	ENH4X42*21**	NOMV156E19*	TDR&TXV	39,500	0.76	11.50	13.50				39,000	3.56	23,000	2.40	7.7
	ENH4X42*21**	OLV154F20A	TDR&TXV	41,500	0.76	11.50	13.50				40,000	3.68	24,000	2.44	7.7
	ENH4X43*21**	*8MX*0701716**	TDR&TXV	41,000	0.76	11.00	13.50				39,500	3.72	24,000	2.44	7.8
	ENH4X43*21**	†	TXV	41,000	0.76	11.00			13.00		39,000	3.74	24,600	2.44	7.8
	ENH4X43*21**	*8MV*0701412**	TDR&TXV	41,000	0.76	11.50	14.00				39,000	3.72	23,600	2.46	7.8
	ENH4X43*21**	*8MV*0901716**	TDR&TXV	41,000	0.76	11.50	14.00				39,000	3.78	23,400	2.50	7.8
	ENH4X43*21**	*8MV*1102120**	TDR&TXV	41,000	0.76	11.50	14.00				39,000	3.80	23,400	2.50	8.0
	ENH4X43*21**	*8MX*0902116**	TDR&TXV	41,000	0.76	11.50	14.00				39,500	3.82	23,400	2.52	7.8
	ENH4X43*21**	*9MPV075	TDR&TXV	41,500	0.76	11.50	13.50				40,500	3.68	24,200	2.42	7.7
	ENH4X43*21**	*9MVX060	TDR&TXV	41,500	0.76	11.50	13.50				40,500	3.72	24,200	2.44	7.7
	ENH4X43*21**	*9MVX080	TDR&TXV	42,000	0.76	11.50	14.00				40,500	3.82	24,000	2.50	8.0
	ENH4X43*21**	NOMV156E19*	TDR&TXV	40,000	0.76	11.50	14.00				39,000	3.76	23,400	2.48	7.7
	ENH4X43*21**	OLV112A16A	TDR&TXV	42,000	0.76	11.50	13.50				40,500	3.76	24,000	2.46	7.7
	ENH4X43*21**	OMV112K14A	TDR&TXV	41,500	0.76	11.50	14.00				40,000	3.74	23,600	2.46	7.7
	ENH4X43*21**	*8MV*1352422**	TDR&TXV	41,000	0.76	12.00	14.50				39,000	3.84	23,200	2.52	8.2
	ENH4X43*21**	*8MX*1102120**	TDR&TXV	41,000	0.76	12.00	14.50				39,500	3.84	23,400	2.54	8.2
	ENH4X43*21**	*8MX*1352420**	TDR&TXV	41,000	0.76	12.00	14.50				39,500	3.84	23,400	2.52	8.2
	ENH4X43*21**	*9MPV100	TDR&TXV	42,000	0.76	12.00	14.00				40,500	3.82	23,800	2.50	7.7
	ENH4X43*21**	OLV154F20A	TDR&TXV	42,000	0.76	12.00	14.00				40,500	3.90	24,200	2.54	8.0
	ENH4X48*21**	*8MX*0701716**	TDR&TXV	41,000	0.76	11.00	13.50				39,000	3.64	24,000	2.40	7.8
ENH4X48*21**	*9MPV075	TDR&TXV	41,000	0.76	11.00	13.00				40,500	3.62	24,000	2.40	7.7	
ENH4X48*21**	*9MVX060	TDR&TXV	41,000	0.76	11.00	13.50				40,500	3.64	24,000	2.40	7.7	
ENH4X48*21**	†	TXV	41,000	0.76	11.00			13.00		40,000	3.66	24,400	2.40	7.8	

2010 ENERGY STAR compliance for combinations with all three: SEER 14.00 or higher and EER 11.00 or higher and HSPF 8.2 or higher.

† For coils not listed with a matching furnace or blower, coil rating applies with any indoor blower device.

- continued on next page -

COOLING & HEATING PERFORMANCE FOR COMBINATION RATINGS (continued) Indoor Models

For complete ratings information, use the AHRI website directory search: www.AHRIdirectory.org. New ratings may be listed online before Specification Sheets are updated.

Outdoor Model	Indoor Model (‡ tested combo)	Furnace Model	Factory Installed	Cool 95° F (35° C)			SEER			Heat 47° F (8.3° C)		Heat 17° F (-8.3° C)		HSPF	
				BTU/hr	S / T	EER	factory	with field TDR	with field TXV	BTU/hr	COP	BTU/hr	COP		
H4H342GHE (continued)	ENH4X48*21**	*8MV*0701412**	TDR&TXV	40,000	0.76	11.50	13.50				39,000	3.64	23,400	2.42	7.8
	ENH4X48*21**	*8MV*0901716**	TDR&TXV	41,000	0.76	11.50	14.00				39,000	3.70	23,200	2.46	7.8
	ENH4X48*21**	*8MV*1102120**	TDR&TXV	41,000	0.76	11.50	14.00				39,000	3.72	23,200	2.48	7.8
	ENH4X48*21**	*8MV*1352422**	TDR&TXV	41,000	0.76	11.50	14.00				39,000	3.76	23,200	2.50	7.8
	ENH4X48*21**	*8MX*0902116**	TDR&TXV	41,000	0.76	11.50	14.00				39,000	3.74	23,400	2.48	7.8
	ENH4X48*21**	*8MX*1102120**	TDR&TXV	41,000	0.76	11.50	14.00				39,000	3.78	23,200	2.50	7.8
	ENH4X48*21**	*8MX*1352420**	TDR&TXV	41,000	0.76	11.50	14.00				39,000	3.76	23,400	2.48	7.8
	ENH4X48*21**	*9MPV100	TDR&TXV	41,500	0.76	11.50	14.00				40,000	3.74	23,800	2.46	7.7
	ENH4X48*21**	*9MVX080	TDR&TXV	41,500	0.76	11.50	14.00				40,000	3.76	23,800	2.48	7.7
	ENH4X48*21**	*9MVX100	TDR&TXV	41,500	0.76	11.50	14.00				40,000	3.74	23,400	2.48	7.7
	ENH4X48*21**	NOMV156E19*	TDR&TXV	40,000	0.76	11.50	14.00				39,000	3.70	23,200	2.46	7.8
	ENH4X48*21**	OLV112A16A	TDR&TXV	41,000	0.76	11.50	13.50				40,000	3.68	23,800	2.42	7.7
	ENH4X48*21**	OLV154F20A	TDR&TXV	42,000	0.76	11.50	14.00				40,500	3.82	24,000	2.50	8.0
	ENH4X48*21**	OMV112K14A	TDR&TXV	41,000	0.76	11.50	13.50				40,000	3.68	23,600	2.44	7.7
	ENH4X48*21**	*9MPV125	TDR&TXV	41,500	0.76	12.00	14.00				40,000	3.76	23,600	2.48	7.7
	FEM4P42**A*	-	TDR	41,000	0.76	11.00	13.00				40,000	3.72	23,800	2.46	8.0
	FEM4P42**A*+TXV	-	TDR	41,000	0.76	11.50				13.50	40,000	3.72	23,800	2.46	8.0
	FEM4P48**A*	-	TDR	41,000	0.76	11.00	13.20				40,000	3.74	23,600	2.48	8.0
	FEM4P48**A*+TXV	-	TDR	41,000	0.76	11.50				14.00	39,500	3.74	23,600	2.48	8.0
	FEM4X42****	-	TDR&TXV	41,000	0.76	11.50	13.50				39,500	3.70	23,800	2.44	7.8
	FEM4X48****	-	TDR&TXV	41,000	0.76	12.00	14.50				40,000	3.84	23,800	2.52	8.2
	FS(M,U)4P42**A*+TXV	-	TDR	41,000	0.76	11.00				13.50	40,500	3.66	24,000	2.42	7.8
	FS(M,U)4P48**A*	-	TDR	41,000	0.76	11.00	13.20				40,000	3.74	24,200	2.46	7.8
	FS(M,U)4P48**A*+TXV	-	TDR	41,000	0.76	11.00				13.50	40,000	3.74	24,200	2.46	7.8
	FS(M,U)4X42****	-	TDR&TXV	40,000	0.76	11.00	13.00				40,000	3.56	24,400	2.34	7.7
	FS(M,U)4X48****	-	TDR&TXV	41,000	0.76	11.00	13.20				40,000	3.64	24,600	2.40	7.7
	FVM4X36****	-	TDR&TXV	40,000	0.76	11.50	14.00				39,000	3.62	23,000	2.42	7.7
	FVM4X48****	-	TDR&TXV	41,000	0.76	12.00	14.50				39,000	3.82	23,200	2.52	8.2
FXM4X42**A*	-	TDR&TXV	41,000	0.76	11.50	14.00				40,000	3.74	23,800	2.46	8.0	
FXM4X48**A*	-	TDR&TXV	41,000	0.76	12.00	14.50				40,000	3.88	23,800	2.54	8.2	
H4H348GHE H4H348GLE	‡FS(M,U)4P48**A*	-	TDR	47,000	0.76	11.00	13.00				47,500	3.74	30,000	2.62	7.8
	ED*4X48F**	†	TXV	46,000	0.76	11.00			13.00		47,500	3.64	29,800	2.56	7.7
	ED*4X48F**	*8MV*0901716**	TDR&TXV	46,000	0.76	11.50	13.50				46,000	3.68	29,400	2.58	7.7
	ED*4X48J**	*9MPV100	TDR&TXV	46,000	0.76	11.00	13.20				46,000	3.64	29,800	2.56	7.7
	ED*4X48J**	*9MVX080	TDR&TXV	46,000	0.76	11.00	13.20				46,000	3.66	29,800	2.56	7.7
	ED*4X48J**	†	TXV	46,000	0.76	11.00			13.00		47,500	3.66	30,200	2.56	7.7
	ED*4X48J**	*8MPV100	TDR&TXV	46,000	0.76	11.50	13.50				46,000	3.70	29,600	2.60	7.7
	ED*4X48J**	*8MPV125	TDR&TXV	46,000	0.76	11.50	13.50				46,000	3.72	29,400	2.60	7.7
	ED*4X48J**	*8MV*1102120**	TDR&TXV	46,000	0.76	11.50	13.50				46,000	3.66	29,200	2.58	7.7
	ED*4X48J**	*8MX*0902116**	TDR&TXV	46,000	0.76	11.50	13.50				46,000	3.68	29,400	2.58	7.7
	ED*4X48J**	*8MX*1102120**	TDR&TXV	46,000	0.76	11.50	13.50				46,000	3.70	29,000	2.60	7.7
	ED*4X48J**	MV16J22**B*	TDR&TXV	46,000	0.76	11.50	14.00				46,000	3.76	29,000	2.64	7.7
ED*4X48J**	NOMV156E19*	TDR&TXV	46,000	0.76	11.50	13.20				46,000	3.64	29,400	2.56	7.8	

2010 ENERGY STAR compliance for combinations with all three: SEER 14.00 or higher and EER 11.00 or higher and HSPF 8.2 or higher.
 † For coils not listed with a matching furnace or blower, coil rating applies with any indoor blower device.

COOLING & HEATING PERFORMANCE FOR COMBINATION RATINGS (continued) Indoor Models

For complete ratings information, use the AHRI website directory search: www.AHRIdirectory.org. New ratings may be listed online before Specification Sheets are updated.

Outdoor Model	Indoor Model (‡ tested combo)	Furnace Model	Factory Installed	Cool 95° F (35° C)			SEER			Heat 47° F (8.3° C)		Heat 17° F (-8.3° C)		HSPF		
				BTU/hr	S / T	EER	factory	with field TDR	with field TXV	BTU/hr	COP	BTU/hr	COP			
H4H348GHE H4H348GLE (continued)	ED*4X48L**	OLV154F20A	TDR&TXV	47,000	0.76	11.00	13.00				47,500	3.74	30,200	2.60	7.7	
	ED*4X48L**	†	TXV	46,000	0.76	11.00		13.00			47,500	3.66	30,200	2.56	7.7	
	ED*4X48L**	*8MV*1352422**	TDR&TXV	46,000	0.76	11.50	13.50				46,000	3.70	29,000	2.60	7.7	
	ED*4X48L**	*8MX*1352420**	TDR&TXV	46,000	0.76	11.50	13.50				46,000	3.70	29,200	2.60	7.7	
	ED*4X48L**	*9MPV125	TDR&TXV	46,000	0.76	11.50	13.50				46,000	3.68	29,600	2.58	7.7	
	ED*4X48L**	*9MVX100	TDR&TXV	46,000	0.76	11.50	13.50				46,000	3.68	29,600	2.58	7.7	
	ED*4X48L**	MV20L24**B*	TDR&TXV	46,000	0.76	11.50	14.00				46,000	3.78	28,800	2.66	7.8	
	ED*4X60J**	†	TXV	47,000	0.76	11.00			13.00			47,500	3.72	30,400	2.58	7.7
	ED*4X60J**	*8MPV100	TDR&TXV	47,000	0.76	11.50	13.50					46,000	3.76	29,800	2.64	7.8
	ED*4X60J**	*8MPV125	TDR&TXV	47,000	0.76	11.50	13.50					46,000	3.78	29,600	2.64	7.8
	ED*4X60J**	*8MV*1102120**	TDR&TXV	47,000	0.76	11.50	13.50					46,000	3.72	29,400	2.62	7.8
	ED*4X60J**	*8MX*0902116**	TDR&TXV	47,000	0.76	11.50	14.00					46,000	3.74	29,400	2.62	7.8
	ED*4X60J**	*8MX*1102120**	TDR&TXV	47,000	0.76	11.50	14.00					46,000	3.76	29,200	2.66	7.8
	ED*4X60J**	*9MPV100	TDR&TXV	47,000	0.76	11.50	13.50					46,000	3.72	29,800	2.60	7.7
	ED*4X60J**	*9MVX080	TDR&TXV	47,000	0.76	11.50	13.50					46,000	3.72	30,000	2.60	7.7
	ED*4X60J**	MV16J22**B*	TDR&TXV	47,000	0.76	11.50	14.00					46,000	3.82	29,000	2.70	7.8
	ED*4X60J**	NOMV156E19*	TDR&TXV	46,000	0.76	11.50	13.50					46,000	3.68	29,400	2.60	7.7
	ED*4X60L**	†	TXV	47,000	0.76	11.00			13.00			47,500	3.72	30,400	2.58	7.7
	ED*4X60L**	*8MV*1352422**	TDR&TXV	47,000	0.76	11.50	14.00					46,000	3.74	29,200	2.64	7.8
	ED*4X60L**	*8MV*1352422**	TDR&TXV	47,000	0.76	11.50	14.00					46,000	3.74	29,200	2.64	7.8
	ED*4X60L**	*8MX*1352420**	TDR&TXV	47,000	0.76	11.50	14.00					46,000	3.76	29,400	2.64	7.8
	ED*4X60L**	*8MX*1352420**	TDR&TXV	47,000	0.76	11.50	14.00					46,000	3.76	29,400	2.64	7.8
	ED*4X60L**	*9MPV125	TDR&TXV	47,000	0.76	11.50	13.50					46,000	3.74	29,800	2.62	7.7
	ED*4X60L**	*9MVX100	TDR&TXV	47,000	0.76	11.50	13.50					46,000	3.72	29,600	2.62	7.7
	ED*4X60L**	MV20L24**B*	TDR&TXV	47,000	0.76	11.50	14.00					46,000	3.84	29,000	2.70	7.8
	ED*4X60L**	OLV154F20A	TDR&TXV	48,000	0.76	11.50	13.50					48,000	3.80	30,200	2.64	7.7
	EHD4X48A**	OLV154F20A	TDR&TXV	47,500	0.76	11.00	13.00					48,000	3.76	30,400	2.60	7.7
	EHD4X48A**	†	TXV	46,000	0.76	11.00			13.00			47,500	3.72	30,400	2.58	7.8
	EHD4X48A**	*8MPV100	TDR&TXV	46,000	0.76	11.50	13.50					46,000	3.74	29,600	2.60	7.8
	EHD4X48A**	*8MPV125	TDR&TXV	46,000	0.76	11.50	13.50					46,000	3.76	29,600	2.62	7.8
	EHD4X48A**	*8MV*0901716**	TDR&TXV	46,000	0.76	11.50	13.50					46,000	3.68	29,400	2.58	7.7
	EHD4X48A**	*8MV*1102120**	TDR&TXV	46,000	0.76	11.50	13.50					46,000	3.70	29,400	2.60	7.7
	EHD4X48A**	*8MV*1352422**	TDR&TXV	46,000	0.76	11.50	13.50					46,000	3.72	29,200	2.62	7.8
	EHD4X48A**	*8MX*0902116**	TDR&TXV	46,000	0.76	11.50	13.50					46,000	3.72	29,400	2.60	7.8
	EHD4X48A**	*8MX*1102120**	TDR&TXV	46,000	0.76	11.50	14.00					46,000	3.74	29,000	2.62	7.8
	EHD4X48A**	*8MX*1352420**	TDR&TXV	46,000	0.76	11.50	13.50					46,000	3.72	29,200	2.60	7.8
	EHD4X48A**	*9MPV100	TDR&TXV	46,000	0.76	11.50	13.50					46,000	3.68	29,800	2.58	7.7
	EHD4X48A**	*9MPV125	TDR&TXV	46,000	0.76	11.50	13.50					46,000	3.70	29,600	2.60	7.7
	EHD4X48A**	*9MVX080	TDR&TXV	46,000	0.76	11.50	13.50					46,000	3.70	29,800	2.58	7.7
	EHD4X48A**	*9MVX100	TDR&TXV	46,000	0.76	11.50	13.50					46,000	3.70	29,600	2.58	7.7
EHD4X48A**	MV16J22**B*	TDR&TXV	46,000	0.76	11.50	14.00					46,000	3.82	29,000	2.66	7.8	
EHD4X48A**	MV20L24**B*	TDR&TXV	46,000	0.76	11.50	14.00					46,000	3.80	29,000	2.66	7.8	
EHD4X48A**	NOMV156E19*	TDR&TXV	46,000	0.76	11.50	13.50					46,000	3.68	29,400	2.58	7.7	

2010 ENERGY STAR compliance for combinations with all three: SEER 14.00 or higher and EER 11.00 or higher and HSPF 8.2 or higher.

† For coils not listed with a matching furnace or blower, coil rating applies with any indoor blower device.

- continued on next page -

COOLING & HEATING PERFORMANCE FOR COMBINATION RATINGS (continued) Indoor Models

For complete ratings information, use the AHRI website directory search: www.AHRIdirectory.org. New ratings may be listed online before Specification Sheets are updated.

Outdoor Model	Indoor Model (‡ tested combo)	Furnace Model	Factory Installed	Cool 95° F (35° C)			SEER			Heat 47° F (8.3° C)		Heat 17° F (-8.3° C)		HSPF		
				BTU/hr	S / T	EER	factory	with field TDR	with field TXV	BTU/hr	COP	BTU/hr	COP			
H4H348GHE H4H348GLE (continued)	EHD4X60A**	*8MX*0701716**	TDR&TXV	47,000	0.76	11.00	13.00				46,000	3.64	30,400	2.54	7.7	
	EHD4X60A**	OLV112A16A	TDR&TXV	47,000	0.76	11.00	13.00				47,500	3.70	30,000	2.58	7.7	
	EHD4X60A**	†	TXV	47,000	0.76	11.00			13.00			47,500	3.74	30,400	2.60	7.8
	EHD4X60A**	*8MPV100	TDR&TXV	47,000	0.76	11.50	14.00					46,000	3.82	29,800	2.66	7.8
	EHD4X60A**	*8MPV125	TDR&TXV	47,000	0.76	11.50	14.00					46,000	3.84	29,600	2.68	7.8
	EHD4X60A**	*8MV*0901716**	TDR&TXV	47,000	0.76	11.50	14.00					46,000	3.74	29,400	2.62	7.8
	EHD4X60A**	*8MV*1102120**	TDR&TXV	47,000	0.76	11.50	14.00					46,000	3.76	29,200	2.64	7.8
	EHD4X60A**	*8MV*1352422**	TDR&TXV	47,000	0.76	11.50	14.00					46,000	3.78	29,200	2.66	7.8
	EHD4X60A**	*8MX*0902116**	TDR&TXV	47,000	0.76	11.50	14.00					46,000	3.78	29,600	2.64	7.8
	EHD4X60A**	*8MX*1102120**	TDR&TXV	47,000	0.76	11.50	14.00					46,000	3.82	29,200	2.68	7.8
	EHD4X60A**	*8MX*1352420**	TDR&TXV	47,000	0.76	11.50	14.00					46,000	3.80	29,400	2.66	7.8
	EHD4X60A**	*9MPV100	TDR&TXV	47,000	0.76	11.50	13.50					46,000	3.76	30,000	2.62	7.8
	EHD4X60A**	*9MPV125	TDR&TXV	47,000	0.76	11.50	13.50					46,000	3.78	29,800	2.64	7.8
	EHD4X60A**	*9MVX080	TDR&TXV	47,000	0.76	11.50	13.50					46,000	3.78	30,000	2.62	7.8
	EHD4X60A**	*9MVX100	TDR&TXV	47,000	0.76	11.50	13.50					46,000	3.76	29,800	2.62	7.8
	EHD4X60A**	MV16J22**B*	TDR&TXV	47,000	0.76	11.50	14.00					46,000	3.86	29,000	2.70	8.0
	EHD4X60A**	MV20L24**B*	TDR&TXV	47,000	0.76	11.50	14.00					46,000	3.88	29,000	2.72	8.0
	EHD4X60A**	NOMV156E19*	TDR&TXV	47,000	0.76	11.50	13.50					46,000	3.74	29,400	2.62	7.8
	EHD4X60A**	OLV154F20A	TDR&TXV	48,000	0.76	11.50	13.50					48,000	3.84	30,200	2.66	7.7
	EN(A,D)4X48*24**	*9MVX080	TDR&TXV	46,500	0.76	11.00	13.00					47,000	3.68	29,800	2.58	7.7
	EN(A,D)4X48*24**	OLV154F20A	TDR&TXV	47,000	0.76	11.00	13.00					47,500	3.74	30,200	2.60	7.7
	EN(A,D)4X48*24**	†	TXV	46,000	0.76	11.00			13.00			47,500	3.66	30,200	2.56	7.7
	EN(A,D)4X48*24**	*8MV*1352422**	TDR&TXV	46,000	0.76	11.50	13.50					46,000	3.70	29,000	2.62	7.7
	EN(A,D)4X48*24**	*8MX*1352420**	TDR&TXV	46,000	0.76	11.50	13.50					46,000	3.70	29,200	2.60	7.7
	EN(A,D)4X48*24**	*9MPV100	TDR&TXV	46,500	0.76	11.50	13.00					47,000	3.68	29,800	2.58	7.7
	EN(A,D)4X48*24**	*9MPV125	TDR&TXV	46,500	0.76	11.50	13.50					47,000	3.70	29,600	2.58	7.7
	EN(A,D)4X48*24**	*9MVX100	TDR&TXV	46,500	0.76	11.50	13.50					47,000	3.68	29,600	2.58	7.7
	EN(A,D)4X61*24**	†	TXV	47,000	0.76	11.00			13.00			47,500	3.78	30,600	2.62	7.8
	EN(A,D)4X61*24**	*8MV*1352422**	TDR&TXV	47,000	0.76	11.50	14.00					46,000	3.84	29,200	2.68	7.8
	EN(A,D)4X61*24**	*8MX*1352420**	TDR&TXV	47,000	0.76	11.50	14.00					46,000	3.86	29,600	2.68	8.0
	EN(A,D)4X61*24**	*9MPV100	TDR&TXV	48,000	0.76	11.50	13.50					47,500	3.82	30,000	2.64	7.7
	EN(A,D)4X61*24**	*9MVX080	TDR&TXV	48,000	0.76	11.50	13.50					47,500	3.82	30,000	2.64	7.7
	EN(A,D)4X61*24**	OLV112A16A	TDR&TXV	47,500	0.76	11.50	13.50					47,500	3.74	30,200	2.60	7.7
	EN(A,D)4X61*24**	OLV154F20A	TDR&TXV	48,000	0.76	11.50	13.50					48,000	3.88	30,400	2.66	7.7
	EN(A,D)4X61*24**	*9MPV125	TDR&TXV	48,000	0.76	12.00	14.00					47,500	3.82	29,800	2.66	7.7
	EN(A,D)4X61*24**	*9MVX100	TDR&TXV	48,000	0.76	12.00	14.00					47,500	3.82	29,800	2.64	7.7
	EN(A,D,W)4X48*21**	†	TXV	46,000	0.76	11.00			13.00			47,500	3.66	30,200	2.56	7.7
	EN(A,D,W)4X48*21**	*8MV*1102120**	TDR&TXV	46,000	0.76	11.50	13.50					46,000	3.68	29,200	2.60	7.7
	EN(A,D,W)4X48*21**	*8MX*0902116**	TDR&TXV	46,000	0.76	11.50	13.50					46,000	3.70	29,400	2.60	7.7
	EN(A,D,W)4X48*21**	*8MX*1102120**	TDR&TXV	46,000	0.76	11.50	13.50					46,000	3.72	29,000	2.62	7.8
EN(A,D,W)4X48*21**	*9MPV100	TDR&TXV	46,500	0.76	11.50	13.00					47,000	3.68	29,800	2.58	7.7	
EN(A,D,W)4X48*21**	*9MVX080	TDR&TXV	46,500	0.76	11.50	13.00					47,000	3.68	29,800	2.58	7.7	
EN(A,D,W)4X48*21**	NOMV156E19*	TDR&TXV	46,000	0.76	11.50	13.50					46,000	3.66	29,200	2.58	7.7	

2010 ENERGY STAR compliance for combinations with all three: SEER 14.00 or higher and EER 11.00 or higher and HSPF 8.2 or higher.
 † For coils not listed with a matching furnace or blower, coil rating applies with any indoor blower device.

COOLING & HEATING PERFORMANCE FOR COMBINATION RATINGS (continued) Indoor Models

For complete ratings information, use the AHRI website directory search: www.AHRIdirectory.org. New ratings may be listed online before Specification Sheets are updated.

Outdoor Model	Indoor Model (‡ tested combo)	Furnace Model	Factory Installed	Cool 95° F (35° C)			SEER			Heat 47° F (8.3° C)		Heat 17° F (-8.3° C)		HSPF
				BTU/hr	S / T	EER	factory	with field TDR	with field TXV	BTU/hr	COP	BTU/hr	COP	
H4H348GHE H4H348GLE (continued)	EN(A,D,W)4X60*24**	†	TXV	47,000	0.76	11.00		13.00		47,500	3.70	30,400	2.58	7.8
	EN(A,D,W)4X60*24**	*8MV*1352422**	TDR&TXV	47,000	0.76	11.50	14.00			46,000	3.74	29,000	2.64	7.8
	EN(A,D,W)4X60*24**	*8MX*1352420**	TDR&TXV	47,000	0.76	11.50	14.00			46,000	3.76	29,400	2.64	7.8
	EN(A,D,W)4X60*24**	*9MPV100	TDR&TXV	47,500	0.76	11.50	13.50			47,500	3.72	29,800	2.60	7.7
	EN(A,D,W)4X60*24**	*9MPV125	TDR&TXV	47,500	0.76	11.50	13.50			47,000	3.74	29,800	2.62	7.7
	EN(A,D,W)4X60*24**	*9MVX080	TDR&TXV	47,500	0.76	11.50	13.50			47,500	3.72	30,000	2.60	7.7
	EN(A,D,W)4X60*24**	*9MVX100	TDR&TXV	47,000	0.76	11.50	13.50			47,000	3.72	29,600	2.62	7.7
	EN(A,D,W)4X60*24**	OLV154F20A	TDR&TXV	48,000	0.76	11.50	13.50			48,000	3.80	30,200	2.64	7.7
	ENH4X48*21**	*9MVX080	TDR&TXV	46,500	0.76	11.00	13.00			47,000	3.68	29,800	2.58	7.7
	ENH4X48*21**	†	TXV	46,000	0.76	11.00		13.00		47,500	3.66	30,200	2.56	7.7
	ENH4X48*21**	*8MV*0901716**	TDR&TXV	46,000	0.76	11.50	13.50			46,000	3.66	29,200	2.58	7.7
	ENH4X48*21**	*8MV*1102120**	TDR&TXV	46,000	0.76	11.50	13.50			46,000	3.68	29,200	2.60	7.7
	ENH4X48*21**	*8MV*1352422**	TDR&TXV	46,000	0.76	11.50	13.50			46,000	3.70	29,000	2.62	7.7
	ENH4X48*21**	*8MX*0902116**	TDR&TXV	46,000	0.76	11.50	13.50			46,000	3.70	29,400	2.60	7.7
	ENH4X48*21**	*8MX*1102120**	TDR&TXV	46,000	0.76	11.50	14.00			46,000	3.72	29,000	2.62	7.8
	ENH4X48*21**	*8MX*1352420**	TDR&TXV	46,000	0.76	11.50	13.50			46,000	3.70	29,200	2.60	7.7
	ENH4X48*21**	*9MPV100	TDR&TXV	46,500	0.76	11.50	13.00			47,000	3.68	29,800	2.58	7.7
	ENH4X48*21**	*9MPV125	TDR&TXV	46,500	0.76	11.50	13.50			47,000	3.70	29,600	2.58	7.7
	ENH4X48*21**	*9MVX100	TDR&TXV	46,500	0.76	11.50	13.50			47,000	3.68	29,600	2.58	7.7
	ENH4X48*21**	NOMV156E19*	TDR&TXV	46,000	0.76	11.50	13.50			46,000	3.66	29,200	2.58	7.7
	ENH4X48*21**	OLV154F20A	TDR&TXV	47,000	0.76	11.50	13.00			47,500	3.74	30,200	2.60	7.7
	ENH4X60*24**	*8MX*0701716**	TDR&TXV	47,000	0.76	11.00	13.00			46,000	3.60	30,400	2.54	7.7
	ENH4X60*24**	†	TXV	47,000	0.76	11.00		13.00		47,500	3.70	30,400	2.58	7.8
	ENH4X60*24**	*8MV*0901716**	TDR&TXV	47,000	0.76	11.50	13.50			46,000	3.70	29,200	2.62	7.7
	ENH4X60*24**	*8MV*1102120**	TDR&TXV	47,000	0.76	11.50	14.00			46,000	3.72	29,200	2.62	7.8
	ENH4X60*24**	*8MV*1352422**	TDR&TXV	47,000	0.76	11.50	14.00			46,000	3.74	29,000	2.64	7.8
	ENH4X60*24**	*8MX*0902116**	TDR&TXV	47,000	0.76	11.50	13.50			46,000	3.74	29,400	2.64	7.8
	ENH4X60*24**	*8MX*1102120**	TDR&TXV	47,000	0.76	11.50	14.00			46,000	3.78	29,200	2.66	7.8
	ENH4X60*24**	*8MX*1352420**	TDR&TXV	47,000	0.76	11.50	14.00			46,000	3.76	29,400	2.64	7.8
	ENH4X60*24**	*9MPV100	TDR&TXV	47,500	0.76	11.50	13.50			47,500	3.72	29,800	2.60	7.7
	ENH4X60*24**	*9MVX080	TDR&TXV	47,500	0.76	11.50	13.50			47,500	3.72	30,000	2.60	7.7
	ENH4X60*24**	*9MVX100	TDR&TXV	47,000	0.76	11.50	13.50			47,000	3.72	29,600	2.62	7.7
	ENH4X60*24**	NOMV156E19*	TDR&TXV	46,000	0.76	11.50	13.50			46,000	3.70	29,400	2.62	7.7
ENH4X60*24**	OLV154F20A	TDR&TXV	48,000	0.76	11.50	13.50			48,000	3.80	30,200	2.64	7.7	
ENH4X60*24**	*9MPV125	TDR&TXV	47,500	0.76	12.00	13.50			47,000	3.74	29,800	2.62	7.7	
ENH4X61*24**	*8MX*0701716**	TDR&TXV	47,000	0.76	11.00	13.00			46,000	3.64	30,400	2.54	7.7	
ENH4X61*24**	†	TXV	47,000	0.76	11.00		13.00		47,500	3.76	30,400	2.60	7.8	
ENH4X61*24**	*8MV*0901716**	TDR&TXV	47,000	0.76	11.50	13.50			46,000	3.74	29,400	2.62	7.8	
ENH4X61*24**	*8MV*1102120**	TDR&TXV	47,000	0.76	11.50	14.00			46,000	3.76	29,400	2.64	7.8	
ENH4X61*24**	*8MV*1352422**	TDR&TXV	47,000	0.76	11.50	14.00			46,000	3.78	29,200	2.66	7.8	
ENH4X61*24**	*8MX*0902116**	TDR&TXV	47,000	0.76	11.50	14.00			46,000	3.78	29,600	2.64	7.8	
ENH4X61*24**	*8MX*1102120**	TDR&TXV	47,000	0.76	11.50	14.00			46,000	3.80	29,200	2.66	7.8	
ENH4X61*24**	*8MX*1352420**	TDR&TXV	47,000	0.76	11.50	14.00			46,000	3.78	29,400	2.64	7.8	

2010 ENERGY STAR compliance for combinations with all three: SEER 14.00 or higher and EER 11.00 or higher and HSPF 8.2 or higher.

† For coils not listed with a matching furnace or blower, coil rating applies with any indoor blower device.

- continued on next page -

COOLING & HEATING PERFORMANCE FOR COMBINATION RATINGS (continued) Indoor Models

For complete ratings information, use the AHRI website directory search: www.AHRIdirectory.org. New ratings may be listed online before Specification Sheets are updated.

Outdoor Model	Indoor Model (‡ tested combo)	Furnace Model	Factory Installed	Cool 95° F (35° C)			SEER			Heat 47° F (8.3° C)		Heat 17° F (-8.3° C)		HSPF	
				BTU/hr	S / T	EER	factory	with field TDR	with field TXV	BTU/hr	COP	BTU/hr	COP		
H4H348GHE H4H348GLE (continued)	ENH4X61*24**	*9MPV100	TDR&TXV	47,500	0.76	11.50	13.50				47,500	3.76	30,000	2.62	7.7
	ENH4X61*24**	*9MPV125	TDR&TXV	47,500	0.76	11.50	13.50				47,500	3.78	29,800	2.62	7.7
	ENH4X61*24**	*9MVX080	TDR&TXV	47,500	0.76	11.50	13.50				47,500	3.76	30,000	2.62	7.7
	ENH4X61*24**	*9MVX100	TDR&TXV	47,500	0.76	11.50	13.50				47,000	3.76	29,600	2.62	7.7
	ENH4X61*24**	NOMV156E19*	TDR&TXV	47,000	0.76	11.50	13.50				46,000	3.72	29,400	2.62	7.8
	ENH4X61*24**	OLV154F20A	TDR&TXV	48,000	0.76	11.50	13.50				48,000	3.84	30,400	2.64	7.7
	FEM4P48**A*	-	TDR	46,000	0.76	11.00	13.00				46,000	3.66	29,800	2.58	7.8
	FEM4P48**A*+TXV	-	TDR	46,000	0.76	11.00				13.50	46,000	3.68	29,800	2.58	7.8
	FEM4P60**A*	-	TDR	47,000	0.76	11.00	13.20				47,000	3.78	29,800	2.64	7.8
	FEM4P60**A*+TXV	-	TDR	47,000	0.76	11.50				14.00	47,000	3.78	29,800	2.64	7.8
	FEM4X48****	-	TDR&TXV	47,000	0.76	11.50	13.50				47,500	3.78	29,800	2.64	7.8
	FEM4X60****	-	TDR&TXV	47,000	0.76	11.50	14.00				47,000	3.90	29,800	2.70	7.8
	FS(M,U)4P48**A*+TXV	-	TDR	47,000	0.76	11.00				13.50	46,000	3.74	30,000	2.62	7.8
	FS(M,U)4X48****	-	TDR&TXV	46,000	0.76	11.00	13.00				46,000	3.62	30,600	2.54	7.7
	FS(M,U)4X60**A*	-	TDR&TXV	47,000	0.76	11.00	13.20				47,500	3.72	30,600	2.56	7.8
	FVM4X48****	-	TDR&TXV	46,000	0.76	11.50	14.00				46,000	3.76	29,000	2.66	7.8
	FVM4X60****	-	TDR&TXV	47,000	0.76	12.00	14.50				46,000	3.88	29,000	2.72	8.2
	FXM4X48**A*	-	TDR&TXV	47,000	0.76	11.50	14.00				46,000	3.82	29,600	2.68	8.0
	FXM4X60**A*	-	TDR&TXV	47,000	0.76	12.00	14.50				47,000	3.94	29,800	2.72	8.2
	H4H360GHD H4H360GLD	‡FS(M,U)4X60****	-	TDR&TXV	58,500	0.75	10.80	13.00				58,000	3.52	37,000	2.50
ED*4X60J**		†	TXV	58,000	0.75	10.80			13.00		57,500	3.52	36,600	2.50	7.7
ED*4X60J**		*8MPV125	TDR&TXV	58,500	0.75	11.00	13.20				57,500	3.56	36,600	2.54	7.7
ED*4X60J**		*8MV*1102120**	TDR&TXV	58,000	0.75	11.00	13.20				57,500	3.52	36,400	2.52	7.7
ED*4X60J**		*8MX*0902116**	TDR&TXV	58,000	0.75	11.00	13.00				57,000	3.50	36,200	2.52	7.7
ED*4X60J**		*8MX*1102120**	TDR&TXV	58,500	0.75	11.00	13.50				57,000	3.56	36,200	2.54	7.7
ED*4X60J**		MV16J22**B*	TDR&TXV	59,000	0.75	11.00	13.50				57,000	3.62	36,000	2.58	7.8
ED*4X60L**		†	TXV	58,000	0.75	10.80			13.00		57,500	3.52	36,600	2.50	7.7
ED*4X60L**		*8MV*1352422**	TDR&TXV	58,000	0.75	11.00	13.20				57,000	3.54	36,200	2.54	7.7
ED*4X60L**		*8MX*1352420**	TDR&TXV	58,000	0.75	11.00	13.00				57,000	3.50	36,200	2.52	7.7
ED*4X60L**		MV20L24**B*	TDR&TXV	59,000	0.75	11.00	13.50				57,000	3.62	36,000	2.58	7.8
EHD4X60A**		†	TXV	58,500	0.75	10.80			13.00		58,000	3.54	36,600	2.52	7.7
EHD4X60A**		*8MPV125	TDR&TXV	58,500	0.75	11.00	13.20				58,500	3.60	36,600	2.54	7.7
EHD4X60A**		*8MV*1102120**	TDR&TXV	58,500	0.75	11.00	13.20				58,000	3.54	36,400	2.54	7.7
EHD4X60A**		*8MX*0902116**	TDR&TXV	58,000	0.75	11.00	13.00				57,500	3.52	36,200	2.52	7.7
EHD4X60A**		*8MX*1102120**	TDR&TXV	58,500	0.75	11.00	13.50				57,500	3.58	36,200	2.56	7.7
EHD4X60A**		*8MX*1352420**	TDR&TXV	58,500	0.75	11.00	13.00				57,500	3.54	36,200	2.54	7.7
EHD4X60A**		*8MV*1352422**	TDR&TXV	58,500	0.75	11.20	13.50				57,500	3.58	36,200	2.56	7.7

2010 ENERGY STAR compliance for combinations with all three: SEER 14.00 or higher and EER 11.00 or higher and HSPF 8.2 or higher.

† For coils not listed with a matching furnace or blower, coil rating applies with any indoor blower device.

- continued on next page -

COOLING & HEATING PERFORMANCE FOR COMBINATION RATINGS (continued) Indoor Models

For complete ratings information, use the AHRI website directory search: www.AHRIdirectory.org. New ratings may be listed online before Specification Sheets are updated.

Outdoor Model	Indoor Model (‡ tested combo)	Furnace Model	Factory Installed	Cool 95° F (35° C)			SEER			Heat 47° F (8.3° C)		Heat 17° F (-8.3° C)		HSPF
				BTU/hr	S / T	EER	factory	with field TDR	with field TXV	BTU/hr	COP	BTU/hr	COP	
H4H360GHD H4H360GLD (continued)	EHD4X60A**	MV16J22**B*	TDR&TXV	59,000	0.75	11.50	13.50			57,500	3.66	36,000	2.60	7.9
	EHD4X60A**	MV20L24**B*	TDR&TXV	59,000	0.75	11.50	13.50			57,500	3.66	36,000	2.60	7.9
	EN(A,D)4X61*24**	†	TXV	59,000	0.75	11.00		13.00		58,000	3.60	36,800	2.54	7.7
	EN(A,D)4X61*24**	*8MV*1352422**	TDR&TXV	59,000	0.75	11.20	13.50			57,500	3.64	36,200	2.58	7.7
	EN(A,D)4X61*24**	*8MX*1352420**	TDR&TXV	59,000	0.75	11.20	13.50			57,500	3.62	36,200	2.56	7.7
	EN(A,D,W)4X60*24**	†	TXV	58,000	0.75	10.80		13.00		58,000	3.46	36,600	2.50	7.7
	EN(A,D,W)4X60*24**	*8MV*1352422**	TDR&TXV	58,000	0.75	11.00	13.20			57,500	3.48	36,000	2.54	7.7
	EN(A,D,W)4X60*24**	*8MX*1352420**	TDR&TXV	58,000	0.75	11.00	13.00			57,500	3.46	36,000	2.52	7.7
	ENH4X60*24**	†	TXV	58,000	0.75	10.80		13.00		58,000	3.46	36,600	2.50	7.7
	ENH4X60*24**	*8MV*1102120**	TDR&TXV	58,000	0.75	11.00	13.20			57,500	3.46	36,200	2.50	7.7
	ENH4X60*24**	*8MV*1352422**	TDR&TXV	58,000	0.75	11.00	13.20			57,500	3.48	36,000	2.54	7.7
	ENH4X60*24**	*8MX*0902116**	TDR&TXV	57,500	0.75	11.00	13.00			57,500	3.44	36,200	2.50	7.7
	ENH4X60*24**	*8MX*1102120**	TDR&TXV	58,000	0.75	11.00	13.50			57,500	3.50	36,000	2.54	7.7
	ENH4X60*24**	*8MX*1352420**	TDR&TXV	58,000	0.75	11.00	13.00			57,500	3.46	36,000	2.52	7.7
	ENH4X61*24**	*8MV*1102120**	TDR&TXV	58,500	0.75	11.00	13.00			57,500	3.54	36,600	2.52	7.7
	ENH4X61*24**	*8MV*1352422**	TDR&TXV	58,500	0.75	11.00	13.00			57,000	3.58	36,200	2.56	7.7
	ENH4X61*24**	*8MX*1352420**	TDR&TXV	58,000	0.75	11.00	13.00			57,000	3.54	36,200	2.54	7.7
	ENH4X61*24**	†	TXV	58,500	0.75	11.00		13.00		57,500	3.56	36,800	2.52	7.7
	ENH4X61*24**	*8MX*1102120**	TDR&TXV	58,500	0.75	11.20	13.50			57,000	3.58	36,200	2.56	7.7
	FEM4X60****	-	TDR&TXV	59,000	0.75	11.20	13.50			57,000	3.66	36,200	2.58	7.7
FS(M,U)4X60**A*	-	TDR&TXV	58,500	0.75	10.80	13.00			58,000	3.52	37,000	2.50	7.7	
FVM4X60****	-	TDR&TXV	59,500	0.75	11.50	14.00			57,000	3.68	36,000	2.60	8.0	
FXM4X60**A*	-	TDR&TXV	59,000	0.75	11.50	13.50			57,000	3.68	36,000	2.60	7.8	

2010 ENERGY STAR compliance for combinations with all three: SEER 14.00 or higher and EER 11.00 or higher and HSPF 8.2 or higher.
 † For coils not listed with a matching furnace or blower, coil rating applies with any indoor blower device.



This product has been designed and manufactured to meet ENERGY STAR criteria for energy efficiency when matched with appropriate coil components. However, proper refrigerant charge and proper air flow are critical to achieve rated capacity and efficiency. Installation of this product should follow the manufacturer's refrigerant charging and air flow instructions. Failure to confirm proper charge and airflow may reduce energy efficiency and shorten equipment life.

ACCESSORY USAGE GUIDELINES			
Accessory	REQUIRED FOR APPLICATIONS IN SNOW-BELT REGION	REQUIRED FOR LOW-AMBIENT APPLICATIONS {Below 55°F (13°C)}	REQUIRED FOR LONG-LINE APPLICATIONS* {Over 80 Ft. (24.4m)}
Evaporator Freeze Thermostat	No	Yes	No
Accumulator	Standard (factory installed)	Standard (factory installed)	Standard (factory installed)
Support Feet, 4" (102mm) tall	Yes	Recommended	No
Liquid Line Solenoid Valve	No	No	See Long-Line Application Guideline

* For Line Set lengths between 80 and 200 ft (24.4 and 61m) horizontal. or more than 20 ft (6.1m) indoor-outdoor vertical separation, refer to the Long Line Application Guideline document.

ACCESSORIES		
Part Number	Description	Used On Model Size
NASA001FS	Evaporator Freeze Thermostat	ALL
NASA001LS	Liquid Line Solenoid Valve, HP, R-22 or R-410A	ALL
NASA001TD	Time Delay Relay, Indoor Blower	ALL
NASA001AC	Anti-Cycle Timer (5 minute delay)	ALL
NASA001SF	Support Feet, 4" (102mm) tall	ALL
NASA00106SS	Snow Stand Kit	ALL
AXWR01DFC	Fossil Fuel Kit	ALL
EBAC06TXVX	TXV Kit, R-410A - 2005-2009 R-22 TXV Fancoils (air handlers)	30, 36, 42, 48
EBAC07TXVX	TXV Kit, R-410A - 2005-2009 R-22 TXV Fancoils (air handlers)	60
NAEA40601TX	TXV Kit, R-410A - 2010 and later Piston Coils	30, 36, 42, 48
NAEA40701TX	TXV Kit, R-410A - 2010 and later Piston Coils	60

International Comfort Products, LLC
 Lewisburg, Tennessee 37091 USA
www.GoHeil.com