



**2021**

# Commercial Condensed Catalog



**401 39 2205 21**

March 2021

© 2021 Carrier  
Lewisburg, TN USA

# MODEL NOMENCLATURE COMMERCIAL

# SMALL PACKAGE UNITS

MODEL NOMENCLATURE											
MODEL SERIES	1	2	3	4	5,6	7,8,9	10	11,12	13	14	15
	<b>P</b>	<b>G</b>	<b>D</b>	<b>4</b>	<b>36</b>	<b>090</b>	<b>K</b>	<b>00</b>	<b>0</b>	<b>E</b>	<b>1</b>
<p>P = Package</p> <p>G = Gas/Electric</p> <p>D = Standard</p> <p>S = Mainline w/ SS HX</p> <p>4 = 14</p> <p>5 = 15</p> <p>24 = 24,000 BTUH = 2 Tons</p> <p>30 = 30,000 BTUH = 2.5 Tons</p> <p>36 = 36,000 BTUH = 3 Tons</p> <p>42 = 42,000 BTUH = 3.5 Tons</p> <p>48 = 48,000 BTUH = 4 Tons</p> <p>60 = 60,000 BTUH = 5 Tons</p> <p>000 = no factory heat</p> <p>040 = 40,000 BTU/hr</p> <p>060 = 60,000 BTU/hr</p> <p>090 = 90,000 BTU/hr</p> <p>115 = 115,000 BTU/hr</p> <p>130 = 127,000 or 130,000 BTU/hr</p> <p>K = 208/230-1-60</p> <p>H = 208/230-3-60</p> <p>L = 460-3-60</p> <p>00 = No options</p> <p>TP = Tin Coated Copper Evap Main Tubes (single phase)</p> <p>GC = Low Cabinet Air Leakage plus Tin Coated Copper Evap Main Tubes (PGS4)</p> <p>GP = Tin Coated Copper Evap Main Tubes plus Stainless Steel Heat Exchanger (single phase)</p> <p>LC = Low Cabinet Air Leakage plus Tin Coated Copper Evap Main Tubes (PGD4)</p> <p>0 = Standard</p> <p>1 = Low NOx</p> <p>2 = Ultra Low NOx</p> <p>Sales Model Digit</p> <p>Engineering Digit</p>											
<b>TYPE</b>											
<b>TIER</b>											
<b>SEER</b>											
<b>NOMINAL COOLING CAPACITY</b>											
<b>NOMINAL HEATING BTUH (input)</b>											
<b>VOLTAGE</b>											
<b>FACTORY INSTALLED OPTIONS</b>											
<b>FEATURE CODE</b>											

## COMMERCIAL SPLIT SYSTEM UNITS (3-5 Ton, Three-Phase)

OUTDOOR UNIT MODEL NUMBER IDENTIFICATION GUIDE (single phase)											
Digit Position:	1	2	3	4	5, 6	7	8	9	10	11	12
Example Part Number:	<b>N</b>	<b>4</b>	<b>H</b>	<b>4</b>	<b>18</b>	<b>G</b>	<b>K</b>	<b>P</b>	<b>1</b>	<b>0</b>	<b>1</b>
N = Heil Entry	<b>BRANDING</b>										
4 = R-410A	<b>REFRIGERANT</b>										
H = Heat Pump			<b>TYPE</b>								
4 = 14 SEER			<b>NOMINAL EFFICIENCY</b>								
18 = 18,000 BTUH = 1½ tons											
24 = 24,000 BTUH = 2 tons											
30 = 30,000 BTUH = 2½ tons											
36 = 36,000 BTUH = 3 tons											
42 = 42,000 BTUH = 3½ tons											
48 = 48,000 BTUH = 4 tons											
60 = 60,000 BTUH = 5 tons				<b>NOMINAL CAPACITY</b>							
G = Coil Guard Grille, 3/8 (10mm) spacing L = Aluminum Coil						<b>VARIATIONS</b>					
K = 208-230-1-60 H = 208/230-3-60 L = 460-3-60							<b>VOLTAGE</b>				
Major Series or Variation (P = no HPS)											
Minor Series											
Extra Digit											
Extra Digit											

## RGW MODEL NUMBER NOMENCLATURE

MODEL SERIES	R	G	W	0	6	0	L	D	D	A	0	A	A	A
Position Number	1	2	3	4	5	6	7	8	9	10	11	12	13	14
R = Rooftop														
G = Gas Heat / Electric Cooling	Type													
W = 16 SEER Efficiency	High Efficiency													
036 = 36,000 BTUH = 3 Tons 048 = 48,000 BTUH = 4 Tons 060 = 60,000 BTUH = 5 Tons	Nominal Cooling Capacity													
K = 208/230-1-60 H = 208/230-3-60 L = 460-3-60 S = 575-3-60	Voltage													
D = Low Heat E = Medium Heat F = High Heat L = Low NOx, Low Heat	S = Low Heat, Stainless Steel Heat Exchanger R = Medium Heat, Stainless Steel Heat Exchanger T = High Heat, Stainless Steel Heat Exchanger Heating Capacity <sup>1</sup>													
D = Direct Drive X-Vane™ Fan – Standard Static E = Direct Drive X-Vane Fan – High Static F = Direct Drive X-Vane Fan – Medium Static G = Direct Drive X-Vane Fan – High Static with Hot Gas Re-Heat <sup>2</sup>	Motor Option (Indoor Fan)													
A = None B = Economizer with Barometric relief, OA Temp sensor E = Economizer with Barometric relief + CO <sub>2</sub> sensor, OA Temp sensor H = Economizer with Barometric relief, enthalpy sensor L = Economizer with Barometric relief + CO <sub>2</sub> sensor, enthalpy sensor U = Temp Ultra Low Leak Economizer with Barometric relief W = Enthalpy Ultra Low Leak Economizer with Barometric relief	Outdoor Air Options / Control <sup>3</sup>													
0A = No Options 4B = Non Fused Disconnect Switch AA = Hinged Access Panels AT = Un-Powered Convenience Outlet BB = Powered Convenience Outlet BP = Return Air Smoke Detector BR = Supply Air Smoke Detector CJ = Condensate Overflow Switch	Factory Installed Options <sup>4</sup>													
A = Aluminum / Copper Cond & Evap Coil B = Precoat Alum/Copper Cond with Alum / Copper Evap (3 phase only) C = E-Coated Alum/Copper Cond with Alum / Copper Evap (3 phase only) D = E-Coated Alum / Copper Cond & Evap (3 phase only) E = Copper/Copper Cond & Alum/Copper Evap (3 phase only) F = Copper/Copper Cond & Evap (3 phase only)	Condenser / Evaporator Coil Configuration													
A = Economizer controls for (W7212) for EconoMiZer® IV and all others (except factory-installed EconoMiZer X) B = Economizer control (W7220) for EconoMiZer X	Economizer Control													

NOTE: On single phase (K voltage code) models the following are not available as factory-installed options:

- Coated or copper fin coils
- Economizers and 2-position damper
- Powered convenience outlet
- Hot Gas Re-Heat

<sup>1</sup>See Specification Sheet for actual heating capacities.

<sup>2</sup>Hot Gas Re-Heat system includes Low Ambient controller.

<sup>3</sup>See Specification Sheet for details.

<sup>4</sup>Combinations of factory-installed options are available, see Specifications Sheet for details.

# RAW MODEL NUMBER NOMENCLATURE

MODEL SERIES	R	A	W	0	6	0	L	0	D	A	0	A	A	A
Position Number	1	2	3	4	5	6	7	8	9	10	11	12	13	14
R = Rooftop														
A = Electric/Electric, Cooling Only <span style="float: right;">Type</span>														
W= 16 SEER <span style="float: right;">High Efficiency</span>														
036 = 36,000 BTUH = 3 Tons 048 = 48,000 BTUH = 4 Tons 060 = 60,000 BTUH = 5 Tons <span style="float: right;">Nominal Cooling Capacity</span>														
K = 208/230-1-60 H = 208/230-3-60 L = 460-3-60 <span style="float: right;">Voltage</span> S = 575-3-60														
0 = No Heat <span style="float: right;">Heating Capacity<sup>1</sup></span>														
D = Direct Drive X-Vane™ Fan – Standard Static E = Direct Drive X-Vane Fan – High Static F = Direct Drive X-Vane Fan – Medium Static G = Direct Drive X-Vane Fan – High Static with Hot Gas Re-Heat <sup>2</sup> <span style="float: right;">Motor Option (Indoor Fan)</span>														
A = None B = Economizer with Barometric relief, OA Temp sensor E = Economizer with Barometric relief + CO <sub>2</sub> sensor compatible, OA Temp sensor H = Economizer with Barometric relief, enthalpy sensor L = Economizer with Barometric relief + CO <sub>2</sub> sensor compatible, enthalpy sensor U = Temp Ultra Low Leak Economizer with Barometric relief W = Enthalpy Ultra Low Leak Economizer with Barometric relief <span style="float: right;">Outdoor Air Options / Control<sup>3</sup></span>														
0A = No Options 4B = Non Fused Disconnect Switch AA = Hinged Access Panels AT = Un-Powered Convenience Outlet BB = Powered Convenience Outlet BP = Return Air Smoke Detector BR = Supply Air Smoke Detector CJ = Condensate Overflow Switch <span style="float: right;">Factory Installed Options<sup>4</sup></span>														
A = Aluminum / Copper Cond and Evap Coil B = Precoat Alum/Copper Cond with Alum / Copper Evap (3 phase only) C = E-Coated Alum/Copper Cond with Alum / Copper Evap (3 phase only) D = E-Coated Alum / Copper Cond and Evap (3 phase only) E = Copper/Copper Cond and Alum/Copper Evap (3 phase only) F = Copper/Copper Cond and Evap (3 phase only) <span style="float: right;">Condenser / Evaporator Coil Configuration</span>														
A = Economizer controls for (W7212) for EconoMiZer® IV and all others (except factory-installed EconoMiZer X) B = Economizer control (W7220) for EconoMiZer® X <span style="float: right;">Economizer Control</span>														

NOTE: On single phase (K voltage code) models the following are not available as factory-installed options:

- Coated or copper fin coils
- Economizers and 2-position damper
- Powered convenience outlet
- Hot Gas Re-Heat

<sup>1</sup>See Specification Sheet for actual heating capacities.

<sup>2</sup>Hot Gas Re-Heat system includes Low Ambient controller.

<sup>3</sup>See Specification Sheet for details.

<sup>4</sup>Combinations of factory-installed options are available, see Specifications Sheet for details.

# RGV MODEL NUMBER NOMENCLATURE

MODEL SERIES	R	G	V	0	6	0	L	D	D	A	0	A	A	A
Position Number	1	2	3	4	5	6	7	8	9	10	11	12	13	14
R = Rooftop														
G = Gas Heat / Electric Cooling <span style="float: right;">Type</span>														
V = 14 SEER (036-060), 15 IEER (072) <span style="float: right;">Standard Efficiency</span>														
036 = 36,000 BTUH = 3 Tons 048 = 48,000 BTUH = 4 Tons 060 = 60,000 BTUH = 5 Tons 072 = 72,000 BTUH = 6 Tons <span style="float: right;">Nominal Cooling Capacity</span>														
K = 208/230-1-60 H = 208/230-3-60 L = 460-3-60 S = 575-3-60 <span style="float: right;">Voltage</span>														
D = Low Heat E = Medium Heat F = High Heat L = Low NOx, Low Heat (sizes 036-060 only), includes Stainless Steel HX S = Low Heat, Stainless Steel Heat Exchanger R = Medium Heat, Stainless Steel Heat Exchanger T = High Heat, Stainless Steel Heat Exchanger <span style="float: right;">Heating Capacity<sup>1</sup></span>														
D = Direct Drive X-Vane™ Fan – Standard Static E = Direct Drive X-Vane Fan – High Static F = Direct Drive X-Vane Fan – Medium Static G = Direct Drive X-Vane Fan – High Static with Hot Gas Re-Heat <sup>2</sup> <span style="float: right;">Motor Option (Indoor Fan)</span>														
A = None B = Economizer with Barometric relief, OA Temp sensor E = Economizer with Barometric relief + CO <sub>2</sub> sensor, OA Temp sensor H = Economizer with Barometric relief, enthalpy sensor L = Economizer with Barometric relief + CO <sub>2</sub> sensor, enthalpy sensor P = 2-Position Damper (036-060 models only) U = Temp Ultra Low Leak Economizer with Barometric relief W = Enthalpy Ultra Low Leak Economizer with Barometric relief <span style="float: right;">Outdoor Air Options / Control<sup>3</sup></span>														
0A = No Options 4B = Non Fused Disconnect Switch AA = Hinged Access Panels AT = Un-Powered Convenience Outlet BB = Powered Convenience Outlet BP = Return Air Smoke Detector BR = Supply Air Smoke Detector CJ = Condensate Overflow Switch <span style="float: right;">Factory Installed Options<sup>4</sup></span>														
A = Aluminum / Copper Cond & Evap Coil B = Precoat Alum/Copper Cond with Alum / Copper Evap (3 phase only) C = E-Coated Alum/Copper Cond with Alum / Copper Evap (3 phase only) D = E-Coated Alum / Copper Cond & Evap (3 phase only) E = Copper/Copper Cond & Alum/Copper Evap (3 phase only) F = Copper/Copper Cond & Evap (3 phase only) <span style="float: right;">Condenser / Evaporator Coil Configuration</span>														
A = Economizer control (W7212) for EconoMiZer® IV (036-060 models) B = Economizer control (W7220) for EconoMiZer X (036-072 models) <span style="float: right;">Economizer Control</span>														

NOTE: On single phase (K voltage code) models the following are not available as factory-installed options:

- Coated or copper fin coils
- Economizers and 2-position damper
- Powered convenience outlet
- Hot Gas Re-Heat

<sup>1</sup>See Specification Sheet for actual heating capacities.

<sup>2</sup>Hot Gas Re-Heat system includes Low Ambient controller.

<sup>3</sup>See Specification Sheet for details.

<sup>4</sup>Combinations of factory-installed options are available, see Specifications Sheet for details.

# RAV MODEL NUMBER NOMENCLATURE

MODEL SERIES	R	A	V	0	6	0	L	0	D	A	0	A	A	A
Position Number	1	2	3	4	5	6	7	8	9	10	11	12	13	14
R = Rooftop														
A = Electric/Electric, Cooling Only <span style="float: right;">Type</span>														
V = 14 SEER (036-060) 15 IEER (072) <span style="float: right;">Standard Efficiency</span>														
036 = 36,000 BTUH = 3 Tons 048 = 48,000 BTUH = 4 Tons 060 = 60,000 BTUH = 5 Tons 072 = 72,000 BTUH = 6 Tons <span style="float: right;">Nominal Cooling Capacity</span>														
K = 208/230-1-60 H = 208/230-3-60 L = 460-3-60 S = 575-3-60 <span style="float: right;">Voltage</span>														
0 = No Heat <span style="float: right;">Heating Capacity<sup>1</sup></span>														
D = Direct Drive X-Vane™ Fan – Standard Static E = Direct Drive X-Vane Fan – High Static F = Direct Drive X-Vane Fan – Medium Static G = Direct Drive X-Vane Fan – High Static with Hot Gas Re-Heat <sup>2</sup> <span style="float: right;">Motor Option (Indoor Fan)</span>														
A = None B = Economizer with Barometric relief, OA Temp sensor E = Economizer with Barometric relief + CO <sub>2</sub> sensor, OA Temp sensor H = Economizer with Barometric relief, enthalpy sensor L = Economizer with Barometric relief + CO <sub>2</sub> sensor, enthalpy sensor P = 2-Position Damper (036-060 models only) U = Temp Ultra Low Leak Economizer with Barometric relief W = Enthalpy Ultra Low Leak Economizer with Barometric relief <span style="float: right;">Outdoor Air Options / Control<sup>3</sup></span>														
0A = No Options 4B = Non Fused Disconnect Switch AA = Hinged Access Panels AT = Un-Powered Convenience Outlet BB = Powered Convenience Outlet BP = Return Air Smoke Detector BR = Supply Air Smoke Detector CJ = Condensate Overflow Switch <span style="float: right;">Factory Installed Options<sup>4</sup></span>														
A = Aluminum / Copper Cond and Evap Coil B = Precoat Alum/Copper Cond with Alum / Copper Evap (3 phase only) C = E-Coated Alum/Copper Cond with Alum / Copper Evap (3 phase only) D = E-Coated Alum / Copper Cond and Evap (3 phase only) E = Copper/Copper Cond and Alum/Copper Evap (3 phase only) F = Copper/Copper Cond and Evap (3 phase only) <span style="float: right;">Condenser / Evaporator Coil Configuration</span>														
A = Economizer control (W7212) for EconoMiZer® IV (036-060 models) B = Economizer control (W7220) for EconoMiZer X (036-072 models) <span style="float: right;">Economizer Control</span>														

NOTE: On single phase (K voltage code) models the following are not available as factory-installed options:

- Coated or copper fin coils
- Economizers and 2-position damper
- Powered convenience outlet
- Hot Gas Re-Heat

<sup>1</sup>See Specification Sheet for actual heating capacities.

<sup>2</sup>Hot Gas Re-Heat system includes Low Ambient controller.

<sup>3</sup>See Specification Sheet for details.

<sup>4</sup>Combinations of factory-installed options are available, see Specifications Sheet for details.



## RHW MODEL NUMBER NOMENCLATURE

MODEL SERIES	R	H	W	0	6	0	L	0	D	A	0	A	A	A
Position Number	1	2	3	4	5	6	7	8	9	10	11	12	13	14
R = Rooftop														
H = Heat Pump	Type													
W = 16 SEER	High Efficiency													
036 = 35,000 BTUH = 3 Tons 048 = 47,500 BTUH = 4 Tons 060 = 60,000 BTUH = 5 Tons	Nominal Cooling Capacity													
K = 208/230-1-60 H = 208/230-3-60 L = 460-3-60 S = 575-3-60	Voltage													
0 = No Heat	Heating Capacity <sup>1</sup>													
D = Direct Drive X-Vane™ Fan – Standard Static E = Direct Drive X-Vane Fan – High Static F = Direct Drive X-Vane Fan – Medium Static	Motor Option (Indoor Fan)													
A = None B = Economizer with Barometric relief, OA Temp sensor E = Economizer with Barometric relief + CO <sub>2</sub> sensor, OA Temp sensor H = Economizer with Barometric relief, enthalpy sensor L = Economizer with Barometric relief + CO <sub>2</sub> sensor, enthalpy sensor P = 2-Position Damper U = Temp Ultra Low Leak Economizer with Barometric relief W = Enthalpy Ultra Low Leak Economizer with Barometric relief	Outdoor Air Options / Control <sup>2</sup>													
0A = No Options 4B = Non Fused Disconnect Switch AA = Hinged Access Panels AT = Un-Powered Convenience Outlet BB = Powered Convenience Outlet BP = Return Air Smoke Detector BR = Supply Air Smoke Detector CJ = Condensate Overflow Switch	Factory Installed Options <sup>3</sup>													
A = Aluminum / Copper Cond and Evap Coil B = Precoat Alum/Copper Cond with Alum / Copper Evap (3 phase only) C = E-Coated Alum/Copper Cond with Alum / Copper Evap (3 phase only) D = E-Coated Alum / Copper Cond and Evap (3 phase only) E = Copper/Copper Cond and Alum/Copper Evap (3 phase only) F = Copper/Copper Cond and Evap (3 phase only)	Condenser / Evaporator Coil Configuration													
A = Economizer control (W7212) for EconoMiZer® IV B = Economizer control (W7220) for EconoMiZer X	Economizer Control													

NOTE: On single phase (K voltage code) models the following are not available as factory-installed options:

- Coated or copper fin coils
- Economizers and 2-position damper
- Powered convenience outlet

<sup>1</sup>See Specification Sheet for actual heating capacities.

<sup>2</sup>See Specification Sheet for details.

<sup>3</sup>Combinations of factory-installed options are available, see Specifications Sheet for details.

## RHV MODEL NUMBER NOMENCLATURE

MODEL SERIES	R	H	V	0	6	0	L	0	D	A	0	A	A	A
Position Number	1	2	3	4	5	6	7	8	9	10	11	12	13	14
R = Rooftop														
H = Heat Pump	Type													
V = 14 SEER (036-060) 15 IEER (072)	Standard Efficiency													
036 = 36,200 BTUH = 3 Tons 048 = 49,500 BTUH = 4 Tons 060 = 60,500 BTUH = 5 Tons 072 = 71,000 BTUH = 6 Tons	Nominal Cooling Capacity													
K = 208/230-1-60 H = 208/230-3-60 L = 460-3-60 S = 575-3-60	Voltage													
0 = No Heat	Heating Capacity <sup>1</sup>													
D = Direct Drive X-Vane™ Fan – Standard Static E = Direct Drive X-Vane Fan – High Static F = Direct Drive X-Vane Fan – Medium Static	Motor Option (Indoor Fan)													
A = None B = Economizer with Barometric relief, OA Temp sensor E = Economizer with Barometric relief + CO <sub>2</sub> sensor, OA Temp sensor H = Economizer with Barometric relief, enthalpy sensor L = Economizer with Barometric relief + CO <sub>2</sub> sensor, enthalpy sensor P = 2-Position Damper (036-060 models only) U = Temp Ultra Low Leak Economizer with Barometric relief W = Enthalpy Ultra Low Leak Economizer with Barometric relief	Outdoor Air Options / Control <sup>2</sup>													
0A = No Options 4B = Non Fused Disconnect Switch AA = Hinged Access Panels AT = Un-Powered Convenience Outlet BB = Powered Convenience Outlet BP = Return Air Smoke Detector BR = Supply Air Smoke Detector CJ = Condensate Overflow Switch	Factory Installed Options <sup>3</sup>													
A = Aluminum / Copper Cond and Evap Coil B = Precoat Alum/Copper Cond with Alum / Copper Evap (3 phase only) C = E-Coated Alum/Copper Cond with Alum / Copper Evap (3 phase only) D = E-Coated Alum / Copper Cond and Evap (3 phase only) E = Copper/Copper Cond and Alum/Copper Evap (3 phase only) F = Copper/Copper Cond and Evap (3 phase only)	Condenser / Evaporator Coil Configuration													
A = Economizer control (W7212) for EconoMiZer® IV (036-060 models) B = Economizer control (W7220) for EconoMiZer X (036-072 models)	Economizer Control													

NOTE: On single phase (K voltage code) models the following are not available as factory-installed options:

- Coated or copper fin coils
- Economizers and 2-position damper
- Powered convenience outlet
- Hot Gas Re-Heat

<sup>1</sup>See Specification Sheet for actual heating capacities.

<sup>2</sup>See Specification Sheet for details.

<sup>3</sup>Combinations of factory-installed options are available, see Specifications Sheet for details.

## RAH 072-150 MODEL NUMBER NOMENCLATURE

MODEL SERIES	R	A	H	0	9	0	H	0	A	A	0	A	A	A
Position Number	1	2	3	4	5	6	7	8	9	10	11	12	13	14
R = Rooftop														
A = Air Conditioning (Cooling Only) <span style="float: right;">Type</span>														
H = High Efficiency <span style="float: right;">Efficiency</span>														
072 = 6 Tons (Single Compressor)      110 = 10 Tons (Dual Compressor) 12.0 EER*														
073 = 6 Tons (Single Compressor/2-Stage)      120 = 10 Tons (Dual Compressor) 11.7 EER*														
090 = 7.5 Tons (Dual Compressor)      150 = 12.5 Tons (Dual Compressor)														
102 = 8.5 Tons (Dual Compressor) <span style="float: right;"><b>Nominal Cooling Capacity</b></span>														
H = 208/230-3-60      S = 575-3-60														
L = 460-3-60 <span style="float: right;"><b>Voltage</b></span>														
0 = No Heat <span style="float: right;"><b>Heating Capacity (See spec sheet for actual capacity)</b></span>														
A = Standard Static Option - (Belt Drive) 6-12.5 Ton with 1 speed IFM , 3 phase only														
C = Medium Static Option (Belt Drive) (3-12.5 Ton with 1 speed IFM, 3 phase only)														
B = High Static Option (Belt Drive) (3-10 Ton with 1 speed IFM, 3 phase only)														
E = High Static High Efficiency Option (Belt Drive) (available on 12.5, 17.5, 20 and 25 ton, non VFD)														
G = High Static Motor / Drive with Hot Gas Re-heat (12.5, 17.5 and 20/25 ton, non VFD)														
H = High Static Motor / Drive with Hot Gas Re-heat (6, 8.5, 15 ton non VFD, all sizes with VFD)														
<b>Motor Option</b>														
A = None														
B = Economizer w/Barometric relief, OA Temp sensor														
E = Economizer w/Barometric relief + CO <sub>2</sub> Sensor, OA Temp sensor														
H = Economizer w/Barometric relief, enthalpy sensor														
L = Economizer w/Barometric relief + CO <sub>2</sub> Sensor, enthalpy sensor														
P = 2-Position damper w/Baro-relief														
U = Temp Ultra Low Leak Economizer w/Barometric relief														
W = Enthalpy Ultra Low Leak Economizer w/Barometric relief														
<b>Outdoor Air Options / Control (See spec sheet for details)</b>														
0A = No Options														
4B = Non-Fused Disconnect														
BB = Powered 115v Convenience Outlet														
AT = Non-powered 115v Convenience Outlet														
BR = Supply Air Smoke Detector														
AA = Easy Access Hinged Panels														
<b>Factory Installed Options</b>														
A = Aluminum / Copper Cond & Alum/Copper Evap Coil														
B = Pre-coat Alum/Copper Cond & Alum / Copper Evap														
C = E-Coated Alum/Copper Cond & Alum / Copper Evap														
D = E-Coated Alum / Copper Cond & E-Coated Alum/Copper Evap														
E = Copper/Copper Cond & Alum/Copper Evap														
F = Copper/Copper Cond & Copper/Copper Evap														
<b>Condenser / Evaporator Coil Configuration</b>														
A = Standard Single Speed Indoor Fan Motor For W7212 controls														
B = Standard Single Speed Indoor Fan Motor For W7220 controls														
T = 2-Speed Indoor Fan VFD Controller (For 2-stage units only)														
<b>Motor Type Option</b>														

NOTE: On single phase (K voltage code) models, the following are not available as factory installed options:

- Coated or copper fin coils
- Economizers or 2 position dampers
- Hot Gas Re-heat

\* Two speed fan is required for sale in the U.S. or Canada.

## RAH 181-303 MODEL NUMBER NOMENCLATURE

MODEL SERIES	R	A	H	1	8	1	H	0	A	A	0	A	A	T
Position Number	1	2	3	4	5	6	7	8	9	10	11	12	13	14
R = Rooftop														
A = Air Conditioning <span style="float: right;">Type</span>														
H = High Efficiency <span style="float: right;">Efficiency</span>														
181 = 181,000 = 15 Ton Dedicated Vertical SA/RA (SA = Supply Air, RA = Return Air) 183 = 180,000 = 15 Ton Dedicated Horizontal SA/RA 210 = 210,000 = 17.5 Ton Dedicated Vertical SA/RA 213 = 210,000 = 17.5 Ton Dedicated Horizontal SA/RA 240 = 240,000 = 20 Ton Dedicated Vertical SA/RA 243 = 240,000 = 20 Ton Dedicated Horizontal SA/RA 300 = 300,000 = 25 Ton Dedicated Vertical SA/RA 303 = 300,000 = 25 Ton Dedicated Horizontal SA/RA <span style="float: right;">Nominal Cooling Capacity</span>														
H= 208/230-3-60 L = 460-3-60 S = 575-3-60 <span style="float: right;">Voltage</span>														
0 = No Heat <span style="float: right;">Heating Capacity</span>														
A = Standard Motor (All sizes) B = High Static Motor (15 ton with 1 speed IFM, All sizes with 2 speed IFM) C = Medium Static Motor (15 and 17.5 ton with 1 speed IFM, All sizes with 2 speed IFM) E = High Static - High Efficiency Motor (17.5 to 25 ton with 1 speed IFM) F = Medium Static - High Efficiency Motor (20 and 25 ton with 1 speed IFM) G = High Static Motor with High Static, High Efficiency Motor (210-303 models) H = High Static Motor with Hot Gas Re-Heat Single and 2 speed IFM (181/183 models only) <span style="float: right;">Motor Options</span>														
A = None B = Economizer w/ Barometric Relief, OA Temp Sensor E = Economizer w/ Barometric Relief + CO <sub>2</sub> Sensor, OA Temp Sensor H = Economizer w/ Barometric Relief, Enthalpy Sensor L = Economizer w/ Barometric Relief + CO <sub>2</sub> Sensor, Enthalpy Sensor P = 2-Position Damper w/ Barometric Relief U = Temperature Ultra Low Leak Economizer w/ Barometric Relief W = Enthalpy Ultra Low Leak Economizer w/ Barometric Relief <span style="float: right;">Outdoor Air Options / Control</span>														
0A = No Options 4B = Non-Fused Disconnect AT= Non-Powered 115v C.O. BR = Supply Air Smoke Detector AA= Easy Access Hinged Panels <span style="float: right;">Factory-Installed Options</span>														
A = Aluminum / Copper Condenser and Evaporator Coils B = Pre-Coat Aluminum / Copper Condenser and Aluminum / Copper Evaporator Coils C = E-Coat Aluminum / Copper Condenser and Aluminum / Copper Evaporator Coils D = E-Coat Aluminum / Copper Condenser and E-Coat Aluminum / Copper Evaporator Coils E = Copper / Copper Condenser and Aluminum / Copper Evaporator Coils F = Copper / Copper Condenser and Copper / Copper Evaporator Coils <span style="float: right;">Condenser / Evaporator Coil Configuration</span>														
A = Standard Single Speed Indoor Fan Motor. For W7212 Controls B = Standard Single Speed Indoor Fan Motor. For W7220 Controls T = Two Speed Indoor Fan Motor (VFD) - Standard on U.S. models <span style="float: right;">Motor Type Option</span>														

## RAS 089-180 MODEL NUMBER NOMENCLATURE

MODEL SERIES	R	A	S	0	9	0	H	0	A	A	0	A	A	A
Position Number	1	2	3	4	5	6	7	8	9	10	11	12	13	14
R = Rooftop														
A = Electric/Electric, Cooling Only <span style="float: right;"><b>Type</b></span>														
S = Standard DOE 2018/ASHRAE 90.1 - 2016 <span style="float: right;"><b>Efficiency</b></span>														
089 = 7.5 Tons (1 circuit/two stage cooling) 090 = 7.5 Tons (2 compressor/two stage cooling) 100 = 8.5 Tons (1 circuit/two stage cooling) 102 = 8.5 Tons (2 compressor/two stage cooling) 119 = 10 Tons (1 circuit/two stage cooling) 120 = 10 Tons (2 compressor/two stage cooling) 150 = 12.5 Tons (2 compressor/two stage cooling) 180 = 15 Tons (2 compressor/two stage cooling) <span style="float: right;"><b>Nominal Cooling Capacity</b></span>														
H = 208/230-3-60 L = 460-3-60 S = 575-3-60 <span style="float: right;"><b>Voltage</b></span>														
0 = No Heat <span style="float: right;"><b>Heating Capacity</b></span>														
A = Standard Motor/Drive B = High Static Motor/Drive <sup>1</sup> C = Medium Static Motor/Drive E = High Static - High Efficiency Motor/Drive H = High Static Motor/Drive with Hot Gas Re-Heat (not available on 089, 100, 119 models) <span style="float: right;"><b>Motor Option</b></span>														
A = None B = Low Leak Economizer w/Barometric relief, OA Temperature Sensor E = Low Leak Economizer w/Barometric relief and CO <sub>2</sub> Sensor, OA Temperature Sensor H = Low Leak Economizer w/Barometric relief, Enthalpy Sensor L = Low Leak Economizer w/Barometric relief and CO <sub>2</sub> Sensor, Enthalpy Sensor P = 2-Position Damper (non U.S. models only) U = Temperature Ultra Low Leak Economizer w/Barometric relief W = Enthalpy Ultra Low Leak Economizer w/Barometric relief <span style="float: right;"><b>Outdoor Air Options</b></span>														
0A = Standard (no options) AT = Un-Powered Convenience Outlet 4B = Non-Fused Disconnect Switch BB = Powered Convenience Outlet BR = Supply Air Smoke Detector BP = Return Air Smoke Detector AA = Easy Access Hinged Panels <span style="float: right;"><b>Factory Installed Options<sup>2</sup></b></span>														
A = Aluminum/Copper Condenser and Evaporator Coil B = Precoat Alum/Cu Condenser and Alum/Cu Evaporator C = E-Coated Alum/Cu Condenser and Alum/Cu Evaporator D = E-Coated Alum/Cu Condenser and Evaporator E = Cu/Cu Condenser and Alum/Cu Evaporator F = Copper/Copper Condenser and Evaporator <span style="float: right;"><b>Standard Condenser / Evaporator Coil Configuration</b></span>														
A = Single-Speed Indoor Fan Motor, for W7212 controls B = Single-Speed Indoor Fan Motor, for W7220 controls T = Two-Speed Indoor Motor Controller (VFD) - Standard on U.S. models (except 089, 100, 119 models) <span style="float: right;"><b>Indoor Fan Motor</b></span>														

<sup>1</sup> Not available for RAS089 units.

<sup>2</sup> Combinations of FIOPS are available. Contact your sales representative for details.

## RAS 210-336 MODEL NUMBER NOMENCLATURE

MODEL SERIES	R	A	S	2	1	0	H	0	A	B	0	A	A	A
Position Number	1	2	3	4	5	6	7	8	9	10	11	12	13	14
R = Rooftop														
A = Air Conditioning (Cooling Only) G = Gas/Electric														
Type														
S = Standard ASHRAE 90.1-2010 Efficiency														
Efficiency														
210 = 210,000 = 17.5 Tons Dedicated Vertical SA/RA = Supply Air, RA = Return Air														
240 = 240,000 = 20 Tons Dedicated Vertical SA/RA														
300 = 300,000 = 25 Tons Dedicated Vertical SA/RA														
336 = 300,000 = 25 Tons Dedicated Vertical SA/RA														
Nominal Cooling Capacity														
H = 208/230-3-60														
L = 460-3-60														
S = 575-3-60														
Voltage														
0 = No Heat														
Heating Capacity														
A = Standard Static Option (All models)														
B = High Static High Efficiency Option (All models with 2 speed IFM)														
C = Medium Static Option (17.5 Ton Only with 1 speed IFM, 17.5 to 27.5 ton with 2 speed IFM)														
E = High Static High Efficiency Option (All Models with 1 speed IFM)														
F = Medium Static High Efficiency Option (20 to 27.5 Ton with 1 speed IFM)														
G = High Static Motor with Hot Gas Reheat (17.5 to 25 Ton with 1 speed IFM)														
H = High Static Motor with Hot Gas Reheat (17.5 to 25 Ton with 2 speed IFM)														
Motor Option														
A = None														
B = Economizer w/Bara-relief, OA Temp sensor (1-speed IFM only)														
E = Economizer w/Bara-relief + CO <sub>2</sub> sensor, OA Temp sensor (1-speed IFM only)														
H = Economizer w/Bara-relief, Enthalpy sensor (1-speed IFM only)														
L = Economizer w/Bara-relief + CO <sub>2</sub> sensor, Enthalpy sensor (1-speed IFM only)														
U = Ultra Low Leak Temp Economizer w/Baro relief (2-speed IFM only)														
W = Ultra Low Leak Enthalpy Economizer w/Baro relief (2-speed IFM only)														
P = 2-Position damper w/Baro-relief (1-speed IFM only)														
Outdoor Air Options / Control														
OA = No Options														
AT = Non-powered 115v C.O.														
BR = Sup. Air Smoke Detector														
AA = Easy Access Hinged Panels														
4B = Non fused disconnect														
Factory Installed Options														
A = Alum / Cu Cond & Alum / Cu Evap														
B = Pre coated Alum / Cu Cond & Alum / Cu Evap														
C = E-coated Alum / Cu Cond & Alum / Cu Evap														
D = E-coated Alum / Cu Cond & E-coated Alum / Cu Evap														
E = Cu / Cu Cond & Alum / Cu Evap														
F = Cu / Cu Cond, Cu / Cu Evap														
Condenser / Evaporator Coil Configuration														
A = Standard 1 Speed IFM														
T = 2 Speed IFM with VFD Controller (For 2-stage units only)														
Motor Type Option														

## RGH 072-150 MODEL NUMBER NOMENCLATURE

MODEL SERIES	R	G	H	0	9	0	H	D	A	A	0	A	A	A
Position Number	1	2	3	4	5	6	7	8	9	10	11	12	13	14
R = Rooftop														
G = Gas/Electric		<b>Type</b>												
H = High-Efficiency		<b>Efficiency</b>												
072=6Tons (SingleCompressor/2-Stage)		110=10Tons (DualCompressor)(12.0EER)												
090=7.5Tons (DualCompressor)		120=10Tons (DualCompressor)(11.5EER)												
102=8.5Tons (DualCompressor)		150=12.5Tons (DualCompressor)												
<b>Nominal Cooling Capacity</b>														
H=208/230-3-60		S=575-3-60												
L=460-3-60		<b>Voltage</b>												
D=Low Heat E=Medium Heat F=High Heat S=Low Heat, Stainless Steel Heat Exchanger R=Medium Heat, Stainless Steel Heat Exchanger T=High Heat, Stainless Steel Heat Exchanger														
<b>Heating Capacity</b> (See spec sheet for actual capacity)														
A = Standard Motor B = High Static Motor C = Medium Static Motor E = High Static/High Efficient Motor F = Medium Static/High Efficient Motor G = High Static with Hot Gas Re-Heat (single speed motor) (12.5 ton) H = High Static with Hot Gas Re-Heat (two speed motor) (6-8.5 ton)														
<b>Motor Option</b>														
A = None B = Economizer w/Barometric relief, OA Temp sensor E = Economizer w/Barometric relief + CO <sub>2</sub> Sensor, OA Temp sensor H = Enthalpy Economizer w/Barometric relief, enthalpy sensor L = Enthalpy Economizer w/Barometric relief + CO <sub>2</sub> Sensor, enthalpy sensor U = Temp Ultra Low Leak Economizer w/Barometric relief W = Enthalpy Ultra Low Leak Economizer w/Barometric relief P = 2-Position damper w/Baro-relief only on 1-speed unit														
<b>Outdoor Air Options/Control</b>														
0A = Standard BB = Powered 115v Convenience Outlet AT = Non-powered 115v Convenience Outlet 4B = Non-Fused Disconnect BR = Supply Air Smoke Detector AA = Easy Access Hinged Panels														
<b>Factory Installed Options (Not available on 1 phase models)</b>														
A = Aluminum / Copper Cond & Alum/Copper Evap Coil					D = E-Coated Alum/Cu Cond & Evap									
B = Pre-coat Alum/Copper Cond & Alum / Copper Evap (3 Phase only)					E = Cu/Cu Cond & Alum/Cu Evap									
C = E-Coated Alum/Copper Cond & Alum / Copper Evap (3 Phase only)					F = Copper/Copper Cond & Evap									
<b>Condenser / Evaporator Coil Configuration</b>														
A = Standard Single Speed Indoor Fan Motor For W7212 controls B = Standard Single Speed Indoor Fan Motor For W7220 controls T = 2 Speed Indoor Fan VFD Controller (For 2-stage units only)														
<b>Motor Type Option</b>														

## RGH 181-303 MODEL NUMBER NOMENCLATURE

MODEL SERIES	R	G	H	1	8	1	H	D	A	B	0	A	A	A
Position Number	1	2	3	4	5	6	7	8	9	10	11	12	13	14
R = Rooftop														
G = Gas/Electric <span style="float: right;">Type</span>														
H = High Efficiency <span style="float: right;">Efficiency</span>														
181 = 181,000 = 15 Tons Dedicated Vertical SA/RA (SA = Supply Air, RA = Return Air) 183 = 180,000 = 15 Tons Dedicated Horizontal SA/RA 210 = 210,000 = 17.5 Tons Dedicated Vertical SA/RA 213 = 210,000 = 17.5 Tons Dedicated Horizontal SA/RA 240 = 240,000 = 20 Tons Dedicated Vertical SA/RA 243 = 240,000 = 20 Tons Dedicated Horizontal SA/RA 300 = 300,000 = 25 Tons Dedicated Vertical SA/RA 303 = 300,000 = 25 Tons Dedicated Horizontal SA/RA <span style="float: right;">Nominal Cooling Capacity</span>														
H = 208/230-3-60 L = 460-3-60 S = 575-3-60 <span style="float: right;">Voltage</span>														
D = Low Heat E = Medium Heat F = High Heat S = Low Heat, Stainless Steel Heat Exchanger R = Medium Heat, Stainless Steel Heat Exchanger T = High Heat, Stainless Steel Heat Exchanger <span style="float: right;">Heating Capacity</span>														
A = Standard Motor (up to 15 ton on both units with VFD (2 speed) IFM and non VFD models) C = Medium Static Motor (up to 15 ton on both units with VFD (2 speed) IFM and non VFD models) B = High Static Motor (up to 15 ton on both units with VFD (2 speed) IFM and non VFD models) E = High Static - High Efficiency Motor (motor available on 17.5, 20 and 25 ton on non VFD models) F = Medium Static - High Efficiency Motor (15 ton non VFD, all sizes with VFD) G = High Static Motor/Drive with Hot Gas Reheat (17.5 and 20/25 ton non VFD) <span style="float: right;">Motor Option</span>														
A = None B = Temp Economizer w/Bara-relief E = Temp Economizer w/Bara-relief + CO <sub>2</sub> sensor H = Enthalpy Economizer w/Bara-relief L = Enthalpy Economizer w/Bara-relief + CO <sub>2</sub> sensor U = Temp. Ultra Low Leak Economizer w/Bara-relief W = Enthalpy Ultra Low Leak Economizer w/Bara-relief P = 2-Position damper <span style="float: right;">Outdoor Air Options / Control</span>														
0A = No Options 4B = Non-Fused Disconnect AT = Non-powered 115v C.O. BR = Supply Air Smoke Detector <span style="float: right;">Factory Installed Options</span>														
A = Aluminum Fin /Copper Tubes Cond & Evap Coil B = Precoat Aluminum/Copper Cond Coil C = E-Coated Cond Coil <span style="float: right;">Condenser / Evaporator Coil Configuration</span>														
A = Standard Motor T = 2 Speed Indoor Fan VFD Controller (For 2-stage units only) <span style="float: right;">Motor Type Option</span>														



## RGS 072-180 MODEL NUMBER NOMENCLATURE

MODEL SERIES	R	G	S	0	9	0	H	D	A	A	0	A	A	A
Position Number	1	2	3	4	5	6	7	8	9	10	11	12	13	14
R = Rooftop														
G = Gas/Electric		<b>Type</b>												
S = Standard DOE 2018/ASHRAE 90.1 - 2016		<b>Efficiency</b>												
089 = 90,000 BTUH = 7.5 Tons (1 circuit/two stage cooling)														
090 = 90,000 BTUH = 7.5 Tons (2 compressor)														
100 = 102,000 BTUH = 8.5 Tons (1 circuit/two stage cooling)														
102 = 102,000 BTUH = 8.5 Tons (2 compressor)														
119 = 120,000 BTUH = 10 Tons (1 circuit/two stage cooling)														
120 = 120,000 BTUH = 10 Tons (2 compressor)														
150 = 150,000 BTUH = 12.5 Tons (2 compressor)														
180 = 180,000 BTUH = 15 Tons (2 compressor)		<b>Nominal Cooling Capacity</b>												
H = 208/230-3-60														
L = 460-3-60														
S = 575-3-60		<b>Voltage</b>												
D = Low Heat, Aluminum Heat Exchanger														
E = Medium Heat, Aluminum Heat Exchanger														
F = High Heat, Aluminum Heat Exchanger														
S = Low Heat, Stainless Steel Heat Exchanger														
R = Med Heat, Stainless Steel Heat Exchanger														
T = High Heat, Stainless Steel Heat Exchanger		<b>Heating Capacity</b>												
A = Standard Motor/Drive														
B = High Static Motor/Drive <sup>1</sup>														
C = Medium Static Motor/Drive														
H = High Static Motor/Drive with Hot Gas Re-Heat (on all sizes except 089, 100, 119)		<b>Motor Option</b>												
A = None														
B = Low Leak Economizer w/Barometric relief, OA Temperature Sensor														
E = Low Leak Economizer w/Barometric relief and CO <sub>2</sub> Sensor, OA Temperature Sensor														
H = Low Leak Economizer w/Barometric relief, Enthalpy Sensor														
L = Low Leak Economizer w/Barometric relief and CO <sub>2</sub> Sensor, Enthalpy Sensor														
P = 2-Position Damper (non U.S. models only)														
U = Temperature Ultra Low Leak Economizer w/Barometric relief														
W = Enthalpy Ultra Low Leak Economizer w/Barometric relief		<b>Outdoor Air Options</b>												
0A = No Options														
AT = Non-powered 115v Convenience Outlet														
4B = Non-Fused Disconnect														
BB = Powered Convenience Outlet														
BR = Supply Air Smoke Detector														
BP = Return Air Smoke Detector														
AA = Easy Access Hinged Panels		<b>Factory Installed Options<sup>2</sup></b>												
A = Aluminum/Copper Condenser and Evaporator Coil														
B = Precoat Alum/Cu Condenser and Alum/CU Evaporator														
C = E-Coated Alum/Cu Condenser and Alum/CU Evaporator														
D = E-Coated Alum/Cu Condenser and Evaporator														
E = Cu/Cu Condenser and Alum/Cu Evaporator														
F = Copper/Copper Condenser and Evaporator		<b>Standard Condenser/Evaporator Coil Configuration</b>												
A = Single-Speed Indoor Fan Motor, for W7212 controls														
B = Single-Speed Indoor Fan Motor, for W7220 controls														
T = Two-Speed Indoor Motor Controller (VFD) - Standard on U.S. models		<b>Indoor Fan Motor</b>												

<sup>1</sup> Not available for RGS089 units.

<sup>2</sup> Combinations of FIOPS are available. Contact your representative for details.

## RGS 210-336 MODEL NUMBER NOMENCLATURE

MODEL SERIES	R	G	S	2	1	0	H	D	A	B	0	A	A	A
Position Number	1	2	3	4	5	6	7	8	9	10	11	12	13	14
R = Rooftop														
A = Air Conditioning (Cooling Only)														
G = Gas/Electric <span style="float: right;"><b>Type</b></span>														
S = Standard ASHRAE 90.1 - 2016 <span style="float: right;"><b>Efficiency</b></span>														
210 = 210,000 = 17.5 Tons Dedicated Vertical SA/RA (SA = Supply Air, RA = Return Air)														
240 = 240,000 = 20 Tons Dedicated Vertical SA/RA														
300 = 300,000 = 25 Tons Dedicated Vertical SA/RA														
336 = 330,000 = 27.5 Tons Dedicated Vertical SA/RA <span style="float: right;"><b>Nominal Cooling Capacity</b></span>														
H = 208/230-3-60														
L = 460-3-60														
S = 575-3-60 <span style="float: right;"><b>Voltage</b></span>														
D = Low Heat														
E = Medium Heat														
F = High Heat														
S = Low Heat, Stainless Steel Heat Exchanger														
R = Medium Heat, Stainless Steel Heat Exchanger														
T = High Heat, Stainless Steel Heat Exchanger <span style="float: right;"><b>Heating Capacity</b></span>														
A = Standard Static Option (available in all sizes 210 - 336 and only come with VFD)														
B = High Static High Efficiency Option (available in all sizes 210 - 336 and only come with VFD)														
C = Medium Static Option (available in all sizes 210 - 336 and only come with VFD)														
H = High Static Motor with Hot Gas Reheat <span style="float: right;"><b>Motor Option</b></span>														
A = None														
B = Economizer w/Bara-relief, OA Temp sensor														
E = Economizer w/Bara-relief + CO <sub>2</sub> sensor, OA Temp sensor														
H = Economizer w/Bara-relief, Enthalpy sensor														
L = Economizer w/Bara-relief + CO <sub>2</sub> sensor, Enthalpy sensor														
U = Ultra Low Leak Temp Economizer w/Bara-relief (2-speed indoor fan motor only)														
W = Ultra Low Leak Temp Enthalpy Economizer w/Bara-relief (2-speed indoor fan motor only)														
P = 2-Position damper <span style="float: right;"><b>Outdoor Air Options / Control</b></span>														
0A = No Options														
4B = Non-fused Disconnect														
AA = Hinged Access Panels														
AT = Non-powered 115v Convenience Outlet.														
BR = Supply Air Smoke Detector <span style="float: right;"><b>Other Factory Installed Options<sup>1</sup></b></span>														
A = Alum / Cu Cond and Alum / Cu Evap														
B = Pre coated Alum / Cu Cond and Alum / Cu Evap														
C = E-coated Alum / Cu Cond and Alum / Cu Evap														
D = E-coated Alum / E-coated Cu Cond and Alum / Cu Evap														
E = Cu / Cu Cond and Alum / Cu Evap														
F = Cu / Cu Cond and Cu / Cu Evap <span style="float: right;"><b>Coil Factory Installed Options</b></span>														
A = Standard Motor														
T = 2 Speed Indoor Fan VFD Controller (For 2-stage units only) <span style="float: right;"><b>Motor Type Option</b></span>														

<sup>1</sup>A combination of FIOP's are available.

## RHH MODEL NUMBER NOMENCLATURE

MODEL SERIES	R	H	H	0	7	2	H	0	A	A	0	A	A	T
Position Number	1	2	3	4	5	6	7	8	9	10	11	12	13	14
R = Rooftop														
H = Heat Pump <span style="float: right;"><b>Type</b></span>														
H = High Efficiency <span style="float: right;"><b>Efficiency</b></span>														
072 = 72,000 = 6 tons (One Compressor, 1-Stage Cooling) 073 = 73,000 = 6 tons (One Compressor, 2-Stage Cooling) 090 = 90,000 = 7.5 tons (Two Compressors, 2-Stage Cooling) 102 = 102,000 = 8.5 tons (Two Compressors, 2-Stage Cooling) 120 = 120,000 = 10 tons (Two Compressors, 2-Stage Cooling) <span style="float: right;"><b>Nominal Cooling Capacity</b></span>														
H = 208/230-3-60 L = 460-3-60 S = 575-3-60 <span style="float: right;"><b>Voltage</b></span>														
0 = No Heat <span style="float: right;"><b>Heating Capacity *</b></span>														
A = Standard Static Option – Belt Drive B = High Static Option – Belt Drive (6 - 8.5 ton on 1 speed and 6 - 10 ton on 2 speed VFD models) C = Medium Static Option – Belt Drive (3 to 10 tons, 3-Phase Only) E = High Static with High Efficiency Motor (motor available on 10 ton only non VFD model only - 1 speed) <span style="float: right;"><b>Motor Options</b></span>														
A = None B = Economizer w/ Barometric Relief, OA Temp Sensor E = Economizer w/ Barometric Relief + CO <sub>2</sub> Sensor, OA Temp Sensor H = Economizer w/ Barometric Relief, Enthalpy Sensor L = Economizer w/ Barometric Relief + CO <sub>2</sub> Sensor, Enthalpy Sensor P = 2-Position Damper w/ Barometric Relief U = Ultra Low Leak Economizer w/ Barometric Relief, OA Temp Sensor W = Ultra Low Leak Economizer w/ Barometric Relief, Enthalpy Sensor <span style="float: right;"><b>Outdoor Air Options / Control</b></span>														
0A = Standard AA = Easy Access Hinged Panels AT = Unpowered Convenience Outlet 4B = Non-Fused Disconnect Switch BB = Powered Convenience Outlet BP = Return Air Smoke Detector BR = Supply Air Smoke Detector CJ = Condensate Overflow Switch <span style="float: right;"><b>Factory-Installed Options*</b></span>														
A = Aluminum / Copper Condenser and Evaporator Coils B = Pre-Coat Aluminum / Copper Condenser and Aluminum / Copper Evaporator Coils C = E-Coat Aluminum / Copper Condenser and Aluminum / Copper Evaporator Coils D = E-Coat Aluminum / Copper Condenser and E-Coat Aluminum / Copper Evaporator Coils E = Copper / Copper Condenser and Aluminum / Copper Evaporator Coils F = Copper / Copper Condenser and Copper / Copper Evaporator Coils <span style="float: right;"><b>Condenser / Evaporator Coil Configuration</b></span>														
A = Single Speed Indoor Fan Motor, for W7212 controls B = Single Speed Indoor Fan Motor, for W7220 controls T = Two Speed Indoor Motor Controller (VFD) – (2-Stage Units Only) <span style="float: right;"><b>Indoor Fan Motor Speed</b></span>														

\* See RHH 6 to 10 ton Product Specification for details.

## RHS 090-150 MODEL NUMBER NOMENCLATURE

MODEL SERIES	R	H	S	0	9	0	H	0	A	A	0	A	A	T
Position Number	1	2	3	4	5	6	7	8	9	10	11	12	13	14
R = Rooftop		<b>Type</b>												
H = Heat Pump														
S = Standard DOE/ASHRAE 90.1 Efficiency		<b>Efficiency</b>												
090 = 7.5 Tons (2 compressor/two stage cooling)														
102 = 8.5 Tons (2 compressor/two stage cooling)		<b>Nominal Cooling Capacity</b>												
120 = 10 Tons (2 compressor/two stage cooling)														
150 = 12.5 Tons (2 compressor/two stage cooling)														
H = 208/230-3-60		<b>Voltage</b>												
L = 460-3-60														
S = 575-3-60														
0 = No Heat		<b>Heating Capacity</b>												
A = Standard Motor/Drive														
B = High Static Motor/Drive														
C = Medium Static Motor/Drive		<b>Motor Option</b>												
E = High Static - High Efficiency Motor/Drive														
A = None														
B = Low Leak Economizer w/Barometric relief, OA Temperature Sensor		<b>Outdoor Air Options</b>												
E = Low Leak Economizer w/Barometric relief and CO <sub>2</sub> Sensor, OA Temperature Sensor														
H = Low Leak Economizer w/Barometric relief, Enthalpy Sensor														
L = Low Leak Economizer w/Barometric relief and CO <sub>2</sub> Sensor, Enthalpy Sensor														
P = 2-Position Damper														
U = Temperature Ultra Low Leak Economizer w/Barometric relief														
W = Enthalpy Ultra Low Leak Economizer w/Barometric relief														
0A = Standard (no options)		<b>Factory Installed Options<sup>1</sup></b>												
AT = Un-Powered Convenience Outlet														
4B = Non-Fused Disconnect Switch														
BB = Powered Convenience Outlet														
BR = Supply Air Smoke Detector														
BP = Return Air Smoke Detector														
AA = Easy Access Hinged Panels														
A = Aluminum/Copper Condenser and Evaporator Coil		<b>Standard Condenser / Evaporator Coil Configuration</b>												
B = Precoat Alum/Cu Condenser and Alum/Cu Evaporator														
C = E-Coated Alum/Cu Condenser and Alum/Cu Evaporator														
D = E-Coated Alum/Cu Condenser and Evaporator														
E = Cu/Cu Condenser and Alum/Cu Evaporator														
F = Copper/Copper Condenser and Evaporator														
A = Single-Speed Indoor Fan Motor, for W7212 controls		<b>Indoor Fan Motor</b>												
B = Single-Speed Indoor Fan Motor, for W7220 controls														
T = Two-Speed Indoor Motor Controller (VFD) - Standard on U.S. models														

<sup>1</sup> Not all combinations of factory installed options are available. Contact your sales representative for details.

## RHS 181-243 MODEL NUMBER NOMENCLATURE

MODEL SERIES	R	H	S	1	8	1	H	0	A	B	0	A	A	A
Position Number	1	2	3	4	5	6	7	8	9	10	11	12	13	14
R = Rooftop														
H = Heat Pump <span style="float: right;"><b>Type</b></span>														
S = Standard ASHRAE 90.1-2016 Efficiency <span style="float: right;"><b>Efficiency</b></span>														
181 = 181,000 = 15 Tons Dedicated Vertical SA/RA (SA = Supply Air, RA = Return Air) 183 = 180,000 = 15 Tons Dedicated Horizontal SA/RA 240 = 240,000 = 20 Tons Dedicated Vertical SA/RA 243 = 240,000 = 20 Tons Dedicated Horizontal SA/RA <span style="float: right;"><b>Nominal Cooling Capacity</b></span>														
H = 208/230-3-60 L = 460-3-60 S = 575-3-60 <span style="float: right;"><b>Voltage</b></span>														
0 = No Heat <span style="float: right;"><b>Heating Capacity</b></span>														
A = Standard Option (not available on horizontal 243 unit) B = High Static Option (2-Speed IFM) C = Medium Static Motor (2-Speed IFM) <span style="float: right;"><b>Motor Option</b></span>														
A = None B = Economizer w/Baro-relief, OA Temp sensor E = Economizer w/Baro-relief + CO <sub>2</sub> sensor, OA Temp sensor H = Economizer w/Baro-relief, Enthalpy sensor L = Economizer w/Baro-relief + CO <sub>2</sub> sensor, Enthalpy sensor U = Ultra Low Leak Temp Economizer w/Baro-relief W = Ultra Low Leak Enthalpy Economizer w/Baro-relief P = 2-Position damper w/Baro-relief <span style="float: right;"><b>Outdoor Air Options / Control</b></span>														
0A = No Options 4B = Non-fused Disconnect AT = Non-powered 115v Convenience Outlet AA = Hinged Access Panels BR = Supply Air Smoke Detector <span style="float: right;"><b>Factory Installed Options</b></span>														
A = Standard - Alum. Fin / Copper Tubes, Condenser & Evap B = Pre-coated Alum. Fin / Copper Tubes Condenser Coils, Standard Evap. Coil C = E-Coated Alum. Fin / Copper Tubes Condenser Coils, Standard Evap. Coil D = E-Coated Alum. Fin / Copper Tubes Condenser & Evap. Coils E = Copper Fin / Copper Tube Condenser Coils, Standard Evap. Coil F = Copper Fin / Copper Tube Condenser & Evap Coils <span style="float: right;"><b>Condenser / Evaporator Coil Configuration</b></span>														
A = Standard Motor T = 2 Speed Indoor Fan VFD Controller (For 2-stage units only) <span style="float: right;"><b>Motor Type Option</b></span>														

## CAS MODEL NUMBER NOMENCLATURE

MODEL SERIES	C	A	S	0	9	1	H	A	A	0	A	0	0	A
Position Number	1	2	3	4	5	6	7	8	9	10	11	12	13	14
C = R-410A Condensing Unit														
A = Air Conditioning (Cooling Only) <span style="float: right;"><b>Type</b></span>														
S = Standard ASHRAE 90.1-2016 <span style="float: right;"><b>Efficiency</b></span>														
072 = 71,000 BTUH = 6 Tons 091 = 92,000 BTUH = 7.5 Tons (1 circuit) 120 = 117,000 BTUH = 10 Tons (2 circuit) 121 = 117,000 BTUH = 10 Tons (1 circuit) 150 = 148,000 BTUH = 12.5 Tons (2 circuit) 151 = 148,000 BTUH = 12.5 Tons (1 circuit) 180 = 180,000 BTUH = 15 Tons (2 circuit) 181 = 180,000 BTUH = 15 Tons (1 circuit) 240 = 240,000 BTUH = 20 Tons (2 circuit) 241 = 240,000 BTUH = 20 Tons (1 circuit) <span style="float: right;"><b>Nominal Cooling Capacity</b></span>														
H = 208/230-3-60 L = 460-3-60 S = 575-3-60 <span style="float: right;"><b>Voltage</b></span>														
A = Single Circuit B = Single Circuit w/ Low Ambient Control D = Dual Circuit E = Dual Circuit w/ Low Ambient Control G = Single Circuit 2 Stage (072 & 091 models only) H = Single Circuit 2 Stage w/ Low Ambient Control (072 & 091 models only) <span style="float: right;"><b>Refrigerant System Options</b></span>														
A = Cu/Al Cond. Round Tube Plate Fin Coil B = Precoat Al/Cu Cond. Round Tube Plate Fin Coil C = E-Coat Al/Cu Cond. Round Tube Plate Fin Coil E = Cu/Cu Cond. Round Tube Plate Fin Coil <span style="float: right;"><b>Outdoor Coil Options</b></span>														
0 = None 1 = Non-powered 115v Convenience Outlet <span style="float: right;"><b>Service Options</b></span>														
A = None C = Non-Fused Disconnect Switch <span style="float: right;"><b>Electrical Options</b></span>														
0 = Standard Electro-Mechanical Control <span style="float: right;"><b>Base Unit Controls</b></span>														
0 = No options, reserved for future use <span style="float: right;"><b>Future Use</b></span>														
A = Original Design <span style="float: right;"><b>Sales Digit</b></span>														

## CHS MODEL NUMBER NOMENCLATURE

MODEL SERIES	C	H	S	0	9	1	H	A	A	0	A	0	0	A
Position Number	1	2	3	4	5	6	7	8	9	10	11	12	13	14
C = R-410A Condensing Unit														
H = Heat Pump <span style="float: right;"><b>Type</b></span>														
S = Standard ASHRAE 90.1 -2016 <span style="float: right;"><b>Efficiency</b></span>														
072 = 6 Tons (Single Compressor) 091 = 7.5 Tons (Single Compressor) 121 = 10 Tons (Single Compressor) 180 = 15 Tons (Dual Compressor) 240 = 20 Tons (Dual Compressor) <span style="float: right;"><b>Nominal Cooling Capacity</b></span>														
H = 208/230-3-60 L = 460-3-60 S = 575-3-60 <span style="float: right;"><b>Voltage</b></span>														
A = Single Circuit B = Single Circuit w/ Low Ambient Control D = Dual Circuit E = Dual Circuit w/ Low Ambient Control G = Single Circuit, 2-stage (072, 091, 120 models only) H = Single Circuit, 2-stage w/ Low Ambient Control (072, 091, 120 models only) <span style="float: right;"><b>Refrigerant System Options</b></span>														
A = Standard Al Fin / Copper Tube B = Pre-Coated Al Fin / Copper Tube C = E-Coat Al Fin / Copper Tube <span style="float: right;"><b>Outdoor Coil Options</b></span>														
0 = None 1 = Non-powered 115v Convenience Outlet <span style="float: right;"><b>Service Options</b></span>														
A = None C = Non-Fused Disconnect <span style="float: right;"><b>Electrical Options</b></span>														
0 = Standard Electrical Mechanical <span style="float: right;"><b>Base Unit Controls</b></span>														
0 = No Options <span style="float: right;"><b>Future Use</b></span>														
A = Original Design														

# FAS MODEL NUMBER NOMENCLATURE

MODEL SERIES	F	A	S	0	9	1	M	A	A	A	0	A	0	A
<b>Position Number</b>	1	2	3	4	5	6	7	8	9	10	11	12	13	14
F = R-410A Fan Coil Unit														
A = Air Conditioning (Cooling Only) <span style="float: right;"><b>Type</b></span>														
S = Standard Efficiency <span style="float: right;"><b>Efficiency</b></span>														
072 = 6 Tons (1 circuit) 091 = 7.5 Tons (1 circuit) 120 = 10 Tons (2 circuit) 150 = 12.5 Tons (2 circuit) 180 = 15 Tons (2 circuit) 240 = 20 Tons (2 circuit) 300 = 25 Tons (2 circuit) 336 = 30 Tons (2 circuit) <span style="float: right;"><b>Nominal Tonnage</b></span>														
K = 208/230-1-60 (available on 6 and 7.5 ton only) H = 208/230-3-60 M = 460/208/230-3-60 L = 460-3-60 S = 575-3-60 <span style="float: right;"><b>Voltage</b></span>														
A = Standard Static Standard Efficiency Motor / Standard Drive <ul style="list-style-type: none"> <li>• 6 to 15 ton 208/230v, 460v, 575v-3-60, 6 and 7.5 ton 208/230-1-60, 1-speed</li> <li>• all 2-speed</li> </ul> B = High Static Standard Efficiency Motor / High Drive <ul style="list-style-type: none"> <li>• 6 to 15 ton 208/230V, 460v, 6 to 10 ton 575v-3-60, 1-speed</li> <li>• all 2-speed</li> </ul> D = Standard Static High Efficiency Motor / Standard Drive <ul style="list-style-type: none"> <li>• 20, 25, 30 ton all 3 phase</li> </ul> E = High Static High Efficiency Motor / High Drive <ul style="list-style-type: none"> <li>• 15 to 30 ton all 3 phase</li> </ul> <span style="float: right;"><b>Fan Motor Options</b></span>														
A = Cu/Al <span style="float: right;"><b>Indoor Coil</b></span>														
A = Future Use <span style="float: right;"><b>Future Use</b></span>														
0 = Single Speed Indoor Fan Motor 2 = Two Speed Indoor Fan Motor Controller (VFD) <span style="float: right;"><b>Fan Speed Controller</b></span>														
A = Standard - Unpainted B = Painted cabinet (Gray) <span style="float: right;"><b>Painted Cabinet Options</b></span>														
0 = Future Use <span style="float: right;"><b>Future Use</b></span>														
A = Standard														

**Notes:**

1. All FAS072-150 units with a "M" voltage designation are triple voltage; i.e., 208/230/460-3-60. FAS 180 units are also triple voltage in the "M" configuration unless the High Static motor option is used. "M" voltage is not available on 2-speed indoor fan motor option.
2. Single-phase 072 and 091 units designate standard motor and high static drive.



## FHS MODEL NUMBER NOMENCLATURE

MODEL SERIES	F	H	S	0	9	1	M	A	A	A	0	A	0	A
Position Number	1	2	3	4	5	6	7	8	9	10	11	12	13	14
F = R-410A Fan Coil Unit														
H = Heat Pump <span style="float: right;">Type</span>														
S = Standard Efficiency <span style="float: right;">Efficiency</span>														
072 = 6 Tons (1 circuit)														
091 = 7.5 Tons (1 circuit)														
120 = 10 Tons (2 circuit)														
180 = 15 Tons (2 circuit)														
240 = 20 Tons (2 circuit) <span style="float: right;">Nominal Tonnage</span>														
K = 208/230-1-60 (6 and 7.5 ton only)														
H = 208/230-3-60														
M = 460/208/230-3-60														
L = 460-3-60														
S = 575-3-60 <span style="float: right;">Voltage</span>														
A = Standard Static Standard Efficiency Motor / Standard Drive														
B = High (Alternate) Static Standard Efficiency Motor / High Drive (072 & 091 Only) High (Alternate) Static High A Efficiency Motor/ High Drive (120, 180, 240 Only)														
D = Standard Static High Efficiency Motor / Standard Drive														
E = High Static High Efficiency Motor / High Drive <span style="float: right;">Fan Motor Options</span>														
A = Al/Cu <span style="float: right;">Indoor Coil</span>														
A = Future Use														
0 = Single Speed Indoor Fan Motor														
2 = Two Speed Indoor Fan Motor Controller (VFD) <span style="float: right;">Fan Speed Controller</span>														
A = Standard – Unpainted														
B = Painted cabinet (Gray) <span style="float: right;">Painted Cabinet Options</span>														
0 = Future use <span style="float: right;">Future Use</span>														
A = Standard														

Single phase FHS072-091 units designate standard motor and high static drive.  
 All FHS072-120 with a "M" voltage designation are triple voltage; i.e., 208/230/460-3-60.  
 "M" voltage is not available on 2-speed indoor fan motor option.

# SMALL PACKAGE PRODUCTS 3-5 Ton THREE PHASE

## UP to 16 SEER, UP to 12.5 EER, PACKAGE AIR CONDITIONING UNITS, 2 – 5 TONS

**208/230 Volt, 1-phase, 60 Hz**

**208/230 Volt, 3-phase, 60 Hz**

### REFRIGERATION CIRCUIT

- Environmentally balanced R-410A refrigerant
- Copper tube/aluminum fin condenser and evaporator coils
- Tin-coated copper evaporator coil standard (single-phase only)
- Enhanced dehumidification feature on high stage cooling with use of a dehumidistat
- Two stage scroll compressors standard on all models

### EASY TO INSTALL AND SERVICE

- Installs easily on a rooftop or at ground level
- Easy three-panel accessibility for maintenance and installation
- Easily converts to down discharge applications

### BUILT TO LAST

- Hail guard (3/8-in. spacing) wire grilles standard
- Multi-speed ECM blower motor standard on all models
- Pre-painted steel cabinet
- Vertical condenser fan discharge
- Full perimeter steel base rails
- High and low pressure switches provide added reliability for the compressor
- Cabinet air leakage of 2.0% or less at 0.5 in. W.C. when tested in accordance with ASHRAE standard 193
- Single and 3-phase models with factory installed option for low cabinet air leakage and tin-coated copper evaporator main tubes (LC)
- Single phase models with factory installed hail guard (3/8-in. spacing) wire grilles plus tin-coated copper evaporator coil (TP)  
(Models with factory installed options are identified with letters in the 11<sup>th</sup> and 12<sup>th</sup> positions in the model number)

### LIMITED WARRANTY\*

- Single Phase PAR5 Models
  - 5 year No Hassle Replacement limited warranty
  - 5 year parts limited warranty (including compressor and coils)
    - With timely registration, an additional 5 year parts limited warranty (including compressor and coils)
- 3-Phase PAR5 Models
  - 5 year parts limited warranty (including compressor and coils)

\* For residential applications only. See warranty certificate for complete details and restrictions, including warranty coverage for other applications.



As an Energy Star® Partner, International Comfort Products has determined that this product meets the ENERGY STAR® guidelines for energy efficiency.



Use of the AHRI Certified TM Mark indicates a manufacturer's participation in the program. For verification of certification for individual products, go to [www.ahridirectory.org](http://www.ahridirectory.org).

UNIT PERFORMANCE DATA						
Model Number	COOLING				Unit Dimensions Height x Width x Depth Inches (mm)	Operating Weight lbs / kg
	Net Capacity BTU/h High Stage	Standard CFM High / Low Stage	SEER	EER		
PAR524000K**0A	23000	800/600	15.0	12.0	44-1/8 x 46-13/16 x 31-3/16 (1121 x 1189 x 792)	327/148
PAR530000‡**0A	29000	1000/750	15.0	12.0	44-1/8 x 46-13/16 x 31-3/16 (1121 x 1189 x 792)	334/152
PAR536000‡**0A	35400	1200/900	16.0	12.5	44-3/4 x 46-13/16 x 42-15/16 (1137 x 1189 x 1091)	389/176
PAR542000‡**0A	42000	1400/1050	16.0	12.5	44-3/4 x 46-13/16 x 42-15/16 (1137 x 1189 x 1091)	392/178
PAR548000‡**0A	47500	1600/1200	16.0	12.3	50-3/4 x 46-13/16 x 42-15/16 (1269 x 1189 x 1091)	444/201
PAR560000‡**0A	57000	1750/1200	16.0	12.3	52-3/4 x 46-13/16 x 42-15/16 (1340 x 1189 x 1091)	464/211

‡ = K – 208/230–1–60, H –208/230–3–60

\*\* = TP = Tin-coated copper coil, LC = Low Cabinet Air Leakage plus Tin Coated Copper Evaporator Main Tubes

Specifications subject to change without notice.

## Up to 14.0 SEER, 11.5 EER PACKAGE AIR CONDITIONER 208/230-1-60 Single Phase, 2-5 Nominal Tons (Sizes 24-60) 208/230-3-60 & 460-3-60 Three Phase, 3-5 Nominal Tons (Sizes 36-60)

### REFRIGERATION CIRCUIT

- Environmentally balanced R-410A refrigerant
- Copper tube/aluminum fin condenser and evaporator coils
- Dehumidification mode (airflow reduction) on all models

### EASY TO INSTALL AND SERVICE

- Installs easily on a rooftop or at ground level
- Easy three-panel accessibility for maintenance and installation
- Easily converts to down discharge applications

### BUILT TO LAST

- High efficiency ECM indoor blower motor on all models
- Vertical condenser fan discharge
- Full perimeter steel base rails
- High pressure switch (and low pressure switch – 24 & 30 sizes) for compressor reliability
- 2" spacing wire grilles standard on single and 3-phase models (00)
- Cabinet air leakage of 2.0% or less at 0.5 in. W.C. when tested in accordance with ASHRAE standard 193 (Low cabinet air leakage F10P models only)  
Models with factory installed options are identified with letters in the 11th and 12th positions in the model number
- Single and 3-phase models with factory installed option for low cabinet air leakage and tin-coated copper evaporator main tubes (LC)
- Single phase models with factory installed hail guard (3/8" spacing) wire grilles plus tin-coated copper evaporator coil (TP)

### LIMITED WARRANTY\*

#### 1 Phase PAD4 "E/H" Models

- 3 year No Hassle Replacement™ limited warranty for tin-coated 'TP' models
- 10 year parts limited warranty (including compressor and coils) with timely registration
- 5 year parts limited warranty if not registered within 90 days of original installation

#### 3 Phase PAD4 "E" Models

- 5 year compressor limited warranty
- 1 year parts limited warranty

\* See warranty certificate for complete details and restrictions



Use of the AHRI Certified TM Mark indicates a manufacturer's participation in the program. For verification of certification for individual products, go to [www.ahridirectory.org](http://www.ahridirectory.org).



UNIT PERFORMANCE DATA					
Model Number	COOLING			Unit Dimensions Height x Width x Depth in (mm)	Operating Weight lbs (kg)
	Capacity BTU/h	SEER	EER		
<b>208/230-1-60</b>					
PAD424000†**0E	23,000	14.0	11.5	43 <sup>3</sup> / <sub>4</sub> x 48 <sup>3</sup> / <sub>16</sub> x 32 <sup>5</sup> / <sub>8</sub> (1111 x 1224 x 829)	304 (138)
PAD430000†**0H	28,600	14.0	11.5	45 <sup>3</sup> / <sub>4</sub> x 48 <sup>3</sup> / <sub>16</sub> x 32 <sup>5</sup> / <sub>8</sub> (1162 x 1224 x 829)	320 (145)
PAD436000†**0E	34,800	14.0	11.5	51 <sup>3</sup> / <sub>4</sub> x 48 <sup>3</sup> / <sub>16</sub> x 32 <sup>5</sup> / <sub>8</sub> (1315 x 1224 x 829)	349 (158)
PAD442000†**0E	40,000	14.0	11.5	44 <sup>3</sup> / <sub>4</sub> x 48 <sup>1</sup> / <sub>4</sub> x 44 <sup>3</sup> / <sub>16</sub> (1137 x 1226 x 1123)	413 (187)
PAD448000†**0E	46,000	14.0	11.5	52 <sup>3</sup> / <sub>4</sub> x 48 <sup>1</sup> / <sub>4</sub> x 44 <sup>3</sup> / <sub>16</sub> (1340 x 1226 x 1123)	438 (199)
PAD460000†**0E	56,000	14.0	11.5	54 <sup>3</sup> / <sub>4</sub> x 48 <sup>1</sup> / <sub>4</sub> x 44 <sup>3</sup> / <sub>16</sub> (1391 x 1226 x 1123)	455 (206)
<b>208/230-3-60</b>					
PAD436000†**0E	34,800	14.0	11.5	51 <sup>3</sup> / <sub>4</sub> x 48 <sup>3</sup> / <sub>16</sub> x 32 <sup>5</sup> / <sub>8</sub> (1315 x 1224 x 829)	349 (158)
PAD442000†**0E	41,000	14.0	11.5	44 <sup>3</sup> / <sub>4</sub> x 48 <sup>1</sup> / <sub>4</sub> x 44 <sup>3</sup> / <sub>16</sub> (1137 x 1226 x 1123)	413 (187)
PAD448000†**0E	47,000	14.0	11.5	52 <sup>3</sup> / <sub>4</sub> x 48 <sup>1</sup> / <sub>4</sub> x 44 <sup>3</sup> / <sub>16</sub> (1340 x 1226 x 1123)	438 (199)
PAD460000†**0E	57,000	14.0	11.5	54 <sup>3</sup> / <sub>4</sub> x 48 <sup>1</sup> / <sub>4</sub> x 44 <sup>3</sup> / <sub>16</sub> (1391 x 1226 x 1123)	455 (206)
<b>460-3-60</b>					
PAD436000†**0E	34,200	14.0	11.5	51 <sup>3</sup> / <sub>4</sub> x 48 <sup>3</sup> / <sub>16</sub> x 32 <sup>5</sup> / <sub>8</sub> (1315 x 1224 x 829)	349 (158)
PAD442000†**0E	41,000	14.0	11.5	44 <sup>3</sup> / <sub>4</sub> x 48 <sup>1</sup> / <sub>4</sub> x 44 <sup>3</sup> / <sub>16</sub> (1137 x 1226 x 1123)	413 (187)
PAD448000†**0E	47,000	14.0	11.5	52 <sup>3</sup> / <sub>4</sub> x 48 <sup>1</sup> / <sub>4</sub> x 44 <sup>3</sup> / <sub>16</sub> (1340 x 1226 x 1123)	438 (199)
PAD460000†**0E	57,000	14.0	11.5	54 <sup>3</sup> / <sub>4</sub> x 48 <sup>1</sup> / <sub>4</sub> x 44 <sup>3</sup> / <sub>16</sub> (1391 x 1226 x 1123)	455 (206)

† K = 208-230/1/60, H = 208-230/3/60, L = 460/3/60

\*\* 00 = No Options, TP = Tin-Plated Evaporator Main Tubes (Single Phase 24-60 sizes), LC = Low Cabinet Air Leakage plus Tin-Plated Copper Evaporator Main Tubes

Specifications subject to change without notice.

## Up to 16 SEER, Up to 12.5 EER, PACKAGE GAS / ELECTRIC UNIT, 2 to 5 TONS 208/230-1-60, Single Phase 208/230-3-60, Three Phase

### REFRIGERATION CIRCUIT

- Environmentally balanced R-410A refrigerant
- Copper tube/aluminum fin condenser and evaporator coils
- Tin-plated copper evaporator coil standard (single-phase only)
- Two stage scroll compressors standard on all models
- Two stage gas valve and two speed inducer motor on all models

### EASY TO INSTALL AND SERVICE

- Installs easily on a rooftop or at ground level
- Easy three-panel accessibility for maintenance and installation
- Easily converts to down discharge applications
- Combination two-stage gas heating and electric cooling
- Low NOx units are designed for California installations and meet 40 ng/J NOx emissions. Can be installed in air quality management districts with a 40 ng/J NOx emissions requirement.

### BUILT TO LAST

- Hail guard (3/8" spacing) wire grilles standard
- Induced-draft combustion and venting
- High efficiency ECM blower motor on all models
- High efficiency two-speed inducer motor on single phase models
- Pre-painted steel cabinet
- Direct spark ignition
- Stainless Steel tubular heat exchanger standard
- Vertical condenser fan discharge
- Full perimeter steel base rails
- Crankcase heaters on select models
- High and low pressure switches provide added reliability for the compressor
- Cabinet air leakage of 2.0% or less at .5 in. W.C. when tested in accordance with ASHRAE standard 193
- Models with factory installed options are identified with letters in the 11th and 12th positions in the model number
- Factory installed tin-plated copper evaporator main tubes PGR5 (GP)
- Single and 3-phase models with factory installed option for low cabinet air leakage and tin-plated copper evaporator main tubes PGR5 (GC)

### LIMITED WARRANTY\*

- 1 Phase PGR5 Models
  - 5 year No Hassle Replacement™ limited warranty
  - 10 year parts limited warranty (including compressor and coils) and lifetime heat exchanger limited warranty with timely registration
  - 5 year parts limited warranty and 20 year heat exchanger limited warranty if not registered within 90 days of original installation.
- 3 Phase PGR5 Models
  - 10 year heat exchanger limited warranty
  - 5 year compressor limited warranty
  - 1 year parts limited warranty

\* See warranty certificate for complete details and restrictions



Use of the AHRI Certified TM Mark indicates a manufacturer's participation in the program. For verification of certification for individual products, go to [www.ahridirectory.org](http://www.ahridirectory.org).



As an Energy Star Partner, International Comfort Products has determined that this product meets the ENERGY STAR® guidelines for energy efficiency.



### UNIT PERFORMANCE DATA

Model Number	COOLING			HEATING			Unit Dimensions Height x Width x Depth inches (mm)	Operating Weight lbs (kg)	
	Net Capacity BTU/h High Stage	SEER	EER	Input BTU/h High/Low	Efficiency AFUE %			1Ø	3Ø
					1Ø	3Ø			
PGR524040K**◆	23,000	15.0	12.0	40,000/26,000	81.0	-	44-1/8 x 47 x 31-7/16 (1121 x 1194 x 799)	342 (155)	-
PGR524060K**◆	23,000	15.0	12.0	60,000/39,000	81.0	-		-	
PGR530040‡**◆	29,000	15.0	12.0	40,000/26,000	81.0	78.0		376 (170)	376 (170)
PGR530060‡**◆	29,000	15.0	12.0	60,000/39,000	81.0	78.6			
PGR536060‡**◆	35,400	16.0	12.5	60,000/39,000	81.0	78.6	44-3/4 x 47 x 42-15/16 (1137 x 1194 x 1091)	463 (210)	463 (210)
PGR536090‡**◆	35,400	16.0	12.5	90,000/58,500	81.0	79.2			
PGR542060‡**◆	42,000	16.0	12.5	60,000/39,000	81.0	78.6			
PGR542090‡**◆	42,000	16.0	12.5	90,000/58,500	81.0	79.2			
PGR548090‡**◆	47,500	16.0	12.3	90,000/58,500	81.0	79.2	50-3/4 x 47 x 42-15/16 (1289 x 1194 x 1091)	481 (218)	481 (218)
PGR548115‡**◆	47,500	16.0	12.3	115,000/75,000	81.0	80.1			
PGR548130K**◆	47,500	16.0	12.3	127,000/84,500	81.0	-			
PGR548130H**◆	47,500	16.0	12.3	130,000/84,500	-	80.0			
PGR560090‡**◆	57,000	16.0	12.3	90,000/58,500	81.0	79.2	52-3/4 x 47 x 42-15/16 (1340 x 1194 x 1091)	509 (231)	509 (231)
PGR560115‡**◆	57,000	16.0	12.3	115,000/75,000	81.0	80.1			
PGR560130K**◆	57,000	16.0	12.3	127,000/84,500	81.0	-			
PGR560130H**◆	57,000	16.0	12.3	130,000/84,500	-	80.0			

‡ K = 208/230-1-60H = 208/230-3-60

\*\* GC = Low cabinet air leakage plus Tin-Plated Copper Evaporator Main Tubes, Stainless Steel Heat Exchanger GP = Tin-Plated Evaporator Main Tubes (single phase)

◆ 0 = Standard, 1 = Low NOx

Specifications subject to change without notice.

## Up to 14.5 SEER PACKAGE GAS/ELECTRIC, 2 to 5 TONS

Single Phase, 208/230 V, 60 Hz

### REFRIGERATION CIRCUIT

- Environmentally balanced R-410A refrigerant
- Copper tube/aluminum fin condenser and evaporator coils
- Dehumidification mode (airflow reduction) on all models
- Low NOx (40 ng/J emissions limit) and Ultra Low NOx (14 ng/J emissions limit) are for use in select air quality districts in CA. For districts that require 40 ng/J limit, either Low NOx or Ultra Low Nox may be used. For districts that require 14 ng/J limit, Ultra Low NOx must be used.

### EASY TO INSTALL AND SERVICE

- Installs easily on a rooftop or at ground level
- Easy three-panel accessibility for maintenance and installation
- Easily converts to down discharge applications
- Combination gas heating and electric cooling
- Low NOx and Ultra Low NOx units available

### BUILT TO LAST

- Induced-draft combustion and venting
- Pre-painted steel cabinet
- Direct spark ignition
- High efficiency ECM indoor blower motor on all models
- Vertical condenser fan discharge
- Full perimeter steel base rails
- High pressure switch provides added reliability for the compressor
- Aluminized steel tubular heat exchanger and wire grilles with 2 inch spacing on all models (00)
- Cabinet air leakage of 2.0% or less at 0.5 in. W.C. when tested in accordance with ASHRAE standard 193 (Low cabinet air leakage FIOP models only; not available for Ultra Low NOx.) Models with factory installed options are identified with letters in the 11th and 12th positions in the model number
- Factory installed option for tin-coated copper evaporator main tubes (TP)
- Factory installed option for low cabinet air leakage and tin-coated copper evaporator main tubes (LC)

### LIMITED WARRANTY\*

- 15 year heat exchanger limited warranty
- 10 year parts limited warranty (including compressor and coils) with timely registration
- 5 year parts limited warranty and 15 year heat exchanger limited warranty if not registered within 90 days of original installation

\* See warranty certificate for complete details and restrictions.



Use of the AHRI Certified TM Mark indicates a manufacturer's participation in the program. For verification of certification for individual products, go to [www.ahridirectory.org](http://www.ahridirectory.org).

Specifications subject to change without notice.

# PGD4 (continued)

UNIT PERFORMANCE DATA - BASE UNITS								
Model Number	Cooling			Heating		Height x Width x Depth in (mm)	Shipping Weight lbs (kg)	Price
	Capacity BTU/h	SEER	EER	Input BTU/h	AFUE %			
PGD424040K000G	23,600	14.0	11.5	40,000	81.0	43-3/4 x 48-3/16 x 32-5/8 (1111 x 1224 x 829)	329 (149)	
PGD424040KLC0G	23,600	14.0	11.5	40,000	81.0		329 (149)	
PGD424040KTP0G	23,600	14.0	11.5	40,000	81.0		329 (149)	
PGD424060K000G	23,600	14.0	11.5	60,000	81.0		329 (149)	
PGD424060KLC0G	23,600	14.0	11.5	60,000	81.0		329 (149)	
PGD424060KTP0G	23,600	14.0	11.5	60,000	81.0		329 (149)	
PGD430040K000H	28,600	14.0	11.5	40,000	81.0	45-3/4 x 48-3/16 x 32-5/8 (1162 x 1224 x 829)	361 (164)	
PGD430040KLC0H	28,600	14.0	11.5	40,000	81.0		361 (164)	
PGD430040KTP0H	28,600	14.0	11.5	40,000	81.0		361 (164)	
PGD430060K000H	28,600	14.0	11.5	60,000	81.0		361 (164)	
PGD430060KLC0H	28,600	14.0	11.5	60,000	81.0		361 (164)	
PGD430060KTP0H	28,600	14.0	11.5	60,000	81.0		361 (164)	
PGD436060K000G	34,200	14.0	11.5	60,000	81.0	51-3/4 x 48-3/16 x 32-5/8 (1315 x 1224 x 829)	390 (177)	
PGD436060KLC0G	34,200	14.0	11.5	60,000	81.0		390 (177)	
PGD436060KTP0G	34,200	14.0	11.5	60,000	81.0		390 (177)	
PGD436090K000G	34,200	14.0	11.5	90,000	81.0		390 (177)	
PGD436090KLC0G	34,200	14.0	11.5	90,000	81.0		390 (177)	
PGD436090KTP0G	34,200	14.0	11.5	90,000	81.0		390 (177)	
PGD442060K000G	41,000	14.0	11.5	60,000	81.0	44-3/4 x 48-3/16 x 44-1/8 (1137 x 1224 x 1123)	455 (206)	
PGD442060KLC0G	41,000	14.0	11.5	60,000	81.0		455 (206)	
PGD442060KTP0G	41,000	14.0	11.5	60,000	81.0		455 (206)	
PGD442090K000G	41,000	14.0	11.5	90,000	81.0		455 (206)	
PGD442090KLC0G	41,000	14.0	11.5	90,000	81.0		455 (206)	
PGD442090KTP0G	41,000	14.0	11.5	90,000	81.0		455 (206)	
PGD448090K000G	47,000	14.0	11.5	90,000	81.0	52-3/4 x 48-3/16 x 44-1/8 (1340 x 1224 x 1123)	480 (218)	
PGD448090KLC0G	47,000	14.0	11.5	90,000	81.0		480 (218)	
PGD448090KTP0G	47,000	14.0	11.5	90,000	81.0		480 (218)	
PGD448115K000G	47,000	14.0	11.5	115,000	81.0		480 (218)	
PGD448115KLC0G	47,000	14.0	11.5	115,000	81.0		480 (218)	
PGD448115KTP0G	47,000	14.0	11.5	115,000	81.0		480 (218)	
PGD448130K000G	47,000	14.0	11.5	127,000	81.0	54-3/4 x 48-3/16 x 44-1/8 (1391 x 1224 x 1123)	480 (218)	
PGD448130KLC0G	47,000	14.0	11.5	127,000	81.0		480 (218)	
PGD448130KTP0G	47,000	14.0	11.5	127,000	81.0		480 (218)	
PGD460090K000G	57,000	14.0	11.5	90,000	81.0		497 (225)	
PGD460090KLC0G	57,000	14.0	11.5	90,000	81.0		497 (225)	
PGD460090KTP0G	57,000	14.0	11.5	90,000	81.0		497 (225)	
PGD460115K000G	57,000	14.0	11.5	115,000	81.0	54-3/4 x 48-3/16 x 44-1/8 (1391 x 1224 x 1123)	497 (225)	
PGD460115KLC0G	57,000	14.0	11.5	115,000	81.0		497 (225)	
PGD460115KTP0G	57,000	14.0	11.5	115,000	81.0		497 (225)	
PGD460130K000G	57,000	14.0	11.5	127,000	81.0		497 (225)	
PGD460130KLC0G	57,000	14.0	11.5	127,000	81.0		497 (225)	
PGD460130KTP0G	57,000	14.0	11.5	127,000	81.0		497 (225)	

00 = Standard

LC = Low cabinet air leakage and Tin Plated Evaporator Main Tubes plus Stainless Steel Heat Exchanger

TP = Tin Plated Evaporator Main Tubes plus Stainless Steel Heat Exchanger

Specifications subject to change without notice.

# PGD4 (continued)

## UNIT PERFORMANCE DATA - Low NOx

Model Number	Cooling			Heating		Height x Width x Depth in (mm)	Shipping Weight lbs (kg)	Price
	Capacity BTU/h	SEER	EER	Input BTU/h	AFUE %			
PGD424040K001G	23,600	14.0	11.5	40,000	81.0	43-3/4 x 48-3/16 x 32-5/8 (1111 x 1224 x 829)	329 (149)	
PGD424040KTP1G	23,600	14.0	11.5	40,000	81.0		329 (149)	
PGD424060K001G	23,600	14.0	11.5	60,000	81.0		329 (149)	
PGD424060KTP1G	23,600	14.0	11.5	60,000	81.0	45-3/4 x 48-3/16 x 32-5/8 (1162 x 1224 x 829)	329 (149)	
PGD430040K001H	28,600	14.0	11.5	40,000	81.0		361 (164)	
PGD430040KTP1H	28,600	14.0	11.5	40,000	81.0		361 (164)	
PGD430060K001H	28,600	14.0	11.5	60,000	81.0	51-3/4 x 48-3/16 x 32-5/8 (1315 x 1224 x 829)	361 (164)	
PGD430060KTP1H	28,600	14.0	11.5	60,000	81.0		361 (164)	
PGD436060K001G	34,200	14.0	11.5	60,000	81.0		349 (158)	
PGD436060KTP1G	34,200	14.0	11.5	60,000	81.0	44-3/4 x 48-3/16 x 44-1/8 (1137 x 1224 x 1123)	349 (158)	
PGD436090K001G	34,200	14.0	11.5	90,000	81.0		349 (158)	
PGD436090KTP1G	34,200	14.0	11.5	90,000	81.0		349 (158)	
PGD442060K001G	41,000	14.0	11.5	60,000	81.0	52-3/4 x 48-3/16 x 44-1/8 (1340 x 1224 x 1123)	455 (206)	
PGD442060KTP1G	41,000	14.0	11.5	60,000	81.0		455 (206)	
PGD442090K001G	41,000	14.0	11.5	90,000	81.0		455 (206)	
PGD442090KTP1G	41,000	14.0	11.5	90,000	81.0	54-3/4 x 48-3/16 x 44-1/8 (1391 x 1224 x 1123)	455 (206)	
PGD448090K001G	47,000	14.0	11.5	90,000	81.0		480 (218)	
PGD448090KTP1G	47,000	14.0	11.5	90,000	81.0		480 (218)	
PGD448115K001G	47,000	14.0	11.5	115,000	81.0	480 (218)	480 (218)	
PGD448115KTP1G	47,000	14.0	11.5	115,000	81.0		480 (218)	
PGD448130K001G	47,000	14.0	11.5	127,000	81.0		480 (218)	
PGD448130KTP1G	47,000	14.0	11.5	127,000	81.0	480 (218)	480 (218)	
PGD460090K001G	57,000	14.0	11.5	90,000	81.0		497 (225)	
PGD460090KTP1G	57,000	14.0	11.5	90,000	81.0		497 (225)	
PGD460115K001G	57,000	14.0	11.5	115,000	81.0	497 (225)	497 (225)	
PGD460115KTP1G	57,000	14.0	11.5	115,000	81.0		497 (225)	
PGD460130K001G	57,000	14.0	11.5	127,000	81.0		497 (225)	
PGD460130KTP1G	57,000	14.0	11.5	127,000	81.0	497 (225)		

00 = Standard

LC = Low cabinet air leakage and Tin Plated Evaporator Main Tubes plus Stainless Steel Heat Exchanger

TP = Tin Plated Evaporator Main Tubes plus Stainless Steel Heat Exchanger

## UNIT PERFORMANCE DATA - Ultra Low NOx

Model Number	Cooling			Heating		Height x Width x Depth in (mm)	Shipping Weight lbs (kg)	Price
	Capacity BTU/h	SEER	EER	Input BTU/h	AFUE %			
PGD424060K002G	24,000	14.0	11.5	40,000	81.0	43-3/4 x 48-3/16 x 32-5/8 (1111 x 1224 x 829)	329 (149)	
PGD424040KTP2G	24,000	14.0	11.5	40,000	81.0		329 (149)	
PGD430060K002H	28,600	14.0	11.5	40,000	81.0	45-3/4 x 48-3/16 x 32-5/8 (1162 x 1224 x 829)	361 (164)	
PGD430060KTP2H	28,600	14.0	11.5	40,000	81.0		361 (164)	
PGD436060K002G	34,200	14.0	11.5	60,000	81.0	51-3/4 x 48-3/16 x 32-5/8 (1315 x 1224 x 829)	390 (177)	
PGD436060KTP2G	34,200	14.0	11.5	60,000	81.0		390 (177)	
PGD442060K002G	41,000	14.0	11.5	60,000	81.0	44-3/4 x 48-3/16 x 44-1/8 (1137 x 1224 x 1123)	455 (206)	
PGD442090K002G	41,000	14.0	11.5	89,000	81.0		455 (206)	
PGD442060KTP2G	41,000	14.0	11.5	89,000	81.0		455 (206)	
PGD442090KTP2G	41,000	14.0	11.5	89,000	81.0	52-3/4 x 48-3/16 x 44-1/8 (1340 x 1224 x 1123)	455 (206)	
PGD448090K002G	47,000	14.0	11.5	89,000	81.0		480 (218)	
PGD448090KTP2G	47,000	14.0	11.5	89,000	81.0		480 (218)	
PGD460090K002G	57,000	14.0	11.5	89,000	81.0	54-3/4 x 48-3/16 x 44-1/8 (1391 x 1224 x 1123)	497 (225)	
PGD460090KTP2G	57,000	14.0	11.5	89,000	81.0		497 (225)	

00 = Standard

LC = Low cabinet air leakage and Tin Plated Evaporator Main Tubes plus Stainless Steel Heat Exchanger

TP = Tin Plated Evaporator Main Tubes plus Stainless Steel Heat Exchanger

Specifications subject to change without notice.



## Up to 14.5 SEER PACKAGE GAS/ELECTRIC, 2 to 5 TONS Single Phase, 208/230 V, 60 Hz

### REFRIGERATION CIRCUIT

- Environmentally balanced R-410A refrigerant
- Tin-coated copper evaporator coil standard
- Dehumidification mode (airflow reduction) on all models
- Low NOx (40 ng/J emissions limit) and Ultra Low NOx (14 ng/J emissions limit) are for use in select air quality districts in CA. For districts that require 40 ng/J limit, either Low NOx or Ultra Low Nox may be used. For districts that require 14 ng/J limit, Ultra Low NOx must be used.

### EASY TO INSTALL AND SERVICE

- Installs easily on a rooftop or at ground level
- Easy three-panel accessibility for maintenance and installation
- Easily converts to down discharge applications
- Combination gas heating and electric cooling
- Low NOx units available

### BUILT TO LAST

- Hail guard (3/8" spacing) wire grilles on all models
- Stainless steel tubular heat exchanger
- Induced-draft combustion and venting
- Pre-painted steel cabinet
- Direct spark ignition
- High efficiency ECM indoor blower motor on all models
- Vertical condenser fan discharge
- Full perimeter steel base rails
- High pressure switch provides added reliability for the compressor
- Cabinet air leakage of 2.0% or less at 0.5 in. W.C. when tested in accordance with ASHRAE standard 193 (Low cabinet air leakage FIOP models only; not applicable for Ultra Low NOx)  
Models with factory installed options are identified with letters in the 11th and 12th positions in the model number
- Factory installed option for tin-coated copper evaporator main tubes (GP)
- Factory installed option for low cabinet air leakage and tin-coated copper evaporator main tubes (GC)

### LIMITED WARRANTY\*

- 3 year No Hassle Replacement limited warranty
- 10 year parts limited warranty (including compressor and coils) with timely registration
- 5 year parts limited warranty and 20 year heat exchanger limited warranty if not registered within 90 days of original installation

\* See warranty certificate for complete details and restrictions.



Use of the AHRI Certified TM Mark indicates a manufacturer's participation in the program. For verification of certification for individual products, go to [www.ahridirectory.org](http://www.ahridirectory.org).

# PGS4 (continued)

## UNIT PERFORMANCE DATA — Standard and Low NOx

Model Number	Cooling			Heating		Height x Width x Depth in (mm)	Shipping Weight lbs	Price
	Capacity	SEER	EER	Input	AFUE			
PGS424040KGC0G	23,600	14.0	11.5	40,000	81.0	43-3/4 x 48-3/16 x 32-5/8 (1111 x 1224 x 829)	329 (149)	
PGS424040KGP*G	23,600	14.0	11.5	40,000	81.0		329 (149)	
PGS424060KGC0G	23,600	14.0	11.5	60,000	81.0		329 (149)	
PGS424060KGP*G	23,600	14.0	11.5	60,000	81.0		329 (149)	
PGS430040KGC*H	28,600	14.0	11.5	40,000	81.0	45-3/4 x 48-3/16 x 32-5/8 (1162 x 1224 x 829)	361 (164)	
PGS430040KGP*H	28,600	14.0	11.5	40,000	81.0		361 (164)	
PGS430060KGC*H	28,600	14.0	11.5	60,000	81.0		361 (164)	
PGS430060KGP*H	28,600	14.0	11.5	60,000	81.0		361 (164)	
PGS436060KGC*G	34,800	14.0	11.5	60,000	81.0	51-3/4 x 48-3/16 x 32-5/8 (1315 x 1224 x 829)	390 (177)	
PGS436060KGP*G	34,800	14.0	11.5	60,000	81.0		390 (177)	
PGS436090KGC*G	34,800	14.0	11.5	90,000	81.0		390 (177)	
PGS436090KGP*G	34,800	14.0	11.5	90,000	81.0		390 (177)	
PGS442060KGC*G	41,000	14.0	11.5	60,000	81.0	44-3/4 x 48-3/16 x 44-1/8 (1137 x 1224 x 1123)	455 (206)	
PGS442060KGP*G	41,000	14.0	11.5	60,000	81.0		455 (206)	
PGS442090KGC*G	41,000	14.0	11.5	90,000	81.0		455 (206)	
PGS442090KGP*G	41,000	14.0	11.5	90,000	81.0		455 (206)	
PGS448090KGC*G	47,000	14.0	11.5	90,000	81.0	52-3/4 x 48-3/16 x 44-1/8 (1340 x 1224 x 1123)	480 (218)	
PGS448090KGP*G	47,000	14.0	11.5	90,000	81.0		480 (218)	
PGS448115KGC*G	47,000	14.0	11.5	115,000	81.0		480 (218)	
PGS448115KGP*G	47,000	14.0	11.5	115,000	81.0		480 (218)	
PGS448130KGC*G	47,000	14.0	11.5	127,000	81.0		480 (218)	
PGS448130KGP*G	47,000	14.0	11.5	127,000	81.0		480 (218)	
PGS460090KGC*G	57,000	14.0	11.5	90,000	81.0	54-3/4 x 48-3/16 x 44-1/8 (1391 x 1224 x 1123)	497 (225)	
PGS460090KGP*G	57,000	14.0	11.5	90,000	81.0		497 (225)	
PGS460115KGC*G	57,000	14.0	11.5	115,000	81.0		497 (225)	
PGS460115KGP*G	57,000	14.0	11.5	115,000	81.0		497 (225)	
PGS460130KGC*G	57,000	14.0	11.5	127,000	81.0		497 (225)	
PGS460130KGP*G	57,000	14.0	11.5	127,000	81.0		497 (225)	

\* - 0 = Standard, 1 = Low NOx

GC = Low cabinet air leakage plus Tin Coated Copper Evaporator Main Tubes plus Stainless Steel Heat Exchanger

GP = Tin Plated Evaporator Main Tubes plus Stainless Steel Heat Exchanger

## UNIT PERFORMANCE DATA — Ultra Low NOx

Model Number	Cooling			Heating		Height x Width x Depth in (mm)	Shipping Weight lbs	Price
	Capacity	SEER	EER	Input	AFUE			
PGS424060KGP2G	23,600	14.0	11.5	40,000	81.0	43-3/4 x 48-3/16 x 32-5/8 (1111 x 1224 x 829)	329 (149)	
PGS430060KGP2H	28,600	14.0	11.5	40,000	81.0	45-3/4 x 48-3/16 x 32-5/8 (1162 x 1224 x 829)	361 (164)	
PGS436060KGP2G	34,800	14.0	11.5	60,000	81.0	51-3/4 x 48-3/16 x 32-5/8 (1315 x 1224 x 829)	390 (177)	
PGS442060KGP2G	41,000	14.0	11.5	60,000	81.0	44-3/4 x 48-3/16 x 44-1/8 (1137 x 1224 x 1123)	455 (206)	
PGS442090KGP2G				89,000				
PGS448090KGP2G	47,000	14.0	11.5	89,000	81.0	52-3/4 x 48-3/16 x 44-1/8 (1340 x 1224 x 1123)	480 (218)	
PGS460090KGP2G	57,000	14.0	11.5	89,000	81.0	54-3/4 x 48-3/16 x 44-1/8 (1391 x 1224 x 1123)	497 (225)	

Specifications subject to change without notice.

# PDD4, PDS4

## Up to 14.5 SEER PACKAGE DUAL FUEL HEAT PUMP

208/230-1-60, Single Phase, 2-5 Nominal Tons (Sizes 24-60)

208/230-3-60, Three Phase, 3-5 Nominal Tons (Sizes 36-60)

### REFRIGERATION CIRCUIT

- Environmentally balanced R-410A refrigerant
- Scroll compressor standard on all models
- Copper tube/aluminum fin condenser and evaporator coils
- Dehumidification mode (airflow reduction) on all models

### EASY TO INSTALL AND SERVICE

- Installs easily on a rooftop or at ground level
- Easy three-panel accessibility for maintenance and installation
- Easily converts to down discharge applications
- Combination gas heating, heat pump heating, and electric cooling
- Low NOx units are designed for California installations and meet 40 ng/J NOx emissions. Can be installed in air quality management districts with a 40 ng/J NOx emissions requirement.

### BUILT TO LAST

- Induced-draft combustion and venting
- Pre-painted steel cabinet
- Direct spark ignition
- High efficiency ECM indoor blower motor on all models
- Vertical condenser fan discharge
- Full perimeter steel base rails
- High and low pressure switches provide added reliability for the compressor
- Aluminized steel tubular heat exchanger and 2" spacing wire grilles on PDD4 models (00), Stainless Steel tubular heat exchanger and hail guard (3/8" spacing) wire grilles on PDS4 models
- PDS4 single phase models with factory installed tin-plated copper evaporator main tubes (GP) PDS4 3-phase models with standard evaporator tubes (GP)
- Models with factory installed options are identified with letters in the 11th and 12th positions in the model number

### LIMITED WARRANTY\*

#### 1 Phase PDS4 "G" Models

- 3 year No Hassle Replacement™ limited warranty
- 10 year parts limited warranty (including compressor and coils) and lifetime heat exchanger limited warranty with timely registration
- 5 year parts limited warranty and 20 year heat exchanger limited warranty if not registered within 90 days of original installation

#### 1 Phase PDD4 "G" Models

- 15 year heat exchanger limited warranty
- 10 year parts limited warranty (including compressor and coils) with timely registration
- 5 year parts limited warranty if not registered within 90 days of original installation.

#### 3 Phase PDS4, PDD4 "E" Models

- 10 year heat exchanger limited warranty
- 5 year compressor limited warranty
- 1 year parts limited warranty

\* See warranty certificate for complete details and restrictions



Use of the AHRI Certified TM Mark indicates a manufacturer's participation in the program. For verification of certification for individual products, go to [www.ahridirectory.org](http://www.ahridirectory.org).



### UNIT PERFORMANCE DATA

Aluminized Steel Heat Exchanger	Stainless Steel Heat Exchanger	COOLING			HEAT PUMP HEATING		GAS HEATING		Unit Dimensions Height x Width x Depth in (mm)	Operating Weight lbs (kg)
		Capacity BTU/h	SEER	EER	Capacity BTU/h	HSPF	Input BTU/h	Efficiency AFUE % 1Ø 3Ø		
PDD42404K00#	PDS42404KG^#	23,000	14.5	12.0	22,600	8.0	40,000	81.0 -	47 <sup>3</sup> / <sub>4</sub> x 48 <sup>3</sup> / <sub>16</sub> x 32 <sup>5</sup> / <sub>8</sub> (1213 x 1224 x 829)	311 (141)
PDD42406K00#	PDS42406KG^#	23,000	14.5	12.0	22,600	8.0	60,000	81.0 -		311 (141)
PDD43004K00#	PDS43004KG^#	28,600	14.0	11.5	28,400	8.0	40,000	81.0 -	51 <sup>3</sup> / <sub>4</sub> x 48 <sup>3</sup> / <sub>16</sub> x 32 <sup>5</sup> / <sub>8</sub> (1315 x 1224 x 829)	351 (159)
PDD43006K00#	PDS43006KG^#	28,600	14.0	11.5	28,400	8.0	60,000	81.0 -		351 (159)
PDD436060±00#	PDS436060±G^#	34,200	14.0	11.5	34,400	8.0	60,000	81.0 78.5	48 <sup>3</sup> / <sub>4</sub> x 48 <sup>3</sup> / <sub>16</sub> x 44 <sup>1</sup> / <sub>8</sub> (1238 x 1224 x 1122)	387 (176)
PDD436090±00#	PDS436090±G^#	34,200	14.0	11.5	34,400	8.0	90,000	81.0 80.4		387 (176)
PDD442060±00#	PDS442060±G^#	41,000	14.0	11.5	40,000	8.0	60,000	81.0 78.5		435 (197)
PDD442090±00#	PDS442090±G^#	41,000	14.0	11.5	40,000	8.0	90,000	81.0 80.4		435 (197)
PDD448090±00#	PDS448090±G^#	48,000	14.0	12.0	46,000	8.0	90,000	81.0 80.4	54 <sup>3</sup> / <sub>4</sub> x 48 <sup>3</sup> / <sub>16</sub> x 44 <sup>1</sup> / <sub>8</sub> (1391 x 1224 x 1122)	456 (207)
PDD448115±00#	PDS448115±G^#	48,000	14.0	12.0	46,000	8.0	115,000	81.0 80.3		456 (207)
PDD448130K00#	PDS448130KG^#	48,000	14.0	12.0	46,000	8.0	127,000	81.0 -		456 (207)
PDD448130H00#	PDS448130HG^#	48,000	14.0	12.0	46,000	8.0	130,000	- 78.9		456 (207)
PDD460090±00#	PDS460090±G^#	57,500	14.0	11.5	57,500	8.0	90,000	81.0 80.4		487 (221)
PDD460115±00#	PDS460115±G^#	57,500	14.0	11.5	57,500	8.0	115,000	81.0 80.3	48 <sup>3</sup> / <sub>4</sub> x 48 <sup>3</sup> / <sub>16</sub> x 44 <sup>1</sup> / <sub>8</sub> (1238 x 1224 x 1122)	487 (221)
PDD460130K00#	PDS460130KG^#	57,500	14.0	11.5	57,500	8.0	127,000	81.0 -		487 (221)
PDD460130H00#	PDS460130HG^#	57,500	14.0	11.5	57,500	8.0	130,000	- 78.9		487 (221)

± K = 208/230-1-60, H = 208/230-3-60

\* 0 = Standard, 1 = Low NOx

00 = No Options

^ P = Tin-Plated Evaporator Main Tubes plus Stainless Steel Heat Exchanger (single-phase)

C = Low Cabinet Air Leakage plus Tin-Plated Evaporator Main Tubes plus Stainless Steel Heat Exchanger

# G = 1-phase series, E = 3-phase series

Specifications subject to change without notice.

## UP to 15.5 SEER, UP to 12.5 EER, PACKAGE HEAT PUMP UNITS, 2 - 5 TONS

**208/230 Volt, 1-phase, 60 Hz**

**208/230 Volt, 3-phase, 60 Hz**

### REFRIGERATION CIRCUIT

- Environmentally balanced R-410A refrigerant
- Copper tube/aluminum fin condenser and evaporator coils
- Tin-plated copper evaporator coil standard (single-phase only)
- Dehumidification feature on high stage cooling with use of a dehumidistat
- Two stage scroll compressors standard on all models
- Advanced Dehumidification Feature – Offered as a FIOF only

### EASY TO INSTALL AND SERVICE

- Installs easily on a rooftop or at ground level
- Easy three-panel accessibility for maintenance and installation
- Easily converts to down discharge applications

### BUILT TO LAST

- Hail guard (3/8-in. spacing) wire grilles standard
  - Multi-speed ECM blower motor standard on all models
  - Pre-painted steel cabinet
  - Vertical condenser fan discharge
  - Full perimeter steel base rails
  - High and low pressure switches provide added reliability for the compressor
  - Cabinet air leakage of 2.0% or less at .5 in. W.C. when tested in accordance with ASHRAE standard 193 (Low cabinet air leakage FIOF models only)
- Models with factory installed options are identified with letters in the 11th and 12th positions in the model number
- Single and 3-phase models with factory installed option for low cabinet air leakage and tin-plated copper evaporator main tubes (LC)
  - Single phase models with factory installed tin-plated copper evaporator main tubes (TP)

### LIMITED WARRANTY\*

- 5 year No Hassle Replacement limited warranty (Single-phase only)
- 5 year parts limited warranty (including compressor and coils)
  - With timely registration, an additional 5 year parts limited warranty, including compressor and coils (Single-phase only)

\* For residential applications only. See warranty certificate for complete details and restrictions, including warranty coverage for other applications.



As an Energy Star® Partner, International Comfort Products has determined that this product meets the ENERGY STAR® guidelines for energy efficiency.



Use of the AHRI Certified TM Mark indicates a manufacturer's participation in the program. For verification of individual products, go to [www.ahridirectory.org](http://www.ahridirectory.org).

UNIT PERFORMANCE DATA								
Model Number	COOLING				HSPF	COP	Unit Dimensions Height x Width x Depth Inches (mm)	Operating Weight lbs / kg
	Net Capacity BTU/h High Stage	Standard CFM High / Low Stage	SEER	EER				
PHR524000K**0B	22800	855/675	15.0	12.0	8.2	3.9	51-3/4 x 47 x 32-5/8 (1315 x 1194 x 829)	338/153
PHR530000‡**0B	29400	1000/775	15.0	12.0	8.2	3.7	51-3/4 x 47 x 32-5/8 (1315 x 1194 x 829)	384/174
PHR536000‡**0A	34000	1200/900	15.0	12.0	8.2	3.7	44-3/4 x 48-1/4 x 44-3/16 (1237 x 1226 x 1122)	413/187
PHR542000‡**0A	42000	1400/1050	15.0	12.0	8.2	3.6	50-3/4 x 48-1/4 x 44-3/16 (1289 x 1226 x 1122)	444/201
PHR548000‡**0A	47500	1600/1200	15.5	12.5	8.2	3.7	48-3/4 x 48-1/4 x 44-3/16 (1238 x 1226 x 1122)	447/203
PHR560000‡**0A	57000	1750/1400	15.0	12.0	8.5	3.5	54-3/4 x 48-1/4 x 44-3/16 (1391 x 1226 x 1122)	503/228

‡ K = 208/230-1-60, H = 208/230-3-60

\*\* 00 = Standard (3-phase), AD = Advanced Dehumidification with Tin-Plated Copper Evaporator Main Tubes, LC = Low cabinet air leakage plus Tin-Plated Copper Evaporator Main Tubes, TP = Tin-Plated Evaporator Main Tubes plus Stainless Steel Heat Exchanger (single phase)

Specifications subject to change without notice.

## Up to 14.5 SEER, 12 EER, 8.0 HSPF, PACKAGE HEAT PUMP, 2 to 5 TONS 208/230-1-60 Single Phase 2-5 Nominal Tons (Sizes 24-60) 208/230-3-60 & 460-3-60 Three Phase, 3-5 Nominal Tons (Sizes 36-60)

### REFRIGERATION CIRCUIT

- Environmentally balanced R-410A refrigerant
- Copper tube/aluminum fin condenser and evaporator coils
- Scroll compressor standard on all models
- Short-cycling protection for the compressor is built into the defrost control board
- Dehumidification mode (airflow reduction) on all models

### EASY TO INSTALL AND SERVICE

- Installs easily on a rooftop or at ground level
- Easy three-panel accessibility for maintenance and installation
- Easily converts to down discharge applications
- Combination electric heating and cooling

### BUILT TO LAST

- Direct drive high efficiency ECM blower motor on all models
- Pre-painted steel cabinet
- Vertical condenser fan discharge
- Full perimeter steel base rails
- High and low pressure switches provide added reliability for the compressor
- Cabinet air leakage of 2.0% or less at .5 in. W.C. when tested in accordance with ASHRAE standard 193 (Low cabinet air leakage FLOP models only)

Models with factory installed options are identified with letters in the 14th and 15th positions in the model number

- Hail guard (3/8" spacing) wire grilles standard on single phase models with optional factory installed tin-plated copper evaporator coil (TP). All other models have 2" spacing wire grilles including 3-phase models
- Single and 3-phase models with factory installed option for low cabinet air leakage and tin-plated copper evaporator main tubes PHD4 (LC)

### LIMITED WARRANTY\*

- 1 Phase PHD4 "F" Models
  - 3 year No Hassle Replacement™ limited warranty for tin-plated 'TP' models
  - 10 year parts limited warranty (including compressor and coils) with timely registration
  - 5 year parts limited warranty if not registered within 90 days of original installation
- 3 Phase PHD4 "F" Models
  - 5 year compressor limited warranty
  - 1 year parts limited warranty

\* See warranty certificate for details and restrictions



Use of the AHRI Certified TM Mark indicates a manufacturer's participation in the program. For verification of certification for individual products, go to [www.ahridirectory.org](http://www.ahridirectory.org).

UNIT PERFORMANCE DATA							
Model Number	COOLING			HEATING		Unit Dimensions Height x Width x Depth in (mm)	Operating Weight lbs (kg)
	Capacity BTU/h	SEER	EER	Capacity BTU/h	HSPF		
<b>208/230-1-60</b>							
PHD424000K**0F	23,000	14.5	12.0	22,600	8.0	47 <sup>3</sup> / <sub>4</sub> x 48 <sup>3</sup> / <sub>16</sub> x 32 <sup>5</sup> / <sub>8</sub> (1213 x 1224 x 829)	311 (141)
PHD430000K**0F	28,600	14.0	11.5	28,400	8.0	51 <sup>3</sup> / <sub>4</sub> x 48 <sup>3</sup> / <sub>16</sub> x 32 <sup>5</sup> / <sub>8</sub> (1315 x 1224 x 829)	351 (159)
PHD436000†**0F	34,200	14.0	11.5	34,400	8.0	48 <sup>3</sup> / <sub>4</sub> x 48 <sup>3</sup> / <sub>16</sub> x 44 <sup>3</sup> / <sub>16</sub> (1238 x 1224 x 1122)	387 (176)
PHD442000†**0F	41,000	14.0	11.5	40,000	8.0	54 <sup>3</sup> / <sub>4</sub> x 48 <sup>3</sup> / <sub>16</sub> x 44 <sup>3</sup> / <sub>16</sub> (1391 x 1224 x 1122)	435 (197)
PHD448000†**0F	48,000	14.0	12.0	46,000	8.0	54 <sup>3</sup> / <sub>4</sub> x 48 <sup>3</sup> / <sub>16</sub> x 44 <sup>3</sup> / <sub>16</sub> (1391 x 1224 x 1122)	456 (207)
PHD460000†**0F	57,500	14.0	11.5	57,500	8.0	48 <sup>3</sup> / <sub>4</sub> x 48 <sup>3</sup> / <sub>16</sub> x 44 <sup>3</sup> / <sub>16</sub> (1238 x 1224 x 1122)	487 (221)
<b>208/230-3-60</b>							
PHD436000†**0F	34,200	14.0	11.5	34,400	8.0	48 <sup>3</sup> / <sub>4</sub> x 48 <sup>3</sup> / <sub>16</sub> x 44 <sup>3</sup> / <sub>16</sub> (1238 x 1224 x 1122)	387 (176)
PHD442000†**0F	41,000	14.0	11.5	40,000	8.0	54 <sup>3</sup> / <sub>4</sub> x 48 <sup>3</sup> / <sub>16</sub> x 44 <sup>3</sup> / <sub>16</sub> (1391 x 1224 x 1122)	435 (197)
PHD448000†**0F	48,000	14.0	12.0	46,000	8.0	54 <sup>3</sup> / <sub>4</sub> x 48 <sup>3</sup> / <sub>16</sub> x 44 <sup>3</sup> / <sub>16</sub> (1391 x 1224 x 1122)	456 (207)
PHD460000†**0F	57,500	14.0	11.5	57,500	8.0	48 <sup>3</sup> / <sub>4</sub> x 48 <sup>3</sup> / <sub>16</sub> x 44 <sup>3</sup> / <sub>16</sub> (1238 x 1224 x 1122)	487 (221)
<b>460-3-60</b>							
PHD436000†**0F	34,200	14.0	11.5	34,400	8.0	48 <sup>3</sup> / <sub>4</sub> x 48 <sup>3</sup> / <sub>16</sub> x 44 <sup>3</sup> / <sub>16</sub> (1238 x 1224 x 1122)	387 (176)
PHD442000†**0F	41,000	14.0	11.5	40,000	8.0	54 <sup>3</sup> / <sub>4</sub> x 48 <sup>3</sup> / <sub>16</sub> x 44 <sup>3</sup> / <sub>16</sub> (1391 x 1224 x 1122)	435 (197)
PHD448000†**0F	48,000	14.0	12.0	46,000	8.0	54 <sup>3</sup> / <sub>4</sub> x 48 <sup>3</sup> / <sub>16</sub> x 44 <sup>3</sup> / <sub>16</sub> (1391 x 1224 x 1122)	456 (207)
PHD460000†**0F	57,500	14.0	11.5	57,500	8.0	48 <sup>3</sup> / <sub>4</sub> x 48 <sup>3</sup> / <sub>16</sub> x 44 <sup>3</sup> / <sub>16</sub> (1238 x 1224 x 1122)	487 (221)

‡ K = 208/230-1-60, H = 208/230-3-60, L = 460-3-60

\*\* 00 = No Options, TP = Tin-Plated Evaporator Main Tubes (Single Stage), LC = Low Cabinet Air Leakage plus Tin-Plated Copper Evaporator Main Tubes

Specifications subject to change without notice.

# THREE PHASE SPLIT SYSTEMS 3-5 TON

## 14 SEER HORIZONTAL DISCHARGE AIR CONDITIONER FOR USE WITH DUCTED INDOOR UNIT ENVIRONMENTALLY SOUND R-410A REFRIGERANT

1-1/2 THRU 5 TONS, 208/230 Volt, 1-Phase

3 THRU 5 TONS, 208/230 Volt, 3-Phase

3 THRU 5 TONS, 460 Volt, 3-Phase

### REFRIGERATION CIRCUIT

- 14 SEER/11.7 – 12.2 EER
- Scroll compressor
- Factory-supplied filter-drier
- High pressure switch
- Line lengths up to 250 feet (76.2 m)

### EASY TO INSTALL AND SERVICE

- Small footprint
- Easy access service valves on all models
- Factory charged with R-410A refrigerant

### BUILT TO LAST

- Low ambient operation (down to -0°F/-17.8°C)
- Ball-Bearing Fan Motor

### WARRANTY\*

- 5 year parts limited warranty (including compressor and coil)
  - With timely registration, an additional 5 year parts limited warranty (including compressor and coil)

\* For residential applications only. See warranty certificate for complete details and restrictions, including warranty coverage for other applications.



Use of the AHRi Certified TM Mark indicates a manufacturer's participation in the program. For verification of certification for individual products, go to [www.ahrirectory.org](http://www.ahrirectory.org).



Model Number	Size (tons)	Nominal Btu/hr	Min Circuit Ampacity	Max Fuse or Breaker	Operating Dimensions height x width x depth inches (mm)	Operating/Ship Weight lbs. (kg)
208/230-1-60						
NH4A418AKA	1½	18,000	11.8	20	31-1/8 x 36-15/16 x 14-9/16 (790 x 938 x 370)	146/166 (66/75)
NH4A424AKA	2	24,000	14.1	25	31-1/8 x 36-15/16 x 14-9/16 (790 x 938 x 370)	148/168 (67/76)
NH4A430AKA	2½	30,000	18.3	30	37-1/8 x 44-1/2 x 17-1/16 (943 x 1130 x 433)	183/213 (83/97)
NH4A436AKA	3	36,000	18.8	30	37-1/8 x 44-1/2 x 17-1/16 (943 x 1130 x 433)	184/214 (84/97)
NH4A448AKA	4	48,000	24.3	40	37-1/8 x 44-1/2 x 17-1/16 (943 x 1130 x 433)	213/243 (97/110)
NH4A460AKA	5	60,000	31.1	50	43-1/8 x 44-1/2 x 17-1/16 (1095 x 1130 x 433)	245/275 (111/125)
208/230-3-60						
NH4A436AHA	3	36,000	12.5	20	37-1/8 x 44-1/2 x 17-1/16 (943 x 1130 x 433)	184/214 (84/97)
NH4A448AHA	4	48,000	18.3	30	37-1/8 x 44-1/2 x 17-1/16 (943 x 1130 x 433)	213/243 (97/110)
NH4A460AHA	5	60,000	21.4	35	43-1/8 x 44-1/2 x 17-1/16 (1095 x 1130 x 433)	245/275 (111/125)
460-3-60						
NH4A436ALA	3	36,000	7.6	15	37-1/8 x 44-1/2 x 17-1/16 (943 x 1130 x 433)	184/214 (84/97)
NH4A448ALA	4	48,000	8.7	15	37-1/8 x 44-1/2 x 17-1/16 (943 x 1130 x 433)	213/243 (97/110)
NH4A460ALA	5	60,000	9.7	15	43-1/8 x 44-1/2 x 17-1/16 (1095 x 1130 x 433)	245/275 (111/125)

Specifications subject to change without notice.

## EFFICIENT 13 SEER AIR CONDITIONER ENVIRONMENTALLY BALANCED R-410A REFRIGERANT 1-1/2 THRU 5 TONS SPLIT SYSTEM

208/230 Volt, 1-phase, 60 Hz

### REFRIGERATION CIRCUIT

- Scroll compressors on all models
- Filter-Drier supplied with every unit for field installation
- Copper tube / aluminum fin coil

### EASY TO INSTALL AND SERVICE

- Easy Access service valves on all models
- External high and low refrigerant service ports
- Only two screws to access control panel
- Factory charged with R-410A refrigerant

### BUILT TO LAST

- Baked-on powder coat finish over galvanized steel
- Post-painted (black) coil fins
- Coated, weather-resistant cabinet screws
- Coated inlet grille with 2-in. (51mm) spacing standard, alternate models available with 3/8-in. (10mm) grille spacing for extra protection (hail guard)

### LIMITED WARRANTY\*

- 5 year compressor limited warranty
- 5 year parts limited warranty (including compressor and coil)
  - With timely registration, an additional 5 year parts limited warranty (including compressor and coil)

\* For owner occupied, residential applications only. See warranty certificate for complete details and restrictions, including warranty coverage for other applications.



Use of the AHRI Certified TM Mark indicates a manufacturer's participation in the program. For verification of certification for individual products, go to [www.ahridirectory.org](http://www.ahridirectory.org).



Model Number	Size (tons)	Nominal BTU/hr	Min. Circuit Ampacity	Max. Fuse or Breaker	Operating Dimensions height x width/depth in. (mm)	Ship / Operating Weight lbs. (kg)
N4A318*KF	1-1/2	18,000	11.8	20	25-5/16 x 23-1/8 (643 x 587)	130 / 107 (59 / 49)
N4A324*KG	2	24,000	14.3	25	25-5/16 x 23-1/8 (643 x 587)	127 / 107 (58 / 49)
N4A330*KG	2-1/2	30,000	16.6	25	28-11/16 x 25-3/4 (729 x 654)	149 / 126 (68 / 57)
N4A336*KF	3	36,000	18.1	30	25-5/16 x 31-3/16 (642 x 792)	151 / 134 (68 / 61)
N4A342*KN	3-1/2	42,000	23.5	40	32-5/16 x 31-3/16 (821 x 792)	218 / 190 (99 / 86)
N4A348*KG	4	48,000	24.3	40	35-1/2 x 31-3/16 (901 x 792)	205 / 175 (93 / 79)
N4A360*KN	5	60,000	29.0	50	28-11/16 x 31-3/16 (729 x 792)	232 / 199 (106 / 91)

\* **A** = 2" (51mm) spacing inlet grille or  
**G** = 3/8" (10mm) spacing inlet grille

Specifications subject to change without notice.



## HIGH EFFICIENCY 16 SEER HEAT PUMP ENVIRONMENTALLY BALANCED R-410A REFRIGERANT

**1½ THRU 5 TONS SPLIT SYSTEM  
208 / 230 Volt, 1-phase, 3-phase, 60 Hz**

### REFRIGERATION CIRCUIT

- Scroll compressors on all models
- Suction line accumulator factory installed
- Bi-flow filter-drier included for field installation
- Integrated solid state control with Time-Temperature Defrost
- Low pressure switch
- Copper tube / aluminum fin coil

### EASY TO INSTALL AND SERVICE

- Easy access service valves on all models
- External high and low refrigerant service ports
- Only two screws to access control panel
- Factory charged with R-410A refrigerant

### BUILT TO LAST

- Baked-on powder coat finish over galvanized steel
- Post-painted (black) coil fins
- Coated, weather-resistant cabinet screws
- Coated inlet grille with 3/8" (10 mm) grille spacing for extra protection

### LIMITED WARRANTY\*

- 5 year compressor limited warranty
- 5 year parts limited warranty (including compressor and coil)
  - With timely registration, an additional 5 year parts limited warranty (including compressor and coil)
- \* Applies to original purchaser/homeowner, some limitations may apply. See Warranty certificate for complete details.



This product has been designed and manufactured to meet ENERGY STAR criteria for energy efficiency when matched with appropriate coil components. However, proper refrigerant charge and proper air flow are critical to achieve rated capacity and efficiency. Installation of this product should follow the manufacturer's refrigerant charging and air flow instructions. Failure to confirm proper charge and airflow may reduce energy efficiency and shorten equipment life.



Use of the AHR1 Certified TM Mark indicates a manufacturer's participation in the program. For verification of certification for individual products, go to [www.ahridirectory.org](http://www.ahridirectory.org).

Model Number*	Size tons	Nominal Btu/hr	Min. Circuit Amps	Max. Fuse / Breaker	Operating Dimensions W x D (sq) x H inches (mm)	Ship/ Operating Weight lbs. (kg)
NXH618GKP	1.5	18,000	13.6	20	31-3/16 x 35-1/2 (793 x 901)	199 / 167 (90 / 76)
NXH624GKP	2	24,000	15.5	25	35 x 32-1/16 (889 x 815)	189 / 172 (86 / 78)
NXH630GKP	2.5	30,000	19.9	30	35 x 32-1/16 (889 x 815)	228 / 207 (103 / 94)
NXH636GKP	3	36,000	21.6	35	35 x 32-1/16 (889 x 815)	233 / 211 (106 / 96)
NXH636GHP	3	36,000	14.9	25	35 x 32-1/16 (889 x 815)	237 / 215 (108 / 98)
NXH642GKP	3.5	42,000	27.8	40	35 x 32-1/16 (889 x 815)	256 / 233 (116 / 106)
NXH648GKP	4	48,000	31.8	45	35 x 32-1/16 (889 x 815)	257 / 233 (117 / 106)
NXH648GHP	4	48,000	18.3	30	35 x 32-1/16 (889 x 815)	262 / 238 (119 / 108)
NXH660GKP	5	60,000	33.9	50	35 x 45-11/16 (889 x 1161)	315 / 286 (143 / 130)
NXH660GHP	5	60,000	22.8	35	35 x 45-11/16 (889 x 1161)	317 / 288 (144 / 131)

\* K indicates single-phase model; H indicates 3-phase model

Specifications subject to change without notice.

## 14 SEER HORIZONTAL DISCHARGE HEAT PUMP FOR USE WITH DUCTED INDOOR UNITS ENVIRONMENTALLY SOUND R-410A REFRIGERANT

1½ thru 5 Tons, 208/230 Volt, 1-Phase

3 thru 5 Tons, 208/230 Volt, 3-Phase

3 thru 5 Tons, 460 Volt, 3-Phase

### REFRIGERATION CIRCUIT

14-16 SEER/11-13 EER/8.2-9.0 HSPF

- Scroll compressors on all models
- Factory-supplied filter-drier
- High and Low pressure switches
- Line lengths up to 250 feet (76.2m)
- Accumulator

### EASY TO INSTALL AND SERVICE

- Small footprint
- Easy access service valves on all models
- Factory charged with R-410A refrigerant

### BUILT TO LAST

- Low ambient operation (down to 0°F/-17.8°C)
- Ball-Bearing Fan Motor

### LIMITED WARRANTY\*

- 5 year parts limited warranty (including compressor and coil)
- With timely registration, an additional 5 year parts limited warranty (including compressor and coil)

\* For residential applications only. See warranty certificate for complete details and restrictions including warranty coverage for other applications



Use of the AHRI Certified TM Mark indicates a manufacturer's participation in the program. For verification of certification for individual products, go to [www.ahridirectory.org](http://www.ahridirectory.org).

UNIT PERFORMANCE DATA							
Model Number	Size (tons)	Nominal Btu/hr	Min. Circuit Ampacity	Max. Fuse or Breaker	Operating Dimensions height x width x depth in. (mm)	Ship / Operating Weight lbs. (kg)	Price
208/230-1-60							
NH4H418AKA	1½	18,000	11.80	20	25-1/8 x 36-15/16 x 14-9/16 (638 x 938 x 370)	150/170(68/77)	
NH4H424AKA	2	24,000	16.50	25	31-1/8 x 36-15/16 x 14-9/16 (790 x 938 x 370)	161/181(73/82)	
NH4H430AKA	2½	30,000	17.20	30	37-1/8 x 44-1/2 x 17-1/16 (943 x 1130 x 433)	196/226(89/103)	
NH4H436AKA	3	36,000	19.00	30	37-1/8 x 44-1/2 x 17-1/16 (943 x 1130 x 433)	197/227(89/103)	
NH4H448AKA	4	48,000	28.80	50	43-1/8 x 44-1/2 x 17-1/16 (1095 x 1130 x 433)	246/276(112/125)	
NH4H460AKA	5	60,000	33.40	50	43-1/8 x 44-1/2 x 17-1/16 (1095 x 1130 x 433)	258/288(117/131)	
208/230-3-60							
NH4H436AHA	3	36,000	12.80	20	37-1/8 x 44-1/2 x 17-1/16 (943 x 1130 x 433)	197/227(89/103)	
NH4H448AHA	4	48,000	18.60	30	43-1/8 x 44-1/2 x 17-1/16 (1095 x 1130 x 433)	246/276(112/125)	
NH4H460AHA	5	60,000	22.90	40	43-1/8 x 44-1/2 x 17-1/16 (1095 x 1130 x 433)	258/288(117/131)	
460-3-60							
NH4H436ALA	3	36,000	7.60	15	37-1/8 x 44-1/2 x 17-1/16 (943 x 1130 x 433)	197/227(89/103)	
NH4H448ALA	4	48,000	8.60	15	43-1/8 x 44-1/2 x 17-1/16 (1095 x 1130 x 433)	246/276(112/125)	
NH4H460ALA	5	60,000	10.60	15	43-1/8 x 44-1/2 x 17-1/16 (1095 x 1130 x 433)	258/288(117/131)	

Specifications subject to change without notice.

## 14 SEER HEAT PUMP ENVIRONMENTALLY BALANCED R-410A REFRIGERANT

1½ THRU 5 TONS SPLIT SYSTEM

208/230 Volt 1-phase, 208/230 Volt 3-phase,  
460 Volt 3-phase; 60 Hz

### REFRIGERATION CIRCUIT

- Scroll compressors on all models
- Suction line accumulator factory installed
- Bi-flow filter-drier included for field installation
- Integrated solid state control with Time-Temperature Defrost
- Low pressure switch
- Round tube / aluminum plate fin coil

### EASY TO INSTALL AND SERVICE

- Easy Access service valves on all models
- External high and low refrigerant service ports
- Only two screws to access control panel
- Factory charged with R-410A refrigerant

### BUILT TO LAST

- Baked-on powder coat finish over galvanized steel
- Post-painted (black) coil fins
- Coated, weather-resistant cabinet screws
- Coated inlet grille with 3/8 (10mm) grille spacing for extra protection

### LIMITED WARRANTY\*

- 5 year parts limited warranty (including compressor and coil)
  - With timely registration, an additional 5 year parts limited warranty (including compressor and coil)



Use of the AHRI Certified TM Mark indicates a manufacturer's participation in the program. For verification of certification for individual products, go to [www.ahrirectory.org](http://www.ahrirectory.org).



\* For residential applications only. See warranty certificate for complete details and restrictions, including warranty coverage for other applications.

Model Number	Size (ton)	Nominal Btu/hr	Min. Ckt Amps	Max. Breaker	Operating Dimensions length x width x height inches (mm)	Operating / Ship Weight lbs. (kg)
N4H418GKP	1½	18,000	11.8	20	23-1/8 x 23-1/8 x 35-1/16 (587 x 587 x 891)	136/166(61/75)
N4H424GKP	2	24,000	14.2	25	25-3/4 x 25-3/4 x 35-1/2 (654 x 654 x 901)	144/175(65/79)
N4H430GKP	2½	30,000	16.9	30	31-3/16 x 31-3/16 x 31-11/16 (792 x 792 x 804)	158/180(72/82)
N4H436G*P	3	36,000	19.5	30	31-3/16 x 31-3/16 x 28-1/4 (792 x 792 x 718)	170/187(77/85)♦
N4H442GKP	3½	42,000	24.0	40	31-3/16 x 31-3/16 x 38-7/16 (792 x 792 x 977)	201/235(91/107)
N4H448G*P	4	48,000	25.2	40	31-3/16 x 31-3/16 x 28-1/4 (792 x 792 x 718)	197/217(89/98)♦
N4H460G*P	5	60,000	32.0	50	31-3/16 x 31-3/16 x 31-11/16 (792 x 792 x 804)	212/233(96/106)♦

\* K = 208-230V Single-Phase; H = 208/230V Three-Phase; L = 460V Three-Phase

♦ Shipping weight for three-phase (H,L) units. For single-phase (K) add 14 lb (6.4 kg) for 3 ton, add 15 lb (6.8 kg) for 4 / 5 ton. Refer to dimensional drawing.

Specifications subject to change without notice.

# COMMERCIAL RTU 3-5 TONS

## SINGLE PACKAGE ROOFTOP UNITS WITH X-VANE™ FAN TECHNOLOGY: GAS HEATING/ELECTRIC COOLING (RGW) AND ELECTRIC COOLING/OPTIONAL ELECTRIC HEAT (RAW) 3 – 5 TON

The new 3 to 5 Ton RGW/RAW series rooftop units (RTU) with X-Vane™ Fan Technology provide value added benefits never seen in this type of equipment before. New major design features include:

- Patented technology utilizes the industry's first beltless direct-drive vane axial fan for rooftop units with electric commutated variable speed motor.
- Reliable 2 stage scroll compressor on all sizes.
- Upgraded unit control board with intuitive indoor fan adjustment.
- Reliable copper tube / aluminum fin condenser coil with  $\frac{5}{16}$ -in. tubing to help reduce refrigerant charge versus prior designs.
- New outdoor fan system with rugged, lightweight high impact composite fan blade.



RGW/RAW036-060

**X-Vane™ Fan**

### Installation ease

All RGW/RAW units are field convertible to horizontal air flow, which makes it easy to adjust to unexpected job site complications. RGW/RAW rooftop units up to 5 tons are specifically designed to fit on our existing roof curbs dating back to 1989 for worry-free original fit. Also, our large control box gives you room to work and room to mount accessory controls. Intuitive controls make setting up the required fan speed simple and accurate. Access to the blower section is no longer needed with the new design.

### Easy to maintain

With the new Vane Axial fan and direct drive ECM motor, there is no longer a need to adjust belts or pulleys as in past designs. This frees up maintenance and installation time.

Easy access handles provide quick and easy access to all normally serviced components. Our “no-strip” screw system has superior holding power and guides screws into position while preventing the screw from stripping the unit's metal.

Sloped, corrosion resistant composite drain pan sheds water and won't rust.

RGW units are designed with a naturally draining heat exchanger, unlike positive pressure heat exchangers, does not need to be periodically, manually drained. This saves labor and maintenance expense.

### Easy to use

The newly re-designed Unit Control Board puts all connections and troubleshooting points in one convenient place. Most low voltage connections are made to the same board for easy access. Setting up the fan is made simple by an intuitive switch and rotary dial arrangement. RGW/RAW rooftops have high and low pressure switches, a filter drier, and 2-in. filters standard.

### X-Vane Fan Technology

Direct drive X-Vane Fan Technology indoor fan system uses vane axial fan design and electrically commutated motors. This new Vane Axial design over past belt drive systems has 75% fewer moving parts, uses up to 40% less energy and has no fan belts, blower bearings and shaft.

### Design features include:

- Two-stage cooling capacity control delivers SEERs up to 16.0.
- All models are capable of either vertical or horizontal airflow.
- RGW/RAW rooftop units (RTU) were designed by customers for customers. With “no-strip” screw collars, handled access panels, and more the unit is easy to install, easy to maintain, and easy to use. Your new 3 to 5 ton RGW/RAW rooftop unit (RTU) provides optimum comfort and control from a packaged rooftop.

### WARRANTY

- 1 year parts limited warranty
- 5 year compressor limited warranty
- 10 year heat exchanger limited warranty
- 15 year stainless steel heat exchanger limited warranty

### EXTENDED WARRANTY

- 5 year extended parts warranty available

# RGW/RAW (continued)

## UNIT PERFORMANCE DATA — Two Stage Cooling /Single Circuit

UNIT	Nom. Tons	COOLING			GAS HEATING		Unit Dimensions H x W x L	Shipping Weight lb. [kg]
		Net Cap. (Btuh)	EER	SEER	Input Cap. (Btuh) Stage 2	Thermal Efficiency (%)		
RGW036*^DD0AAB	3	35,200	12.0	16.0	65,000 - 90,000	80 - 82	33 3/8" x 46 5/8" x 74 3/8"	553 [251]
RGW048*^DD0AAB	4	47,000	12.0	16.0	65,000 - 130,000	80 - 82	33 3/8" x 46 5/8" x 74 3/8"	595 [270]
RGW060*^DD0AAB	5	60,000	12.0	16.0	65,000 - 130,000	80 - 82	41 3/8" x 46 5/8" x 74 3/8"	640 [291]

## UNIT PERFORMANCE DATA — Two Stage Cooling /Single Circuit

UNIT	Nom. Tons	COOLING				Unit Dimensions H x W x L	Shipping Weight lb. [kg]
		Net Cap. (Btuh)	EER	SEER	Total Power (kW)		
RAW036*0DD0AAB	3	35,200	12.2	16.0	2.9	33 3/8" x 46 5/8" x 74 3/8"	508 [231]
RAW048*0DD0AAB	4	47,000	12.2	16.0	3.9	33 3/8" x 46 5/8" x 74 3/8"	550 [250]
RAW060*0DD0AAB	5	60,000	12.2	16.0	4.09	41 3/8" x 46 5/8" x 74 3/8"	595 [270]

\* Indicates Unit voltage: K = 208/230-1-60, H = 208/230-3-60, L = 460-3-60, S = 575-3-60

^ See model nomenclature listing for gas heating options.

NOTE: BASE MODEL NUMBERS LISTED. SEE MODEL NOMENCLATURE LISTING FOR ADDITIONAL OPTIONS

Specifications subject to change without notice.

## SINGLE PACKAGE ROOFTOP UNITS WITH X-VANE™ FAN TECHNOLOGY: GAS HEATING/ELECTRIC COOLING (RGV) AND ELECTRIC COOLING/OPTIONAL ELECTRIC HEAT (RAV) 3 – 6 TON

The new 3 to 6 Ton RGV/RAV series rooftop units (RTU) with X-Vane™ Fan Technology provides value added benefits never seen in this type of equipment before. New major design features include:

- Patented technology utilizes the industry's first beltless direct-drive vane axial fan for rooftop units with electric commutated variable speed motor.
- Reliable fixed speed scroll compressor on 3-5 ton sizes and 2 stage scroll technology on 6 ton sizes.
- Upgraded unit control board with intuitive indoor fan adjustment.
- Reliable copper tube / aluminum fin condenser coil with  $\frac{5}{16}$ -in. tubing to help reduce refrigerant charge versus prior designs.
- New outdoor fan system with rugged, lightweight high impact composite fan blade.



RGV/RAV036-072

**X-Vane™ Fan**

### Installation ease

All RGV/RAV units are field convertible to horizontal air flow, which makes it easy to adjust to unexpected job site complications. RGV/RAV rooftop units up to 6 tons are specifically designed to fit on our existing roof curbs dating back to 1989 for worry-free original fit. Also, our large control box gives you room to work and room to mount accessory controls. Intuitive controls make setting up the required fan speed simple and accurate. Access to the blower section is no longer needed with the new design.

### Easy to maintain

With the new Vane Axial fan and direct drive ECM motor, there is no longer a need to adjust belts or pulleys as in past designs. This frees up maintenance and installation time.

Easy access handles provide quick and easy access to all normally serviced components. Our “no-strip” screw system has superior holding power and guides screws into position while preventing the screw from stripping the unit's metal.

Sloped, corrosion resistant composite drain pan sheds water and won't rust.

RGV units are designed with a naturally draining heat exchanger. Unlike positive pressure heat exchangers, this does not need to be periodically, manually drained. This saves labor and maintenance expense.

### Easy to use

The newly re-designed Unit Control Board puts all connections and troubleshooting points in one convenient place. Most low voltage connections are made to the same board for easy access. Setting up the fan is made simple by an intuitive switch and rotary dial arrangement. RGV/RAV rooftops have high and low pressure switches, a filter drier, and 2-in. filters standard.

### X-Vane Fan Technology

Direct drive X-Vane Fan Technology indoor fan system uses vane axial fan design and electrically commutated motors. This new Vane Axial design over past belt drive systems has 75% fewer moving parts, uses up to 40% less energy and has no fan belts, blower bearings, or shaft.

### Design features include:

- Single-stage units deliver SEERs up to 14.0 and EERs up to 11.8. Two-stage units deliver IEERs up to 15.2 and EERs up to 11.2.
- All models are capable of either vertical or horizontal airflow.
- RGV/RAV rooftop units (RTU) were designed by customers for customers. With “no-strip” screw collars, handled access panels, and more the unit is easy to install, easy to maintain, and easy to use. Your new 3 to 6 ton RGV/RAV rooftop unit (RTU) provides optimum comfort and control from a packaged rooftop.

### WARRANTY

- 1 year parts limited warranty
- 5 year compressor limited warranty
- 10 year heat exchanger limited warranty
- 15 year stainless steel heat exchanger limited warranty

### EXTENDED WARRANTY

- 5 year extended parts warranty available

# RGV/RAV (continued)

## UNIT PERFORMANCE DATA — Single Stage Cooling /Single Circuit

UNIT	Nom. Tons	COOLING				GAS HEATING		Unit Dimensions H x W x L	Shipping Weight lb. [kg]
		Net. Cap (Btuh)	EER	SEER	IEER w/ 2-Speed Indoor Fan Motor	Input Cap. (Btuh) Stage 2	Thermal Efficiency (%)		
RGV036* <sup>^</sup> DA0AAA	3	34,400	11.5	14.0	N/A	65,000 - 90,000	80 - 82	33 3/8" x 46 5/8" x 74 3/8"	522 [237]
RGV048* <sup>^</sup> DA0AAA	4	47,000	11.6	14.0	N/A	65,000 - 130,000	80 - 82	33 3/8" x 46 5/8" x 74 3/8"	583 [265]
RGV060* <sup>^</sup> DA0AAA	5	58,500	11.0	14.0	N/A	65,000 - 130,000	80 - 82	33 3/8" x 46 5/8" x 74 3/8"	596 [271]

## UNIT PERFORMANCE DATA — Two Stage Cooling /Single Circuit

UNIT	Nom. Tons	COOLING				GAS HEATING		Unit Dimensions H x W x L	Shipping Weight lb. [kg]
		Net. Cap (Btuh)	EER	SEER	IEER w/ 2-Speed Indoor Fan Motor	Input Cap. (Btuh) Stage 2	Thermal Efficiency (%)		
RGV072* <sup>^</sup> DA0AAA	6	70,000	11.0	N/A	15.0	67,000 - 150,000	80 - 81	41 3/8" x 46 5/8" x 74 3/8"	647 [294]

## UNIT PERFORMANCE DATA — Single Stage Cooling /Single Circuit

UNIT	Nom. Tons	COOLING					Unit Dimensions H x W x L	Shipping Weight lb. [kg]
		Net. Cap (Btuh)	EER	SEER	Total Power (kW)	IEER w/ 2-Speed Indoor Fan Motor		
RAV036*0DA0AAA	3	34,400	11.7	14.0	2.9	N/A	33 3/8" x 46 5/8" x 74 3/8"	477 [217]
RAV048*0DA0AAA	4	47,000	11.8	14.0	4.0	N/A	33 3/8" x 46 5/8" x 74 3/8"	538 [244]
RAV060*0DA0AAA	5	58,500	11.2	14.0	5.2	N/A	33 3/8" x 46 5/8" x 74 3/8"	551 [250]

## UNIT PERFORMANCE DATA — Two Stage Cooling /Single Circuit

UNIT	Nom. Tons	COOLING					Unit Dimensions H x W x L	Shipping Weight lb. [kg]
		Net. Cap (Btuh)	EER	SEER	Total Power (kW)	IEER w/ 2-Speed Indoor Fan Motor		
RAV072*0DA0AAA	6	70,000	11.2	N/A	5.7	15.2	41 3/8" x 46 5/8" x 74 3/8"	602 [273]

\* Indicates Unit voltage: K = 208/230-1-60, H = 208/230-3-60, L = 460-3-60, S = 575-3-60

<sup>^</sup> See model nomenclature listing for gas heating options.

**NOTE: BASE MODEL NUMBERS LISTED. SEE MODEL NOMENCLATURE LISTING FOR ADDITIONAL OPTIONS**

Specifications subject to change without notice.



## SINGLE PACKAGE HEAT PUMP ROOFTOP UNITS WITH X-VANE™ FAN TECHNOLOGY

The new 3 to 5 ton RHW high efficiency packaged heat pump rooftop units (RTU) with X-Vane™ Fan Technology were designed by customers for customers and integrate new technology to provide value added benefits never seen in this type of equipment before.

### New major design features include:

- Patented, industry efficient indoor fan system using Vane Axial fan with electric commutated variable speed motor
- Reliable, two stage scroll compressor on all sizes.
- Upgraded unit control board with intuitive indoor fan adjustment
- Reliable copper tube/aluminum fin condenser coil with  $5/16$ -in. tubing to help reduce refrigerant charge versus prior designs
- New outdoor fan system with rugged — lightweight high impact composite fan blade



RHW036-060

**X-Vane™ Fan**

RHW units are specifically designed to fit on roof curbs that were installed back to 1989, which makes replacement easy and eliminates the need for curb adapters or changing utility connections.

Two stage cooling capacity control delivers SEERs up to 16.2 while heating HSPF is as high as 8.3. All models are capable of either vertical or field convertible to horizontal airflow.

The RHW rooftop unit (RTU) was designed by customers for customers. With “no-strip” screw collars, handled access panels, and more, the unit is easy to install, easy to maintain, and easy to use. Your new 3 to 5 ton RHW rooftop unit (RTU) provides optimum comfort and control from a packaged rooftop.

### Installation ease

All RHW units are field-convertible to horizontal airflow, which makes it easy to adjust to unexpected job-site complications. Lighter units make for easy replacement. Simple, fast plug-in connections to the standard integrated unit control board (UCB). Clearly labeled connections points to reduce installation time. Also, a large control box provides room to work and room to mount accessory controls.

### Easy to maintain

With the new Vane Axial fan system and direct drive ECM motor, there is no longer a need to adjust belts or pulleys as in past designs. This frees up maintenance and installation time.

Easy access handles provide quick and easy access to all normally serviced components. Our “no-strip” screw system has superior holding power and guides screws into position while preventing the screw from stripping the unit’s metal.

Sloped, corrosion resistant composite drain pan sheds water and won’t rust.

### Easy to use

The newly re-designed Unit Control Board puts all connections and troubleshooting points in one convenient place. Most low voltage connections are made to the same board and make it easy to access it. Setting up the fan is simple by an intuitive switch and rotary dial arrangement. RHW rooftops have high and low pressure switches, a filter drier, and 2-in. filters standard.

### X-Vane™ Fan Technology

Direct drive X-Vane Fan Technology indoor fan system uses vane axial fan design and direct drive electrically commutated motors.

This new Vane Axial design over past belt drive systems has 75% fewer moving parts, uses up to 40% less energy and has no fan belts, blower bearings and shaft.

### WARRANTY

- 1 year parts limited warranty, 5 year compressor limited warranty

### EXTENDED WARRANTY

- 1 year extended parts warranty available

### UNIT PERFORMANCE DATA — Two Stage Cooling /Single Circuit

UNIT	Nom. Tons	COOLING				Unit Dimensions H x W x L	Shipping Weight lb. [kg]
		Net. Cap (Btuh)	EER	SEER	Total Power (kW)		
RHW036*0DA0AAA	3	35,000	12.5	16.2	2.8	33 $3/8$ " x 46 $5/8$ " x 74 $3/8$ "	475 [216]
RHW048*0DA0AAA	4	47,500	12.2	16.2	3.9	41 $3/8$ " x 46 $5/8$ " x 74 $3/8$ "	590 [268]
RHW060*0DA0AAA	5	60,000	12.2	16.2	4.9	41 $3/8$ " x 46 $5/8$ " x 74 $3/8$ "	596 [271]

\* Indicates Unit voltage: K = 208/230-1-60, H = 208/230-3-60, L = 460-3-60, S = 575-3-60

NOTE: BASE MODEL NUMBERS LISTED. SEE MODEL NOMENCLATURE LISTING FOR ADDITIONAL OPTIONS

## SINGLE PACKAGE HEAT PUMP ROOFTOP UNITS WITH X-VANE™ FAN TECHNOLOGY

The new 3 to 6 ton RHV packaged heat pump rooftop units (RTU) with X-Vane™ Fan Technology were designed by customers for customers and integrate new technology to provide value added benefits never seen in this type of equipment before.

### New major design features include:

- Patented, industry's efficient indoor fan system using Vane Axial fan with electric commutated variable speed motor
- Reliable, fixed speed scroll compressor on 3-5 ton sizes and 2 stage scroll technology on 6 ton sizes
- Upgraded unit control board with intuitive indoor fan adjustment
- Reliable copper tube/aluminum fin condenser coil with  $\frac{5}{16}$ -in. tubing to help reduce refrigerant charge versus prior designs
- New outdoor fan system with rugged — lightweight high impact composite fan blade



RHV036-072

**X-Vane™ Fan**

RHV units up to 6 tons are specifically designed to fit on roof curbs that were installed back to 1989, which makes replacement easy and eliminates the need for curb adapters or changing utility connections.

Single-stage units deliver SEERs up to 14.3. IEERs up to 15.0 and heating HSPFs up to 8.2. All models are capable of either vertical or horizontal airflow.

The RHV rooftop unit (RTU) was designed by customers for customers. With “no-strip” screw collars, handled access panels, and more, the unit is easy to install, easy to maintain, and easy to use. Precisely sized Suction Line Accumulator to help insure reliable operation at unit operation conditions.

### Installation ease

All RHV units are field-convertible to horizontal airflow, which makes it easy to adjust to unexpected job-site complications. Lighter units make for easy replacement. Simple, fast plug-in connections to the standard integrated unit control board (UCB). Clearly labeled connections points to reduce installation time. Also, a large control box provides room to work and room to mount accessory controls.

### Easy to maintain

With the new Vane Axial fan system and direct drive ECM motor, there is no longer a need to adjust belts or pulleys as in past designs. This frees up maintenance and installation time.

Easy access handles provide quick and easy access to all normally serviced components. Our “no-strip” screw system has superior holding power and guides screws into position while preventing the screw from stripping the unit's metal.

Sloped, corrosion resistant composite drain pan sheds water and won't rust.

### Easy to use

The newly re-designed Unit Control Board puts all connections and troubleshooting points in one convenient place. Most low voltage connections are made to the same board and make it easy to access it. Setting up the fan is simple by an intuitive switch and rotary dial arrangement. RHV rooftops have high and low pressure switches, a filter drier, and 2-in. filters standard.

### X-Vane™ Fan Technology

Direct drive X-Vane Fan Technology indoor fan system uses vane axial fan design and direct drive electrically commutated motors.

This new Vane Axial design over past belt drive systems has 75% fewer moving parts, uses up to 40% less energy and has no fan belts, blower bearings and shaft.

### WARRANTY

- 1 year parts limited warranty
- 5 year compressor limited warranty

### EXTENDED WARRANTY

- 5 year extended parts warranty available

# RHV (continued)

## UNIT PERFORMANCE DATA — Single Stage Cooling /Single Circuit

UNIT	Nom. Tons	COOLING					Unit Dimensions H x W x L	Shipping Weight lb. [kg]
		Net. Cap (Btuh)	EER	SEER	Total Power (kW)	IEER w/ 2-Speed Indoor Fan Motor		
RHV036*0DA0AAA	3	36,200	11.8	14.3	3.1	N/A	33 <sup>3</sup> / <sub>8</sub> " x 46 <sup>5</sup> / <sub>8</sub> " x 74 <sup>3</sup> / <sub>8</sub> "	467 [212]
RHV048*0DA0AAA	4	49,500	11.8	14.3	4.2	N/A	33 <sup>3</sup> / <sub>8</sub> " x 46 <sup>5</sup> / <sub>8</sub> " x 74 <sup>3</sup> / <sub>8</sub> "	473 [215]
RHV060*0DA0AAA	5	60,500	11.8	14.3	5.1	N/A	41 <sup>3</sup> / <sub>8</sub> " x 46 <sup>5</sup> / <sub>8</sub> " x 74 <sup>3</sup> / <sub>8</sub> "	584 [265]

## UNIT PERFORMANCE DATA — Two Stage Cooling /Single Circuit

UNIT	Nom. Tons	COOLING					Unit Dimensions H x W x L	Shipping Weight lb. [kg]
		Net. Cap (Btuh)	EER	SEER	Total Power (kW)	IEER w/ 2-Speed Indoor Fan Motor		
RHV072*0DA0AAA	6	71,000	11.2	N/A	6.3	15.0	41 <sup>3</sup> / <sub>8</sub> " x 46 <sup>5</sup> / <sub>8</sub> " x 74 <sup>3</sup> / <sub>8</sub> "	589 [267]

\* Indicates Unit voltage: K = 208/230-1-60, H = 208/230-3-60, L = 460-3-60, S = 575-3-60

NOTE: BASE MODEL NUMBERS LISTED. SEE MODEL NOMENCLATURE LISTING FOR ADDITIONAL OPTIONS

Specifications subject to change without notice.

**COMMERCIAL RTU  
6-27.5 TONS**

# RAH 072-150

## HIGH-EFFICIENCY PACKAGE ELECTRIC COOLING, R-410A SINGLE PACKAGE ROOFTOP 6 – 12.5 TONS (1 & 3-Phase)

### BUILT TO LAST, EASY TO INSTALL AND SERVICE

- One-piece, high efficiency electric cooling with a low profile, prewired, tested, and charged at the factory.
- Field convertible from vertical to horizontal airflow on all models. No special kit required on 072-120 models. Field accessory supply duct kit required for 150 size model only.
- Full perimeter base rail with built-in rigging adapters and fork truck slots.
- Pre-painted exterior panels and primer-coated interior panels tested to 500 hours salt spray protection.
- Fully insulated cabinet.
- Single-stage cooling capacity control on 072 models.
- Two-stage cooling capacity control on 073-150 models.
- Single scroll compressor on 073 models, dual scroll compressors on 090-150 models with internal line-break overload protection.
- Two inch disposable fiberglass type return air filters in dedicated rack with tool-less filter access door.
- All units have high and low pressure switches.
- Refrigerant circuits contain a liquid line filter drier to trap dirt and moisture.
- Indoor and outdoor coils constructed of aluminum fins mechanically bonded to seamless copper tubes.
- Newly designed indoor refrigerant header for easier maintenance and replacement.
- Exclusive non-corrosive composite condensate pan in accordance with ASHRAE 62 Standard, sloping design; side or center drain.
- Belt drive evaporator-fan motor and pulley combinations available on all three phase models.
- Access panels with easy grip handles provide quick and easy access to the blower and blower motor, control box, and compressor.
- “No-strip” screw system has superior holding power and guides screws into position while preventing the screw from stripping the unit’s metal.
- Central terminal board facilitates simple safety circuit troubleshooting and simplified control box arrangement.
- Outdoor temperature cooling operation range up to 125°F (52°C) and down to 35°F (-2°C) using winter start kit.
- TXV refrigerant metering devices on all models to precisely control refrigerant flow.
- Large, laminated control wiring and power wiring drawings are affixed to unit to make troubleshooting easy.
- Standard, medium, and high static fan motor options available.
- Provisions for thru-the-bottom power entry capabilities.
- Single point electrical connection.



RAH072-120



OR



Intertek

### WARRANTY

- 5 year compressor limited warranty
- 1 year standard parts limited warranty

### EXTENDED WARRANTY

- 5 year extended parts warranty available



# RAH 072-150 (continued)

## SINGLE STAGE COOLING

UNIT	NOM. TONS	COOLING			UNIT DIMENSIONS H x W x L in (mm)	UNIT WEIGHT lb. (kg)
		NET CAP. (Btuh)	SEER	EER		
RAH072*0XA0AAA	6	73,000	N/A	12.20	41 <sup>1</sup> / <sub>4</sub> x 59 <sup>1</sup> / <sub>2</sub> x 88 <sup>1</sup> / <sub>8</sub> (1048 x 1510 x 2238)	715 (324)

## TWO STAGE COOLING

UNIT	NOM. TONS	COOLING			UNIT DIMENSIONS H x W x L in (mm)	UNIT WEIGHT lb. (kg)
		NET CAP. (Btuh)	SEER	EER		
RAH073*0AA0AAA	6.0	72,000	N/A	12.20	41 <sup>1</sup> / <sub>4</sub> x 59 <sup>1</sup> / <sub>2</sub> x 88 <sup>1</sup> / <sub>8</sub> (1048 x 1510 x 2238)	765 (347)
RAH090*0AA0AAA	7.5	89,000	N/A	12.20	49 <sup>3</sup> / <sub>8</sub> x 59 <sup>1</sup> / <sub>2</sub> x 88 <sup>1</sup> / <sub>8</sub> (1253 x 1510 x 2238)	925 (420)
RAH102*0AA0AAA	8.5	97,000	N/A	12.20	49 <sup>3</sup> / <sub>8</sub> x 59 <sup>1</sup> / <sub>2</sub> x 88 <sup>1</sup> / <sub>8</sub> (1253 x 1510 x 2238)	925 (420)
RAH110*0AA0AAA	10.0	111,000	N/A	12.00	49 <sup>3</sup> / <sub>8</sub> x 59 <sup>1</sup> / <sub>2</sub> x 88 <sup>1</sup> / <sub>8</sub> (1253 x 1510 x 2238)	1090 (495)
RAH120*0AA0AAA	10.0	115,000	N/A	11.70	49 <sup>3</sup> / <sub>8</sub> x 59 <sup>1</sup> / <sub>2</sub> x 88 <sup>1</sup> / <sub>8</sub> (1253 x 1510 x 2238)	1090 (495)
RAH150*0AA0AAA	12.5	146,000	N/A	12.40	57 <sup>3</sup> / <sub>8</sub> x 63 <sup>3</sup> / <sub>8</sub> x 115 <sup>7</sup> / <sub>8</sub> (1456 x 1609 x 2942)	1430 (649)

Specifications subject to change without notice.

## HIGH-EFFICIENCY PACKAGE ELECTRIC COOLING, R-410A SINGLE PACKAGE ROOFTOP 15-25 TONS [3-Phase]

### BUILT TO LAST, EASY TO INSTALL AND SERVICE

- One-piece, high efficiency electric cooling with a low profile, prewired, tested, and charged at the factory
- Dedicated vertical and horizontal air flow duct configuration models. No field kits required
- Two stage cooling capacity with independent circuits and control
- Pre-painted exterior panels and primer-coated interior panels tested to 500 hours salt spray protection
- Fully insulated cabinet
- Full perimeter base rail with built-in rigging adapters and fork truck slots
- Scroll compressors on all models
- All units have high and low pressure switches
- Two inch disposable fiberglass type return air filters in dedicated rack with tool-less filter access door
- Refrigerant circuits contain a liquid line filter drier to trap dirt and moisture
- Exclusive non-corrosive composite condensate pan in accordance with ASHRAE 62 Standard, sloping design; end drain
- Belt drive evaporator-fan motor and pulley combinations available to meet most applications
- Access panels with easy grip handles provide quick and easy access to the blower and blower motor, control box, and compressors
- “No-strip” screw system has superior holding power and guides screws into position while preventing the screw from stripping the unit’s metal.
- Newly designed terminal board facilitates simple safety circuit troubleshooting and simplified control box arrangement
- Standard outdoor temperature cooling operation range up to 125°F (52°C) and down to 35°F to (2°C)
- TXV metering device on all models to precisely control refrigerant flow
- Large, laminated wiring and power wiring drawings which are affixed to unit make troubleshooting easy
- Capable of thru-the-base or thru-the-curb electrical routing
- Full range of electric heaters and single point electrical connections

### WARRANTY

- 5 year compressor limited warranty
- 1 year standard parts limited warranty

### EXTENDED WARRANTY

- 5 year extended parts warranty available



15 Ton



OR



Intertek



# RAH 181-303 (continued)

UNIT	DEDICATED AIRFLOW	NOMINAL TONS	COOLING			TOTAL POWER (kW)	UNIT DIMENSIONS (H x W x L)	UNIT WEIGHT lb [kg]
			Net Cap. (Btuh)	EER	IEER			
RAH181*0AA0AAA	Vertical	15.0	174,000	12.2	13.2	14.3	48 <sup>3</sup> / <sub>8</sub> x 86 <sup>3</sup> / <sub>8</sub> x 127 <sup>7</sup> / <sub>8</sub>	1793 [815]
RAH183*0AA0AAA	Horizontal	15.0	174,000	11.8	12.4	14.3	48 <sup>3</sup> / <sub>8</sub> x 86 <sup>3</sup> / <sub>8</sub> x 127 <sup>7</sup> / <sub>8</sub>	1793 [815]
RAH210*0AA0AAA	Vertical	17.5	202,000	12.2	13.2	16.6	48 <sup>3</sup> / <sub>8</sub> x 86 <sup>3</sup> / <sub>8</sub> x 141 <sup>1</sup> / <sub>2</sub>	2003 [911]
RAH213*0AA0AAA	Horizontal	17.5	202,000	11.7	12.5	16.6	48 <sup>3</sup> / <sub>8</sub> x 86 <sup>3</sup> / <sub>8</sub> x 141 <sup>1</sup> / <sub>2</sub>	2003 [911]
RAH240*0AA0AAA	Vertical	20.0	232,000	12.2	13.4	19.3	48 <sup>3</sup> / <sub>8</sub> x 86 <sup>3</sup> / <sub>8</sub> x 141 <sup>1</sup> / <sub>2</sub>	2148 [976]
RAH243*0AA0AAA	Horizontal	20.0	232,000	11.8	12.9	19.3	48 <sup>3</sup> / <sub>8</sub> x 86 <sup>3</sup> / <sub>8</sub> x 141 <sup>1</sup> / <sub>2</sub>	2148 [976]
RAH300*0AA0AAA	Vertical	25.0	282,000	11.4	12.2	25.2	48 <sup>3</sup> / <sub>8</sub> x 86 <sup>3</sup> / <sub>8</sub> x 157 <sup>3</sup> / <sub>4</sub>	2193 [997]
RAH303*0AA0AAA	Horizontal	25.0	282,000	10.9	11.3	25.2	48 <sup>3</sup> / <sub>8</sub> x 86 <sup>3</sup> / <sub>8</sub> x 157 <sup>3</sup> / <sub>4</sub>	2193 [997]

Specifications subject to change without notice.



## ELECTRIC COOLING, R-410A SINGLE PACKAGE ROOFTOP 7-1/2 - 15 TONS (3-PHASE)

### BUILT TO LAST, EASY TO INSTALL and SERVICE

- Two-stage/two circuit cooling capacity control on 090-180 models
- Two-stage/single circuit cooling capacity control on 089, 100, 119 models
- Rated in accordance with AHRI Standard 340/360
- EERs up to 11.3
- IEERs up to 12.2 with single speed indoor fan motor
- IEERs up to 13.0 with 2-speed/VFD indoor fan motor
- Designed in accordance with Underwriters' Laboratories Standard 1995
- Listed by UL and UL, Canada or ETL and ETL, Canada
- Exclusive non-corrosive composite condensate pan in accordance with ASHRAE 62 Standard, sloping design; side or center drain
- Pre-painted exterior panels and primer-coated interior panels tested to 500 hours salt spray protection
- Fixed refrigerant metering system
- Fully insulated cabinet
- Cooling operating range from 40°F up to 115°F
- Access panels with easy grip handles and no-strip screw feature
- Two-inch disposable return air filters
- Tool-less filter access door
- Standard belt drive, constant torque motor
- Advanced terminal board for simple safety circuit troubleshooting and control box arrangement
- Field Convertible from vertical to horizontal airflow configuration on all models. No special kit required on 089-150 models. Field accessory supply duct kit required for 180 size models only.
- Provisions for thru-the-bottom power entry capability
- Single point electric connections
- Full perimeter base rail with built-in rigging adapters and fork truck slots
- Scroll compressors with internal line-break overload protection Copper tube, aluminum fin coils
- 24-volt control circuit protected with resettable circuit breaker
- Permanently lubricated evaporator-fan motor
- Permanently lubricated, totally enclosed condenser-fan motors
- Low pressure, freeze protection, and high-pressure switches
- Liquid line filter drier standard

### FACTORY OPTIONS INCLUDING BUT NOT LIMITED TO:

- Economizer and two position damper options
- Disconnect and convenience outlet options
- Multiple optional motor and pulley combinations
- Corrosion resistant options for evaporator and condenser coils
- 2 speed indoor fan motor on 2 stage cooling models
- Integrated economizer system. Standard and Ultra Low Leak versions available

### WARRANTY

- 5 Year limited warranty on compressor
- 1 Year limited warranty on parts

### EXTENDED WARRANTY

- 1 Year extended parts warranty available



RAS-072



RAS089-120



RAS180



# RAS 089-180 (continued)

## UNIT PERFORMANCE DATA — Two Stage Cooling/Single Circuit

UNIT	COOLING				Unit Dimensions H x W x L Inches (mm)	Unit Weight lb. [kg]
	Nominal Tons	Net. Cap (Btuh)	EER	Total Power (kW)		
RAS089*0AA0AAA	7-1/2	88,000	11.0	8.0	41-3/8" x 59-1/2" x 88-1/8" (1051 x 1510 x 2238)	705 [320]
RAS100*0AA0AAA	8-1/2	97,000	11.2	8.8	49-3/8" x 59-1/2" x 88-1/8" (1253 x 1510 x 2238)	845 [384]
RAS119*0AA0AAA	10	117,000	11.2	10.6	49-3/8" x 59-1/2" x 88-1/8" (1253 x 1510 x 2238)	855 [388]

## UNIT PERFORMANCE DATA — Dual Stage Cooling/Two Circuits

UNIT	COOLING				Unit Dimensions H x W x L Inches (mm)	Unit Weight lb. [kg]
	Nominal Tons	Net. Cap (Btuh)	EER	Total Power (kW)		
RAS090*0AA0AAA	7-1/2	83,000	11.2	7.4	41-3/8" x 59-1/2" x 88-1/8" (1051 x 1510 x 2238)	760 [345]
RAS102*0AA0AAA	8-1/2	97,000	11.2	9.0	49-3/8" x 59-1/2" x 88-1/8" (1253 x 1510 x 2238)	855 [388]
RAS120*0AA0AAA	10	114,000	11.3	10.1	49-3/8" x 59-1/2" x 88-1/8" (1253 x 1510 x 2238)	865 [393]
RAS150*0AA0AAA	12-1/2	140,000	11.0	12.7	49-3/8" x 59-1/2" x 88-1/8" (1253 x 1510 x 2238)	1075 [489]
RAS180*0AA0AAA	15	174,000	11.0	15.8	57-3/8" x 63-3/8" x 115-7/8" (1456 x 1609 x 2942)	1305 [593]

\* Indicates Unit voltage: H = 208/230-3-60, L = 460-3-60, S = 575-3-60

NOTE: BASE MODEL NUMBERS LISTED. SEE MODEL NOMENCLATURE LISTING FOR ADDITIONAL OPTIONS

Specifications subject to change without notice.

# RAS 210-336

## ASHRAE 90.1 COMPLIANT PACKAGED ROOFTOP ELECTRIC COOLING UNITS, VERTICAL SUPPLY AND RETURN CONFIGURATION ONLY R-410A, 17.5 - 27.5 TONS

### BUILT TO LAST, EASY TO INSTALL AND SERVICE

- One-piece, standard efficiency electric cooling with a low profile, prewired, tested, and charged at the factory
- Dedicated vertical air flow duct configuration models.
- Full perimeter base rail with built-in rigging adapters and fork truck slots
- Pre-painted exterior panels and primer-coated interior panels tested to 500 hours salt spray protection
- Fully insulated cabinet
- Two-stage cooling with independent circuits and control on all models
- Scroll compressors with internal line-break connections on all models
- All units have high and low pressure switches
- Two inch disposable fiberglass type return air filters in dedicated rack
- Refrigerant circuits contain a liquid line filter drier to trap dirt and moisture
- Round tube plate fin evaporator and condenser coil design
- Exclusive non-corrosive composite condensate pan in accordance with ASHRAE 62 Standard, sloping design; end drain
- Belt drive evaporator-fan motor and pulley combinations available to meet most applications
- Access panels with easy grip handles provide quick and easy access to the blower and blower motor, control box, and compressors.
- “No-strip” screw system has superior holding power and guides screws into position while preventing the screw from stripping the unit’s metal.
- Newly designed terminal board facilitates simple safety circuit troubleshooting and simplified control box arrangement
- Standard outdoor temperature cooling operation range up to 115°F (46°C) and down to 35°F (2°C)
- Fixed orifice metering devices on all models to precisely control refrigerant flow
- Large, laminated control wiring and power wiring drawings are affixed to unit to make troubleshooting easy
- Single point electrical connections

### WARRANTY

- 5 Year compressor limited warranty
- 1 Year parts limited warranty

### EXTENDED WARRANTY

- 5 Year extended parts warranty available



17.5 Ton



20 & 25 Ton



Use of the AHRI Certified TM Mark indicates a manufacturer's participation in the program. For verification of certification for individual products, go to [www.ahridirectory.org](http://www.ahridirectory.org).



### UNIT PERFORMANCE DATA – Two Stage Cooling

UNIT	Dedicated Airflow	Nominal Tons	COOLING		Total Power (kW)	Unit Dimensions H x W x L	Unit Weight lb. [kg]
			Net Cap. (Btuh)	EER			
RAS210*0AA0AAA	Vertical	17.5	208,000	11.0	18.9	49-3/8" x 86-5/8" x 127-7/8"	2243 [1017]
RAS240*0AA0AAA	Vertical	20	242,000	10.0	24.2	49-3/8" x 86-5/8" x 141-1/2"	2277 [1033]
RAS300*0AA0AAA	Vertical	25	280,000	10.0	28.0	57-3/8" x 86-5/8" x 141-1/2"	2525 [1145]
RAS336*0AA0AAA	Vertical	27.5	330,000	10.4	31.7	57-3/8" x 86-5/8" x 157-3/4"	2513 [1142]

\* Indicates Unit voltage: H = 208/230–3–60, L = 460–3–60, S = 575–3–60

**NOTE: BASE MODEL NUMBERS LISTED. SEE MODEL NOMENCLATURE LISTING FOR ADDITIONAL OPTIONS**

Specifications subject to change without notice.

## HIGH-EFFICIENCY PACKAGE GAS HEATING/ ELECTRIC COOLING, R-410A SINGLE PACK- AGE ROOFTOP 6 TO 12.5 TONS

### BUILT TO LAST, EASY TO INSTALL AND SERVICE

- R-410A HFC refrigerant
- ASHRAE 90.1-2013 compliant and ENERGY STAR\* qualified
- Two-stage cooling capacity control on 072-150 models
- Rated in accordance with AHRI Standard 340/360 [072-150 sizes]
- Designed in accordance with Underwriters' Laboratories Standard 1995
- Listed by UL and UL, Canada or ETL, ETL Canada
- Exclusive non-corrosive composite condensate pan in accordance with ASHRAE 62 Standard, sloping design; side or center drain
- Gas efficiencies up to 82%†
- Induced draft combustion
- Redundant gas valve, with 1 or 2 stages of heating
- Pre-painted exterior panels and primer-coated interior panels tested to 500 hours salt spray protection
- TXV refrigerant metering device on each circuit.
- Exclusive IGC (Integrated Gas Controller) solid-state control for on-board diagnostics with LED error code designation, burner control logic, energy saving indoor fan motor delay, and anti-cycle protection for gas heat operation
- "Low NOx" models available that meet California Air Quality Management NOx requirements and include stainless steel heat exchangers
- Cooling operating range from 35°F up to 125°F. 110 size model standard cooling operation down to 0°F [-18°C]
- Access panels with easy grip handles and no-strip screw feature
- Two-inch disposable return air filters
- Tool-less filter access door
- Belt drive evaporator-fan motor and pulley combinations available on all three-phase models
- Central terminal board for simple safety circuit troubleshooting and control box arrangement
- Field convertible from vertical to horizontal airflow on all models. No special kit required on 072-120 models. Supply duct kit required for 150 size model only.
- Provisions for thru-the-bottom power entry capability single point gas and electric connections
- Full perimeter base rail with built-in rigging adapters and fork truck slots
- Scroll compressors with internal line-break overload protection
- Copper tube, aluminum fin coils
- 24-volt control circuit protected with resettable circuit breaker
- Permanently lubricated evaporator-fan motor
- Permanently lubricated, totally enclosed, shaft down condenser motors
- Low-pressure, freeze protection, and high-pressure switches
- Solid-state electronic direct spark ignition system
- Liquid line filter drier

### WARRANTY

- 15 Year limited warranty on optional stainless steel heat exchanger
- 10 Year limited warranty on aluminized heat exchanger
- 5 Year compressor limited warranty
- 1 Year parts limited warranty

### EXTENDED WARRANTY

- 5 Year extended parts warranty available

\*ENERGY STAR is a registered trademark of the U.S. Environmental Protection Agency.

† Gas efficiencies up to 82% achieved by all units except size 150 of standard units and all sizes of low NOx units.



RGH072-150



OR



Use of the AHRI Certified TM Mark indicates a manufacturer's participation in the program. For verification of certification for individual products, go to [www.ahridirectory.org](http://www.ahridirectory.org).

# RGH 072-150 (continued)

TWO STAGE COOLING								
UNIT	NOM. TONS	COOLING			GAS HEATING		UNIT DIMENSIONS H x W x L in (mm)	UNIT WEIGHT lb. (kg)
		NET CAP. (Btuh)	SEER	EER	INPUT CAP. (BTUH)	THERMAL EFFICIENCY (%)		
RGH072*+XA0AAA	6	72,000	N/A	12.00	72,000-150,000	80-82	41 <sup>1</sup> / <sub>4</sub> x 59 <sup>1</sup> / <sub>2</sub> x 88 <sup>1</sup> / <sub>8</sub> (1048 x 1510 x 2238)	765 (347)
RGH090*+XA0AAA	7.5	89,000	N/A	12.00	125,00-224,000	82	49 <sup>3</sup> / <sub>8</sub> x 59 <sup>1</sup> / <sub>2</sub> x 88 <sup>1</sup> / <sub>8</sub> (1253 x 1510 x 2238)	925 (420)
RGH102*+XA0AAA	8.5	97,000	N/A	12.00	125,00-224,000	82	49 <sup>3</sup> / <sub>8</sub> x 59 <sup>1</sup> / <sub>2</sub> x 88 <sup>1</sup> / <sub>8</sub> (1253 x 1510 x 2238)	925 (420)
RGH110*+XA0AAA	10	111,000	N/A	12.00	180,000-250,000	80-82	49 <sup>3</sup> / <sub>8</sub> x 59 <sup>1</sup> / <sub>2</sub> x 88 <sup>1</sup> / <sub>8</sub> (1253 x 1510 x 2238)	1090 (495)
RGH120*+XA0AAA	10	115,000	N/A	11.50	180,000-250,000	80-82	49 <sup>3</sup> / <sub>8</sub> x 59 <sup>1</sup> / <sub>2</sub> x 88 <sup>1</sup> / <sub>8</sub> (1253 x 1510 x 2238)	1090 (495)
RGH150*+XA0AAA	12.5	146,000	N/A	12.20	150,000-240,000	80-81	57 <sup>3</sup> / <sub>8</sub> x 63 <sup>3</sup> / <sub>8</sub> x 115 <sup>7</sup> / <sub>8</sub> (1456 x 1609 x 2942)	1430 (649)

Specifications subject to change without notice.

# RGH 181-303

## HIGH-EFFICIENCY GAS HEAT/ELECTRIC COOLING PACKAGED ROOFTOP 15 TO 25 NOMINAL TONS

### BUILT TO LAST, EASY TO INSTALL AND SERVICE

- One-piece, high efficiency gas heating and electric cooling with a low profile, prewired, tested, and charged at the factory
- Dedicated vertical or horizontal air flow duct configuration models. No field kits required.
- Full perimeter base rail with built-in rigging adapters and fork truck slots
- Pre-painted exterior panels and primer-coated interior panels tested to 500 hours salt spray protection
- Fully insulated cabinet
- Two-stage cooling with independent circuits and control on all models
- Redundant gas valve for two stage gas heating capacity control
- Exclusive IGC solid-state control for on-board diagnostics with LED error code designation, burner control logic and energy saving indoor fan motor delay
- High efficiency, gas heat with induced draft flue exhaust design
- Scroll compressors on all models
- All units have high and low pressure switches
- Two inch disposable fiberglass type return air filters in dedicated rack with tool-less filter access door
- Refrigerant circuits contain a liquid line filter drier to trap dirt and moisture
- Exclusive non-corrosive composite condensate pan in accordance with ASHRAE 62 Standard, sloping design; end drain
- Belt drive evaporator-fan motor and pulley combinations available to meet most applications
- Access panels with easy grip handles provide quick and easy access to the blower and blower motor, control box, and compressors.
- “No-strip” screw system has superior holding power and guides screws into position while preventing the screw from stripping the unit’s metal.
- Newly designed terminal board facilitates simple safety circuit troubleshooting and simplified control box arrangement
- Standard outdoor temperature cooling operation range up to 125°F (52°C) and down to 35°F (2°C)
- TXV metering devices on all models to precisely control refrigerant flow
- Large, laminated control wiring and power wiring drawings are affixed to unit to make troubleshooting easy
- Capable of thru-the-base or thru-the-curb gas line routing
- Single point gas and electrical connections



15 Ton



### WARRANTY

- 15 Year limited warranty on optional stainless steel heat exchanger.
- 10 Year limited warranty on aluminized stainless steel heat exchanger
- 5 Year compressor limited warranty
- 1 Year parts limited warranty

### EXTENDED WARRANTY

- 5 Year extended parts warranty available

### Unit Performance Data — Two Stage Cooling

UNIT	DEDICATED AIRFLOW	NOMINAL TONS	COOLING		GAS HEATING		UNIT DIMENSIONS (H x W x L)	UNIT WEIGHT lb. (kg)
			Net Cap. (Btuh)	EER	Input Cap. (Btuh) Stage 2	Thermal Efficiency %		
RGH181*AA0AAA	Vertical	15	174,000	12.0	220,000-400,000	81	49 3/8 x 86 3/8 x 127 7/8	1892 (860)
RGH183*AA0AAA	Horizontal	15	174,000	11.5	220,000-400,000	81	49 3/8 x 86 3/8 x 127 7/8	1892 (860)
RGH210*AA0AAA	Vertical	17.5	202,000	12.0	220,000-400,000	81	49 3/8 x 86 3/8 x 141 1/2	2102 (956)
RGH213*AA0AAA	Horizontal	17.5	202,000	11.3	220,000-400,000	81	49 3/8 x 86 3/8 x 141 1/2	2102 (956)
RGH240*AA0AAA	Vertical	20	232,000	12.0	220,000-400,000	81	57 3/8 x 86 3/8 x 141 1/2	2247 (1021)
RGH243*AA0AAA	Horizontal	20	232,000	11.4	220,000-400,000	81	57 3/8 x 86 3/8 x 141 1/2	2247 (1021)
RGH300*AA0AAA	Vertical	25	282,000	11.2	220,000-400,000	81	57 3/8 x 86 3/8 x 157 3/4	2292 (1042)
RGH303*AA0AAA	Horizontal	25	282,000	10.5	220,000-400,000	81	57 3/8 x 86 3/8 x 157 3/4	2292 (1042)

\* Indicates Unit voltage: H = 208/230-3-60, L = 460-3-60, S = 575-3-60

† See model number nomenclature listing for gas heating options

## ASHRAE 90.1 COMPLIANT PACKAGE GAS HEATING/ELECTRIC COOLING, R-410A SINGLE PACKAGE ROOFTOP 7.5 – 15 TONS

### BUILT TO LAST, EASY TO INSTALL and SERVICE

- R-410A HFC refrigerant
- ASHRAE 90.1 energy compliant efficiency levels
- Two stage / two circuit cooling capacity control on 090-180 models
- Two stage /single circuit cooling capacity control on 089, 100, 199 models
- Rated in accordance with AHRI Standard 340/360
- Designed in accordance with Underwriters' Laboratories Standard 1995
- Listed by UL and UL, Canada or ETL and ETL, Canada
- Exclusive non-corrosive composite condensate pan in accordance with ASHRAE 62 Standard, sloping design; side or center drain
- Gas efficiencies up to 82%
- Induced draft combustion
- Redundant gas valve, with 1 or 2 stages of heating
- Pre-painted exterior panels and tested to 500 hours salt spray protection
- Fixed refrigerant metering system
- Fully insulated cabinet
- Exclusive IGC solid-state control for on-board diagnostics with LED error code designation, burner control logic.
- Cooling operating range from 40°F up to 115°F.
- Access panels with easy grip handles and no-strip screw feature
- Two-inch disposable return air filters
- Tool-less filter access door
- Standard belt drive, constant torque motor
- Advanced terminal board for simple safety circuit troubleshooting and control box arrangement
- Field Convertible from vertical to horizontal airflow on all models. No special kit required on 089-150 models. Field accessory supply duct kit required for 180 size model only
- Provisions for thru-the-bottom power entry capability
- Single point gas and electric connections
- Full perimeter base rail with built-in rigging adapters and fork truck slots
- Scroll compressors with internal line-break overload protection
- Copper tube, aluminum fin coils
- 24-volt control circuit protected with resettable circuit breaker
- Permanently lubricated evaporator-fan motor
- Permanently lubricated, totally enclosed, shaft down condenser motors
- Low pressure, freeze protection, and high pressure switches
- Exclusive IGC anti-cycle protection for gas heat operation
- Solid-state electronic direct spark ignition system
- Flame roll-out safety protector
- Liquid line filter drier

### WARRANTY

- 15 Year limited warranty on stainless steel heat exchanger
- 10 Year limited warranty on aluminized heat exchanger
- 5 Year limited warranty on compressor
- 1 Year limited warranty on parts

### EXTENDED WARRANTY

- 5 Year extended parts warranty available



RGS089-120



RGS180



# RGS 072-180 (continued)

## UNIT PERFORMANCE DATA — Dual Stage Cooling /Single Circuit

UNIT	Nominal Tons	COOLING		GAS HEATING		Unit Dimensions H x W x L	Shipping Weight lb. [kg]
		Net. Cap (Btuh)	EER	Input Cap. (Btuh) Stage 2	Thermal Efficiency (%)		
RGS089* <sup>^</sup> AA0AAA	7 1/2	88,000	11.0	125,000 - 224,000	80 - 82	41 1/4" x 59 1/2" x 88 1/8"	810 [367]
RGS100* <sup>^</sup> AA0AAA	8 1/2	97,000	11.0	125,000 - 224,000	82	49 3/8" x 59 1/2" x 88 1/8"	910 [413]
RGS119* <sup>^</sup> AA0AAA	10	117,000	11.0	180,000 - 250,000	80 - 82	49 3/8" x 59 1/2" x 88 1/8"	965 [438]

## UNIT PERFORMANCE DATA — Dual Stage Cooling / Two Circuits

UNIT	Nominal Tons	COOLING		GAS HEATING		Unit Dimensions H x W x L	Shipping Weight lb. [kg]
		Net. Cap (Btuh)	EER	Input Cap. (Btuh) Stage 2	Thermal Efficiency (%)		
RGS090* <sup>^</sup> AA0AAT	7 1/2	83,000	11.0	125,000 - 224,000	82	41 1/4" x 59 1/2" x 88 1/8"	810 [367]
RGS102* <sup>^</sup> AA0AAT	8 1/2	99,000	11.0	125,000 - 224,000	80 - 82	49 3/8" x 59 1/2" x 88 1/8"	910 [413]
RGS120* <sup>^</sup> AA0AAT	10	114,000	11.1	180,000 - 250,000	80 - 82	49 3/8" x 59 1/2" x 88 1/8"	965 [438]
RGS150* <sup>^</sup> AA0AAT	12 1/2	140,000	10.8	180,000 - 250,000	80 - 82	49 3/8" x 59 1/2" x 88 1/8"	1116 [506]
RGS180* <sup>^</sup> AA0AAT	15	174,000	10.8	180,000 - 350,000	80 - 81	57 3/8" x 63 3/8" x 115 7/8"	1380 [627]

\* Indicates Unit voltage: H = 208/230-3-60, L = 460-3-60, S = 575-3-60

<sup>^</sup> See model nomenclature listing for gas heating options.

**NOTE: BASE MODEL NUMBERS LISTED. SEE MODEL NOMENCLATURE LISTING FOR ADDITIONAL OPTIONS**



# RGS 210-336

## ASHRAE 90.1 COMPLIANT PACKAGE GAS HEATING/ELECTRIC COOLING, VERTICAL SUPPLY/RETURN AIR CONFIGURATION ONLY R-410A SINGLE PACKAGE ROOFTOP 17.5 – 27.5 TONS

### BUILT TO LAST, EASY TO INSTALL and SERVICE

- One-piece, standard efficiency gas heating and electric cooling with a low profile, prewired, tested, and charged at the factory
- Dedicated vertical air flow duct configuration models
- Full perimeter base rail with built-in rigging adapters and fork truck slots
- Pre-painted exterior panels and primer-coated interior panels tested to 500 hours salt spray protection
- Fully insulated cabinet
- Two-stage cooling with independent circuits and control on all models
- Redundant gas valve for two stage gas heating capacity control
- Exclusive IGC solid-state control for on-board diagnostics with LED error code designation, burner control logic and energy saving indoor fan motor delay
- High efficiency, gas heat with induced draft flue exhaust design
- Scroll compressors with internal line-break connections on all models
- All units have high and low pressure switches
- Two inch disposable fiberglass type return air filters in dedicated rack
- Refrigerant circuits contain a liquid line filter drier to trap dirt and moisture
- Round tube plate fin evaporator and condenser coil design
- Exclusive non-corrosive composite condensate pan in accordance with ASHRAE 62 Standard, sloping design; end drain
- Belt drive evaporator-fan motor and pulley combinations available to meet most applications
- Access panels with easy grip handles provide quick and easy access to the blower and blower motor, control box, and compressors
- “No-strip” screw system has superior holding power and guides screws into position while preventing the screw from stripping the unit’s metal.
- Newly designed terminal board facilitates simple safety circuit troubleshooting and simplified control box arrangement
- Standard outdoor temperature cooling operation range up to 115°F (46°C) and down to 30°F (-1°C)
- Fixed orifice metering devices on all models to precisely control refrigerant flow
- Large, laminated control wiring and power wiring drawings are affixed to unit to make troubleshooting easy
- Single point gas and electrical connections



17.5 Ton



20 and 25 Ton



### WARRANTY

- 15 Year limited warranty on optional stainless steel heat exchanger
- 10 Year limited warranty on aluminized steel heat exchanger
- 5 Year compressor limited warranty
- 1 Year parts limited warranty



### EXTENDED WARRANTY

- 5 Year extended parts warranty available

#### UNIT PERFORMANCE DATA — Two Stage Cooling

UNIT	Dedicated Airflow	Nominal Tons	COOLING		GAS HEATING		Unit Dimensions H x W x L	Shipping Weight lb. [kg]
			Net. Cap (Btuh)	EER	Input Cap. (Btuh) Stage 2	Thermal Efficiency (%)		
RGS210*AA0AAA	Vertical	17.5	208,000	10.8	220,000 - 400,000	81.0	49 3/8" x 86 5/8" x 127 7/8"	1948 [884]
RGS240*AA0AAA	Vertical	20.0	242,000	9.8	220,000 - 400,000	81.0	49 3/8" x 86 5/8" x 141 1/2"	2098 [952]
RGS300*AA0AAA	Vertical	25.0	280,000	9.8	220,000 - 400,000	81.0	57 3/8" x 86 5/8" x 141 1/2"	2234 [1013]
RGS336*AA0AAA	Vertical	27.5	330,000	10.2	220,000 - 400,000	81.0	57 3/8" x 86 5/8" x 157 3/4"	2668 [1210]

\* Indicates Unit voltage: H = 208/230-3-60, L = 460-3-60, S = 575-3-60

^ See model nomenclature listing for gas heating options.

NOTE: BASE MODEL NUMBERS LISTED. SEE MODEL NOMENCLATURE LISTING FOR ADDITIONAL OPTIONS

# RHH 072-120

## HIGH-EFFICIENCY PACKAGE HEAT PUMPS, R-410A SINGLE PACKAGE ROOFTOP 6 - 10 TONS [1 & 3-Phase]

### BUILT TO LAST, EASY TO INSTALL AND SERVICE

- ASHRAE 90.1-2013 compliant and ENERGY STAR\* certified
- SEERs up to 15.8, EERs up to 12.8
- IEERs up to 14.0 with single speed indoor fan motor
- IEERs up to 15.6 with 2-speed/VFD indoor fan motor
- Exclusive non-corrosive composite condensate pan in accordance with ASHRAE 62 Standard, sloping design; side or center drain
- Convertible from vertical to horizontal airflow for slab mounting. Supply duct kit required for 120 size models.
- Copper tube aluminum fin coils with optional corrosion resistant coils
- Pre-painted exterior panels and primer coated interior panels tested to 500 hours salt spray protection
- TXV refrigerant metering system on each circuit
- Cooling operating range up to 125°F (52°C) and down to 30°F (-1°C)
- Solid-state control board and easy access terminal board
- Refrigerant filter drier and accumulator on each refrigerant circuit
- Automatic changeover when used with auto-changeover thermostat
- Rated in accordance with AHRI Standards 340/360 (072-120)
- Designed in accordance with Underwriters' Laboratories Std 1995
- Listed by UL and UL, Canada or ETL, ETL Canada
- Access panels with easy grip handles
- Innovative, easy starting, no strip screw features on unit access panels.
- Two-inch disposable return air filters
- Tool-less filter access door
- Belt drive evaporator-fan motor and pulley combinations available on all three phase sizes to meet any application
- Central terminal board facilitating simple safety circuit troubleshooting and simplified control box arrangement
- Thru-the-bottom power entry capability standard
- Single point electric connections
- Full perimeter base rail with built-in rigging adapters & fork truck slots
- Scroll compressors with internal line break overload protection
- Dependable Time / Temperature defrost board and logic
- 24-volt control circuit protected with resettable circuit breaker
- Permanently lubricated evaporator-fan motor
- Totally enclosed condenser motors with permanently lubricated bearings
- Loss of charge, freeze protection, and high-pressure switches

### OPTIONS AND ACCESSORIES INCLUDING BUT NOT LIMITED TO:

- 115-volt convenience outlet (powered and unpowered)
- Non-fused disconnect switch
- Economizer with db, enthalpy or CO<sub>2</sub> control options
- Corrosion resistant coil options for evaporator and condenser
- Multiple indoor fan motors for expanded airflow capability (3ph)
- Accessory electric heat (field-installed option only)
- Smoke detectors – Supply and Return air
- Hinged access panels
- 2-Speed indoor fan motor with VFD controller on 072 to 120 size models
- Standard and Ultra low leak economizers available

### WARRANTY

- 5 Year compressor limited warranty
- 1 Year parts limited warranty

### EXTENDED WARRANTY

- 5 Year extended parts warranty available

\* ENERGY STAR is a registered trademark of the U.S. Environmental Protection Agency.



RHH072-120



Except 036  
in single phase



OR



Intertek



Use of the AHRI Certified TM Mark indicates a manufacturer's participation in the program. For verification of certification for individual products, go to [www.ahridirectory.org](http://www.ahridirectory.org).

# RHH 072-120 (continued)

UNIT PERFORMANCE DATA									
BASE MODEL	Nom Tons	COOLING			HEATING			Unit Dimensions H x W x L in. (mm)	Unit Weight lbs (kg)
		Net Cap. (Btuh)	SEER	EER	High Cap. (Btuh)	HSPF	COP		
RHH072*0AA0AAA	6	72,000	N/A	12.0	70,000	N/A	3.4	41 <sup>3</sup> / <sub>8</sub> x 59 <sup>1</sup> / <sub>2</sub> x 88 <sup>1</sup> / <sub>8</sub> (1051 x 1510 x 2238)	710 (322)
RHH073*0AA0AAA	6	70,000	N/A	12.0	69,000	N/A	3.4	41 <sup>3</sup> / <sub>8</sub> x 59 <sup>1</sup> / <sub>2</sub> x 88 <sup>1</sup> / <sub>8</sub> (1051 x 1510 x 2238)	710 (322)
RHH090*0AA0AAA	7 <sup>1</sup> / <sub>2</sub>	90,000	N/A	12.1	84,000	N/A	3.5	49 <sup>3</sup> / <sub>8</sub> x 59 <sup>1</sup> / <sub>2</sub> x 88 <sup>1</sup> / <sub>8</sub> (1253 x 1510 x 2238)	875 (397)
RHH102*0AA0AAA	8 <sup>1</sup> / <sub>2</sub>	100,000	N/A	12.0	100,000	N/A	3.4	49 <sup>3</sup> / <sub>8</sub> x 59 <sup>1</sup> / <sub>2</sub> x 88 <sup>1</sup> / <sub>8</sub> (1253 x 1510 x 2238)	1020 (463)
RHH120*0AA0AAA	10	119,000	N/A	12.3	116,000	N/A	3.5	57 <sup>3</sup> / <sub>8</sub> x 63 <sup>3</sup> / <sub>8</sub> x 115 <sup>7</sup> / <sub>8</sub> (1456 x 1609 x 2942)	1390 (632)

\* Indicates Unit voltage: K = 208/230-1-60, H = 208/230-3-60, L = 460-3-60, S = 575-3-60

Specifications subject to change without notice

## PACKAGED HEAT PUMP UNIT R-410A SINGLE PACKAGE ROOFTOP 7.5 - 12.5 TONS

### BUILT TO LAST, EASY TO INSTALL AND SERVICE

- R-410A HFC refrigerant
- ASHRAE 90.1 Energy Compliant
- EER up to 11.2
- IEER up to 12.5 with single speed indoor fan motor and up to 12.7 with 2-speed /VFD indoor fan motor
- COP up to 3.5
- Two-stage cooling capacity control on 090 to 150 models
- Exclusive non-corrosive composite condensate pan in accordance with ASHRAE 62 Standard, sloping design; side or center drain
- Convertible from vertical to horizontal airflow for slab mounting
- Copper tube aluminum fin coils with optional corrosion resistant coils
- Pre-painted exterior panels and tested to 500 hours salt spray protection
- Fixed orifice refrigerant metering system
- Cooling operating range up to 115°F (46°C) and down to 25°F (-4°C)
- Solid-state control board and easy access terminal board
- Refrigerant filter drier and accumulator on each refrigerant circuit
- Automatic changeover when used with auto-changeover thermostat
- Rated in accordance with AHRI Standards 340/360
- Designed in accordance with Underwriters Laboratories Std 1995
- Listed by UL and UL, Canada or ETL and ETL, Canada

### MAINTENANCE FEATURES

- Access panels with easy grip handles
- Innovative, easy starting, no strip screw features on unit access panels
- Two-inch disposable return air filters with tool-less filter access door
- Belt drive evaporator-fan motor and pulley combinations available on all sizes to meet any application
- Central terminal board facilitating simple safety circuit troubleshooting and simplified control box arrangement

### INSTALLATION FEATURES

- Thru-the-bottom power entry capability standard
- Single point electric connections
- Full perimeter base rail with built-in rigging adapters and fork truck slots

### RELIABILITY FEATURES

- Scroll compressors with internal line break overload protection
- Dependable Time / Temperature defrost board and logic
- 24-volt control circuit protected with resettable circuit breaker
- Permanently lubricated evaporator-fan motor

- Totally enclosed condenser motors with permanently lubricated bearings
- Loss of charge, freeze protection, and high-pressure switches

### FACTORY OPTIONS INCLUDING BUT NOT LIMITED TO:

- 115-volt convenience outlet (non-powered)
- Non-fused disconnect switch
- Economizer with db, enthalpy or CO<sub>2</sub> control options
- Corrosion resistant coil options for evaporator and condenser
- Multiple indoor fan motors for expanded airflow capability (3 phase)
- Accessory electric heat (field-installed option only)
- 2 speed indoor fan motor on 2 stage cooling models.
- Integrated economizer system. Low leak and ultra low leak versions available.

### WARRANTY

- 5 year compressor limited warranty
- 1 year parts limited warranty

### WARRANTY

- 5 year extended parts warranty available



RHS090-102



# RHS 072-150 (continued)

BASE MODEL	NOMINAL TONS	COOLING		HEATING		UNIT DIMENSIONS H x W x L (in.)	UNIT WEIGHT lb (kg)
		NET CAP. (BTUH)	EER	NET CAP. (BTUH)	COP		
RHS090*0AA0AAT	7.5	88,000	11.20	86,000	3.4	49 <sup>3</sup> / <sub>8</sub> x 59 <sup>1</sup> / <sub>2</sub> x 88 <sup>1</sup> / <sub>8</sub>	885 (401)
RHS102*0AA0AAT	8.5	99,000	11.20	96,000	3.3	49 <sup>3</sup> / <sub>8</sub> x 59 <sup>1</sup> / <sub>2</sub> x 88 <sup>1</sup> / <sub>8</sub>	910 (413)
RHS120*0AA0AAT	10	117,000	11.00	116,000	3.3	49 <sup>3</sup> / <sub>8</sub> x 59 <sup>1</sup> / <sub>2</sub> x 88 <sup>1</sup> / <sub>8</sub>	1050 (476)
RHS150*0AA0AAT	12.5	142,000	10.60	142,000	3.2	57 <sup>3</sup> / <sub>8</sub> x 63 <sup>3</sup> / <sub>8</sub> x 115 <sup>7</sup> / <sub>8</sub>	1370 (623)

\* Indicates unit voltage: H = 208/230-3-60, L = 460-3-60, S = 575-3-60

Specifications subject to change without notice.

## ASHRAE 90.1 COMPLIANT PACKAGED ROOFTOP HEAT PUMP UNITS, R-410A, 15 - 20 TONS

### BUILT TO LAST, EASY TO INSTALL AND SERVICE

- IEERs up to 11.5 with single speed indoor fan motor and up to 12.0 with 2-speed/VFD indoor fan motor
- One-piece electric heating and electric cooling units with a low profile, prewired, tested, and charged at the factory
- Dedicated vertical or horizontal air flow duct configuration models. No field kits required.
- Full perimeter base rail with built-in rigging adapters and fork truck slots
- Pre-painted exterior panels and primer-coated interior panels tested to 500 hours salt spray protection
- Fully insulated cabinet
- Two-stage cooling with independent circuits and control on all models
- Scroll compressors with internal line-break overload protection on all models
- All units have loss of charge, freeze protection and high pressure switches
- Two inch disposable fiberglass type return air filters in dedicated rack with tool-less filter access door
- Liquid line filter drier and refrigerant accumulator on each circuit
- Dependable time/temperature defrost logic provides a defrost cycle, if needed, every 30, 60, 90, or 120 minutes and is adjustable
- Copper round tube and aluminum plate fin condenser and evaporator coils
- Exclusive non-corrosive composite condensate pan in accordance with ASHRAE 62 Standard, sloping design; end drain
- Belt drive evaporator-fan motor and pulley combinations available to meet most applications
- Access panels with easy grip handles provide quick and easy access to the blower and blower motor, control box, and compressors.
- “No-strip” screw system has superior holding power and guides screws into position while preventing the screw from stripping the unit’s metal.
- Newly designed terminal board facilitates simple safety circuit troubleshooting and simplified control box arrangement
- Outdoor temperature cooling operation range up to 115°F (46°C) and down to 30°F (-15°C ). Low ambient controls are available for cooling operation down to -20°F (-29°C).
- TXV metering devices on all models to precisely control refrigerant flow
- Large, laminated control wiring and power wiring drawings are affixed to unit to make troubleshooting easy
- Standard, medium and high static fan motor options available (Standard static not available on horizontal 20 ton models)
- Optional 2-Speed Indoor Fan Motor System utilizes a Variable Frequency Drive (VFD) to automatically adjust the indoor fan motor speed between cooling stages. Available on 2-stage cooling models
- Provisions for thru-the-bottom or side power entry capability
- Single point electrical connections



15 Ton



Use of the AHRI Certified TM Mark indicates a manufacturer's participation in the program. For verification of certification for individual products, go to [www.ahrirectory.org](http://www.ahrirectory.org).



### WARRANTY

- 5 Year compressor limited warranty
- 1 Year parts limited warranty

### EXTENDED WARRANTY

- 5 Year extended parts warranty available

UNIT PERFORMANCE DATA – Two Stage Cooling									
UNIT	Dedicated Airflow	Nom. Tons	COOLING		HEATING		Total Power (kW)	Unit Dimensions H x W x L Inches (mm)	Unit Weight lb. [kg]
			Net Cap. (Btuh)	EER	HighCap. (Btuh)	COP			
RHS181*0AA0AAA	Vertical	15	172,000	10.8	166,000	3.3	15.9	49-3/8 x 86-3/8 x 127-7/8 (1253 x 2194 x 3249)	1775 [807]
RHS183*0AA0AAA	Horizontal	15	172,000	10.8	166,000	3.3	15.9	49-3/8 x 86-3/8 x 127-7/8 (1253 x 2194 x 3249)	1775 [807]
RHS240*0AA0AAA	Vertical	20	232,000	10.6	220,000	3.3	21.9	49-3/8 x 86-3/8 x 141-1/2 (1253 x 2194 x 3595)	2100 [955]
RHS243*0AA0AAA	Horizontal	20	232,000	10.6	220,000	3.3	21.9	49-3/8 x 86-3/8 x 141-1/2 (1253 x 2194 x 3595)	2100 [955]

\* Indicates Unit voltage: H = 208/230-3-60, L = 460-3-60, S = 575-3-60

**NOTE: BASE MODEL NUMBERS LISTED. SEE MODEL NOMENCLATURE LISTING FOR ADDITIONAL OPTIONS**

Specifications subject to change without notice

# COMMERCIAL SPLIT SYSTEMS

## 6-27.5 TONS

## COMMERCIAL SPLIT SYSTEMS CONDENSING UNITS R-410A, 6 to 20 TONS

### BUILT TO LAST, EASY TO INSTALL AND SERVICE

- Single and 2 stage capacity on 072 - 150 models
  - Dual circuit models 181 - 241
  - Terminal board facilitating simple safety circuit troubleshooting and simplified control box
  - Outdoor temperature cooling operation range up to 125°F (52°C) and down to 35°F (2°C)
  - All models utilize copper tube / aluminum plate fin coils
  - Brass suction and liquid line service valves
  - Full perimeter base rail with built-in rigging adapters and fork truck slots
  - Pre-painted exterior panels and primer-coated interior panels tested to 500 hours salt spray protection
  - Compressors mounted on independent vibration isolators
  - High capacity filter drier is supplied for each circuit. Field installation is required
  - Comfort Alert™ Diagnostic Controller
    - LED Go-No-Go and fault code
    - Built in time guard anti-short cycle
    - 3-phase fault protection
    - Fault code retention logic
    - Low volt compressor contactor protector
  - All units have high and low pressure switches
  - Direct drive permanently lubricated condenser fan motors
  - UL and UL, Canada apply to standard units; 575 volt units UL, Canada only
- WARRANTY**
- 5 Year compressor limited warranty
  - 1 Year parts limited warranty
- EXTENDED WARRANTY**
- 5 Year extended parts warranty available



CAS072-121



CAS240, 241



### UNIT PERFORMANCE DATA<sup>1</sup> — Single Circuit

model number	cooling				Total Power (kW)	Unit Dimensions H x W x L inches [mm]	Ship Weight lb / kg
	Nominal Capacity (Ton)	Net Capacity (BTUH)	EER	IEER (2-speed)			
CAS072*AA0A00A	6.0	70,000	11.5	12.9	6.1	42 <sup>3</sup> / <sub>8</sub> x 59 <sup>3</sup> / <sub>8</sub> x 45 <sup>7</sup> / <sub>8</sub> [1077 x 1508 x 1164]	389 / 176
CAS072*GA0A00A	6.0	70,000	12.0	14.0	5.8	42 <sup>3</sup> / <sub>8</sub> x 59 <sup>3</sup> / <sub>8</sub> x 45 <sup>7</sup> / <sub>8</sub> [1077 x 1508 x 1164]	389 / 176
CAS091*AA0A00A	7.5	92,000	11.2	12.9	8.2	42 <sup>3</sup> / <sub>8</sub> x 59 <sup>3</sup> / <sub>8</sub> x 45 <sup>7</sup> / <sub>8</sub> [1077 x 1508 x 1164]	391 / 177
CAS091*GA0A00A	7.5	92,000	11.2	14.0	8.2	42 <sup>3</sup> / <sub>8</sub> x 59 <sup>3</sup> / <sub>8</sub> x 45 <sup>7</sup> / <sub>8</sub> [1077 x 1508 x 1164]	391 / 177
CAS121*AA0A00A	10	117,000	10.3	12.9	10.4	50 <sup>3</sup> / <sub>8</sub> x 59 <sup>3</sup> / <sub>8</sub> x 45 <sup>7</sup> / <sub>8</sub> [1279 x 1507 x 1164]	490 / 222
CAS151*AA0A00A	12.5	148,000	11.0	12.4	13.5	50 <sup>3</sup> / <sub>8</sub> x 59 <sup>3</sup> / <sub>8</sub> x 45 <sup>7</sup> / <sub>8</sub> [1279 x 1507 x 1164]	598 / 271
CAS181*AA0A00A	15	184,000	11.2	14.3	16.4	50 <sup>3</sup> / <sub>8</sub> x 86 <sup>3</sup> / <sub>8</sub> x 45 <sup>1</sup> / <sub>8</sub> [1279 x 2193 x 1148]	731 / 322
CAS241*AA0A00A	20	240,000	11.0	13.6	21.8	50 <sup>3</sup> / <sub>8</sub> x 86 <sup>3</sup> / <sub>8</sub> x 67 <sup>1</sup> / <sub>8</sub> [1279 x 2193 x 1704]	978 / 444

### UNIT PERFORMANCE DATA<sup>1</sup> — Dual Circuit

CAS120*DA0A00A	10	117,000	10.3	13.0	10.4	50 <sup>3</sup> / <sub>8</sub> x 59 <sup>3</sup> / <sub>8</sub> x 45 <sup>7</sup> / <sub>8</sub> [1279 x 1507 x 1164]	516 / 234
CAS150*DA0A00A	12.5	148,000	11.0	12.4	13.5	50 <sup>3</sup> / <sub>8</sub> x 59 <sup>3</sup> / <sub>8</sub> x 45 <sup>7</sup> / <sub>8</sub> [1279 x 1507 x 1164]	654 / 297
CAS180*DA0A00A	15	184,000	11.2	12.6	16.4	50 <sup>3</sup> / <sub>8</sub> x 86 <sup>3</sup> / <sub>8</sub> x 45 <sup>1</sup> / <sub>8</sub> [1279 x 2193 x 1148]	731 / 322
CAS240*DA0A00A	20	240,000	11.0	12.0	21.8	50 <sup>3</sup> / <sub>8</sub> x 86 <sup>3</sup> / <sub>8</sub> x 67 <sup>1</sup> / <sub>8</sub> [1279 x 2193 x 1704]	978 / 444

<sup>1</sup>Indicates unit voltage: H = 208/230-3-60, L = 460-3-60, S = 575-3-60

<sup>1</sup>Above ratings are with matching size air-handling unit.



## COMMERCIAL SPLIT SYSTEMS HEAT PUMP UNITS R-410A, 6-20 TONS

### BUILT TO LAST, EASY TO INSTALL AND SERVICE

- single stage capacity on 072 and 121, single and 2 stage capacity 091, 2 stage / 2 circuit 180 -240
- All models utilize round copper tube, aluminum plate fin condenser coils (RTPF)
- Brass suction and liquid line service valves
- Fully hermetic scroll compressors with crankcase heater and suction line accumulators
- Compressors include overload protection and vibration isolation for further enhancement of quiet operation
- Comfort Alert™ Diagnostic Controller
  - LED Go-N-Go and fault code
  - Built in time guard anti-short cycle
  - Phase protection
  - Fault code retention logic
  - Low volt compressor contactor protector
- Full perimeter base rail with built-in rigging adapters and fork truck slots
- Pre-painted exterior panels and primer-coated interior panels tested to 500 hours salt spray protection
- Filter drier standard with each unit (shipped for field installation)
- Direct drive permanently lubricated condenser fan motors
- Newly designed terminal board facilitates simple safety circuit troubleshooting and simplified control box arrangement
- All units have high pressure and loss of charge protection
- Outdoor temperature cooling operation range up to 125°F (52°C) and down to 35°F (2°C)
- Models with optional low ambient control provide cooling operation down to -20°F (-29°C)
- UL and UL, Canada apply to standard units; 575-volt units UL, Canada only on 072 to 121 models
- High Capacity filter drier on each refrigerant circuit



CHS072-121



CHS240



Use of the AHRI Certified TM Mark indicates a manufacturer's participation in the program. For verification of certification for individual products, go to [www.ahridirectory.org](http://www.ahridirectory.org).



### WARRANTY

- 5 Year compressor limited warranty
- 1 Year parts limited warranty

### EXTENDED WARRANTY

- 5 Year extended parts warranty available

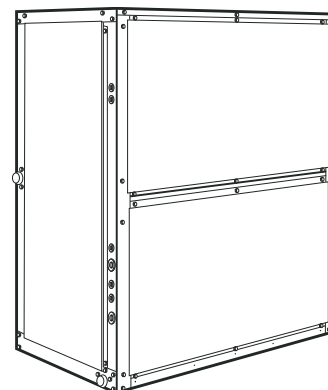
UNIT PERFORMANCE DATA <sup>1</sup> – Single Circuit							
Model Number	Cooling Circuits	COOLING			Total Power (KW)	Unit Dimensions H x W x L Inches [mm]	Ship Weight lb. / kg
		Nominal Capacity Ton	Net Capacity BTUH	EER			
CHS072*AA0A00A	1	6	70,000	11.0	6.4	42-3/8 x 59-3/8 x 45-7/8 [1077 x 1508 x 1164]	444 / 201
CHS091*AA0A00A	1	7.5	89,000	11.0	8.1	42-3/8 x 59-3/8 x 45-7/8 [1077 x 1508 x 1164]	483 / 219
CHS121*AA0A00A	1	10	112,000	11.0	10.2	50-3/8 x 59-3/8 x 45-7/8 [1279 x 1507 x 1164]	575 / 261
UNIT PERFORMANCE DATA <sup>1</sup> – Dual Circuit							
CHS180*DA0A00A	2	15	178,000	10.6	16.8	50-3/8 x 86-3/8 x 45-1/8 [1279 x 2193 x 1148]	768 / 348
CHS240*DA0A00A	2	20	222,000	10.7	20.8	50-3/8 x 86-3/8 x 67-1/8 [1279 x 2193 x 1704]	1015 / 460

\* – Indicates Unit voltage: H = 208/230-3-60, L = 460-3-60, S = 575-3-60  
<sup>1</sup> – Above ratings are with matching size air handling unit

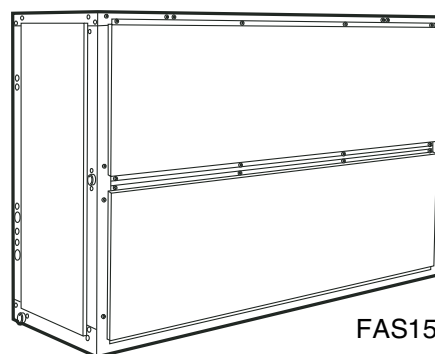
Specifications subject to change without notice.

## DIRECT EXPANSION COMMERCIAL PACKAGED AIR HANDLING UNITS, 6 - 30 TONS BUILT TO LAST, EASY TO INSTALL AND SERVICE

- Multi-position design for horizontal or vertical installation without modification
- Two sloped condensate pans on each unit for horizontal or vertical applications
- Standard sloped drain pans and cleanable insulation treated with Environmental Protection Agency (EPA) registered antimicrobial agent improves indoor air quality
- High-static design meets a wider range of applications than competitive packaged air handler lines
- Ultra low leak economizer accessory provides ventilation air and “free” cooling with built in Fault Detection and Diagnostic (FDD) capabilities
- Single refrigerant circuit on 072 and 091 sizes. Dual refrigerant circuit on 120-336 sizes  
Dual circuit can be field modified for use on single circuit condensers
- Cooling coils with mechanically bonded fins provide peak heat transfer
- Optional 2-speed indoor fan with VFD controller
- Standard factory-installed thermostatic expansion valve (TXV) with removable power element
- Easy maintenance - removal of single panel allows access to virtually all components
- Die-formed galvanized steel casings provide durability and structural integrity. Optional paint is available
- 24-volt terminal block for control wiring connection
- Hot water coil, steam coil, and electric heat accessories are available



FAS072-120



FAS150-336



Use of the AHRI Certified TM Mark indicates a manufacturer's participation in the program. For verification of certification for individual products, go to [www.ahridirectory.org](http://www.ahridirectory.org).



### WARRANTY

- 1 Year parts limited warranty

### EXTENDED WARRANTY

- 5 Year extended parts warranty available

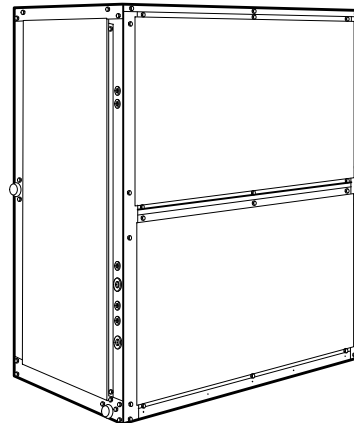
UNIT PERFORMANCE DATA				
UNIT	NOMINAL TONS	NUMBER OF CIRCUITS	UNIT DIMENSIONS H X W X L [MM]	UNIT WEIGHT LB. [KG]
FAS072*AAA0A0A	6	1	56 <sup>1</sup> / <sub>16</sub> -in. x 49-in. x 28 <sup>3</sup> / <sub>16</sub> -in. [1424 x 1244 x 714]	399 [181]
FAS091*AAA0A0A	7.5	1	56 <sup>1</sup> / <sub>16</sub> -in. x 49-in. x 28 <sup>3</sup> / <sub>16</sub> -in. [1424 x 1244 x 714]	404 [183]
FAS120*AAA0A0A	10	2	56 <sup>1</sup> / <sub>16</sub> -in. x 49-in. x 28 <sup>3</sup> / <sub>16</sub> -in. [1424 x 1244 x 714]	425 [193]
FAS150*AAA0A0A	12.5	2	56 <sup>1</sup> / <sub>16</sub> -in. x 89-in. x 28 <sup>3</sup> / <sub>16</sub> -in. [1424 x 2261 x 714]	695 [315]
FAS180*AAA0A0A	15	2	56 <sup>1</sup> / <sub>16</sub> -in. x 89-in. x 28 <sup>3</sup> / <sub>16</sub> -in. [1424 x 2261 x 714]	713 [323]
FAS240*AAA0A0A	20	2	56 <sup>1</sup> / <sub>16</sub> -in. x 89-in. x 28 <sup>3</sup> / <sub>16</sub> -in. [1424 x 2261 x 714]	730 [331]
FAS300*AAA0A0A	25	2	65 <sup>9</sup> / <sub>16</sub> -in. x 100 <sup>1</sup> / <sub>2</sub> -in. x 32 <sup>5</sup> / <sub>8</sub> -in. [1665 x 2553 x 829]	1050 [477]
FAS336*AAA0A0A	30	2	65 <sup>9</sup> / <sub>16</sub> -in. x 100 <sup>1</sup> / <sub>2</sub> -in. x 32 <sup>5</sup> / <sub>8</sub> -in. [1665 x 2553 x 829]	1062 [482]

\* Indicates Unit voltage: K = 208/230-1-60, H = 208/230-3-60, M = 208/230/460-3-60, L = 460-3-60, S = 575-3-60  
NOTE: BASE MODEL NUMBERS LISTED. SEE MODEL NOMENCLATURE LISTING FOR ADDITIONAL OPTIONS.

Specifications subject to change without notice.

## COMMERCIAL PACKAGED HEAT PUMP AIR HANDLER UNITS, 6 – 25 TONS BUILT TO LAST, EASY TO INSTALL AND SERVICE

- Multi-position design for horizontal or vertical installation without modification
- Two sloped condensate pans on each unit for horizontal or vertical applications
- Standard sloped drain pans and cleanable insulation treated with Environmental Protection Agency (EPA) registered antimicrobial agent improves indoor air quality
- High-static design meets a wide range of applications than competitive package air handler lines
- Economizer accessory provides ventilations air and “free” cooling
- Single refrigerant circuit on 072 and 091 sizes. Dual refrigerant circuit on 120 to 240 sizes. Dual circuit can be field modified for use on single circuit condensers
- Single blower on 072 to 120 sizes, dual blower on FHS180 & 240 sizes
- Optional 2–speed indoor fan with VFD controller 072 to 240 ton sizes
- High efficiency copper tube / aluminum coils
- Standard factory-installed thermo-static expansion valve (TXV) with removable power element
- Easy maintenance – removal of single panel allows access to virtually all components
- Die-formed galvanized steel casings provide durability and structural integrity. Optional paint is available
- 24-volt terminal block for control wiring connection.
- Hot water coil, steam coil, and electric heat accessories are available.



### WARRANTY

- 1 Year parts limited warranty

### EXTENDED WARRANTY

- 5 Year extended parts warranty available

UNIT PERFORMANCE DATA				
UNIT	Nominal Tons	Number of Circuits	Unit Dimensions H x W x L Inches [mm]	Unit Weight lb. [kg]
FHS072*AAA0A0A	6	1	56-1/16 x 49 x 28-3/16 [1424 x 1244 x 714]	381 [173]
FHS091*AAA0A0A	7 1/2	1	56-1/16 x 49 x 28-3/16 [1424 x 1244 x 714]	385 [175]
FHS120*AAA0A0A	10	2	56-1/16 x 49 x 28-3/16 [1424 x 1244 x 714]	427 [194]
FHS180*AAA0A0A	15	2	56-1/16 x 89 x 28-3/16 [1424 x 2261 x 714]	713 [323]
FHS240*AAA0A0A	20	2	56-1/16 x 89 x 283/16 [1424 x 2261 x 714]	720 [327]

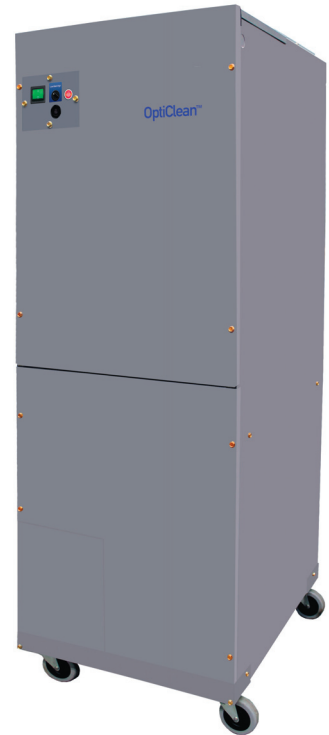
\* Indicates Unit voltage: K = 208/230–1–60, M = 208/230/460–3–60, H = 208/230–3–60, L = 460–3–60, S = 575–3–60

**NOTE: BASE MODEL NUMBERS LISTED. SEE MODEL NOMENCLATURE LISTING FOR ADDITIONAL OPTIONS**

# INDOOR AIR QUALITY

## OptiClean™ Negative Air Machine and Air Scrubber

The OptiClean™ negative air machine is a portable solution primarily designed to help convert normal hospital rooms into Airborne Infectious Isolation (AII) rooms. Designed to ASHRAE's Standard 170 for Ventilation of Health Care Facilities, the OptiClean™ uses highly efficient filters and a heavy duty, yet quiet, motor to remove contaminated air from the room. The resulting negative air pressure, or "vacuum effect," helps limit the spread of air-based contaminants into surrounding areas. If negative pressure is not required, such as in an open-air, temporary hospital, a business location or home, the machine can be used as an air "scrubber," pulling air in, removing many contaminants, and discharging cleaner air back into the room. The unit can be operated either vertically as shown, or horizontally.



### STANDARD FEATURES

- 99.97% efficient long-life HEPA filter removes particles as small as 0.3 microns
- Standard MERV 7 or higher pre-filter
- Minimum 200 CFM, Maximum 1500 CFM
- Meets or exceeds ASHRAE Standard 170: Ventilation of Health Care Facilities
- Vertical design for smaller footprint compared to many competitors, and can be mounted and operated horizontally when necessary
- Portable and adaptable to nearly any location
- Heavy duty locking casters for easy and smooth transport
- HEPA filter rack and sealing design meet air leakage requirement
- Red lighted indicator to alert user when filters are overloaded (generally means pre-filter requires replacement)
- Green ON/OFF switch illuminates to verify when running
- 3-second motor start delay
- 3-speed selector switch on 006 and 015 models for various air flow ranges
- 10-foot long power cord with strain relief
- 115V
- Galvanized steel, pre-painted cabinet is fully insulated
- Exhaust transition plate to standard 10-inch round (005/006 sizes) or 12-inch oval (015 size) duct included
- UL® Listed
- One-year limited warranty

Model	CFM (Nominal)	Height* inches (mm)	Width inches (mm)	Depth inches (mm)	Operating Weight lbs (kg)
FN1AAF006000	500	49-5/8 (1260.5)	17-5/8 (447.7)	22-1/6 (560.4)	125 (56.7)
FN1AAF015000	500/1000/1500	53-7/16 (1357.3)	21-1/8 (536.6)	22-1/6 (560.4)	150 (68.0)

\*Height without casters. Add 3-5/8" (92.1 mm) when casters installed.

**Accessory usage guides available by model family on HVACpartners or in the Technical Information section on [www.goicpcommercial.com](http://www.goicpcommercial.com)**