



# H8MPT

## Deluxe 80 2-Stage PSC Flexibility

- 40" high for more noise reduction and ease of installation.
- Factory shipped for natural gas, with LP Gas conversion kits available.
- Four position - upflow/downflow/horizontal installation.
- Category I venting.
- Three position inducer capability.
- Common venting with water heater.

### Service

- Self diagnostics.
- Entire blower assembly mounted on rails.

### Quality

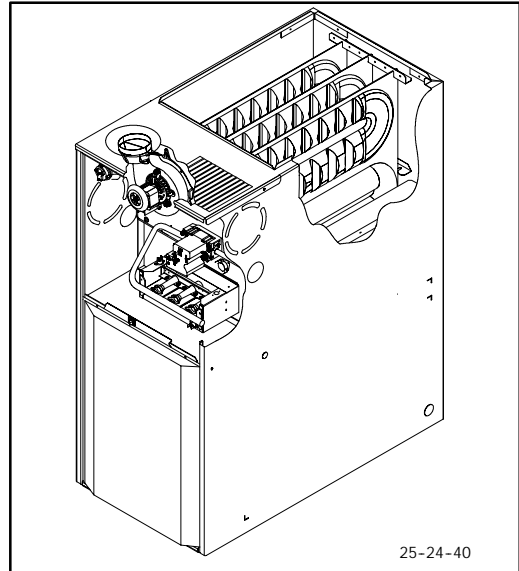
- RPJ III Aluminized steel heat exchanger.
- 25 year limited warranty on heat exchangers and 5 years on parts.
- High temperature limit control prevents overheating.
- Hot surface pilot ignition device.
- Flame roll-out sensors standard.
- Louvered doors.
- One piece prepainted steel cabinet.
- Masonry chimney adapter available. (Some models)

### Comfort

- Adjustable timed blower Off delay.
- Humidifier terminal
- Electronic air cleaner terminal.

### Efficiency

- 80% AFUE efficiency range.
- 2-stage gas valve operation.
- 2-stage fan timer.
- Multispeed, prelubricated PSC motors.
- Induced draft blower.
- In-shot burners.



Representative drawing only, some models may vary in appearance.

### WARNING

This furnace is not designed for use inside mobile homes, trailers, or recreational vehicles. Such use could result in property damage, bodily injury, and/or death.

### UPFLOW/DOWNFLOW/HORIZONTAL (NATURAL GAS)

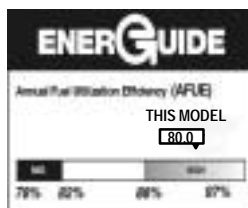
Model Number	Heat Exchangers #	Dimensions H x W x D (In.)	Price
H8MPT050B12A	25 year	40 x 15 <sup>1</sup> / <sub>2</sub> x 29	
H8MPT075F14A	25 year	40 x 19 <sup>1</sup> / <sub>8</sub> x 29	
H8MPT100F14A	25 year	40 x 19 <sup>1</sup> / <sub>8</sub> x 29	
H8MPT100J20A	25 year	40 x 22 <sup>3</sup> / <sub>4</sub> x 29	
H8MPT125J20A	25 year	40 x 22 <sup>3</sup> / <sub>4</sub> x 29	

# LIMITED 25 year WARRANTY

### PERFORMANCE DATA HEATING

Model Number	Input (MBTUH)	Efficiency AFUE	Cooling Cap. @ .5" W.C.
*8MPT050B12A	50,000	80%	1.5 - 3.0 TON
*8MPT075F14A	75,000	80%	2.0 - 3.5 TON
*8MPT100F14A	100,000	80%	3.0 - 4.0 TON
*8MPT100J20A	100,000	80%	3.5 - 5.0 TON
*8MPT125J20A	125,000	80%	3.5 - 5.0 TON

\* Denotes Brand



## FURNACE SPECIFICATIONSCE MULTI-POSITION

Model Number	NATURAL GAS	*8MPT050B12	*8MPT075F14	*8MPT100F14	*8MPT100J20	*8MPT125J20
INPUT (btuh)	Hi Fire	50,000	75,000	100,000	100,000	125,000
	Lo Fire	35,000	52,500	70,000	70,000	87,500
HTG. CAP. (btuh)	Hi Fire	40,000	60,000	81,000	81,000	101,000
	Lo Fire	28,000	42,000	57,000	61,000	71,000
AFUE % (ICS)		80.0%	80.0%	80.0%	80.0%	80.0%
CSE		73.0%	73.0%	73.0%	73.0%	73.0%
NOx (Ng/J)		<40	<40	<40	<40	<40
TEMP. RISE (deg. F)	Hi Fire	30 - 60	30 - 60	35 - 65	35 - 65	30 - 60
	Lo Fire	25 - 55	25 - 55	35 - 65	35 - 65	25 - 55
VOLTS/PH/HZ		115/60/1	115/60/1	115/60/1	115/60/1	115/60/1
MAX. UNIT AMPS.		5.3	9.2	9.2	12	12
TRANSFORMER (V.A.)		40	40	40	40	40
GAS PIPE SIZE (IN.)		1/2	1/2	1/2	1/2	1/2
CATEGORY I VENT SIZE		3"	4"	4"	4"	5"
COOLING CAP.		3.0 TON	3.5 TON	3.5 TON	5.0 TON	5.0 TON
FILTER SIZE (IN.) (1 required)		14 x 25 x 1	14 x 25 x 1	16 x 25 x 1 (2)	16 x 25 x 1 (2)	16 x 25 x 1 (2)
SHIPPING WEIGHT (LBS.)		133	150	176	174	178
DIMENSIONS (in.) HEIGHT		40	40	40	40	40
WIDTH X DEPTH		15 <sup>1</sup> / <sub>2</sub> x 28 <sup>1</sup> / <sub>2</sub>	19 <sup>1</sup> / <sub>8</sub> x 28 <sup>1</sup> / <sub>2</sub>	19 <sup>1</sup> / <sub>8</sub> x 28 <sup>1</sup> / <sub>2</sub>	22 <sup>3</sup> / <sub>4</sub> x 28 <sup>1</sup> / <sub>2</sub>	22 <sup>3</sup> / <sub>4</sub> x 28 <sup>1</sup> / <sub>2</sub>

## BLOWER PERFORMANCE MULTI-POSITION

Model Number	*8MPT050B12	*8MPT075F14	*8MPT100F14	*8MPT100J20	*8MPT125J20
BLOWER TYPE AND SIZE	11x8	11x8	11 x 10	11 x 10	11x10
MOTOR H.P. (TYPE)	<sup>1</sup> / <sub>2</sub> /PSC	<sup>1</sup> / <sub>2</sub> /PSC	<sup>1</sup> / <sub>2</sub> /PSC	<sup>3</sup> / <sub>4</sub> /PSC	<sup>3</sup> / <sub>4</sub> /PSC
MOTOR SPEEDS	3	4	4	4	4

## AIRFLOW DATA

.10 ESP IN. W.C.	LOW	675	691	742	802	839
	MEDIUM LOW	859	882	916	1088	1211
	MEDIUM HIGH	1015	1211	1287	1520	1584
	HIGH	1394	1633	1723	2128	2267
.30 ESP IN. W.C.	LOW	1032	591	625	785	829
	MEDIUM LOW	---	850	845	1087	1088
	MEDIUM	1183	---	---	---	---
	MEDIUM HIGH	---	1155	1195	1525	1559
	HIGH	1302	1544	1638	2089	2151
.50 ESP IN. W.C.	LOW	954	536	525	753	798
	MEDIUM LOW	---	785	747	1084	1111
	MEDIUM	1100	---	---	---	---
	MEDIUM HIGH	---	1089	1079	1517	1553
	HIGH	1195	1464	1515	2000	2049
.70 ESP IN. W.C.	LOW	875	433	440	693	734
	MEDIUM LOW	---	711	662	1017	1079
	MEDIUM	965	---	---	---	---
	MEDIUM HIGH	---	982	1006	1487	1505
	HIGH	1054	1307	1371	1830	1912
.90 ESP IN. W.C.	LOW	745	342	348	586	651
	MEDIUM LOW	---	586	553	931	1015
	MEDIUM	829	---	---	---	---
	MEDIUM HIGH	---	850	868	1320	1400
	HIGH	904	1120	1185	1673	1704
1.00 ESP IN. W.C.	LOW	660	308	297	539	595
	MEDIUM LOW	---	527	490	857	897
	MEDIUM	743	---	---	---	---
	MEDIUM HIGH	---	763	787	1258	1308
	HIGH	821	1041	1066	1575	1585

NOTE: Applications of N8MPN125 above 1650 CFM requires two side returns or use accessory stand-off filter kit for single return. To achieve 2000 CFM with the stand-off filter kit you will still need a bottom return or 2 side filters.

**ACCESSORIES**

Model Number	Description	Used With Models
<b>GAS CONVERSION KITS</b>		
*1011789	Natural gas to LP (propane) conversion Kit. Allows field conversion to LP (propane) gas.	ALL *8MPT FURNACES
*1011787	LP (Propane) to natural gas conversion kit. Allows field conversion to natural gas. (Single Stage)	ALL *8MPT FURNACES
<b>FILTER KITS</b>		
NAHA001FF	External filter frame. 16" x 25"	Side Return (All Furnaces) Bottom Return (All "F" 19 <sup>1</sup> / <sub>8</sub> " Furnaces under 1650 CFM)
NAHA002FF	Bottom return filter frame kit 20" x 25".	(All "J" 22 <sup>3</sup> / <sub>4</sub> " Furnaces)
NAHA003FF	Bottom or side return filter frame kit 14" x 25".	(All "B" 15 <sup>1</sup> / <sub>2</sub> " Furnaces)
NAHA004FF	Bottom return filter frame kit 25" x 25".	*8MPT125
NAHA001TK	Duct Standoff Filter Kit. To adapt 20" x 25" filter for single side return.	Side Return (All single return applications with 1650 CFM or greater) Bottom Return (All "F" 19 <sup>1</sup> / <sub>8</sub> " Furnaces under 1650 CFM)
<b>COMBUSTIBLE FLOOR SUBBASES</b>		
NAHH001SB	Subbase Furnace ONLY: All 15 <sup>1</sup> / <sub>2</sub> " wide furnace models	*8MPT050
NAHH002SB	Subbase Furnace ONLY: All 19 <sup>1</sup> / <sub>4</sub> " wide furnace models	*8MPT075-100
NAHH003SB	Subbase Furnace ONLY: All 22 <sup>3</sup> / <sub>4</sub> " wide furnace models	*8MPT100-125
NAHH004SB	Subbase Furnace w/15 <sup>1</sup> / <sub>2</sub> " cased coil	Counterflow furnace *8MPT050
NAHH005SB	Subbase Furnace w/19 <sup>1</sup> / <sub>4</sub> " cased coil	Counterflow furnace *8MPT075-100
NAHH006SB	Subbase Furnace w/22 <sup>3</sup> / <sub>4</sub> " cased coil	Counterflow furnace *8MPT100-125
<b>MASONRY CHIMNEY ADAPTER</b>		
NAHA001DH	Chimney adapter (6")	*8MPT075, 100
NAHA002DH	Chimney adapter (7")	*8MPT125
<b>VENT GUARD</b>		
NAHA002VC	Downflow vent guard	All downflow applications
<b>COIL ADAPTER</b>		
NAHA00CA	Coil Adapter for Downflow Furnaces	All Multi- Position Furnaces in the Downflow Application
<b>WARNING LABEL REPLACEMENT KIT</b>		
NAHL001WL	To replace Warning Labels, Operating Instructions & Wiring Labels on Blower Door when needed	*8MPT

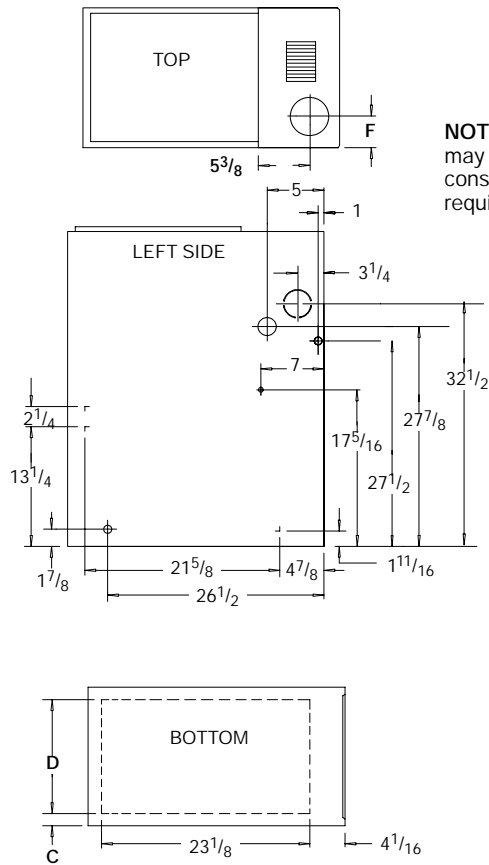
\* Fast part number

Application of \*8MPT100J20 & \*8MPT125J20 above 1650 CFM requires two side returns, bottom return or NAHA001TK 20" x 25" duct stand-off filter kit for single side return. Bottom return applications with the \*8MPT100J20 & \*8MPT125J20 require the 20" x 25" bottom return filter kit, NAHA002FF.

To achieve 2000 CFM with the stand-off filter kit you will still need a bottom return or 2 side filters.

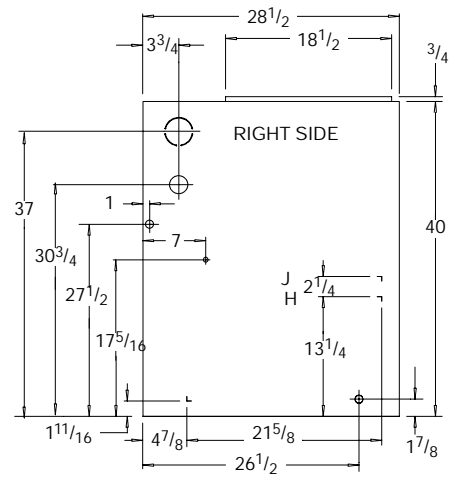
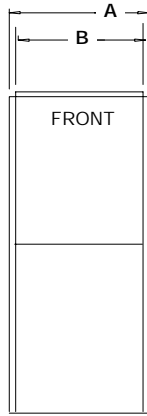
N/A Not Applicable.

# UNIT DIMENSIONS



**NOTE:** Evaporator "A" coil drain pan dimensions may vary from furnace duct opening size. Always consult evaporator specifications for duct size requirements.

Unit is designed for bottom return or side return.  
Return air through back of unit is NOT allowed.



25-23-44a

Unit Capacity	Cabinet		Top	Bottom		Duct Size
	A	B	F	C	D	
*8MPT050B12	15 1/2	14	6	1 3/8	12 5/8	H
*8MPT075F14 *8MPT100F14	19 1/8	17 1/2	7 3/4	2 1/8	14 3/4	J
*8MPT100J20 *8MPT125J20	22 3/4	21 1/4	9 1/2	1 5/16	18 3/4	J

\* Denotes Brand

## MODEL NUMBER IDENTIFICATION GUIDE

<p><b>Brand</b></p> <p><b>Brand Efficiency</b> 8 = Non-Condensing, 80+% Gas Furnace 9 = Condensing, 90+% Gas Furnace</p> <p><b>Installation Configuration</b> UP = Upflow                  DN = Downflow UH = Upflow/Horizontal      HZ = Horizontal DH = Downflow/Horizontal MP = Multiposition, Upflow/Downflow/Horizontal</p> <p><b>Major Design Feature</b> 1 = One (Single) Pipe          N = Single Stage 2 = Two Pipe                      P = PVC Vent D = 1 or 2 Pipe                  T = Two Stage L = Low NOX                      V = Variable Speed</p>	<b>8</b>	<b>MP</b>	<b>T</b>	<b>075</b>	<b>B</b>	<b>12</b>	<b>A</b>	<b>#</b>
								<p><b>Engineering Rev.</b> Denotes minor changes</p> <p><b>Marketing Digit</b> Denotes minor change</p> <p><b>Cooling Airflow</b> 08 = 800 CFM      16 = 1600 CFM 12 = 1200 CFM    20 = 2000 CFM 14 = 1400 CFM</p> <p><b>Cabinet Width</b> B = 15.5" Wide      J = 22.8" Wide F = 19.1" Wide      L = 24.5" Wide</p> <p style="text-align: center;"><b>Input (Nominal MBTUH)</b></p>

\* Denotes Brand