

Installation Instructions

DNLVHLGD004A00, DNLVHLGD011-16A00,
DNLVHLGD020-24A00

Louvered Hail Guard Accessory for Small Rooftop Units
3 to 12¹/₂ Tons

Package Gas Electric Heating, Electric Cooling and Heat Pump Units

IMPORTANT: Read these instructions completely before attempting to install the accessory louvered hail guard.

PACKAGE CONTENTS

QTY	CONTENTS
1	Outside coil side panel
1	Outside coil end panel
Varies (Based on kit)	Screws

SAFETY CONSIDERATIONS

Installation and servicing of air-conditioning equipment can be hazardous due to system pressure and electrical components. Only trained and qualified service personnel should install, repair, or service air-conditioning equipment.

Untrained personnel can perform basic maintenance functions of cleaning coils and filters and replacing filters. All other operations should be performed by trained service personnel. When working on air-conditioning

equipment, observe precautions in the literature, tags and labels attached to the unit, and other safety precautions that may apply.

Follow all safety codes. Wear safety glasses and work gloves.

Recognize safety information. This is the safety-alert symbol \triangle . When you see this symbol on the unit and in instructions or manuals, be alert to the potential for personal injury.

Understand the signal words DANGER, WARNING, and CAUTION. These words are used with the safety-alert symbol. DANGER identifies the most serious hazards which **will** result in severe personal injury or death. WARNING signifies a hazard which **could** result in personal injury or death. CAUTION is used to identify unsafe practices which **may** result in minor personal injury or product and property damage. NOTE is used to highlight suggestions which **will** result in enhanced installation, reliability, or operation.

PACKAGE USAGE

Hail Guard	Coil Type	Rooftop Unit Model					
		RAS	RGS	RHS	RAH	RGH	RHH
DNLVHLGD004A00	RTPF	-	-	090, 102, 120	-	-	-
DNLVHLGD011A00	RTPF	036	036	036	-	-	-
DNLVHLGD012A00	RTPF	048, 060	048, 060	048	036	036	036
DNLVHLGD013A00	RTPF	072	072	072	048, 060	048, 060	048, 060
DNLVHLGD014A00	RTPF	090, 091	090, 091	-	072	072	072
DNLVHLGD015A00	RTPF	101	101	-	-	-	-
DNLVHLGD016A00	RTPF	102, 120, 121, 150	102, 120, 121, 150	-	090, 102, 120	090, 102, 120	090, 102
DNLVHLGD020A00	MCHX	090	090	-	-	-	-
DNLVHLGD021A00	MCHX	120	120	-	-	-	-
DNLVHLGD022A00	MCHX	150	150	-	-	-	-
DNLVHLGD023A00	RTPF	-	-	060	-	-	-
DNLVHLGD024A00	RTPF	-	-	150	-	-	-

WARNING

ELECTRICAL OPERATION HAZARD

Failure to follow this warning could result in personal injury or death.

Before performing service and maintenance operations on unit, turn off main power switch to unit. If gas unit, shut off gas supply before shutting off main power.

TAG DISCONNECT SWITCH WITH A SUITABLE LOCK AND WARNING LABEL.

GENERAL

Louvered hail guard packages are designed to protect the rooftop unit condenser coil from hail and general contact damage. Excessive damage to rooftop unit outdoor coils can result in diminished performance due to reduced air flow over the heat transfer surfaces.

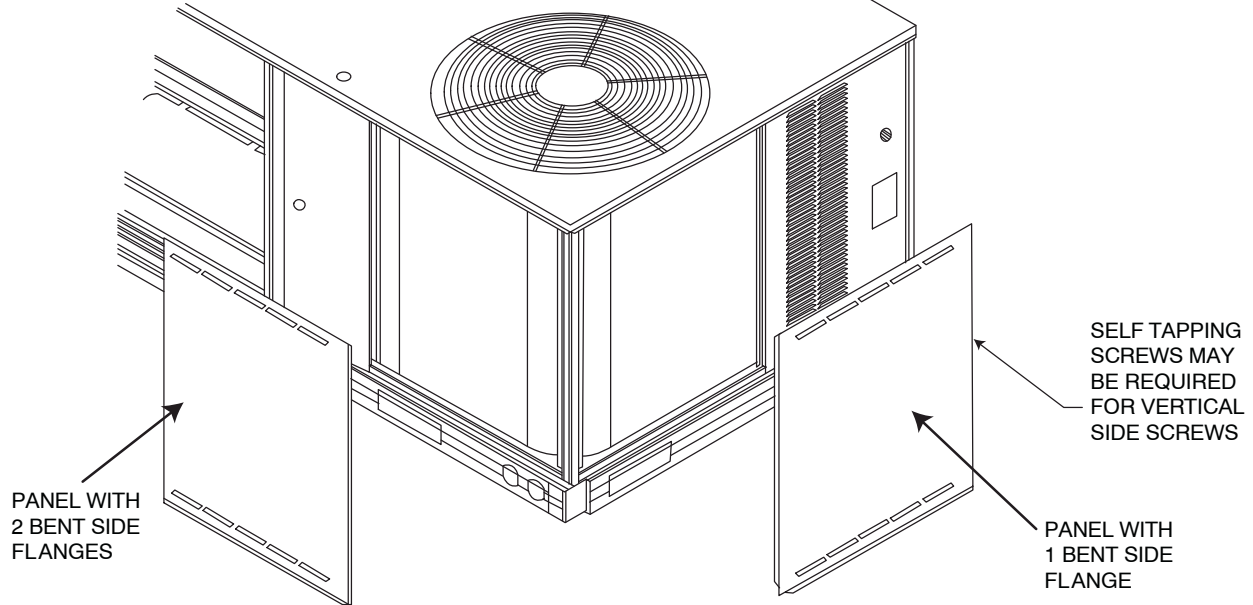
INSTALLATION

1. Verify the correct hail guard part number is provided for the desired rooftop unit size. See Package Usage Section.
2. Remove the screws in the top panel of the rooftop unit above the condenser coil. Save the screws.

3. Remove the screws at the base of the outdoor coil where the hail guard panel will be installed. Save the screws.
4. Align the hail guard panel with the respective section of the outdoor coil and insert the top edge of the panel under the lip of the top panel. (See Figure 1)

5. Re-insert top and bottom screws from Step 3 and 4 to hold the hail guard in place.
6. Insert side screws from the kit through the holes in the side(s) of the hail guard panels. The provided self tapping screws may be required for these screws.

Figure 1 Typical Louvered Hail Guard Installation



NOTE: DNLVHLGD011A00 and DNLVHLGD023A00 only requires one louvered panel

3-5 Ton Unit Shown

C08491