



PAF3

Product Specifications

13 SEER PACKAGE AIR CONDITIONER UNIT (Single Phase) 23 to 53 MBtuh

REFRIGERATION CIRCUIT

- All models are equipped with high efficiency Copeland scroll compressor, 4 & 5 ton have two stage scroll compressors.
- Thermostat Expansion Valve (TXV) controls refrigerant flow.
- High Efficiency indoor motors on all models.
- Factory charged with R-22 refrigerant.



BUILT TO LAST

- Galvanized-painted cabinet. One piece weather resistant top. Access panels for easy service. Side by side supply and return. Heavy gauge base rails.
- Triple-coated steel, consisting of a polyester top coat, a urethane primer coat preceded by an oxide pretreatment.
- Integral base rails with fork-lift access. Holes provided for lifting lugs makes rooftop installation easier.
- The condenser coil has a sturdy wire inlet grille and UV rated vinyl mesh installed on the surface of the coil for additional protection.
- Drawn fan orifice and swept fan blades on most models for quieter operation.



EASY TO INSTALL AND SERVICE

- Combination electric cooling and heat, self contained for year-round comfort. Systems installed on rooftop or ground level. The unit is shipped in the horizontal position and can easily be converted to downflow.
- Externally-mounted gauge ports allow for more accurate reading of operating conditions while servicing.
- Electrical controls located behind one exterior panel for easier maintenance.

ELECTRIC HEAT

- 5 to 20 kw.

WARRANTY

- 5 year compressor limited warranty
- 5 year parts limited warranty

UNIT PERFORMANCE DATA (1 Phase - 60 Hz)

Model Number	COOLING		Voltage-Phase-Hz	Unit Dimensions H x W x L	Ship Weight
	Rated Capacity BTUH	S.E.E.R			
PAF324000K00A	23,000	13.0	208/230-1-60	29-1/2 X 47-1/2 X 47-1/2	276
PAF330000K00A	28,600	13.0	208/230-1-60	37-1/2 X 47-1/2 X 47-1/2	299
PAF336000K00A	35,000	13.0	208/230-1-60	37-1/2 X 47-1/2 X 47-1/2	310
PAF342000K00A	40,000	13.0	208/230-1-60	37-1/2 X 47-1/2 X 47-1/2	327
PAF348000K00A	44,500	13.0	208/230-1-60	37-1/2 X 47-1/2 X 47-1/2	377
PAF354000K00A	53,000	13.0	208/230-1-60	37-1/2 X 47-1/2 X 47-1/2	386

519 56 1401 06

6/19/07

UNIT SPECIFICATIONS

MODEL NUMBER	Electrical Data			Condenser Data									Sound Ratings (db)
				Coil			Fan Motor			Fan			
	208 / 230 Voltage Phase - Hz	HACR Brkr Max Fuse	Minimum Circuit Ampacity	Total Face Area (Sq. Ft.)	Fins Per In. / Rows	Tube Diameter (In.)	HP	Full Load Amps	Locked Rotor Amps	Size Diameter (In.)	RPM (Max.)	CFM (Design)	
PAF324000K00A	1-60	25 amps.	18.6	11.19	18 / 2	3/8	1/8	0.9	1.6	20	825	2100	72
PAF330000K00A	1-60	30 amps.	21.8	13.5	18 / 2	3/8	1/8	0.9	1.6	20	825	2100	74
PAF336000K00A	1-60	40 amps.	27.4	14.6	18 / 2	3/8	1/4	1.4	3.7	20	1100	2700	76
PAF342000K00A	1-60	40 amps.	28.1	14.6	18 / 2	3/8	1/4	1.4	3.7	20	1100	2700	78
PAF348000K00A	1-60	50 amps.	35.9	13.5	18 / 2	3/8	1/4	1.4	3.7	20	1100	3000	78
PAF354000K00A	1-60	60 amps.	38.3	14.6	18 / 2	3/8	1/2	3	6.7	20	1100	3400	80

MODEL NUMBER	Evaporator Coil									Scroll Compressor		Factory Refrigerant Charge R-22 (lbs.)	Ship Weight (Lbs./kg)
	Coil			Motor			Blower			Rated Load Amps	Locked Rotor Amps		
	Total Face Area (Sq. Ft.)	Fins Per In. / Rows	Tube Diam. (In.)	Horse Power	Full Load Amps	No. of Speed Taps	Size	RPM (Max)	CFM Rated				
PAF324000K00A	4.00	14 / 3	3/8	1/2	4.1	4	10 x 8	1050	800	10.9	54.0	7.8	276 / 126
PAF330000K00A	5.33	14 / 3	3/8	1/2	4.1	4	10 x 8	1050	1000	13.5	72.5	9.8	299 / 136
PAF336000K00A	5.33	14 / 3	3/8	3/4	6.0	4	11 x 9	1050	1200	16.0	88.0	11.0	310 / 141
PAF342000K00A	5.33	14 / 4	3/8	3/4	6.0	4	11 x 9	1050	1400	16.5	95.0	11.8	327 / 149
PAF348000K00A	5.33	14 / 4	3/8	1.0	7.7	4	11 x 10	1050	1600	21.5	116.0	13.0	377 / 172
PAF354000K00A	5.33	14 / 4	3/8	1.0	7.7	4	11 x 10	1050	2000	22.1	118.0	13.3	386 / 176

PERFORMANCE DATA: COOLING

MODEL NUMBER	Rated Capacity ¹ BTUH	S / T Ratio	S.E.E.R.	E.E.R.	Power Input Watts	Evaporator Rated Airflow (SCFM)	Ext. Static ² Pressure Drop Wet
PAF324000K00A	23,000	.76	13.0	11.0	2090	800	0.18
PAF330000K00A	28,600	.76	13.0	11.0	2600	1000	0.23
PAF336000K00A	35,000	.78	13.0	11.0	3182	1200	0.23
PAF342000K00A	40,000	.76	13.0	11.0	3636	1400	0.28
PAF348000K00A	44,500	.76	13.0	10.2	4363	1600	0.28
PAF354000K00A	53,000	.75	13.0	9.8	5510	1875	0.28

¹ Rated Capacity @ ARI standard conditions, 95° Amb, 80° DB/67° WB, 230 Volts. For applications at 208 volts deduct 1000 BTU.

² Includes a .08 drop for a filter

BLOWER PERFORMANCE DATA

Model Number	PAF324000K00A*				PAF330000K00A*				PAF336000K00A*				PAF342000K00A*				PAF348000K00A*				PAF354000K00A*				
Speed Tap	1	2	3	4	1	2	3	4	1	2	3	4	1	2	3	4	1	2	3	4	1	2	3	4	
Air Delivery in CFM @ Varying External Static Pressure (in. w.c.)	0.1	891	-	1136	-	986	1076	1286	1352	1162	1278	1529	1652	1138	1240	1505	1643	1154	1245	1750	1908	1348	1449	1998	2173
	0.2	845	-	1098	-	949	1038	1225	1311	1118	1233	1484	1607	1087	1189	1467	1609	1084	1170	1696	1864	1274	1372	1943	2113
	0.3	804	-	1056	-	908	997	1186	1274	1062	1191	1440	1574	1041	1145	1431	1577	1005	1110	1643	1819	1218	1318	1895	2067
	0.4	758	-	1020	-	856	973	1158	1233	1014	1149	1402	1541	989	1104	1398	1541	940	1034	1592	1770	1151	1258	1850	2032
	0.5	707	-	980	-	819	913	1129	1203	958	1108	1364	1501	940	1063	1363	1509	880	972	1547	1720	1085	1195	1800	2003
	0.6	649	-	920	-	781	875	1085	1162	892	1060	1326	1462	865	1010	1324	1476	832	924	1497	1678	1032	1130	1750	1962
	0.7	582	-	875	-	717	840	1044	1119	826	1005	1284	1426	806	952	1283	1439	780	875	1443	1632	989	1086	1705	1904
	0.8	509	-	859	-	664	786	1004	1066	780	943	1238	1384	752	891	1234	1402	713	836	1400	1586	954	1048	1659	1822
	0.9	-	-	818	-	612	717	948	989	735	892	1179	1338	694	828	1175	1352	663	773	1354	1538	904	1000	1602	1727
	1	-	-	-	-	554	659	755	774	675	844	1123	1277	646	773	1120	1264	613	720	1302	1494	851	946	1530	1603

Notes: Air Delivery @ listed external static pressure are taken at 230Volts with Dry coil, no filter and approved heater.

For wet coil add .05 in. w.c. to Static Pressure measurement. Note for 208 Volts applications, reduce airflow by 15%.

EXPANDED PERFORMANCE DATA: PAF324000K00A

OD Ambient (°F)	ID Airflow (SCFM)	700					800					900				
		Entering Indoor Temperature - Degrees F, Wet Bulb														
		57	62	63 ^{††}	67	72	57	62	63 ^{††}	67	72	57	62	63 ^{††}	67	72
75	MBh [†]	22.1	23.0	23.5	25.2	26.5	23.3	23.8	24.1	25.5	26.6	24.3	24.3	24.4	25.8	27.4
	S/T	1.00	0.91	0.73	0.70	0.52	1.00	0.96	0.76	0.73	0.53	1.00	0.99	0.80	0.77	0.53
	kW*	1.7	1.7	1.7	1.7	1.7	1.8	1.8	1.8	1.8	1.8	1.8	1.8	1.8	1.9	1.9
85	MBh [†]	21.3	22.0	22.5	24.5	26.3	22.5	22.7	23.1	25.1	26.4	23.5	23.5	23.7	25.5	27.1
	S/T	1.00	0.93	0.74	0.71	0.52	1.00	0.98	0.77	0.74	0.55	1.00	0.99	0.81	0.78	0.56
	kW*	1.9	1.9	1.9	1.9	1.9	2.0	2.0	2.0	2.0	2.0	2.0	2.0	2.0	2.0	2.1
95	MBh [†]	20.5	20.9	21.4	22.9	26.0	21.6	21.6	22.0	23.0	26.1	22.6	22.6	22.5	24.5	26.8
	S/T	1.01	0.96	0.75	0.72	0.52	1.00	0.99	0.79	0.76	0.55	1.00	1.00	0.83	0.80	0.56
	kW*	2.1	2.1	2.1	2.1	2.1	2.2	2.2	2.2	2.2	2.2	2.2	2.2	2.2	2.3	2.3
105	MBh [†]	19.6	19.8	20.2	22.1	24.9	20.7	20.7	20.8	22.7	25.5	21.6	21.6	21.2	23.2	26.0
	S/T	1.00	0.99	0.77	0.74	0.53	1.00	0.99	0.81	0.78	0.55	1.00	1.00	0.85	0.82	0.57
	kW*	2.3	2.3	2.3	2.3	2.4	2.4	2.4	2.4	2.4	2.4	2.5	2.5	2.5	2.5	2.5
115	MBh [†]	18.6	18.7	19.0	20.9	23.6	19.6	19.7	19.5	21.4	24.2	20.5	20.5	19.9	21.9	24.6
	S/T	1.00	1.00	0.79	0.76	0.54	1.00	0.99	0.84	0.80	0.56	1.00	0.99	0.88	0.85	0.58
	kW*	2.5	2.5	2.5	2.6	2.6	2.6	2.6	2.6	2.6	2.7	2.7	2.7	2.7	2.7	2.8
125	MBh [†]	17.5	17.6	17.6	19.4	22.1	18.5	18.6	18.0	20.0	22.7	19.4	19.4	18.4	20.4	23.1
	S/T	1.00	0.99	0.82	0.79	0.55	1.00	1.00	0.87	0.83	0.57	1.00	1.00	0.91	0.88	0.60
	kW*	2.8	2.8	2.8	2.8	2.9	2.9	2.9	2.9	2.9	2.9	3.0	3.0	3.0	3.0	3.0

EXPANDED PERFORMANCE DATA: PAF330000K00A

OD Ambient (°F)	ID Airflow (SCFM)	875					1000					1125				
		Entering Indoor Temperature - Degrees F, Wet Bulb														
		57	62	63 ^{††}	67	72	57	62	63 ^{††}	67	72	57	62	63 ^{††}	67	72
75	MBh [†]	27.0	28.2	28.9	30.7	32.0	28.7	29.1	29.5	31.1	32.9	29.9	29.9	29.9	31.3	33.1
	S/T	0.99	0.91	0.72	0.70	0.50	0.99	0.96	0.75	0.74	0.49	0.99	0.99	0.79	0.78	0.49
	kW*	2.1	2.1	2.1	2.1	2.1	2.2	2.2	2.2	2.2	2.2	2.3	2.3	2.3	2.3	2.3
85	MBh [†]	25.7	26.4	27.1	30.0	32.4	27.3	27.4	28.0	30.7	32.7	28.7	28.8	28.8	31.2	32.9
	S/T	0.99	0.94	0.74	0.70	0.52	0.99	0.99	0.77	0.74	0.54	0.99	0.99	0.81	0.78	0.56
	kW*	2.3	2.3	2.3	2.3	2.3	2.4	2.4	2.4	2.4	2.4	2.5	2.5	2.5	2.5	2.5
95	MBh [†]	24.5	24.8	25.4	28.1	31.7	25.9	26.0	26.2	28.6	32.3	27.2	27.3	26.9	29.7	32.6
	S/T	0.99	0.97	0.76	0.72	0.52	0.99	0.99	0.79	0.76	0.54	0.99	0.99	0.83	0.80	0.56
	kW*	2.5	2.5	2.5	2.6	2.6	2.6	2.6	2.6	2.6	2.6	2.7	2.7	2.7	2.7	2.7
105	MBh [†]	23.2	23.3	23.7	26.3	30.0	24.6	24.7	24.5	27.1	30.9	25.8	25.8	25.0	27.7	31.6
	S/T	0.99	0.99	0.78	0.75	0.53	0.99	0.99	0.82	0.79	0.55	0.99	0.99	0.86	0.83	0.57
	kW*	2.8	2.8	2.8	2.8	2.8	2.8	2.8	2.8	2.9	2.9	2.9	2.9	2.9	3.0	3.0
115	MBh [†]	21.8	21.9	21.9	24.4	28.0	23.2	23.3	22.6	25.1	28.9	24.3	24.4	23.1	25.7	29.5
	S/T	0.99	0.99	0.81	0.77	0.54	0.99	0.99	0.85	0.82	0.56	0.99	0.99	0.90	0.86	0.59
	kW*	3.0	3.0	3.0	3.1	3.1	3.1	3.1	3.1	3.1	3.2	3.2	3.2	3.2	3.2	3.3
125	MBh [†]	20.3	20.4	19.8	22.5	26.0	21.6	21.7	20.4	23.2	26.7	22.8	22.8	20.9	23.7	27.3
	S/T	0.99	0.99	0.85	0.80	0.55	0.99	0.99	0.90	0.85	0.58	0.99	0.99	0.95	0.90	0.61
	kW*	3.3	3.3	3.3	3.3	3.4	3.4	3.4	3.4	3.4	3.4	3.5	3.5	3.5	3.5	3.6

Notes: When the required data fall between the published data, interpolation may be performed. Extrapolation is not an acceptable practice.

† Total capacities are net capacities. Blower heat has been subtracted

†† At TVA rating indoor condition (75 F db/ 63 F wb), All other indoor air temperatures are at 80 F db

* System kW is total unit kW

Key: Standard Rating

S/T are based on 80°F db entering air at the indoor coil. For sensible capacities at other than 80°F db, deduct 835 Btuh per 1000 cfm of indoor coil air from MBh[†]S/T for each degree below 80°F, or add 835 Btuh per 1000 cfm of indoor coil air from MBh[†]S/T for each degree above 80°F.

EXPANDED PERFORMANCE DATA: PAF336000K00A

OD Ambient (°F)	ID Airflow (SCFM)	1050					1200					1350				
		Entering Indoor Temperature - Degrees F, Wet Bulb														
		57	62	63††	67	72	57	62	63††	67	72	57	62	63††	67	72
75	MBh†	32.9	34.1	34.8	37.6	40.5	36.3	36.3	36.7	38.9	41.2	37.4	37.4	37.4	39.2	41.3
	S/T	0.97	0.89	0.84	0.68	0.50	0.97	0.97	0.94	0.75	0.53	0.97	0.97	0.97	0.78	0.55
	kW*	2.4	2.4	2.4	2.4	2.4	2.5	2.5	2.5	2.5	2.6	2.5	2.5	2.6	2.6	2.6
85	MBh†	31.8	32.7	33.3	36.1	39.8	35.0	35.0	35.1	37.7	40.9	36.1	36.2	36.2	38.1	41.1
	S/T	0.97	0.90	0.86	0.69	0.51	0.97	0.97	0.96	0.77	0.54	0.97	0.97	0.97	0.80	0.56
	kW*	2.6	2.6	2.7	2.7	2.7	2.8	2.8	2.8	2.8	2.8	2.8	2.8	2.8	2.9	2.9
95	MBh†	30.7	31.2	31.8	34.5	38.4	33.6	33.6	33.6	35.0	39.7	34.7	34.7	34.7	36.4	40.0
	S/T	0.97	0.93	0.88	0.70	0.51	0.97	0.97	0.97	0.78	0.55	0.97	0.97	0.97	0.82	0.57
	kW*	2.9	2.9	2.9	3.0	3.0	3.0	3.0	3.0	3.1	3.1	3.1	3.1	3.1	3.2	3.2
105	MBh†	29.4	29.7	30.2	32.8	36.7	32.2	32.3	32.3	34.2	38.0	33.2	33.3	33.3	34.6	38.3
	S/T	0.97	0.95	0.90	0.72	0.52	0.97	0.97	0.97	0.81	0.56	0.97	0.97	0.97	0.85	0.59
	kW*	3.2	3.2	3.2	3.3	3.3	3.3	3.4	3.4	3.4	3.5	3.4	3.4	3.4	3.5	3.5
115	MBh†	28.1	28.1	28.5	31.0	34.8	30.7	30.7	30.8	32.2	36.1	31.7	31.7	31.7	32.6	36.4
	S/T	0.97	0.97	0.93	0.74	0.53	0.97	0.97	0.97	0.83	0.58	0.97	0.97	0.97	0.87	0.60
	kW*	3.5	3.5	3.6	3.6	3.7	3.7	3.7	3.7	3.8	3.8	3.8	3.8	3.8	3.8	3.9
125	MBh†	26.6	26.6	26.7	29.1	32.7	29.1	29.1	29.1	30.2	33.9	30.0	30.0	30.0	30.5	34.2
	S/T	0.97	0.97	0.96	0.76	0.54	0.97	0.97	0.97	0.86	0.59	0.97	0.97	0.97	0.91	0.62
	kW*	3.9	3.9	3.9	4.0	4.0	4.0	4.0	4.0	4.1	4.2	4.1	4.1	4.1	4.2	4.3

EXPANDED PERFORMANCE DATA: PAF342000K00A

OD Ambient (°F)	ID Airflow (SCFM)	1225					1400					1575				
		Entering Indoor Temperature - Degrees F, Wet Bulb														
		57	62	63††	67	72	57	62	63††	67	72	57	62	63††	67	72
75	MBh†	38.0	38.8	39.4	42.6	47.0	39.7	39.8	40.3	43.3	47.8	41.0	41.1	41.1	43.9	48.4
	S/T	0.96	0.91	0.86	0.69	0.51	0.96	0.96	0.91	0.73	0.52	0.96	0.96	0.96	0.76	0.54
	kW*	2.8	2.8	2.8	2.9	2.9	2.8	2.9	2.9	2.9	3.0	2.9	2.9	3.0	3.0	3.1
85	MBh†	36.9	37.3	38.0	41.0	45.3	38.4	38.5	38.8	41.7	46.0	39.7	39.8	39.8	42.2	46.5
	S/T	0.96	0.93	0.88	0.71	0.51	0.96	0.96	0.93	0.74	0.53	0.96	0.96	0.96	0.78	0.55
	kW*	3.1	3.1	3.1	3.2	3.2	3.2	3.2	3.2	3.3	3.3	3.2	3.2	3.3	3.4	3.4
95	MBh†	35.7	35.9	36.5	39.3	43.5	37.1	37.2	37.3	40.0	44.2	38.3	38.4	38.4	40.4	44.6
	S/T	0.96	0.95	0.90	0.72	0.52	0.96	0.96	0.95	0.76	0.54	0.96	0.96	0.96	0.80	0.56
	kW*	3.4	3.5	3.5	3.5	3.6	3.5	3.5	3.5	3.6	3.7	3.6	3.6	3.6	3.7	3.8
105	MBh†	34.4	34.4	34.9	37.6	41.7	35.8	35.8	35.9	38.2	42.3	36.9	37.0	37.0	38.6	42.6
	S/T	0.96	0.96	0.92	0.73	0.53	0.96	0.96	0.96	0.77	0.55	0.96	0.96	0.96	0.82	0.57
	kW*	3.8	3.8	3.9	3.9	4.0	3.9	3.9	3.9	4.0	4.1	4.0	4.0	4.0	4.1	4.2
115	MBh†	33.1	33.1	33.3	35.9	39.7	34.4	34.4	34.4	36.4	40.3	35.4	35.5	35.5	36.7	40.6
	S/T	0.96	0.96	0.94	0.75	0.53	0.96	0.96	0.96	0.79	0.56	0.96	0.96	0.96	0.84	0.58
	kW*	4.2	4.3	4.3	4.3	4.4	4.3	4.3	4.3	4.4	4.5	4.4	4.4	4.4	4.5	4.6
125	MBh†	31.7	31.7	31.7	34.0	37.7	32.9	32.9	32.9	34.5	38.2	33.9	33.9	33.9	34.8	38.4
	S/T	0.96	0.96	0.96	0.77	0.54	0.96	0.96	0.96	0.82	0.57	0.96	0.96	0.96	0.86	0.59
	kW*	4.7	4.7	4.7	4.8	4.9	4.8	4.8	4.8	4.9	5.0	4.9	4.9	4.9	5.0	5.1

Notes: When the required data fall between the published data, interpolation may be performed. Extrapolation is not an acceptable practice.

† Total capacities are net capacities. Blower heat has been subtracted

†† At TVA rating indoor condition (75 F db/ 63 F wb), All other indoor air temperatures are at 80 F db

* System kW is total unit kW

Key: Standard Rating

S/T are based on 80°F db entering air at the indoor coil. For sensible capacities at other than 80°F db, deduct 835 Btuh per 1000 cfm of indoor coil air from MBhS/T for each degree below 80°F, or add 835 Btuh per 1000 cfm of indoor coil air from MBhS/T for each degree above 80°F.

EXPANDED PERFORMANCE DATA: PAF348000K00A (High Capacity)

OD Ambient (°F)	ID Airflow (SCFM)	1400					1600					1800				
		Entering Indoor Temperature - Degrees F, Wet Bulb														
		57	62	63 ^{††}	67	72	57	62	63 ^{††}	67	72	57	62	63 ^{††}	67	72
75	MBh [†]	42.4	43.6	44.3	47.7	52.3	44.4	44.8	45.3	48.7	53.4	46.0	46.0	46.1	49.5	54.3
	S/T	0.98	0.91	0.72	0.70	0.51	0.98	0.95	0.76	0.73	0.53	0.98	0.98	0.79	0.77	0.55
	kW*	3.6	3.6	3.6	3.6	3.6	3.7	3.7	3.7	3.7	3.7	3.8	3.8	3.8	3.8	3.8
85	MBh [†]	41.2	42.0	42.6	45.9	50.5	43.0	43.2	43.6	46.9	51.5	44.5	44.6	44.4	47.7	52.3
	S/T	0.98	0.92	0.73	0.71	0.52	0.98	0.97	0.77	0.75	0.54	0.98	0.98	0.80	0.78	0.56
	kW*	3.9	3.9	3.9	4.0	4.0	4.0	4.0	4.0	4.0	4.1	4.1	4.1	4.1	4.1	4.2
95	MBh [†]	39.8	40.4	40.9	44.1	48.5	41.6	41.6	41.8	44.5	49.4	43.0	43.1	42.5	45.7	50.2
	S/T	0.98	0.94	0.75	0.72	0.52	0.98	0.98	0.78	0.76	0.54	0.98	0.98	0.82	0.80	0.57
	kW*	4.3	4.3	4.3	4.3	4.4	4.4	4.4	4.4	4.4	4.4	4.5	4.5	4.5	4.5	4.5
105	MBh [†]	38.4	38.7	39.1	42.2	46.4	40.1	40.1	40.0	43.0	47.3	41.4	41.5	40.6	43.7	48.0
	S/T	0.98	0.96	0.76	0.74	0.53	0.98	0.98	0.80	0.78	0.55	0.98	0.98	0.84	0.82	0.58
	kW*	4.7	4.7	4.7	4.7	4.8	4.8	4.8	4.8	4.8	4.9	4.9	4.9	4.9	4.9	4.9
115	MBh [†]	36.9	37.0	37.3	40.2	44.3	38.5	38.5	38.1	41.0	45.1	39.8	39.8	38.7	41.6	45.7
	S/T	0.98	0.98	0.78	0.75	0.54	0.98	0.98	0.82	0.80	0.56	0.98	0.98	0.86	0.84	0.59
	kW*	5.2	5.2	5.2	5.2	5.2	5.2	5.2	5.2	5.3	5.3	5.3	5.3	5.3	5.4	5.4
125	MBh [†]	-	-	-	-	-	-	-	-	-	-	-	-	-	-	-
	S/T	-	-	-	-	-	-	-	-	-	-	-	-	-	-	-
	kW*	-	-	-	-	-	-	-	-	-	-	-	-	-	-	-

EXPANDED PERFORMANCE DATA: PAF348000K00A (Low Capacity)

OD Ambient (°F)	ID Airflow (SCFM)	950					1100					1250				
		Entering Indoor Temperature - Degrees F, Wet Bulb														
		57	62	63 ^{††}	67	72	57	62	63 ^{††}	67	72	57	62	63 ^{††}	67	72
75	MBh [†]	29.4	30.3	30.8	33.1	36.3	30.9	31.1	31.5	33.9	37.1	32.1	32.2	32.2	34.5	37.7
	S/T	0.98	0.90	0.72	0.70	0.51	0.98	0.96	0.76	0.73	0.53	0.98	0.98	0.80	0.77	0.55
	kW*	2.1	2.1	2.1	2.2	2.2	2.2	2.2	2.2	2.2	2.3	2.3	2.3	2.3	2.3	2.4
85	MBh [†]	28.6	29.3	29.8	32.0	35.1	30.0	30.2	30.5	32.7	35.8	31.2	31.3	31.0	33.3	36.4
	S/T	0.98	0.92	0.73	0.71	0.52	0.98	0.97	0.77	0.75	0.54	0.98	0.98	0.81	0.79	0.56
	kW*	2.4	2.4	2.4	2.5	2.5	2.5	2.5	2.5	2.5	2.6	2.6	2.6	2.6	2.6	2.7
95	MBh [†]	27.8	28.2	28.7	30.8	33.8	29.1	29.2	29.4	31.5	34.5	30.2	30.3	29.9	32.0	35.1
	S/T	0.98	0.94	0.74	0.72	0.52	0.98	0.98	0.78	0.76	0.55	0.98	0.98	0.82	0.80	0.57
	kW*	2.8	2.8	2.8	2.8	2.8	2.8	2.8	2.8	2.9	2.9	2.9	2.9	2.9	3.0	3.0
105	MBh [†]	26.9	27.1	27.5	29.6	32.5	28.2	28.2	28.2	30.2	33.1	29.2	29.3	28.7	30.7	33.6
	S/T	0.98	0.95	0.75	0.73	0.53	0.98	0.98	0.80	0.78	0.55	0.98	0.98	0.84	0.82	0.58
	kW*	3.1	3.1	3.1	3.2	3.2	3.2	3.2	3.2	3.2	3.3	3.3	3.3	3.3	3.3	3.3
115	MBh [†]	25.9	26.0	26.3	28.3	31.1	27.1	27.2	26.9	28.9	31.7	28.1	28.2	27.4	29.4	32.1
	S/T	0.98	0.97	0.77	0.75	0.54	0.98	0.98	0.82	0.79	0.56	0.98	0.98	0.86	0.84	0.59
	kW*	3.5	3.5	3.5	3.5	3.6	3.6	3.6	3.6	3.6	3.7	3.7	3.7	3.7	3.7	3.7
125	MBh [†]	24.9	24.9	25.0	26.9	29.6	26.0	26.1	25.6	27.5	30.1	26.9	27.0	26.0	27.9	30.5
	S/T	0.98	0.98	0.79	0.76	0.55	0.98	0.98	0.84	0.81	0.58	0.98	0.98	0.88	0.86	0.60
	kW*	3.9	3.9	3.9	4.0	4.0	4.0	4.0	4.0	4.0	4.1	4.1	4.1	4.1	4.1	4.2

Notes: When the required data fall between the published data, interpolation may be performed. Extrapolation is not an acceptable practice.

† Total capacities are net capacities. Blower heat has been subtracted

†† At TVA rating indoor condition (75 F db/ 63 F wb), All other indoor air temperatures are at 80 F db

* System kW is total unit kW

Key: Standard Rating

S/T are based on 80°F db entering air at the indoor coil. For sensible capacities at other than 80°F db, deduct 835 Btuh per 1000 cfm of indoor coil air from MBhS/T for each degree below 80°F, or add 835 Btuh per 1000 cfm of indoor coil air from MBhS/T for each degree above 80°F.

EXPANDED PERFORMANCE DATA: PAF354000K00A (High Capacity)

OD Ambient (°F)	ID Airflow (SCFM)	1750					1875					2000				
		Entering Indoor Temperature - Degrees F, Wet Bulb														
		57	62	63††	67	72	57	62	63††	67	72	57	62	63††	67	72
75	MBh†	52.3	53.1	54.0	58.1	64.2	53.4	53.8	54.6	58.6	64.7	54.3	54.4	55.1	59.0	65.1
	S/T	0.98	0.93	0.88	0.71	0.51	0.98	0.95	0.91	0.73	0.52	0.98	0.97	0.93	0.74	0.53
	kW*	4.4	4.5	4.5	4.7	4.8	4.5	4.5	4.6	4.8	4.9	4.6	4.6	4.7	4.9	5.0
85	MBh†	50.7	51.2	52.0	55.8	61.6	51.7	51.9	52.5	56.3	62.1	52.6	52.7	53.0	56.6	62.4
	S/T	0.98	0.94	0.90	0.72	0.52	0.98	0.97	0.92	0.74	0.53	0.98	0.98	0.95	0.76	0.54
	kW*	4.8	4.9	5.0	5.1	5.3	4.9	5.0	5.0	5.2	5.4	5.0	5.0	5.1	5.3	5.5
95	MBh†	49.1	49.3	50.0	53.6	59.2	50.0	50.1	50.5	54.0	59.6	50.8	50.9	51.0	54.3	59.9
	S/T	0.98	0.96	0.92	0.73	0.53	0.98	0.98	0.94	0.75	0.54	0.98	0.98	0.96	0.77	0.55
	kW*	5.3	5.4	5.4	5.6	5.8	5.4	5.5	5.5	5.7	5.9	5.5	5.5	5.6	5.8	6.0
105	MBh†	47.5	47.5	48.0	51.4	56.7	48.3	48.4	48.5	51.7	57.0	49.1	49.1	49.1	52.0	57.3
	S/T	0.98	0.98	0.94	0.75	0.53	0.98	0.98	0.96	0.77	0.54	0.98	0.98	0.98	0.79	0.55
	kW*	5.9	5.9	6.0	6.1	6.3	6.0	6.0	6.1	6.2	6.4	6.1	6.1	6.1	6.3	6.5
115	MBh†	45.7	45.8	46.0	49.1	54.2	46.5	46.6	46.6	49.4	54.5	47.3	47.3	47.3	49.6	54.7
	S/T	0.98	0.98	0.96	0.76	0.54	0.98	0.98	0.98	0.79	0.55	0.98	0.98	0.98	0.81	0.56
	kW*	6.5	6.5	6.6	6.7	6.9	6.6	6.6	6.7	6.8	7.0	6.7	6.7	6.7	6.9	7.1
125	MBh†	-	-	-	-	-	-	-	-	-	-	-	-	-	-	-
	S/T	-	-	-	-	-	-	-	-	-	-	-	-	-	-	-
	kW*	-	-	-	-	-	-	-	-	-	-	-	-	-	-	-

EXPANDED PERFORMANCE DATA: PAF354000K00A (Low Capacity)

OD Ambient (°F)	ID Airflow (SCFM)	1150					1300					1500				
		Entering Indoor Temperature - Degrees F, Wet Bulb														
		57	62	63††	67	72	57	62	63††	67	72	57	62	63††	67	72
75	MBh†	37.6	38.9	39.6	42.8	47.3	39.3	39.9	40.5	43.7	48.3	41.1	41.2	41.6	44.6	49.3
	S/T	0.98	0.89	0.85	0.69	0.51	0.98	0.93	0.89	0.72	0.52	0.98	0.98	0.94	0.75	0.54
	kW*	3.6	3.6	3.6	3.7	3.7	3.7	3.7	3.7	3.7	3.7	3.7	3.7	3.7	3.8	3.8
85	MBh†	36.5	37.4	38.1	41.3	45.7	38.1	38.4	39.1	42.1	46.6	39.9	39.9	40.1	43.0	47.5
	S/T	0.98	0.91	0.86	0.70	0.51	0.98	0.95	0.91	0.73	0.53	0.98	0.98	0.96	0.77	0.55
	kW*	3.6	3.7	3.7	3.7	3.7	3.7	3.7	3.7	3.7	3.7	3.7	3.7	3.7	3.8	3.8
95	MBh†	35.3	35.9	36.6	39.6	44.0	36.8	36.9	37.5	40.4	44.8	38.5	38.6	38.6	41.2	45.6
	S/T	0.98	0.93	0.88	0.71	0.52	0.98	0.97	0.93	0.74	0.53	0.98	0.98	0.98	0.78	0.56
	kW*	3.6	3.7	3.7	3.7	3.7	3.7	3.7	3.7	3.7	3.7	3.7	3.7	3.7	3.8	3.8
105	MBh†	34.1	34.4	35.0	37.9	42.1	35.5	35.6	35.9	38.7	42.9	37.1	37.2	37.2	39.4	43.7
	S/T	0.98	0.95	0.90	0.72	0.53	0.98	0.98	0.95	0.76	0.54	0.98	0.98	0.98	0.80	0.57
	kW*	3.7	3.7	3.7	3.7	3.7	3.7	3.7	3.7	3.7	3.7	3.7	3.7	3.7	3.8	3.8
115	MBh†	32.8	32.9	33.4	36.2	40.3	34.2	34.2	34.3	36.9	41.0	35.7	35.7	35.7	37.6	41.6
	S/T	0.98	0.97	0.92	0.74	0.53	0.98	0.98	0.97	0.77	0.55	0.98	0.98	0.98	0.82	0.58
	kW*	3.7	3.7	3.7	3.7	3.7	3.7	3.7	3.7	3.8	3.8	3.8	3.8	3.8	3.8	3.8
125	MBh†	31.5	31.6	31.9	34.4	38.3	32.8	32.8	32.9	35.1	39.0	34.2	34.2	34.2	35.7	39.6
	S/T	0.98	0.98	0.95	0.76	0.54	0.98	0.98	0.98	0.79	0.56	0.98	0.98	0.98	0.85	0.59
	kW*	3.7	3.7	3.7	3.7	3.7	3.7	3.7	3.7	3.8	3.8	3.8	3.8	3.8	3.8	3.8

Notes: When the required data fall between the published data, interpolation may be performed. Extrapolation is not an acceptable practice.

† Total capacities are net capacities. Blower heat has been subtracted

†† At TVA rating indoor condition (75 F db/ 63 F wb), All other indoor air temperatures are at 80 F db

* System kW is total unit kW

Key: Standard Rating

S/T are based on 80°F db entering air at the indoor coil. For sensible capacities at other than 80°F db, deduct 835 Btuh per 1000 cfm of indoor coil air from MBhS/T for each degree below 80°F, or add 835 Btuh per 1000 cfm of indoor coil air from MBhS/T for each degree above 80°F.

ELECTRIC HEATER USAGE CHART

EHA Heater Model No's (Example: EHA05KN)								
Without Circuit Breakers	05KN		07KN		10KN			
With Circuit Breakers	05KB		07KB		10KB		15KB	20KB
Unit kW	5kW		7.5kW		10kW		15kW	20kW
PAF3	USED ON							
24	X	X	X	X	X	X		
30	X	X	X	X	X	X	X	
36	X	X	X	X	X	X	X	X
42	X	X	X	X	X	X	X	X
48	X	X	X	X		X	X	X
54	X	X	X	X		X	X	X

PAF3 - ELECTRICAL DATA: ELECTRIC HEAT ACCESSORY

Heater Model	Used With	Supply Voltage	KW Rating	Nominal Heating BTUH	Supply Circuit No.	Heater Amps	Minimum Circuit Ampacity	Max. Overcurrent Protective Device (Amps)
EHA05KB EHA05KN	2 to 5 Ton	240-1-60	5.0	17,065	L3 - L4	20.8	26.0	30
		208-1-60	3.75	12,798	L3 - L4	18.0	22.5	25
EHA07KB EHA07KN	2 to 5 Ton	240-1-60	7.5	25,598	L3-L4	31.3	39.1	40
		208-1-60	5.6	19,113	L3-L4	27.1	33.9	35
EHA10KB	2 to 5 Ton	240-1-60	10.0	34,130	L3 - L4	41.7	52.1	60
		208-1-60	7.5	25,598	L3 - L4	36.2	45.3	45
EHA10KN	2 to 3-1/2 Ton	240-1-60	10.0	34,130	L3 - L4	41.7	52.1	60
		208-1-60	7.5	25,598	L3 - L4	36.2	45.3	45
EHA15KB	2-1/2 to 5 Ton	240-1-60	15.0	51,195	L3 - L4	41.7	52.1	60
					L5 - L6	20.8	26.0	30
		208-1-60	11.25	38,567	L3 - L4	36.2	45.3	45
					L5 - L6	18.0	22.5	25
EHA20KB	3 to 5 Ton	240-1-60	20	68,260	L3 - L4	41.7	52.1	60
					L5 - L6	41.7	52.1	60
		208-1-60	15.0	51,195	L3 - L4	36.2	45.3	45
					L5 - L6	36.2	45.3	45

PAF3 - PERFORMANCE DATA: ELECTRIC HEAT ACCESSORY

Heater Model	Use With	Supply Voltage	KW Rating	Total Heating BTUH	*Temperature Rise °F @ CFM								
					600	800	1000	1200	1400	1600	1800	2000	2200
EHA05KB EHA05KN	2 to 5 Ton	240-1-60	5.0	17,065	26.4	19.8	15.8	13.1	11.2	9.9	8.7	7.9	-
		208-1-60	3.75	12,798	19.8	14.8	11.9	9.9	8.4	7.4	6.6	5.9	-
EHA07KB EHA07KN	2 to 5 Ton	240-1-60	7.5	25,598	39.5	29.6	23.7	19.8	16.9	14.8	13.2	11.9	10.8
		208-1-60	5.6	19,113	29.5	22.1	17.7	14.7	12.6	11.1	9.8	8.8	8.0
EHA10KB	2 to 5 Ton	240-1-60	10.0	34,130	52.7	39.5	31.6	26.4	22.6	19.8	17.6	15.8	14.4
		208-1-60	7.5	25,598	39.5	29.6	23.7	19.8	17.0	14.8	13.1	11.9	10.7
EHA10KN	2 to 3-1/2 Ton	240-1-60	10.0	34,130	52.7	39.5	31.6	26.4	22.6	19.8	17.6	15.8	14.4
		208-1-60	7.5	25,598	39.5	29.6	23.7	19.8	17.0	14.8	13.1	11.9	10.7
EHA15KB	2-1/2 to 5 Ton	240-1-60	15.0	51,195	-	59.3	47.4	39.5	33.9	29.6	26.4	23.7	21.2
		208-1-60	11.25	38,567	59.3	44.5	35.5	27.3	25.4	22.2	19.8	17.8	16.1
EHA20KB	3 to 5 Ton	240-1-60	20.0	68,260	-	-	-	52.7	45.1	39.5	35.1	31.6	28.7
		208-1-60	15.0	51,195	-	59.3	47.4	39.5	33.9	29.6	26.4	23.7	21.2

ACCESSORIES

ROOF CURBS

Model Number	Height (K)	Use With
ACL01FB0A	8"	PAF3 - ALL MODELS
ACM01FB0A	14"	
ACH01FB0A	24"	

ROOF CURB DIMENSIONS (inches)

Model Number	A	B	C	D	E	F	G	H	K (ACL)	K (ACM)	K (ACH)
AC(L,M,H)01FB0A	42-1/2	39-1/2	16	21-1/2	2	45-3/4	42-3/4	20	8	14	24

NOTE: AXB020(L,M,H)A curb can be substituted for AC(L,M,H)01FB0A.

SQUARE to ROUND TRANSITION

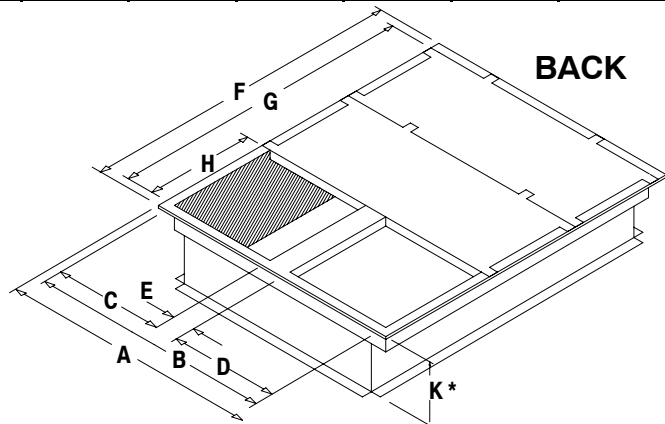
Model Number	Round Size	Use With Roof Curb
ACT01FB0A	16"	ACL01FB0A, ACM01FB0A, ACH01FB0A

CONCENTRIC GRILLE - FLUSH MOUNT

Model Number	Use With Roof Curb
AXB020CFA	ACL01FB0A, ACM01FB0A, ACH01FB0A

CONCENTRIC GRILLE - STEP DOWN

Model Number	Use With Roof Curb
AXB020CSA	ACL01FB0A, ACM01FB0A, ACH01FB0A



Curb Dimensions

Roof Curbs available in 8", 14" and 24" Heights (K Dimensions)

ECONOMIZERS (ALL FULLY MODULATING)*

Model Number	Application	Motion	Control	Use With Model Size
AHE01FB0A	Horizontal	Fully Modulating w/ Return Air Damper w/ Relief Damper	Enthalpy	24
AHE02FB0B				30, 36, 42, 48, 54
AEM01FB0A	Downflow			24
AEM03FB0B				30, 36, 42, 48
AHP01FB0B	Horizontal	Fully Modulating w/ Return Air Damper w/ Relief Damper	Dry Bulb Only	24
AHP02FB0B				30, 36, 42, 48, 54
AEP01FB0B	Downflow			24
AEP03FB0B				30, 36, 42, 48

* Three position economizers no longer available.

0% - 35% FRESH AIR DAMPERS (use in DOWN-FLOW application only) *

Model Number	Control	Use With Model Size
AFA01FB0A	Manual	24
AFA02FB0A		30, 36, 42, 48, 54
AFM01FB0A	Motorized	24
AFM02FB0A		30, 36, 42, 48, 54

* Unit must have internal filters to protect evaporator coil when Fresh Air Damper is installed.

OUTDOOR THERMOSTAT

Model Number	Description	Use With Model Size
AMF002OTA	2 Stage, Electronic	ALL

FILTER KIT, INTERNAL (use in HORIZONTAL or DOWNFLOW application)

Model Number	Filter Size (filters NOT supplied in kit)	Use With Model Size
AKF12FB0A	12 x 25 x 1 (2 required)	24
	14 x 25 x 1 (2 required)	30, 36, 42, 48, 54

HAIL GUARD

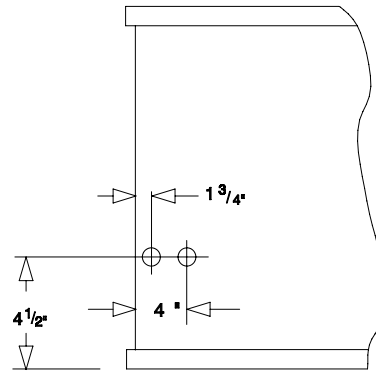
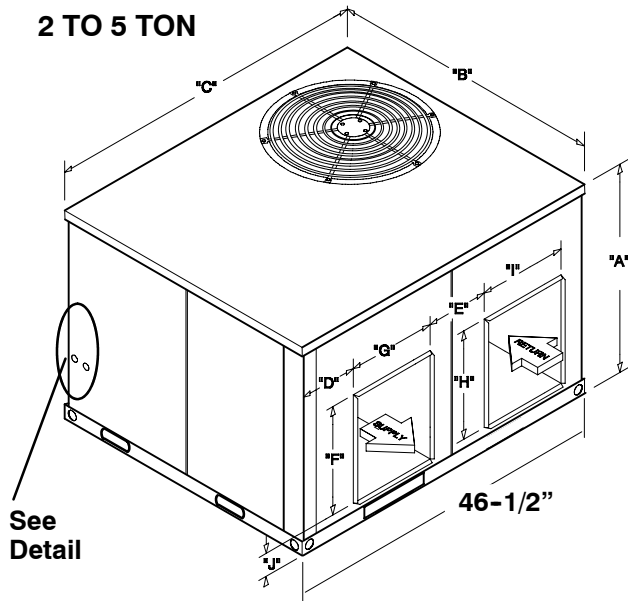
Model Number	Use With Model Size
AGH01FB0A	24
AGH02FB0A	30, 36, 42, 48, 54

LOW AMBIENT CONTROL

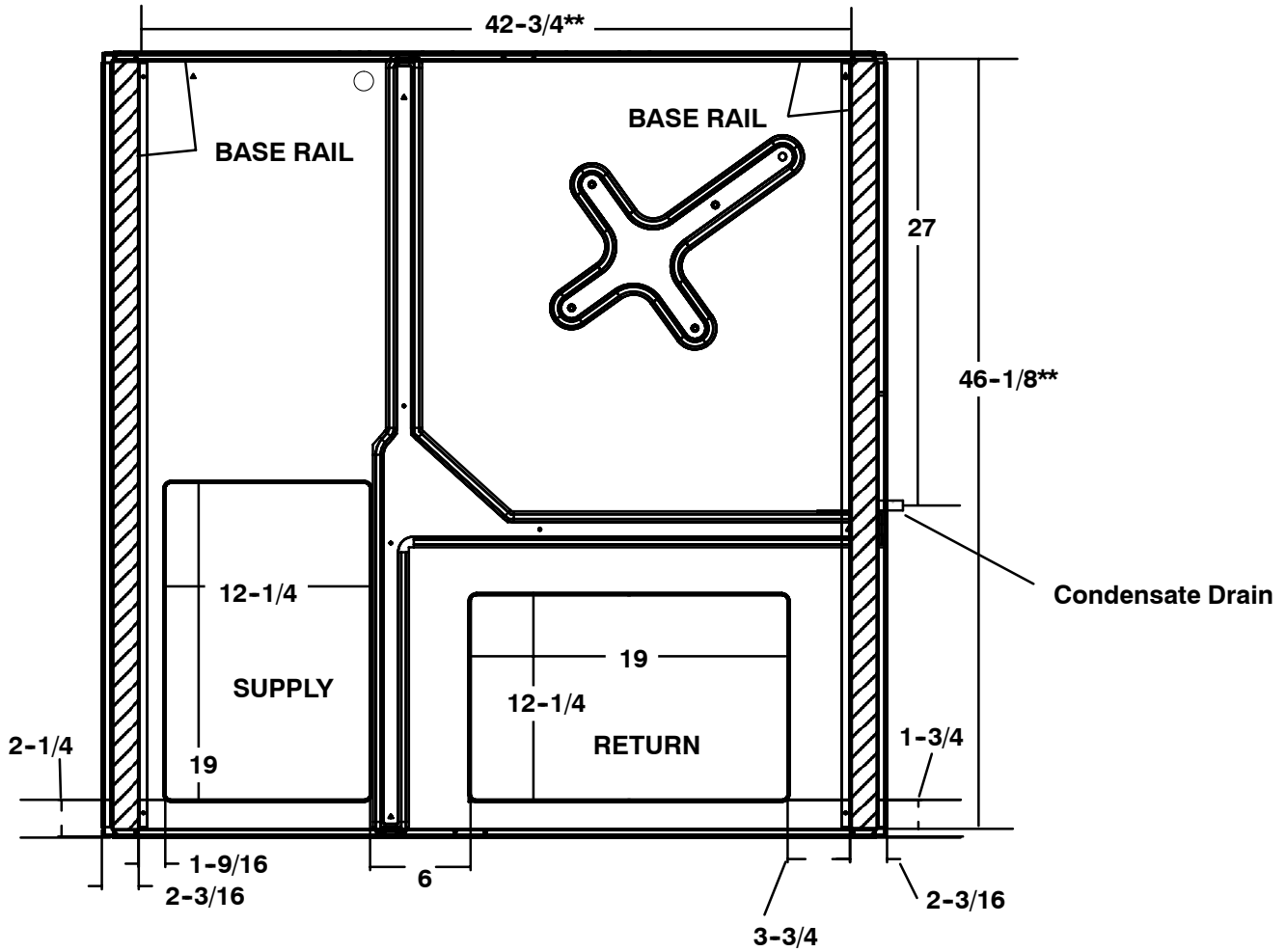
Model Number	FAST Part Number	Use With
ALA12CU0A	1085493	ALL

UNIT DIMENSIONS

2 TO 5 TON



BASE PAN - CHASSIS



UNIT SIZE	A	B	C	D	E	F	G	H	I	J
2 Ton	29-1/2	47-1/2	47-1/2	3	9-1/2	12	14	12	14	4-1/2
2-1/2 TO 5 Ton	37-1/2	47-1/2	47-1/2	3	9-1/2	19	12	12	19	4-1/2

** Measured from inside to inside on base rails.

MODEL NUMBER IDENTIFICATION GUIDE

Product Family	SEER	Nominal Cooling Capacity Btuh	Heating Input Btuh	Voltage	Option Code	Design Code	Eng. Rev. Code
PAF - Package Air Conditioner	3 = 13	24 = 24,000	000 = N/A	K = 208/230-1-60	00 = N/A	A	1
		30 = 30,000					
		36 = 36,000					
		42 = 42,000					
		48 = 48,000					
54 = 54,000							
Example: PAF	3	24	000	K	00	A	1

GUIDE SPECIFICATION

CABINET

The cabinet is made of triple-coated steel, consisting of a Polyester top coat, a urethane primer coat preceded by an oxide pretreatment. One piece weather resistant top. The base rails are 16 gauge steel with fork lift slots and holes provided for lifting shackles. The unit is designed with convertible airflow for either horizontal or downflow applications with conversion accomplished by relocating two panels. Indoor blower compartment interior cabinet surfaces are insulated with a minimum 1/2" thick, flexible glass insulation, coated on the air side. Aluminum foil faced glass fiber insulation is used in the furnace compartment.

COOLING SECTION

The unit is factory charged and operationally ready upon delivery. The unit refrigerant circuit has a high efficiency scroll compressor with internal overload protection, and copper tube / aluminum fin evaporator and condenser coils. The unit is designed for cooling operation to 40° F and will be capable of being wired for field installed economizer type accessories.

COILS

The evaporator and condenser coils are fabricated with aluminum fins mechanically bonded to copper tubing. Both coils are pressure tested prior to assembly into the unit and electronically leak tested after assembly into the unit.

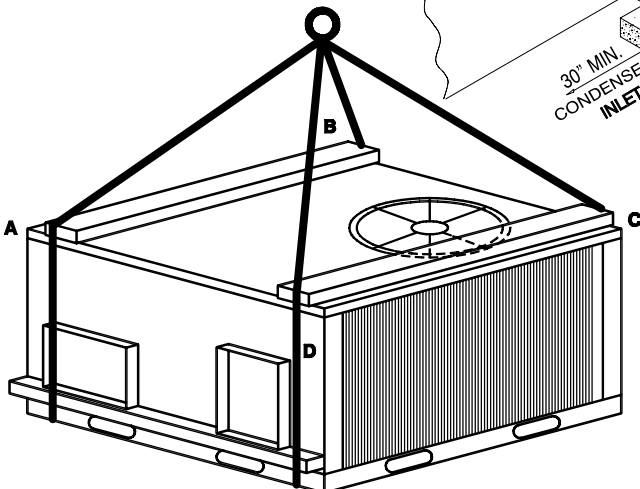
CONDENSER FAN

The unit has a single direct-drive propeller-fan / motor assembly. The assembly is mounted directly to a vertical-discharge grille that is easily removed for service. Motors are 1100 RPM with sleeve or ball bearings and internal overload protection.

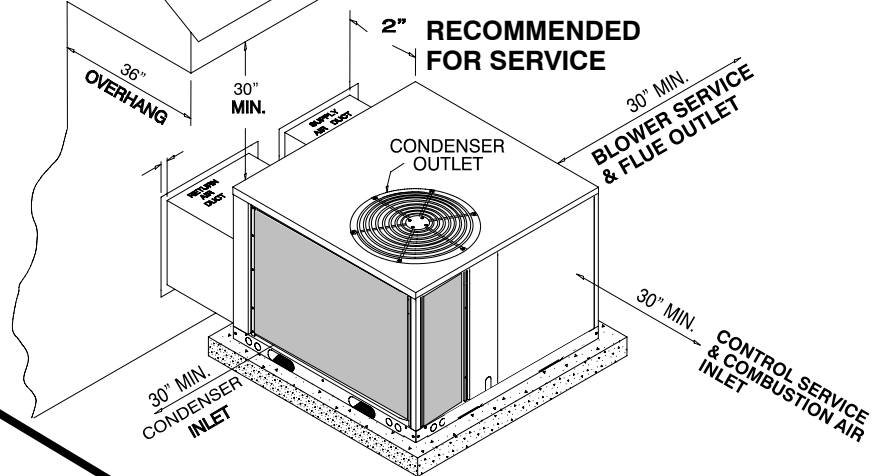
EVAPORATOR BLOWER

All units have a direct-drive evaporator blower motor as a standard. The direct-drive evaporator blower motor has sleeve bearings and internal overload protection.

RIGGING DETAILS



INSTALLATION CLEARANCES



CORNER WEIGHTS (LBS)

UNIT SIZE	A	B	C	D	OPERATING WEIGHT TOTAL
2 TON					270
2-1/2 TON					290
3 TON					301
3-1/2 TON					318
4 TON					369
5 TON					378