

Dual and Single UV LAMP SYSTEMS

TEMPSTAR[®]
Heating and Cooling Products

UVIC Lamp Systems

Ultraviolet germicidal lamps are designed to kill odor causing bacteria and mold that may develop in a HVAC unit. The UV lamp system is designed to destroy fungus and microbial growth when applied to the indoor coil/drain pan area of a central cooling system. The lamps will also reduce airborne viruses and bacteria generated in the occupied space. The lamps should be mounted on a flat metal surface. Lamps are designed to operate for **one year** continuously before replacement is required. The UV lamps are designed for indoor use only.



FEATURES:

COMPACT

- Single and Dual lamp configurations that meet most application requirements.

FULLY ASSEMBLED

- UVIC systems are fully assembled and ready for installation.

COVER / CHASSIS

- Powder Painted 20 ga. Galvanized Steel.

VERSATILITY & APPLICATION

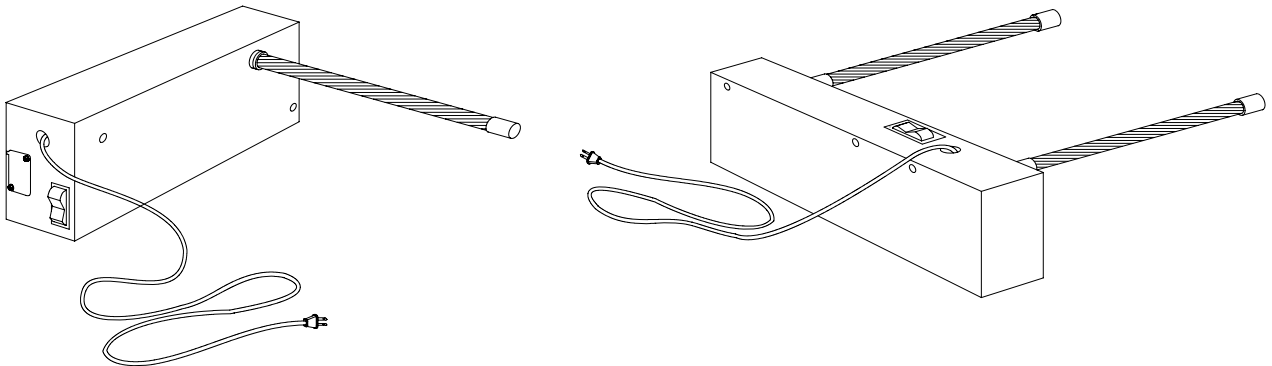
- UVIC lamps can be mounted in 'A' Coils or 'Slab' Coils in a Dual or Single Configuration.

AGENCY LISTED

- UVIC Lamp systems are UL and cUL listed.

LIMITED WARRANTY

- Five year warranty. Includes power supply only, does not include bulb.



Representative drawing only, some models may vary in appearance.

RESIDENTIAL AND COMMERCIAL SYSTEMS • SPLIT SYSTEMS • PACKAGED AIR CONDITIONERS
• COMBINATION GAS / ELECTRIC UNITS • HEAT PUMPS • AIR HANDLERS • MANUFACTURED
HOME AIR CONDITIONERS • GAS, OIL AND ELECTRIC FURNACES

770 21 1401 01

International Comfort Products
650 Heil-Quaker Avenue, Lewisburg, TN 37091

3/31/06

PERFORMANCE DATA

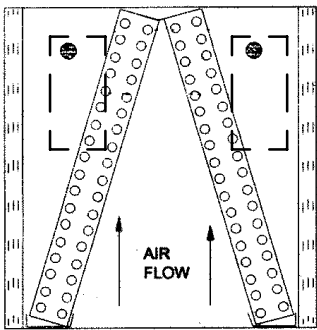
MODEL NUMBER	UVICA1LPA, UVICK1LPA	UVICA2LPA, UVICK2LPA
ELECTRICAL (Single Phase)	115V .38A 50/60 Hz. 208/230V .2A 50/60 Hz.	115V .65A 50/60 Hz. 208/230V .37A 50/60 Hz.
Service Cord (All Models)	6 ft. with ground pin plug	6 ft. with ground pin plug
Housing Material	Powder Painted 20 ga. Galvanized Steel	Powder Painted 20 ga. Galvanized Steel
Initial UVC Output at 1 meter (in micro-watts per square centimeter and 70° F) and 400 fpm Airflow	112	220
Power Consumption / Power Factor	40 W / .99	75 W / .99
Minimum Average Tube (lamp) Life	9,000 hours / 1000 cycles	9,000 hours / 1000 cycles
Operating Ambient Temperature Range	-20° C to 70° C, 5 to 95 % RH (non condensing).	-20° C to 70° C, 5 to 95 % RH (non condensing).
Replacement UV Bulbs Part Number	UVICXRPLA	UVICXRPLA

MODEL NUMBER IDENTIFICATION GUIDE

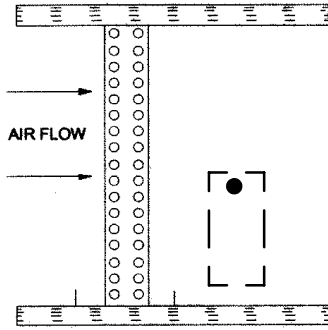
MODEL NUMBER	UVIC	A	1LP	A
UV Lamp				Series
Voltage				1LP = Single Lamp
A = 115v				2LP = Dual Lamp
K = 208/230v				

Single Lamp Systems:

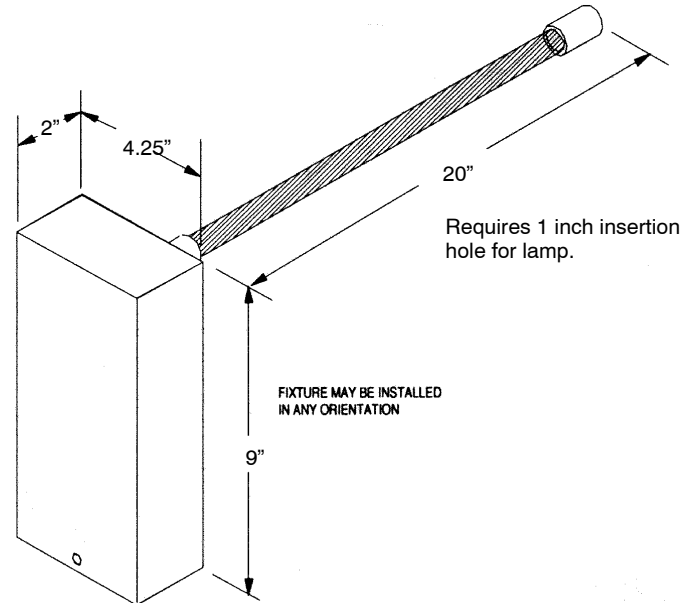
Models: UVICA1LPA, UVICK1LPA



A-Coil

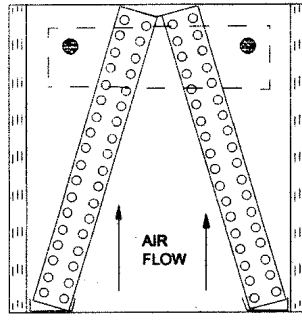


Slab Coil

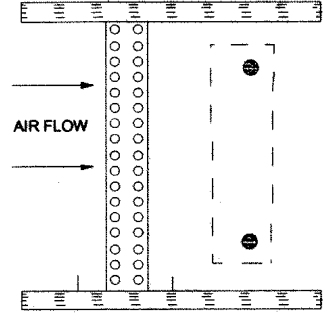


Dual Lamp System:

Models: UVICA2LPA, UVICK2LPA



A-Coil



Slab Coil

