

Color Touch-screen Communicating Wall Control

For use in Single or Multi-Zone Installations (Requires a complete Observer Zoning System and Version 3.0 software or later)

EASIER TO INSTALL

- 4-wire (Or 2-wire depending on the Outdoor Equipment) installation from each compatible component in the system
- Communication with all compatible components in the system
- Self configuration with all compatible components in the system
- Option to use NAXA00101DB Daughter Board for connection with non-communicating system components (Single or Multi-Zone Installations)
- Supports 4 stages Heat, 2 stages Cool
- True Dual Fuel compatible
- Full humidity control
- Outdoor temperature automatically received from compatible outdoor component, or use accessory OD temp sensor with non-communicating equipment
- Full QWERTY keyboard for data entry
- Selectable brand logo (or no logo)

EASIER TO SERVICE

- Non-volatile memory (except clock) holds program settings indefinitely without power
- Text based diagnostics viewable on screen
- Up to last 10 diagnostic fault messages viewable on screen
- Enter dealer name and contact info for display during a fault

EASIER TO SELL

- High definition full color touch-screen display
- Simplified programming with options for 4 daily periods during individual days, all days same, or weekday/weekend schedule
- Multiple hold options, including indefinite hold and timed override hold
- Selectable constant fan speed option – Low, Medium, High (with compatible indoor equipment)
- Screen cleaning function (disables touch-screen for 30 seconds)
- Adjustable/resettable filter and service reminders
- Touch-screen lockout option
- When installed as part of a complete Observer Zoning System, the TSTAT0101SC can be used as a Zone Sensor option for Zones 2 through 6.

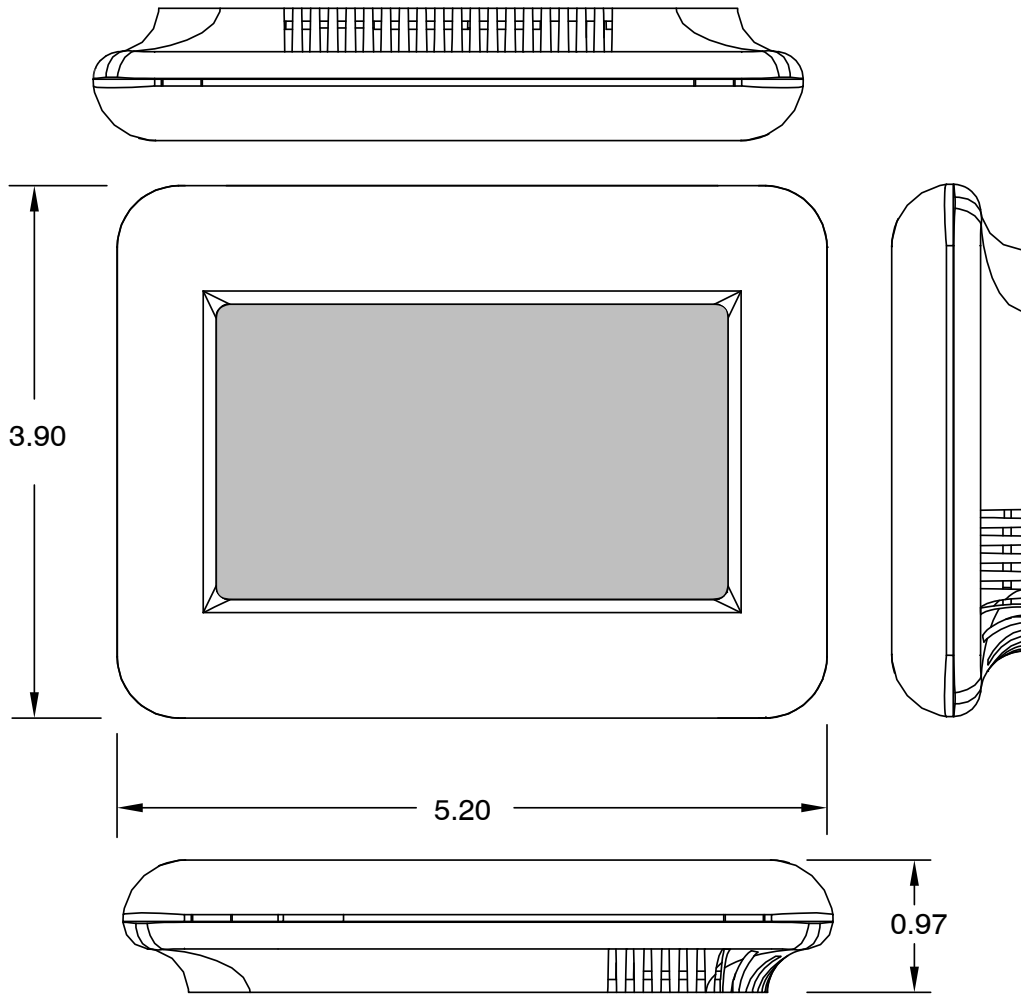


Physical Characteristics	
Dimensions H x W x D inch (mm)	3.9 x 5.2 x .97 (99 x 132 x 25) See drawing on page 2
Appearance	Plastic, white color, textured
Electrical Characteristics / Communication	
Input Volts/Amps	24VAC, 500ma minimum
Each device in the Observer Communicating System has a four-pin connector labeled DX+, DX- R C. It is recommended that the following color code be used when wiring each device:	
DX+	= Green = Data A
DX-	= Yellow = Data B
C	= White = 24VAC (Com)
R	= Red = 24VAC (Hot)
Environmental Requirements	
Operating Temp./ Relative Humidity	Wall Control and all sensors: 32°F to 104°F / 0°C to 40°C, 95% rh non-condensing
Storage Temp./ Relative Humidity	Wall Control: -40°F to 134°F / -40°C to 57°C, 95% rh non-condensing
Setpoint Specifications	Temperature set point range: 40°F to 90°F / 4°C to 32°C
Wiring Requirements	
Power Supply	Dedicated 24VAC, 40 va, 50/60 Hz, via indoor equipment DX+ DX- C R Connector. Isolated transformer, field supplied.
Wiring Material	Standard thermostat wire 18 to 24 gauge.

ACCESSORIES	
Part Number	Description
NAXA00101DB	Daughter board for use with non-communicating equipment. Converts 4-wire signal to conventional multi-wire signals (Y1, Y2, W1, W2, G, O) NOTE: Can be used in either Single or Multi-Zone Installations
TSTATXXSEN01B	Outdoor Temperature Sensor, use with non-communicating equipment (communicating outdoor equipment factory equipped with OD temp sensor)
TXMBP01	Backplate, medium size. Covers wall spots left when replacing larger thermostats
SYSTXGRPLG10	Communicating Plug, 4-wire (DX+, DX-, C, R). Matches connector on control board of communicating indoor and outdoor equipment, 10 pack
SYSTXIIRRS01	Remote Room Sensor (not required), requires 2-wire stat cable, use 1 or 2 with Observer control for optional remote temperature sensing (temperatures averaged)

ZONING ACCESSORIES	
Part Number	Description
ZONE0101ZP6	Observer Zone Panel supports up to 6 zones and provides basic relay logic for damper operation and serves as the common connection point for the Observer Zoning System.
ZONE0101RRS	Observer Communicating Room Sensor is a Zone Sensor option for Zones 2 through 6. It provides full setback capabilities (through the Observer wall control interface only) and communicates to Observer Zoning System).
ZONEXX0DTS01	Leaving Air Temperature (LAT) Sensor provides temperature readings to the zoning system to optimize performance and to protect the equipment
ZDAMPRND06INCB	Round Dampers 6 inch power open, power closed damper with self-aligning shaft and actuator hub
ZDAMPRND08INCB	Round Dampers 8 inch power open, power closed damper with self-aligning shaft and actuator hub
ZDAMPRND10INCB	Round Dampers 10 inch power open, power closed damper with self-aligning shaft and actuator hub
ZDAMPRND12INCB	Round Dampers 12 inch power open, power closed damper with self-aligning shaft and actuator hub
ZDAMPRND14INCB	Round Dampers 14 inch power open, power closed damper with self-aligning shaft and actuator hub
ZDAMPRND16INCB	Round Dampers 16 inch power open, power closed damper with self-aligning shaft and actuator hub
ZDAMPREC08X10B	Rectangular Dampers 8 inch X 10 inch power open, power closed damper with self-aligning shaft and actuator hub
ZDAMPREC08X14B	Rectangular Dampers 8 inch X 14 inch power open, power closed damper with self-aligning shaft and actuator hub
ZDAMPREC08X18B	Rectangular Dampers 8 inch X 18 inch power open, power closed damper with self-aligning shaft and actuator hub
ZDAMPREC08X24B	Rectangular Dampers 8 inch X 24 inch power open, power closed damper with self-aligning shaft and actuator hub
ZDAMPREC10X10B	Rectangular Dampers 10 inch X 10 inch power open, power closed damper with self-aligning shaft and actuator hub
ZDAMPREC10X14B	Rectangular Dampers 10 inch X 14 inch power open, power closed damper with self-aligning shaft and actuator hub
ZDAMPREC10X18B	Rectangular Dampers 10 inch X 18 inch power open, power closed damper with self-aligning shaft and actuator hub
ZDAMPREC10X24B	Rectangular Dampers 10 inch X 24 inch power open, power closed damper with self-aligning shaft and actuator hub
ZDAMPBAR08X14	Rectangular Barometric Bypass 8inch. X 14 inch power open, power closed damper with self-aligning shaft and actuator hub
ZDAMPBAR08X24	Rectangular Barometric Bypass 8 inch X 24 inch power open, power closed damper with self-aligning shaft and actuator hub
ZDAMPACT45DEGR	45° Replacement Actuator for Round Dampers
ZDAMPACT90DEGR	90° Replacement Actuator for Round Dampers

DIMENSIONS



www.GoICPCommercial.com

Copyright 2014 International Comfort Products
Lewisburg, TN 37091 USA