



**N9MSE**

**PS 95**

**Product Specifications**

**95.5% AFUE, Single Stage, PSC Gas Furnace**

**EASIER TO SELL**

- 95.5% AFUE, all models all positions, California NOx approved
- Certified to leak 2% or less of nominal air conditioning CFM delivered when pressurized to 1-inch water column with all present air inlets, air outlets, and condensate drain port(s) sealed
- Approved for Twinning applications (0601410 through 1202420) with accessory (order separately)
- Approved for Manufactured Housing/Mobile Home applications (0401410 through 1202420) with accessory (order separately)

**TOUGHER**

- Flame roll-out sensors standard
- Adjustable heating blower OFF delay
- Factory set blower ON delay
- RPJ® primary heat exchanger
- Stainless steel secondary heat exchanger
- High temperature limit control prevents overheating
- Direct ignition with Silicon Nitride ignitor
- High quality, corrosion-resistant, prepainted steel cabinet

**EASIER TO INSTALL AND SERVICE**

- Direct vent (2-pipe), single-pipe venting or ventilated combustion air
- 24 VAC humidifier terminal & electronic air cleaner terminal
- 35" (889mm) high, for ease of installation
- Simplified, factory installed internal condensate drain system
- Innovative knobs for easy door removal and secure attachment
- Factory shipped for natural gas, with propane gas conversion kits available
- Four position – upflow/downflow/horizontal (left/right) installation
- At least twelve different venting configurations
- Through the casing flue pipe for counterflow or horizontal applications with accessory (order separately)
- Concentric vent available
- Self diagnostics with super bright LED
- Slide out heat exchanger and blower assembly

**WARRANTY \***

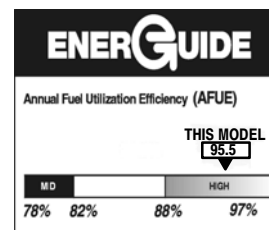
- 20 heat exchanger limited warranty
  - 5 year parts limited warranty
    - With timely registration, an additional 5 year parts limited warranty
- \* For owner occupied, residential applications only. See warranty certificate for complete details and restrictions, including warranty coverage for other applications.



Illustrations and photographs are only representative. Some product models may vary.

**WARNING**

**CARBON MONOXIDE POISONING AND FIRE HAZARD**  
 Failure to follow this warning could result in personal injury, death, and/or property damage.  
 This furnace is not designed for use in recreation vehicles or outdoors. This furnace is designed for use in manufactured (Mobile) homes when an optional Mobile Home accessory kit is installed.  
 Failure to follow this warning could result in personal injury, death, and/or property damage.



Use of the AHRI Certified TM Mark indicates a manufacturer's participation in the program. For verification of certification for individual products, go to www.ahridirectory.org.

Model Number	Input (MBTUH)	Efficiency AFUE	Cooling Capacity CFM range @ .5 in. w.c. (125 Pa)	Dimensions H x W x D Inches (Millimeters)	Shipping Wt. Lbs (Kg)
N9MSE0261408A	26,000	95.5%	440-775	35 x 14-3/16 x 29-1/2 (889 x 361 x 750)	118 (54)
N9MSE0401410A	40,000	95.5%	625-905	35 x 14-3/16 x 29-1/2 (889 x 361 x 750)	123 (55)
N9MSE0401712A	40,000	95.5%	650-1050	35 x 17-1/2 x 29-1/2 (889 x 445 x 750)	134 (61)
N9MSE0601410A	60,000	95.5%	675-1130	35 x 14-3/16 x 29-1/2 (889 x 361 x 750)	127 (57)
N9MSE0601714A	60,000	95.5%	650-1420	35 x 17-1/2 x 29-1/2 (889 x 445 x 750)	144 (65)
N9MSE0801716A	80,000	95.5%	810-1600	35 x 17-1/2 x 29-1/2 (889 x 445 x 750)	154 (69)
N9MSE0802120A	80,000	95.5%	1335-1970	35 x 21 x 29-1/2 (889 x 533 x 750)	162 (73)
N9MSE1002114A	100,000	95.5%	915-1545	35 x 21 x 29-1/2 (889 x 533 x 750)	169 (76)
N9MSE1002120A	100,000	95.5%	1345-2065	35 x 21 x 29-1/2 (889 x 533 x 750)	169 (76)
N9MSE1202420A	120,000	95.5%	1320-2105	35 x 24-1/2 x 29-1/2 (889 x 622 x 750)	186 (84)
N9MSE1402420A	140,000	95.5%	1290-2035	35 x 24-1/2 x 29-1/2 (889 x 622 x 750)	190 (86)

<b>MODEL NUMBER IDENTIFICATION GUIDE</b>										
DIGIT POSITION	1	2	3	4	5	6,7,8	9,10	11,12	13	14
F/G = Mainline N = Entry	<b>N</b>	<b>9</b>	<b>M</b>	<b>S</b>	<b>E</b>	<b>060</b>	<b>17</b>	<b>14</b>	<b>A</b>	<b>1</b>
9 = 90+% AFUE		<b>EFFICIENCY</b>		M = Multiposition		<b>POSITION</b>				
A = Modulating ECM Variable Speed Blower V = ECM Variable Speed X = ECM Blower (Speed Select)				S = Single-stage T = Two-stage		<b>TYPE</b>				
B = Base AFUE Efficiency C = Communicating E = Extra AFUE Efficiency T = Two-Stage						<b>FEATURE</b>				
026 = 26,000 BTU/hr 040 = 40,000 BTU/hr 060 = 60,000 BTU/hr 080 = 80,000 BTU/hr 100 = 100,000 BTU/hr 120 = 120,000 BTU/hr 140 = 140,000 BTU/hr						<b>HEAT INPUT</b>				
14 = 14-3/16" 17 = 17-1/2" 21 = 21" 24 = 24-1/2"								<b>CABINET WIDTH</b>		
08 = 800 CFM 10 = 1000 CFM 12 = 1200 CFM 14 = 1400 CFM 16 = 1600 CFM 20 = 2000 CFM 22 = 2200 CFM								<b>NOMINAL MAXIMUM COOLING AIRFLOW @ .5 IN. W.C.</b>		
SALES (MAJOR) REVISION DIGIT										
ENGINEERING (MINOR) REVISION DIGIT										

<b>ACCESSORIES PART NUMBER IDENTIFICATION GUIDE</b>								
DIGIT POSITION	1	2	3	4	5, 6, 7	8, 9	10, 11	
N = Non-Branded	<b>N</b>	<b>A</b>	<b>H</b>	<b>A</b>	<b>001</b>	<b>01</b>	<b>DH</b>	
N = Non-Branded		<b>BRANDING</b>		A = Accessory		<b>PRODUCT GROUP</b>		
H = Heating						<b>KIT USAGE</b>		
A = Original B = 2nd Generation						<b>MAJOR SERIES</b>		
Product Identifier Number								
Package Quantity								
Type of Kit (Example: DH = Draft Hood – Chimney Adapter)								

**PHYSICAL DATA**

UNIT SIZE (NATURAL GAS Ratings)		0261408A	0401410A	0401712A	0601410A	0601714A	0801716A
Input	Heat (BTUH)	26,000	40,000	40,000	60,000	60,000	80,000
Output	Heat (BTUH)	25,000	39,000	39,000	58,000	58,000	78,000
Efficiency	AFUE % (ICS)	95.5					
Certified Temperature Rise Range °F (°C)		25-55 (14-31)	40-70 (22-39)	35-65 (19-36)	40-70(22-39)		

UNIT SIZE (NATURAL GAS Ratings)		0802120A	1002114A	1002120A	1202420A	1402420A
Input	Heat (BTUH)	80,000	100,000	100,000	120,000	140,000
Output	Heat (BTUH)	78,000	97,000	97,000	117,000	135,000
Efficiency	AFUE % (ICS)	95.5				
Certified Temperature Rise Range °F (°C)		40-70(22-39)				45-75(25-42)

ICS — Isolated Combustion System

**AIRFLOW CAPACITY AND BLOWER DATA**

UNIT SIZE		0261408A	0401410A	0401712A	0601410A	0601714A	0801716A
Rated External Static Pressure in.w.c.(kPa)	Heating	.10(.25)	0.10(.025)	0.10(.025)	0.12(.05)	0.12(.05)	0.15(.38)
	Cooling	.5 (.125)					
Airflow Delivery @ Rated ESP (CFM)	Heating	675	820	1000	840	980	1040
	Cooling	775	905	1050	1130	1420	1600
Cooling Capacity (tons) @ 400, 350 CFM/ton	400 CFM/ton	1.5	2	2.5	2.5	3.5	4
	350 CFM/ton	2	2.5	3	3	4	4.5
Direct-Drive Motor Type		PSC – Permanent Split Capacitor					
Direct-Drive Motor HP		0.25	0.5	0.5	0.5	0.5	0.75
Motor Full Load Amps		2.8	6.2	6.2	6.2	6.8	7.9
RPM Range		500-1150					
Speed Selections		4	4	5	4	5	5
Blower Wheel Dia x Width	inches	11 x 7	11 x 7	11 x 7	11 x 7	11 x 8	11 x 8
Air Filtration System		Field Supplied					
Filter Used for Certified Watt Data		NAHA00506FB					

UNIT SIZE		0802120A	1002114A	1002120A	1202420A	1402420A
Rated External Static Pressure in.w.c.(kPa)	Heating	0.15(.38)	0.20(.050)	0.20(.050)	0.20(.050)	0.20(.050)
	Cooling	.5 (.125)				
Airflow Delivery @ Rated ESP (CFM)	Heating	1695	1510	1680	2245	2175
	Cooling	1970	1545	2065	2105	2035
Cooling Capacity (tons) @ 400, 350 CFM/ton	400 CFM/ton	5	4	5	5	5
	350 CFM/ton	5.5	4.5	6	6	6
Direct-Drive Motor Type		PSC – Permanent Split Capacitor				
Direct-Drive Motor HP		1	0.5	1	1	1
Motor Full Load Amps		13.8	6.5	13.8	14.1	14.1
RPM Range		500-1150				
Speed Selections		5	4	5	5	5
Blower Wheel Dia x Width	inches	11 x 10	11 x 10	11 x 10	11 x 11	11 x 11
Air Filtration System		Field Supplied				
Filter Used for Certified Watt Data		NAHA00706FB				

CONTROLS						
UNIT SIZE	0261408A	0401410A	0401712A	0601410A	0601714A	0801716A
Gas Connection Size	1/2" - NPT					
Burners (Monoport)	2	2	2	3	3	4
Gas Valve (Redundant)	White Rodgers™					
Minimum Inlet Gas pressure in. w.c. (kPa)	4.5 (1.1)					
Maximum Inlet Gas pressure in. w.c. (kPa)	13.6 (3.4)					
Ignition Device	Silicon Nitride					
Limit Control	220	165	180	165	180	170
Heating Blower Control (Heating Off-Delay)	Adjustable: 90, 120, 150, 180 seconds					
Cooling Blower Control (Time Delay Relay)	90 seconds					
Thermostat Connections	R, W, Y, G, C					
Accessory Connections	EAC (115vac); HUM (24vac)					

UNIT SIZE	0802120A	1002114A	1002120A	1202420A	1402420A
Gas Connection Size	1/2" - NPT				
Burners (Monoport)	4	5	5	6	7
Gas Valve (Redundant)	White Rodgers™				
Minimum Inlet Gas pressure in. w.c. (kPa)	4.5 (1.1)				
Maximum Inlet Gas pressure in. w.c. (kPa)	13.6 (3.4)				
Ignition Device	Silicon Nitride				
Limit Control	200	180	180	160	155
Heating Blower Control (Heating Off-Delay)	Adjustable: 90, 120, 150, 180 seconds				
Cooling Blower Control (Time Delay Relay)	90 seconds				
Thermostat Connections	R, W, Y, G, C				
Accessory Connections	EAC (115vac); HUM (24vac)				

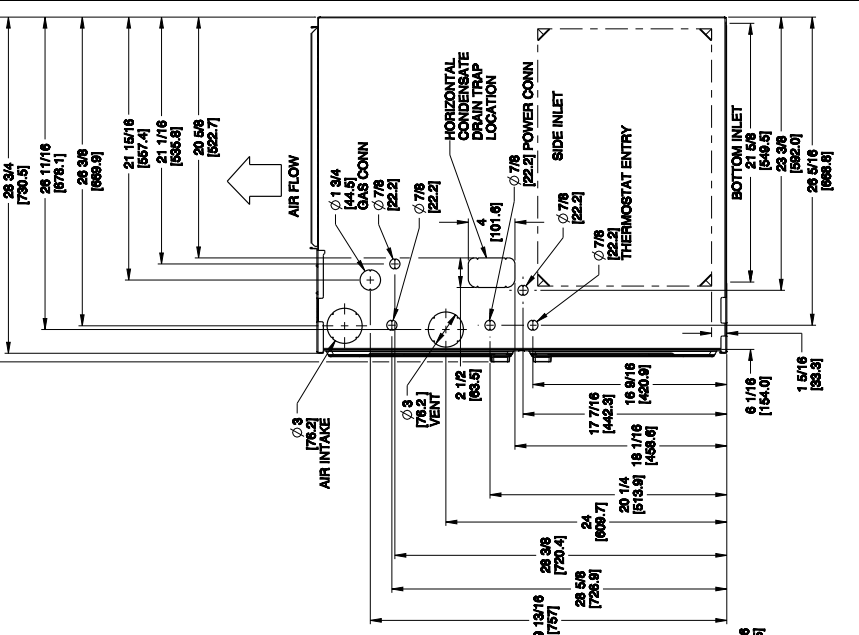
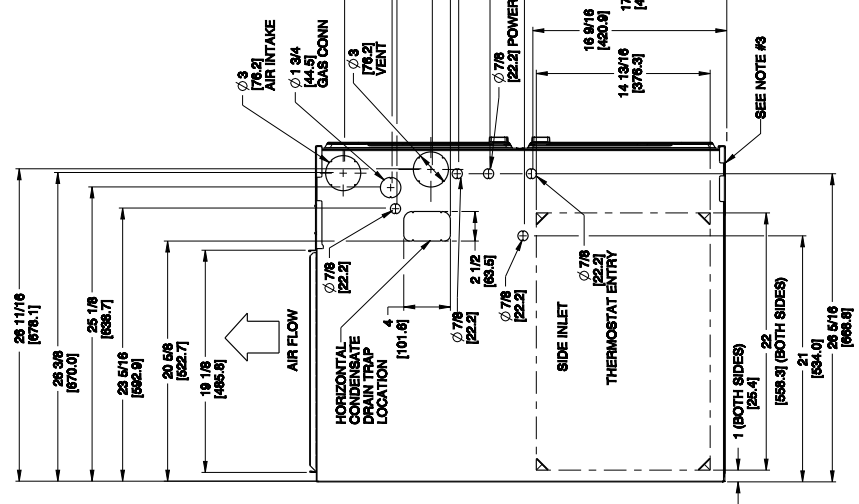
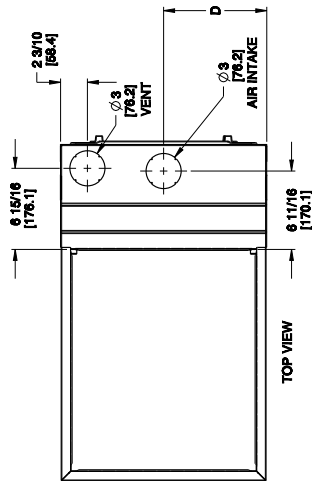
ELECTRICAL DATA							
UNIT SIZE	0261408A	0401410A	0401712A	0601410A	0601714A	0801716A	
Input Voltage (Volts-Hertz-Phase)	115 - 60 - 1						
Operating Voltage Range	Min.-Max.	104 - 127					
Maximum Input Amps	Amps	3.6	6.8	8.3	7.0	8.4	9.6
Unit Ampacity	Amps	5.4	9.5	11.4	9.7	11.5	13.0
Minimum Wire Size	AWG	14	14	14	14	14	14
Maximum Wire Length @ Min Wire Size	Feet (M)	68(20.7)	39(11.9)	32(9.8)	38(11.6)	32(9.8)	28(8.5)
Maximum Fuse/Circuit Breaker (Time-Delay Type Recommended)	Amps	15	15	15	15	15	15
Transformer Capacity (24 vac Output)	24 VAC Output / 40 VA						
External Control Power Available	Heating	27.9 VA					
	Cooling	34.6 VA					

UNIT SIZE	0802120A	1002114A	1002120A	1202420A	1402420A	
Input Voltage (Volts-Hertz-Phase)	115 - 60 - 1					
Operating Voltage Range	Min.-Max.	104 - 127				
Maximum Input Amps	Amps	14.5	7.6	14.6	14.9	14.9
Unit Ampacity	Amps	19.1	10.4	19.2	19.6	19.6
Minimum Wire Size	AWG	12	14	12	12	12
Maximum Wire Length @ Min Wire Size	Feet (M)	30(9.1)	35(10.7)	29(8.8)	29(8.8)	29(8.8)
Maximum Fuse/Circuit Breaker (Time-Delay Type Recommended)	Amps	20	15	20	20	20
Transformer Capacity	24 VAC Output / 40 VA					
External Control Power Available	Heating	27.9 VA				
	Cooling	34.6 VA				

UNIT DIMENSIONS

**NOTES:**

1. Doors may vary by model.
2. Minimum return-air openings at furnace, based on metal duct. If flex duct is used, see flex duct manufacturer's recommendations for equivalent diameters.
  - a. For 800 CFM-16-in. (406 mm) round or 14 1/2 x 12-in. (368 x 305 mm) rectangle.
  - b. For 1200 CFM-20-in. (508 mm) round or 14 1/2 x 19 1/2-in. (368 x 495 mm) rectangle.
  - c. For 1600 CFM-22-in. (559 mm) round or 14 1/2 x 22 1/16-in. (368 x 560mm) rectangle.
  - d. Return air above 1800 CFM at 0.5 in. w.c. ESP on 24.5" casing, requires one of the following configurations: 2 sides, 1 side and a bottom or bottom only. See Air Delivery table in this document for specific use to allow for sufficient airflow to the furnace.
3. Vent and Combustion air pipes through blower compartment must use accessory "Vent Kit - Through the Cabinet". See accessory list for current part number.



NOTE: ALL DIMENSIONS IN INCH [MM]

FURNACE SIZE	A	B	C	D	SHIP WT. LB (KG)
	CABINET WIDTH	OUTLET WIDTH	BOTTOM INLET WIDTH	AIR INTAKE	
0261408	14-3/16 (361)	12-1/2 (319)	12-9/16 (322)	7-1/8 (181)	118 (54)
0401410	14-3/16 (361)	12-1/2 (319)	12-9/16 (322)	7-1/8 (181)	123 (55)
0401712	17-1/2 (445)	15-7/8 (403)	16 (406)	8-3/4 (222)	134 (61)
0601410	14-3/16 (361)	12-1/2 (319)	12-9/16 (322)	7-1/8 (181)	127 (57)
0601714	17-1/2 (445)	15-7/8 (403)	16 (406)	8-3/4 (222)	144 (65)
0801716	17-1/2 (445)	15-7/8 (403)	16 (406)	8-3/4 (222)	154 (69)
0802120	21 (533)	19-3/8 (492)	19-1/2 (495)	10-1/2 (267)	162 (73)
1002114	21 (533)	19-3/8 (492)	19-1/2 (495)	10-1/2 (267)	169 (76)
1002120	21 (533)	19-3/8 (492)	19-1/2 (495)	10-1/2 (267)	169 (76)
1202420	24-1/2 (622)	22-7/8 (581)	23 (584)	12-1/4 (311)	186 (84)
1402420	24-1/2 (622)	22-7/8 (581)	23 (584)	12-1/4 (311)	190 (86)

<b>MINIMUM CLEARANCES TO COMBUSTIBLE MATERIALS FOR ALL UNITS</b>	
<b>POSITION</b>	<b>CLEARANCE In(mm)</b>
REAR	0
FRONT (Combustion air openings in furnace and in structure)	1 (25)
Required for service	*24 (610)
All Sides of Supply Plenum	*1 (25)
Sides	0
Vent	0
Top of Furnace	1 (25)

\* Consult your local building codes.

AIR DELIVERY – CFM (with filter)												
UNIT SIZE	RETURN-AIR CONNECTION	SPEED TAPS <sup>2</sup>	EXTERNAL STATIC PRESSURE (in. w.c.)									
			0.1	0.2	0.3	0.4	0.5	0.6	0.7	0.8	0.9	1.0
0261408	SIDE/BOTTOM	Black	1000	945	895	835	775	705	635	560	<b>485</b>	<b>395</b>
		Yellow	750	695	640	575	515	455	390	<b>315</b>	<b>250</b>	<sub>6</sub>
		Blue	675	620	560	500	440	380	310	<b>245</b>	<sub>6</sub>	<sub>6</sub>
		Red	500	440	375	315	245	<sub>6</sub>	<sub>6</sub>	<sub>6</sub>	<sub>6</sub>	<sub>6</sub>
0401410	SIDE/BOTTOM	Black	1100	1055	1010	960	<b>905</b>	<b>850</b>	<b>795</b>	<b>740</b>	<b>685</b>	<b>620</b>
		Yellow	955	915	875	830	790	740	695	645	590	<b>530</b>
		Blue	820	795	765	730	695	655	615	570	515	<b>460</b>
		Red	730	710	680	655	625	595	555	515	465	<b>400</b>
0401712	SIDE/BOTTOM	Black	1245	1195	1150	1100	1050	<b>1000</b>	<b>945</b>	<b>890</b>	<b>830</b>	<b>775</b>
		Yellow	1165	1120	1075	1030	980	925	870	815	760	710
		Orange	1045	1015	965	925	885	840	790	740	695	640
		Blue	1000	960	930	890	850	810	765	715	665	615
0601410	SIDE/BOTTOM	Red	735	725	700	680	650	625	590	555	515	<b>470</b>
		Black	1340	1295	1245	1190	1130	1065	1005	<b>895</b>	<b>815</b>	<b>725</b>
		Yellow	1035	1010	980	945	910	865	795	730	665	605
		Blue	845	825	810	785	755	710	670	625	570	515
0601714	SIDE/BOTTOM	Red <sup>5</sup>	770	750	730	710	675	640	600	560	510	<b>455</b>
		Black	1665	1615	1550	1485	1420	1345	1270	1190	1105	<b>985</b>
		Yellow	1340	1320	1295	1260	1215	1165	1110	1045	925	850
		Orange	1050	1045	1035	1015	995	960	915	845	785	725
0801716	SIDE/BOTTOM	Blue	985	980	975	950	930	900	845	795	740	690
		Red <sup>5</sup>	735	720	700	675	650	620	595	560	<b>520</b>	<b>480</b>
		Black	1870	1810	1740	1670	1600	1525	1440	<b>1355</b>	<b>1270</b>	<b>1180</b>
		Yellow	1525	1495	1460	1415	1365	1305	1240	1170	1090	990
0802120	BOTTOM or TWO-SIDES <sup>3,4</sup>	Orange	1375	1355	1330	1300	1260	1210	1155	1090	1025	940
		Blue	1045	1040	1030	1010	985	960	920	875	825	745
		Red <sup>5</sup>	880	865	850	835	810	785	750	715	665	605
		Black	2360	2250	<b>2160</b>	<b>2065</b>	<b>1970</b>	<b>1880</b>	<b>1785</b>	<b>1685</b>	<b>1580</b>	<b>1455</b>
1002114	SIDE/BOTTOM	Yellow	2100	2030	1960	1885	1805	1720	1635	1545	1440	1305
		Orange	1840	1810	1765	1725	1665	1590	1515	1430	1335	1240
		Blue	1705	1685	1660	1615	1570	1510	1445	1370	1280	1135
		Red	1425	1410	1385	1365	1335	1290	1245	1190	1120	1050
1002120	BOTTOM or TWO-SIDES <sup>3,4</sup>	Black	1750	1705	1660	1605	1545	1475	1405	1305	1220	1140
		Blue	1550	1510	1470	1430	1380	1320	1245	1170	1095	1015
		Yellow <sup>5</sup>	1290	1255	1220	1180	1130	1075	1020	960	885	800
		Red <sup>5</sup>	1085	1045	1010	960	915	865	805	740	665	595
1202420	BOTTOM or TWO-SIDES <sup>3,4</sup>	Black	2415	2330	<b>2245</b>	<b>2155</b>	<b>2065</b>	<b>1965</b>	<b>1865</b>	<b>1760</b>	<b>1645</b>	<b>1530</b>
		Yellow	2130	2075	2010	1945	1865	1785	1695	1600	1490	1375
		Orange	1830	1815	1785	1740	1685	1625	1550	1470	1370	1255
		Blue	1690	1680	1655	1620	1580	1530	1465	1385	1295	1185
1402420	BOTTOM or TWO-SIDES <sup>3,4</sup>	Red	1415	1405	1390	1370	1345	1305	1260	1200	1125	1050
		Black	2440	2360	<b>2295</b>	<b>2215</b>	<b>2105</b>	<b>1975</b>	<b>1815</b>	<b>1710</b>	<b>1575</b>	<b>1405</b>
		Blue	2300	2245	2185	2090	2005	1855	1745	1635	1505	<b>1370</b>
		Yellow	1805	1780	1750	1705	1650	1595	1515	1430	1330	1230
1402420	BOTTOM or TWO-SIDES <sup>3,4</sup>	Orange <sup>5</sup>	1560	1550	1535	1505	1470	1420	1360	1285	1205	1130
		Red <sup>5</sup>	1390	1385	1370	1345	1320	1285	1230	1175	1105	1035
		Black	<b>2410</b>	<b>2325</b>	<b>2230</b>	<b>2135</b>	<b>2035</b>	<b>1930</b>	<b>1820</b>	<b>1700</b>	<b>1575</b>	<b>1445</b>
		Blue	2250	2175	2100	2020	1930	1825	1715	1600	1485	<b>1370</b>
		Yellow <sup>5</sup>	1740	1725	1700	1660	1610	1550	1470	1390	1295	1190
1402420	BOTTOM or TWO-SIDES <sup>3,4</sup>	Orange <sup>5</sup>	1500	1495	1485	1465	1435	1390	1335	1265	1185	1090
		Red <sup>5</sup>	1350	1345	1335	1315	1290	1255	1210	1150	1080	995

NOTE:

1. A filter is required for each return-air inlet. Airflow performance includes a 3/4 in. (19 mm) washable filter media such as contained in factory-authorized accessory filter rack. See accessory list. To determine airflow performance without this filter, assume an additional 0.1 in. W.C. available external static pressure.
2. Blower speed taps are not always in the same order. Factory Default blower connections are as follows:  
Heating airflow – BLUE (also used for Continuous Fan)  
Cooling airflow – BLACK (enabled when the Y terminal is energized)  
**ADJUST THE BLOWER SPEED TAPS AS NECESSARY FOR THE PROPER AIR TEMPERATURE RISE FOR EACH INSTALLATION.**
3. Airflow over 1800 CFM require bottom return, two-side return, or bottom and side return. A minimum filter size of 20" x 25" is required.
4. For upflow applications, air entering from one side into both the side of the furnace and a return air base counts as a side and bottom return.
5. Highlighted areas indicate that this airflow range is beyond the range allowed for heating. **THESE AIRFLOW RANGES MAY ONLY BE USED FOR COOLING.**
6. All airflow that are shown in **BOLD** exceed 0.58 Watts per CFM at the given external static pressure.

ACCESSORIES													
PART NUMBER	COMPONENT NAME	DESCRIPTION	0261408	0401410	0401712	0601410	0601714	0801716	0802120	1002114	1002120	1202420	1402420
NAHA00101CT	EXTERNAL TRAP KIT	CONDENSATE TRAP	X	X	X	X	X	X	X	X	X	X	X
NAHA00110DA	DRAIN ACCESSORY	1/2" CPVC TO 3/4" PVC (10 PACK)	X	X	X	X	X	X	X	X	X	X	X
NAHA002CV	VENT TERMINATION KIT	2" CONCENTRIC VENT	X	X	X	X	X	X	X	X	X	X	X
NAHA00101VC	INTERNAL VENT KIT	3" CONCENTRIC VENT	X	X	X	X	X	X	X	X	X	X	X
NAHA00301VT	DIRECT VENT TERMINATION KIT	THROUGH THE CABINET	X	X	X	X	X	X	X	X	X	X	X
NAHA00401VT	INLET AIR PIPE COUPLING	2" BRACKET	X	X	X	X	X	X	X	X	X	X	X
NAHA00101CK	HORIZONTAL INSTALLATION KIT	3" BRACKET	X	X	X	X	X	X	X	X	X	X	X
NAHA00101HV	FREEZE PROTECT KIT	COUPLING FOR POLYPROPYLENE VENT SYSTEMS	X	X	X	X	X	X	X	X	X	X	X
NAHA00101HH	CONDENSATE FREEZE PROTECTION KIT	TRAP GROMMET (DIRECT VENT APPLICATION ONLY)	X	X	X	X	X	X	X	X	X	X	X
NAHA00201HH	FLOOR BASE KIT	CONDENSATE DRAIN LINE - TAPE	X	X	X	X	X	X	X	X	X	X	X
NAHA00101SB	GAS CONVERSION KIT	CONDENSATE TRAP WITH HEAT PAD	X	X	X	X	X	X	X	X	X	X	X
NAHC00901LP*	GAS CONVERSION KIT	COMBUSTIBLE FLOOR	X	X	X	X	X	X	X	X	X	X	X
NAHC00901NG*	GAS CONVERSION KIT	NATURAL TO PROPANE	X	X	X	X	X	X	X	X	X	X	X
NAHA01201LP*	GAS CONVERSION KIT	PROPANE TO NATURAL	X	X	X	X	X	X	X	X	X	X	X
NAHA01201NG*	GAS CONVERSION KIT	NATURAL TO PROPANE	X	X	X	X	X	X	X	X	X	X	X
NAHA00101MH*	MANUFACTURED HOME KIT	PROPANE TO NATURAL	X	X	X	X	X	X	X	X	X	X	X
NAHA00701WK	TWINNING KIT	GAS CONVERSION KIT	X	X	X	X	X	X	X	X	X	X	X
NAHA00506FB†	WASHABLE FILTER PACK	OPERATION OF TWO IDENTICAL SIZE MODEL FURNACES	X	X	X	X	X	X	X	X	X	X	X
NAHA00706FB	EXTERNAL BOTTOM FILTER RACK	WASHABLE FILTER 1" X 16" X 25" (6 PACK)	X	X	X	X	X	X	X	X	X	X	X
NAHB00501FF	SIDE FILTER RACK (NOT ADJUSTABLE)	WASHABLE FILTER 1" X 24" X 25" (6 PACK)	X	X	X	X	X	X	X	X	X	X	X
NAHB00601FF	SIDE FILTER RACK PACK	14" X 25" WASHABLE FILTER INCLUDED	X	X	X	X	X	X	X	X	X	X	X
NAHB00701FF	COIL ADAPTER KIT	17-1/2" X 25" WASHABLE FILTER INCLUDED	X	X	X	X	X	X	X	X	X	X	X
NAHB00801FF	RETURN AIR KIT	21" X 25" WASHABLE FILTER INCLUDED	X	X	X	X	X	X	X	X	X	X	X
NAHA01001FF	CONDENSATE NEUTRALIZER KIT	24-1/2" X 25" WASHABLE FILTER INCLUDED	X	X	X	X	X	X	X	X	X	X	X
NAHA01006FF	CONDENSATE NEUTRALIZER KIT	16" X 25" RACK - FILTER NOT INCLUDED	X	X	X	X	X	X	X	X	X	X	X
NAHB00101CA	CONDENSATE NEUTRALIZER KIT	16" X 25" RACKS (6 PACK)	X	X	X	X	X	X	X	X	X	X	X
NAHB00201CA	CONDENSATE NEUTRALIZER KIT	WITH NO OFFSET	X	X	X	X	X	X	X	X	X	X	X
NAHB00301CA	CONDENSATE NEUTRALIZER KIT	WITH SINGLE OFFSET	X	X	X	X	X	X	X	X	X	X	X
NAHA01401RA	CONDENSATE NEUTRALIZER KIT	WITH DOUBLE OFFSET	X	X	X	X	X	X	X	X	X	X	X
NAHA01701RA	CONDENSATE NEUTRALIZER KIT	14-3/16" WIDE	X	X	X	X	X	X	X	X	X	X	X
NAHA02101RA	CONDENSATE NEUTRALIZER KIT	17-1/2" WIDE	X	X	X	X	X	X	X	X	X	X	X
NAHA02401RA	CONDENSATE NEUTRALIZER KIT	21" WIDE	X	X	X	X	X	X	X	X	X	X	X
NAHA001NK	CONDENSATE NEUTRALIZER KIT	24-1/2" WIDE	X	X	X	X	X	X	X	X	X	X	X
		NEUTRALIZES CONDENSATE	X	X	X	X	X	X	X	X	X	X	X

X Accessory available  
 † Suitable for side return filter rack and 17 inch external bottom filter rack.  
 ‡ Factory authorized and field installed. Gas conversion kits are CSA recognized.

Part Number	Gas Type	Orifice Size
1185612	Natural	42
1176928	Natural	43
1185674	Natural	44
1177213	Natural	45

Part Number	Gas Type	Orifice Size
1183809	Natural	46
1185613	Natural	47
1185614	Natural	48

Part Number	Gas Type	Orifice Size
1184256	Propane	54
1185615	Propane	55
1185616	Propane	56
1185617	Propane	1.25 mm
1185618	Propane	1.30 mm