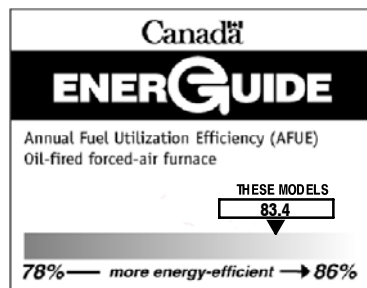


Representative only, some models may vary in appearance.

Upflow and Horizontal

FEATURES

- **Fan Control Switch** - for continuous fan operation.
- **Large external front clean out** - for easy cleaning.
- **Clean out** - sealed from blower compartment (no soot to spread).
- **Easy Access** - control panel.
- **View Port** - (some models only)
- **Furnaces** - are available with your choice of high efficiency burners. (Burners ordered and shipped separately)
- **"Easy Access" heat exchanger** - manufactured from heavy gauge steel.
- **Multi-Speed Direct Drive Motors** - permanently lubricated for long life performance.
- **Heavy-duty insulated cabinet** - for quiet operation.
- **Precision balanced blower** - ensures quiet, efficient air distribution.
- **Raised cabinet base** - allows air to circulate under the cabinet. Eliminates dampness.
- **Efficient** - Up to 83.4% AFUE.
- **Warranty** - Limited lifetime on heat exchanger, five(5) years on burner and most other parts.
- **Air conditioning** ready.



FURNACE SPECIFICATIONS

| | | | |
|--|---|----------|----------|
| Model: | OTF210 | | |
| Rating and Performance | | | |
| Firing Rate | 1.20 | 1.35 | 1.50 |
| Input (BTUh) | 168,000 | 189,000 | 210,000 |
| Heating capacity, (BTUh) | 142,000 | 158,000 | 175,000 |
| Minimum--maximum Temperature Rise | 65° - 85° F | | |
| Beckett Burner, (3450 RPM) Chimney Installation | AFG- F6 (tube insertion 2 ⁷ / ₈ ") | | |
| Low firing rate baffle | No | | |
| Static disc model | 2 ³ / ₄ #3383 | | |
| Nozzle (Delavan) | 1.00-70W | 1.10-70W | 1.25-70W |
| Pump pressure (PSIG) | 145 | 150 | 145 |
| Combustion air adjustment (band/shutter) | 0/6 | 1/3 | 1/5 |
| Riello Burner, Model 40 Chimney Installation | F5 (tube insertion 3 ⁹ / ₁₆ ") | | |
| Nozzle (Delavan) | 1.00-70W | 1.10-70W | 1.25-70W |
| Pump pressure (PSIG) | 145 | 150 | 145 |
| Combustion air adjustment (turbulator/damper) | 0/3 | 1/3.25 | 4/4 |
| Electrical System | | | |
| Volts -- Hertz -- Phase | 115-60-1 | | |
| Operating voltage range | 104 - 132 | | |
| Rated current (AMP) | 15.7 | | |
| Minimum ampacity for wire sizing | 18.1 | | |
| Max. fuse size (AMPs.) | 20.0 | | |
| Blower Data | | | |
| Blower speed @ 0.25" WC static pressure | Med-High | High | High |
| Blower speed @ 0.50" WC static pressure | High | High | High |
| Motor (HP) / number of speeds | ³ / ₄ HP / 4 speeds | | |
| Blower wheel size (in.) | GT 12 x 10 | | |
| Filter quantity and size | (1) 20 x 30 | | |
| Supply air duct W x H | 22" x 30" | | |
| Return air duct W x H | 18" x 28" | | |
| Maximum air conditioning capacity | 5 tons | | |
| Weight (Lbs.) | 250 | | |

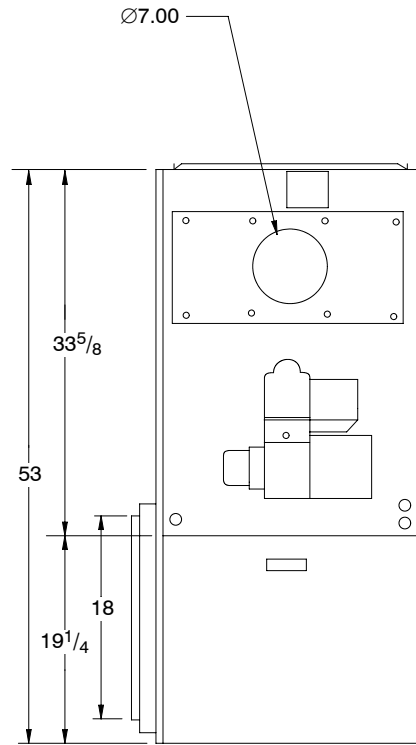
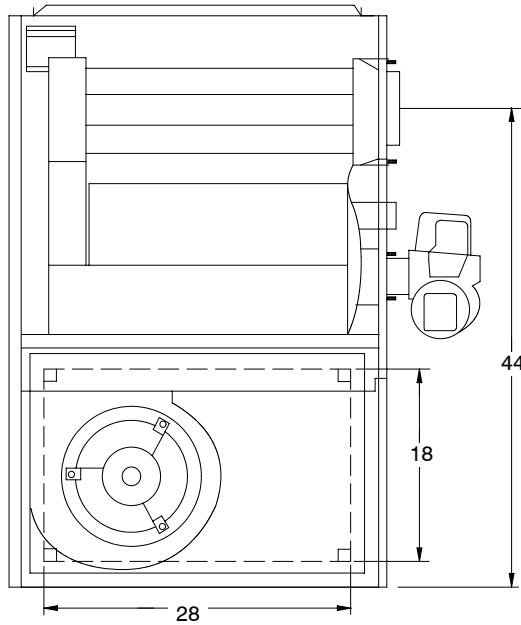
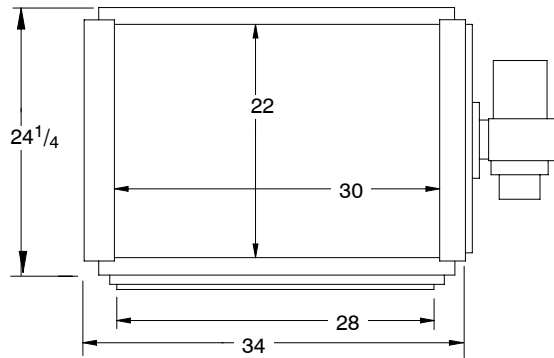
BLOWER PERFORMANCE DATA (Air delivery - CFM with air filter)

| | | |
|---------------|--|-------|
| Model: | OTF210 | |
| Speed | Air Delivery - CFM with Air Filter External Static Pressure | |
| | .25" | .50" |
| Med-High | 2,200 | N/A |
| High | 2,300 | 2,150 |

NEW MODEL NUMBER IDENTIFICATION GUIDE

| | | | | | | | |
|---|--|----------|----------|------------|----------|-----------|---|
| MODEL NUMBER | O | T | F | 210 | G | 21 | # |
| FUEL O = Oil | | | | | | | REVISION |
| PRODUCT GROUP U = Upflow H = Horizontal T = Upflow/Horizontal L = Lowboy | D = Downflow C = Downflow/Horizontal M = Multiposition | | | | | | AIR FLOW 21 = 2100 CFM |
| SERIES F = Front Breech | R = Rear Breech | | | | | | SUPPLY PLENUM SIZE A = 20 x 20 B = 24 x 24 C = 21 ¹ / ₈ x 21 ¹ / ₂ G = 22 x 30 |
| | | | | | | | INPUT, MBTUH |

DIMENSIONS



ALL DIMENSIONS IN INCHES

Representative only, some models may vary in appearance.

27-11-37

Minimum Installation Clearances from Combustible Materials

| LOCATION | APPLICATION | OTF210 | |
|-----------|---|-------------------------|--------------|
| | | Upflow | Horizontal |
| Sides | Furnace | 5.08 cm (2") | 5.08 cm (2") |
| | Supply Plenum within 6' of furnace | 2.54 cm (1") | 2.54 cm (1") |
| Back | Furnace | 5.08 cm (2") | 5.08 cm (2") |
| Top | Furnace or plenum | 2.54 cm (1") | 7.6 cm (3") |
| | Horizontal warm air duct within 6' of Furnace | 2.54 cm (1") | 7.6 cm (3") |
| Bottom | Furnace | 0" | *0" |
| Flue Pipe | Horizontally or below flue pipe | 23 cm (9") | 23 cm (9") |
| | Vertically above flue pipe | 23 cm (9") | 23 cm (9") |
| Front | Furnace | 61 cm (24") | 61 cm (24") |
| | | *When used with HFB-101 | |

ACCESSORY DESCRIPTION

| Accessories Model No | Description |
|----------------------|--|
| N03G012 | Nozzle, Oil Burner, Delavan, 1.00 GPH/70° W |
| N03G013 | Nozzle, Oil Burner, Delavan, 1.10 GPH/70° W |
| N03G024 | Nozzle, Oil Burner, Delavan, 1.25 GPH/70° W |
| N01J045 | Beckett AFG-F6 Oil Burner (Shipped with Nozzle 1.25 - 70° W) |
| N01F040 | Riello 40-F5 Oil Burner (Shipped with Nozzle 1.25 - 70° W) |
| HFB-101 | Horizontal Floor Base |