



EFFICIENT 13 SEER 3-PHASE HEAT PUMP ENVIRONMENTALLY SOUND R-410A REFRIGERANT 2-1/2 THRU 5 TONS SPLIT SYSTEM 208 / 230 Volt, 3-phase, 60 Hz 460 Volt, 3-phase, 60 Hz

REFRIGERATION CIRCUIT

- Copeland Scroll™ compressors on all models
- Crankcase Heaters factory installed on all models
- Suction line accumulator factory installed
- Bi-flow filter-drier included for field installation
- Integrated solid state control with Time-Temperature Defrost
- High and Low pressure switches
- Copper tube / aluminum fin coil

PERFORMANCE

- Compressor Sound Jacket standard

EASY TO INSTALL AND SERVICE

- Comfort Alert™ Diagnostics device on all models
- Easy Access service valves on all models
- Innovative control box design
- External high and low refrigerant service ports
- Fan motor in-line disconnect plug
- Only two screws to access control panel
- Factory charged with R-410A refrigerant

BUILT TO LAST

- High gloss, baked-on powder coat finish over galvanized steel
- Post-painted (black) coil fins
- Coated, weather-resistant cabinet screws
- Coated inlet grille with 3/8" (10mm) spacing for extra protection (hail guard)
- Corner Posts for extra strength and style

WARRANTY

- 5 year compressor limited warranty
- 1 year parts limited warranty

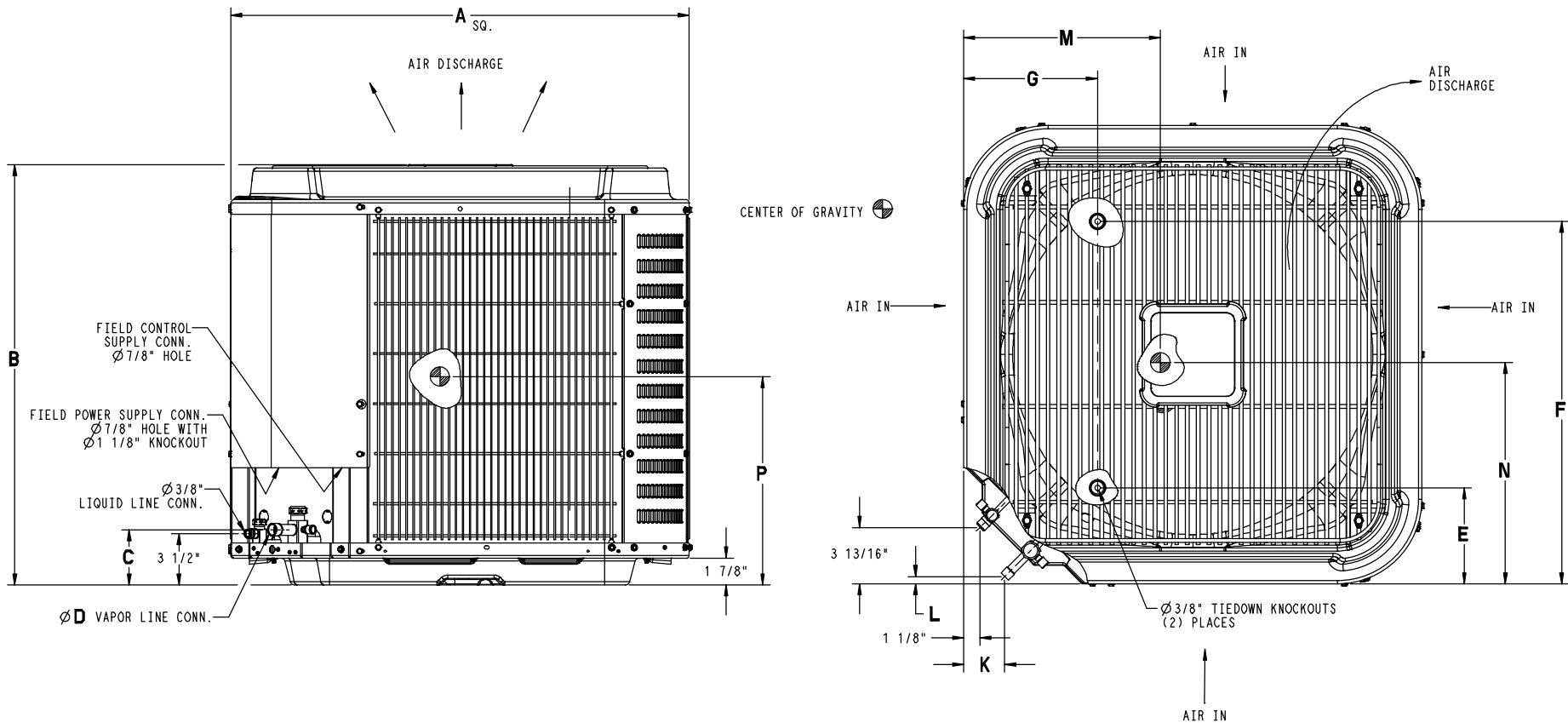


Use of the AHRI Certified TM Mark indicates a manufacturer's participation in the program. For verification of certification for individual products, go to www.ahridirectory.org.

| Model Number | Voltage | Size (tons) | Nominal Btu/hr | Min. Circuit Ampacity | Max. Fuse or Breaker | Operating Dimensions height x width x depth in. (mm) | Ship / Operating Weight lbs. (kg) |
|--------------|---------|-------------|----------------|-----------------------|----------------------|--|-----------------------------------|
| H4H330GHE | 208/230 | 2-1/2 | 30,000 | 13.6 | 20 | 28-9/16 x 31-3/16 x 31-3/16 (726 x 793 x 793) | 180 / 146 (82 / 66) |
| H4H336GHE | 208/230 | 3 | 36,000 | 14.1 | 20 | 32 x 31-3/16 x 31-3/16 (813 x 793 x 793) | 178 / 152 (81 / 69) |
| H4H336GLE | 460 | | | 7.9 | 10 | | |
| H4H342GHE | 208/230 | 3-1/2 | 42,000 | 17.8 | 30 | 28-9/16 x 31-3/16 x 31-3/16 (726 x 793 x 793) | 229 / 193 (104 / 88) |
| H4H348GHE | 208/230 | 4 | 48,000 | 18.5 | 30 | 35-3/8 x 31-3/16 x 31-3/16 (899 x 793 x 793) | 251 / 216 (114 / 98) |
| H4H348GLE | 460 | | | 9.0 | 10 | | |
| H4H360GHD | 208/230 | 5 | 60,000 | 21.1 | 30 | 29-7/8 x 35 x 35 (760 x 889 x 889) | 293 / 252 (133 / 114) |
| H4H360GLD | 460 | | | 10.3 | 15 | | |

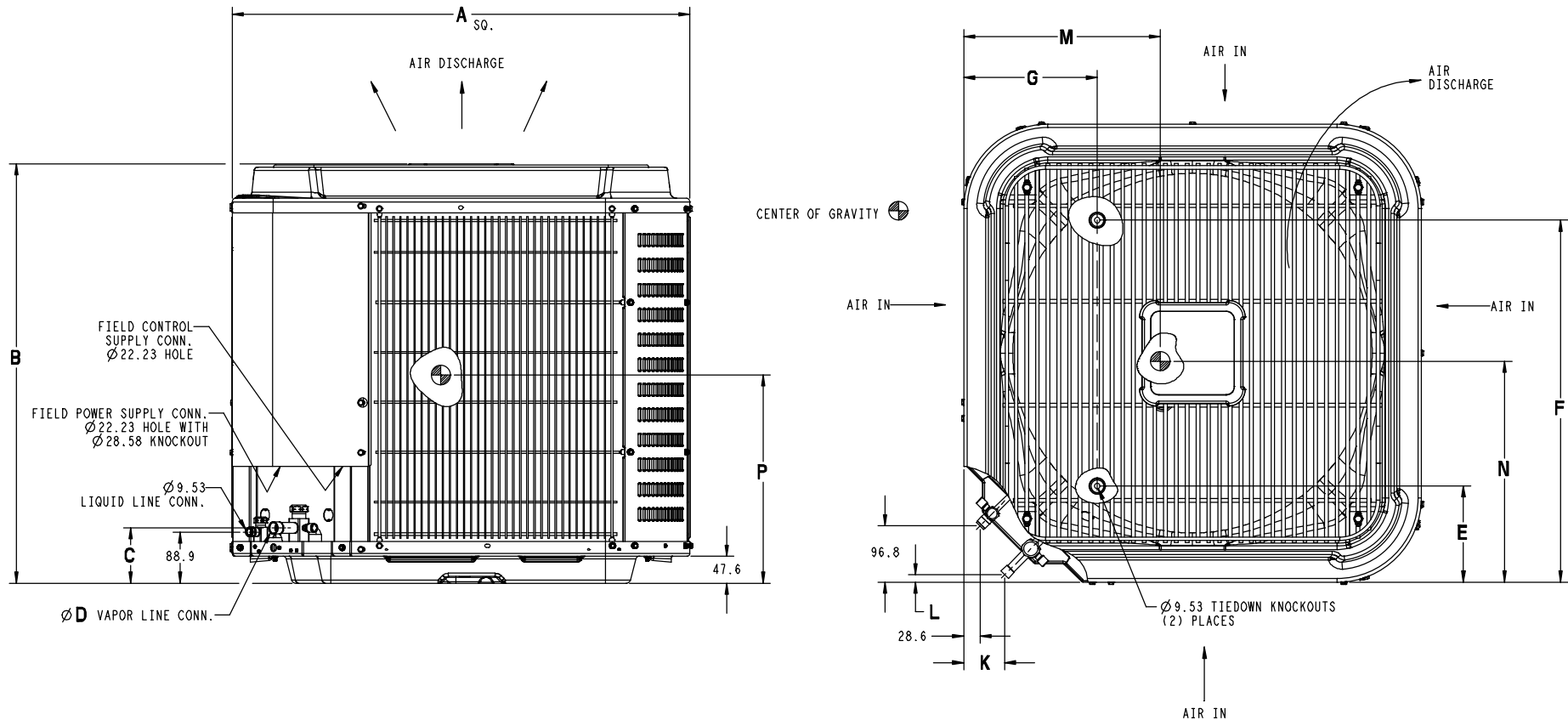
| OUTDOOR UNIT MODEL NUMBER IDENTIFICATION GUIDE (3-phase) | | | | | | | | | | | |
|--|---------------------------|----------|-------------------------|----------|-----------|-----------------|----------|----------|----------|----------|----------|
| Digit Position: | 1 | 2 | 3 | 4 | 5, 6 | 7 | 8 | 9 | 10 | 11 | 12 |
| Example Part Number: | H | 4 | H | 3 | 36 | G | H | D | 1 | 0 | 0 |
| Product Family | REFRIGERANT | | TYPE | | | | | | | | |
| 4 = R-410A | | | | | | | | | | | |
| A = Air Conditioner | | | | | | | | | | | |
| H = Heat Pump | | | | | | | | | | | |
| 3 = 13 SEER | | | | | | | | | | | |
| 4 = 14 SEER | NOMINAL EFFICIENCY | | | | | | | | | | |
| 30 = 30,000 BTUH = 2-1/2 tons | | | | | | | | | | | |
| 36 = 36,000 BTUH = 3 tons | | | | | | | | | | | |
| 42 = 42,000 BTUH = 3-1/2 tons | | | | | | | | | | | |
| 48 = 48,000 BTUH = 4 tons | | | | | | | | | | | |
| 60 = 60,000 BTUH = 5 tons | | | NOMINAL CAPACITY | | | | | | | | |
| A = Standard Grille | | | | | | | | | | | |
| G = Coil Guard Grille | | | | | | FEATURES | | | | | |
| H = 208/230-3-60 | | | | | | | | | | | |
| L = 460-3-60 | | | | | | VOLTAGE | | | | | |
| Sales Code | | | | | | | | | | | |
| Engineering Revision | | | | | | | | | | | |
| Extra Digit | | | | | | | | | | | |
| Extra Digit | | | | | | | | | | | |

| ACCESSORIES PART NUMBER IDENTIFICATION GUIDE | | | | | | | | | |
|--|----------------------|----------|---------------------|----------|----------|--------------------|-----------|-----------|--|
| Digit Position: | 1 | 2 | 3 | 4 | 5 | 6, 7 | 8, 9 | 10, 11 | |
| Example Part Number: | N | A | S | A | 0 | 01 | 01 | CH | |
| N = Non-Branded | BRANDING | | | | | | | | |
| A = Accessory | PRODUCT GROUP | | | | | | | | |
| S = Split System (AC & HP) | | | KIT USAGE | | | | | | |
| A = Original | | | | | | | | | |
| B = 2nd Generation | | | MAJOR SERIES | | | | | | |
| 0 = Generic or Not Applicable | | | | | | | | | |
| 2 = R-22 | | | | | | | | | |
| 4 = R-410A | | | | | | REFRIGERANT | | | |
| Product Identifier Number | | | | | | | | | |
| Package Quantity | | | | | | | | | |
| Type of Kit (Example: CH = Crankcase Heater) | | | | | | | | | |



Dimensions Inches (English)

| Model * = H or L | Dimensions Inches (English) | | | | | | | | | | | | Minimum Mounting Pad Size | Crated Dimensions h x w x d |
|---------------------|-----------------------------|---------|-------|-----|--------|----------|-------|---------|-----|--------|--------|--------|---------------------------|--------------------------------|
| | A | B | C | D | E | F | G | K | L | M | N | P | | |
| H4H330GHE | 31-3/16 | 28-9/16 | 3-3/4 | 3/4 | 6-9/16 | 24-11/16 | 9-1/8 | 2-13/16 | 1/2 | 15-1/2 | 14-3/4 | 12-1/2 | 31-1/2 x 31-1/2 | 35-15/16 x 35-1/2 x 32-5/16 |
| H4H336G* E | 31-3/16 | 32 | 3-3/4 | 3/4 | 6-9/16 | 24-11/16 | 9-1/8 | 2-13/16 | 1/2 | 15 | 15-1/2 | 14 | 31-1/2 x 31-1/2 | 39-3/8 x 35-1/2 x 32-5/16 |
| H4H342GHE | 31-3/16 | 28-9/16 | 3-7/8 | 7/8 | 6-9/16 | 24-11/16 | 9-1/8 | 2-15/16 | 5/8 | 15-1/2 | 15-3/4 | 12-1/2 | 31-1/2 x 31-1/2 | 35-15/16 x 35-1/2 x 32-5/16 |
| H4H348G* E | 31-3/16 | 35-3/8 | 3-7/8 | 7/8 | 6-9/16 | 24-11/16 | 9-1/8 | 2-15/16 | 5/8 | 15-3/4 | 16-1/4 | 15 | 31-1/2 x 31-1/2 | 42-3/4 x 35-1/2 x 32-5/16 |
| H4H360G* D | 35 | 29-7/8 | 3-7/8 | 7/8 | 6-9/16 | 28-7/8 | 9-1/8 | 2-15/16 | 5/8 | 16 | 16 | 14 | 35 x 35 | 35-15/16 x 39-1/4 x 36-1/8 |



Specifications subject to change without notice.

| Model * = H or L | Dimensions mm (SI Metric) | | | | | | | | | | | | Minimum Mounting Pad Size | Crated Dimensions h x w x d |
|---------------------|---------------------------|-----|----|----|-----|-----|-----|----|----|-----|-----|-----|---------------------------------|--------------------------------|
| | A | B | C | D | E | F | G | K | L | M | N | P | | |
| H4H330GHE | 792 | 726 | 95 | 19 | 167 | 626 | 232 | 71 | 13 | 394 | 375 | 318 | 800 x 800 | 913 x 902 x 821 |
| H4H336G* E | 792 | 813 | 95 | 19 | 167 | 626 | 232 | 71 | 13 | 381 | 394 | 356 | 800 x 800 | 1000 x 902 x 821 |
| H4H342GHE | 792 | 726 | 98 | 22 | 167 | 626 | 232 | 75 | 16 | 394 | 400 | 318 | 800 x 800 | 913 x 902 x 821 |
| H4H348G* E | 792 | 899 | 98 | 22 | 167 | 626 | 232 | 75 | 16 | 400 | 413 | 381 | 800 x 800 | 1086 x 902 x 821 |
| H4H360G* D | 889 | 760 | 98 | 22 | 167 | 722 | 232 | 75 | 16 | 406 | 406 | 356 | 889 x 889 | 913 x 997 x 918 |

| PHYSICAL DATA | | | | | | |
|--|---|----------------------|----------------------|----------------------|----------------------|--|
| Model Size | 30GHE | 36GHE/GLE | 42GHE | 48GHE/GLE | 60GHD/GLD | |
| Nominal Cooling Capacity (BTU/hr) | 30,000 | 36,000 | 42,000 | 48,000 | 60,000 | |
| Nominal SEER | 13.0 | 13.0 | 13.0 | 13.0 | 13.0 | |
| Sound Rating (dBA)** | 72 | 72 | 75 | 73 | 72 | |
| Piston Size – Outdoor Heating (shipped in liquid service valve) | 55 | 57 | 65 | 65 | — | |
| Piston Size – Indoor Cooling (shipped loose with heat pump) | 67 | 70 | 76 | 80 | — | |
| PSC Fan Motor HP | 1/5 | 1/5 | 1/10 | 1/4 | 1/4 | |
| Fan RPM | 825 | 825 | 815 | 820 | 802 | |
| Fan CFM | 3350 | 3350 | 2600 | 3520 | 4000 | |
| Coil Face Area ft ² (m ²) | 15.14 (1.41) | 17.25 (1.60) | 15.14 (1.41) | 19.40 (1.80) | 17.60 (1.64) | |
| Coil Rows – fins per inch | 1–20 | 1–20 | 2–20 | 2–20 | 2–20 | |
| Low Pressure Switch | Open Pressure (psig) Close Pressure (psig) | 23 ± 5 55 ± 5 | 23 ± 5 55 ± 5 | 23 ± 5 55 ± 5 | 23 ± 5 55 ± 5 | |
| High Pressure Switch | Open Pressure (psig) Close Pressure (psig) | 670 ± 10 470 ± 25 | 670 ± 10 470 ± 25 | 670 ± 10 470 ± 25 | 670 ± 10 470 ± 25 | |
| Liquid Line Connection Size in. (mm) | 3/8 (10) | 3/8 (10) | 3/8 (10) | 3/8 (10) | 3/8 (10) | |
| Vapor Line Connection Size in. (mm) | 3/4 (19) | 3/4 (19) | 7/8 (22) | 7/8 (22) | 7/8 (22) | |
| Recommended Line Set Liquid Tube Diameter in. (mm) | 3/8 (10) | 3/8 (10) | 3/8 (10) | 3/8 (10) | 3/8 (10) | |
| Recommended Line Set Vapor Tube Diameter in. (mm)* | 3/4 (19)* | 3/4 (19)* | 7/8 (22)* | 7/8 (22)* | 1–1/8 (29)* | |
| *Recommended Vapor Tube Line size is for standard installations. These recommendations may not apply to “Long Line” installations. When the total equivalent line length exceeds 80 feet (24.4m) or there is more than 20 feet (6.1m) vertical separation between indoor and outdoor units, consult the Long Line Application Guideline document before purchasing/installing line sets. | | | | | | |
| Factory Charge R-410A lbs. (kg) | 6.40 (2.90) | 6.34 (2.88) | 8.88 (4.03) | 10.41 (4.72) | 11.00 (4.99) | |
| Required Subcooling ° F (° C) | 10 (6) | 10 (6) | 10 (6) | 10 (6) | 12 (7) | |
| Weight, shipping lbs. (kg) | 180 (82) | 178 (81) | 229 (104) | 251 (114) | 293 (133) | |
| Weight, operating lbs. (kg) | 146 (66) | 152 (69) | 193 (88) | 216 (98) | 252 (114) | |

| ELECTRICAL DATA | | | | | | | | |
|---|---------------|---------------|--------------|---------------|---------------|--------------|----------------|--------------|
| Model Size | 30GHE | 36GHE | 36GLE | 42GHE | 48GHE | 48GLE | 60GHD | 60GLD |
| Supply Voltage, 3-phase 60 Hz. | 208/230 | 208/230 | 460 | 208/230 | 208/230 | 460 | 208/230 | 460 |
| Acceptable Voltage Range, min-max | 197-253 | 197-253 | 414-506 | 197-253 | 197-253 | 414-506 | 197-253 | 414-506 |
| Minimum Circuit Ampacity – MCA (amps) | 13.60 | 14.10 | 7.90 | 17.80 | 18.50 | 9.00 | 21.10 | 10.30 |
| Maximum OverCurrent Protective device – MOCP (amps) | 20 | 20 | 10 | 30 | 30 | 10 | 30 | 15 |
| Compressor RLA (Rated Load Amps) LRA (Locked Rotor Amps) | 10.00 71.0 | 10.40 73.0 | 5.80 38.0 | 13.60 83.1 | 13.70 83.1 | 6.20 41.0 | 15.90 110.0 | 7.80 52.0 |
| Fan Motor FLA (Full Load Amps) | 1.1 | 1.1 | 0.6 | 0.8 | 1.4 | 1.2 | 1.2 | 0.6 |

**Sound Rating tested in accordance with ARI Standard 270-95 (not listed with AHRI).

R-410A COOLING CAPACITY LOSS FOR VARIOUS LINE LENGTHS & TUBE DIAMETERS

| Model Size | Liquid Line in.(mm) | Acceptable Vapor Line Sizes in. (mm) | Cooling Capacity Loss (%) at Total Equivalent Line Length, feet (m) Refer to Long Line Application Guideline to calculate equivalent length | | | | | | | | | | |
|------------|---------------------|--------------------------------------|--|---------------|---------------|--|----------------|----------------|----------------|----------------|--------------|----------------|----------------|
| | | | Standard Application | | | Long Line Application (Requires Accessories) | | | | | | | |
| | | | 25' (7.6) | 50' (15.2) | 80' (24.4) | 81' (24.7) | 100' (30.5) | 125' (38.1) | 150' (45.7) | 175' (53.3) | 200' (61) | 225' (68.6) | 250' (76.2) |
| 30 | 3/8 (10) | 5/8 (16) | 1 | 2 | 3 | 3 | 3 | 4 | 5 | 6 | 7 | 8 | 9 |
| | | 3/4 (19) | 0 | 0 | 1 | 1 | 1 | 1 | 2 | 2 | 2 | 3 | 3 |
| | | 7/8 (22) | 0 | 0 | 0 | 0 | 0 | 1 | 1 | 1 | 1 | 1 | 1 |
| 36 | | 5/8 (16) | 1 | 2 | 4 | 4 | 5 | 6 | 7 | 9 | 10 | 11 | 13 |
| | | 3/4 (19) | 0 | 0 | 1 | 1 | 1 | 2 | 2 | 3 | 3 | 4 | 4 |
| | | 7/8 (22) | 0 | 0 | 0 | 0 | 0 | 1 | 1 | 1 | 1 | 2 | 2 |
| 42 | | 3/4 (19) | 0 | 1 | 2 | 2 | 2 | 3 | 4 | 4 | 5 | 6 | 6 |
| | | 7/8 (22) | 0 | 0 | 1 | 1 | 1 | 1 | 2 | 2 | 2 | 3 | 3 |
| 48 | | 3/4 (19) | 0 | 1 | 2 | 2 | 3 | 4 | 5 | 5 | 6 | 7 | 8 |
| | 7/8 (22) | 0 | 0 | 1 | 1 | 1 | 2 | 2 | 2 | 3 | 3 | 4 | |
| 60 | 3/4 (19) | 1 | 2 | 4 | 4 | 5 | 6 | 7 | 9 | 10 | 11 | 12 | |
| | 7/8 (22) | 0 | 1 | 2 | 2 | 2 | 3 | 4 | 4 | 5 | 5 | 6 | |
| | 1-1/8 (29) | 0 | 0 | 0 | 0 | 1 | 1 | 1 | 1 | 1 | 1 | 2 | |

* Applications are considered "Long Line" if the total equivalent tubing length exceeds 80 feet (24.4m) or there is more than 20 foot (6.1m) vertical separation between indoor and outdoor units. These applications require additional accessories and system modifications for reliable system operation.

Applications in shaded area may have height restrictions that limit allowable total equivalent length when outdoor unit is below indoor unit.

COOLING & HEATING PERFORMANCE FOR COMBINATION RATINGS Indoor Models

For complete ratings information, use the AHRI website directory search: www.AHRIdirectory.org. New ratings may be listed online before Specification Sheets are updated.

| Outdoor Model | Indoor Model (‡ tested combo) | Furnace Model | Factory Installed | Cool 95° F (35° C) | | | SEER | | | Heat 47° F (8.3° C) | | Heat 17° F (-8.3° C) | | HSPF | |
|---------------|----------------------------------|----------------|-------------------|--------------------|-------|-------|---------|----------------|----------------|---------------------|--------|----------------------|--------|------|-----|
| | | | | BTU/hr | S / T | EER | factory | with field TDR | with field TXV | BTU/hr | COP | BTU/hr | COP | | |
| H4H330GHE | ‡FS(M,U)4P30**A* | - | TDR | 30,000 | 0.76 | 11.00 | 13.00 | | | | 30,000 | 3.52 | 18,500 | 2.34 | 7.7 |
| | ED*4X30B** | *8MV*0701412** | TDR&TXV | 30,000 | 0.76 | 11.00 | 13.00 | | | | 29,200 | 3.42 | 18,000 | 2.32 | 7.7 |
| | ED*4X30B** | MV08B15**B* | TDR&TXV | 30,000 | 0.76 | 11.50 | 13.50 | | | | 29,000 | 3.50 | 18,000 | 2.36 | 7.7 |
| | ED*4X30F** | *8MPV075 | TDR&TXV | 30,000 | 0.76 | 11.00 | 13.20 | | | | 29,600 | 3.50 | 18,300 | 2.36 | 7.7 |
| | ED*4X30F** | *8MV*0901716** | TDR&TXV | 30,000 | 0.76 | 11.50 | 13.50 | | | | 29,200 | 3.44 | 17,900 | 2.34 | 7.7 |
| | ED*4X30F** | *8MX*0701716** | TDR&TXV | 30,000 | 0.76 | 11.00 | 13.20 | | | | 29,200 | 3.46 | 18,200 | 2.34 | 7.7 |
| | ED*4X30F** | *9MPV050 | TDR&TXV | 30,000 | 0.76 | 11.00 | 13.00 | | | | 29,600 | 3.42 | 18,300 | 2.30 | 7.7 |
| | ED*4X30F** | *9MPV075 | TDR&TXV | 30,000 | 0.76 | 11.00 | 13.00 | | | | 29,600 | 3.44 | 18,300 | 2.32 | 7.7 |
| | ED*4X30F** | *9MVX040 | TDR&TXV | 30,000 | 0.76 | 11.00 | 13.00 | | | | 29,600 | 3.42 | 18,300 | 2.30 | 7.7 |
| | ED*4X30F** | *9MVX060 | TDR&TXV | 30,000 | 0.76 | 11.00 | 13.00 | | | | 29,600 | 3.46 | 18,400 | 2.34 | 7.7 |
| | ED*4X30F** | MV12F19**B* | TDR&TXV | 30,000 | 0.76 | 11.50 | 13.50 | | | | 29,400 | 3.52 | 17,900 | 2.38 | 7.7 |
| | ED*4X30F** | OLV098A12A | TDR&TXV | 30,000 | 0.76 | 11.00 | 13.00 | | | | 30,000 | 3.44 | 18,100 | 2.34 | 7.7 |
| | ED*4X30F** | OLV112A16A | TDR&TXV | 30,000 | 0.76 | 11.00 | 13.00 | | | | 30,000 | 3.50 | 18,200 | 2.36 | 7.7 |
| | ED*4X30F** | OMV098J12A | TDR&TXV | 30,000 | 0.76 | 11.00 | 13.00 | | | | 30,000 | 3.44 | 18,200 | 2.32 | 7.7 |
| | ED*4X30F** | OMV112K14A | TDR&TXV | 30,000 | 0.76 | 11.00 | 13.00 | | | | 30,000 | 3.48 | 18,000 | 2.36 | 7.7 |
| | ED*4X36B** | *8MV*0701412** | TDR&TXV | 30,000 | 0.76 | 11.00 | 13.20 | | | | 29,200 | 3.44 | 18,000 | 2.32 | 7.7 |
| | ED*4X36B** | MV08B15**B* | TDR&TXV | 30,000 | 0.76 | 11.50 | 13.50 | | | | 29,400 | 3.52 | 18,000 | 2.38 | 7.7 |
| | ED*4X36F** | *8MPV075 | TDR&TXV | 30,000 | 0.76 | 11.00 | 13.20 | | | | 29,400 | 3.54 | 18,300 | 2.36 | 7.8 |
| | ED*4X36F** | *8MV*0901716** | TDR&TXV | 30,000 | 0.76 | 11.50 | 13.50 | | | | 29,200 | 3.46 | 17,900 | 2.36 | 7.7 |
| | ED*4X36F** | *8MX*0701716** | TDR&TXV | 30,000 | 0.76 | 11.00 | 13.20 | | | | 29,200 | 3.48 | 18,300 | 2.34 | 7.7 |
| | ED*4X36F** | *9MPV050 | TDR&TXV | 30,000 | 0.76 | 11.00 | 13.00 | | | | 29,400 | 3.44 | 18,300 | 2.32 | 7.7 |
| | ED*4X36F** | *9MPV075 | TDR&TXV | 30,000 | 0.76 | 11.00 | 13.00 | | | | 29,400 | 3.46 | 18,400 | 2.32 | 7.7 |
| | ED*4X36F** | *9MVX040 | TDR&TXV | 30,000 | 0.76 | 11.00 | 13.00 | | | | 29,400 | 3.44 | 18,400 | 2.32 | 7.7 |
| | ED*4X36F** | *9MVX060 | TDR&TXV | 30,000 | 0.76 | 11.00 | 13.00 | | | | 29,400 | 3.50 | 18,400 | 2.34 | 7.7 |
| | ED*4X36F** | MV12F19**B* | TDR&TXV | 30,000 | 0.76 | 11.50 | 13.50 | | | | 29,400 | 3.54 | 17,900 | 2.40 | 7.8 |
| | ED*4X36F** | NOMV106D12* | TDR&TXV | 29,800 | 0.76 | 11.00 | 13.20 | | | | 29,000 | 3.42 | 17,900 | 2.32 | 7.7 |
| | ED*4X36F** | OLV098A12A | TDR&TXV | 30,000 | 0.76 | 11.00 | 13.00 | | | | 30,000 | 3.46 | 18,100 | 2.34 | 7.7 |
| | ED*4X36F** | OLV112A16A | TDR&TXV | 30,000 | 0.76 | 11.00 | 13.00 | | | | 30,000 | 3.52 | 18,200 | 2.36 | 7.7 |
| | ED*4X36F** | OMV098J12A | TDR&TXV | 30,000 | 0.76 | 11.00 | 13.00 | | | | 30,000 | 3.46 | 18,200 | 2.34 | 7.7 |
| | ED*4X36F** | OMV112K14A | TDR&TXV | 30,000 | 0.76 | 11.00 | 13.00 | | | | 30,000 | 3.52 | 18,000 | 2.38 | 7.7 |
| | ED*4X36J** | *8MPV100 | TDR&TXV | 30,000 | 0.76 | 11.50 | 13.50 | | | | 29,400 | 3.62 | 18,200 | 2.42 | 7.8 |
| | ED*4X36J** | *8MPV125 | TDR&TXV | 30,000 | 0.76 | 11.50 | 13.50 | | | | 29,400 | 3.62 | 18,200 | 2.42 | 7.8 |
| | ED*4X36J** | *8MV*1102120** | TDR&TXV | 30,000 | 0.76 | 11.50 | 13.50 | | | | 29,200 | 3.50 | 17,900 | 2.36 | 7.7 |
| | ED*4X36J** | *8MX*0902116** | TDR&TXV | 30,000 | 0.76 | 11.50 | 13.50 | | | | 29,200 | 3.56 | 18,200 | 2.38 | 7.8 |
| | ED*4X36J** | *9MPV100 | TDR&TXV | 30,000 | 0.76 | 11.50 | 13.50 | | | | 29,400 | 3.58 | 18,300 | 2.40 | 7.8 |
| | ED*4X36J** | *9MVX080 | TDR&TXV | 30,000 | 0.76 | 11.50 | 13.50 | | | | 29,400 | 3.60 | 18,400 | 2.40 | 7.8 |
| | ED*4X36J** | OLV112A16A | TDR&TXV | 30,000 | 0.76 | 11.00 | 13.00 | | | | 30,000 | 3.54 | 18,100 | 2.38 | 7.7 |
| | EHD4X30A** | *8MPV050 | TDR&TXV | 30,000 | 0.76 | 11.00 | 13.00 | | | | 29,400 | 3.44 | 18,700 | 2.30 | 7.7 |
| | EHD4X30A** | *8MPV075 | TDR&TXV | 30,000 | 0.76 | 11.00 | 13.00 | | | | 29,400 | 3.48 | 18,300 | 2.34 | 7.7 |
| | EHD4X30A** | *8MPV100 | TDR&TXV | 30,000 | 0.76 | 11.00 | 13.20 | | | | 29,400 | 3.52 | 18,100 | 2.36 | 7.7 |
| EHD4X30A** | *8MPV125 | TDR&TXV | 30,000 | 0.76 | 11.50 | 13.50 | | | | 29,400 | 3.52 | 18,100 | 2.36 | 7.7 | |
| EHD4X30A** | *8MV*0701412** | TDR&TXV | 30,000 | 0.76 | 11.00 | 13.50 | | | | 29,200 | 3.44 | 18,100 | 2.34 | 7.7 | |
| EHD4X30A** | *8MV*0901716** | TDR&TXV | 30,000 | 0.76 | 11.50 | 13.50 | | | | 29,200 | 3.46 | 18,000 | 2.34 | 7.7 | |

2010 ENERGY STAR compliance for combinations with all three: SEER 14.00 or higher and EER 11.00 or higher and HSPF 8.2 or higher.
 † For coils not listed with a matching furnace or blower, coil rating applies with any indoor blower device.

COOLING & HEATING PERFORMANCE FOR COMBINATION RATINGS (continued) Indoor Models

For complete ratings information, use the AHRI website directory search: www.AHRIdirectory.org. New ratings may be listed online before Specification Sheets are updated.

| Outdoor Model | Indoor Model (‡ tested combo) | Furnace Model | Factory Installed | Cool 95° F (35° C) | | | SEER | | | Heat 47° F (8.3° C) | | Heat 17° F (-8.3° C) | | HSPF | |
|--------------------------|----------------------------------|----------------|-------------------|--------------------|-------|-------|---------|----------------|----------------|---------------------|--------|----------------------|--------|------|-----|
| | | | | BTU/hr | S / T | EER | factory | with field TDR | with field TXV | BTU/hr | COP | BTU/hr | COP | | |
| H4H330GHE (continued) | EHD4X30A** | *8MV*1102120** | TDR&TXV | 30,000 | 0.76 | 11.50 | 13.50 | | | | 29,200 | 3.46 | 18,000 | 2.34 | 7.7 |
| | EHD4X30A** | *8MV*1352422** | TDR&TXV | 30,000 | 0.76 | 11.50 | 13.50 | | | | 29,200 | 3.48 | 18,000 | 2.36 | 7.7 |
| | EHD4X30A** | *8MX*0701716** | TDR&TXV | 30,000 | 0.76 | 11.00 | 13.20 | | | | 29,200 | 3.44 | 18,200 | 2.32 | 7.7 |
| | EHD4X30A** | *8MX*0902116** | TDR&TXV | 30,000 | 0.76 | 11.50 | 13.20 | | | | 29,200 | 3.46 | 18,100 | 2.34 | 7.7 |
| | EHD4X30A** | *9MPV050 | TDR&TXV | 30,000 | 0.76 | 11.00 | 13.00 | | | | 29,400 | 3.40 | 18,300 | 2.30 | 7.7 |
| | EHD4X30A** | *9MPV075 | TDR&TXV | 30,000 | 0.76 | 11.00 | 13.00 | | | | 29,400 | 3.42 | 18,300 | 2.30 | 7.7 |
| | EHD4X30A** | *9MPV100 | TDR&TXV | 30,000 | 0.76 | 11.00 | 13.00 | | | | 29,400 | 3.48 | 18,200 | 2.34 | 7.7 |
| | EHD4X30A** | *9MPV125 | TDR&TXV | 30,000 | 0.76 | 11.00 | 13.20 | | | | 29,400 | 3.48 | 18,100 | 2.36 | 7.7 |
| | EHD4X30A** | *9MVX040 | TDR&TXV | 30,000 | 0.76 | 11.00 | 13.00 | | | | 29,400 | 3.40 | 18,300 | 2.30 | 7.7 |
| | EHD4X30A** | *9MVX060 | TDR&TXV | 30,000 | 0.76 | 11.00 | 13.00 | | | | 29,400 | 3.44 | 18,400 | 2.32 | 7.7 |
| | EHD4X30A** | *9MVX080 | TDR&TXV | 30,000 | 0.76 | 11.00 | 13.20 | | | | 29,400 | 3.52 | 18,300 | 2.36 | 7.7 |
| | EHD4X30A** | *9MVX100 | TDR&TXV | 30,000 | 0.76 | 11.00 | 13.20 | | | | 29,400 | 3.48 | 18,100 | 2.34 | 7.7 |
| | EHD4X30A** | MV08B15**B* | TDR&TXV | 30,000 | 0.76 | 11.50 | 13.50 | | | | 29,400 | 3.52 | 18,000 | 2.38 | 7.7 |
| | EHD4X30A** | MV12F19**B* | TDR&TXV | 30,000 | 0.76 | 11.50 | 13.50 | | | | 29,400 | 3.54 | 18,000 | 2.38 | 7.8 |
| | EHD4X30A** | OLV112A16A | TDR&TXV | 30,000 | 0.76 | 11.00 | 13.00 | | | | 30,000 | 3.50 | 18,300 | 2.36 | 7.7 |
| | EHD4X30A** | OMV098J12A | TDR&TXV | 30,000 | 0.76 | 11.00 | 13.00 | | | | 30,000 | 3.46 | 18,300 | 2.32 | 7.7 |
| | EHD4X30A** | OMV112K14A | TDR&TXV | 30,000 | 0.76 | 11.00 | 13.00 | | | | 30,000 | 3.50 | 18,100 | 2.36 | 7.7 |
| | EHD4X36A** | *8MPV050 | TDR&TXV | 30,000 | 0.76 | 11.00 | 13.00 | | | | 30,000 | 3.56 | 18,800 | 2.36 | 7.8 |
| | EHD4X36A** | *8MPV075 | TDR&TXV | 30,000 | 0.76 | 11.50 | 13.50 | | | | 29,600 | 3.64 | 18,500 | 2.40 | 7.8 |
| | EHD4X36A** | *8MPV100 | TDR&TXV | 30,000 | 0.76 | 11.50 | 13.50 | | | | 29,600 | 3.66 | 18,300 | 2.44 | 8.0 |
| | EHD4X36A** | *8MPV125 | TDR&TXV | 30,000 | 0.76 | 11.50 | 13.50 | | | | 29,600 | 3.68 | 18,300 | 2.44 | 8.0 |
| | EHD4X36A** | *8MV*0701412** | TDR&TXV | 30,000 | 0.76 | 11.50 | 13.50 | | | | 29,200 | 3.54 | 18,100 | 2.38 | 7.7 |
| | EHD4X36A** | *8MV*0901716** | TDR&TXV | 30,000 | 0.76 | 11.50 | 13.50 | | | | 29,200 | 3.56 | 18,000 | 2.38 | 7.7 |
| | EHD4X36A** | *8MV*1102120** | TDR&TXV | 30,000 | 0.76 | 11.50 | 13.50 | | | | 29,200 | 3.58 | 18,100 | 2.40 | 7.7 |
| | EHD4X36A** | *8MV*1352422** | TDR&TXV | 30,000 | 0.76 | 11.50 | 13.50 | | | | 29,200 | 3.58 | 18,000 | 2.40 | 7.8 |
| | EHD4X36A** | *8MX*0701716** | TDR&TXV | 30,000 | 0.76 | 11.50 | 13.50 | | | | 29,200 | 3.58 | 18,400 | 2.38 | 7.8 |
| | EHD4X36A** | *8MX*0902116** | TDR&TXV | 30,000 | 0.76 | 11.50 | 13.50 | | | | 29,200 | 3.62 | 18,300 | 2.40 | 7.8 |
| | EHD4X36A** | *9MPV050 | TDR&TXV | 30,000 | 0.76 | 11.00 | 13.00 | | | | 29,600 | 3.54 | 18,500 | 2.36 | 7.8 |
| | EHD4X36A** | *9MPV075 | TDR&TXV | 30,000 | 0.76 | 11.00 | 13.00 | | | | 29,600 | 3.56 | 18,500 | 2.36 | 7.8 |
| | EHD4X36A** | *9MPV100 | TDR&TXV | 30,000 | 0.76 | 11.50 | 13.50 | | | | 29,600 | 3.64 | 18,400 | 2.42 | 7.8 |
| | EHD4X36A** | *9MPV125 | TDR&TXV | 30,000 | 0.76 | 11.50 | 13.50 | | | | 29,600 | 3.66 | 18,300 | 2.42 | 7.8 |
| | EHD4X36A** | *9MVX040 | TDR&TXV | 30,000 | 0.76 | 11.00 | 13.00 | | | | 29,600 | 3.54 | 18,500 | 2.36 | 7.8 |
| | EHD4X36A** | *9MVX060 | TDR&TXV | 30,000 | 0.76 | 11.00 | 13.20 | | | | 29,600 | 3.58 | 18,500 | 2.38 | 7.8 |
| | EHD4X36A** | *9MVX080 | TDR&TXV | 30,000 | 0.76 | 11.50 | 13.50 | | | | 29,600 | 3.68 | 18,500 | 2.42 | 8.0 |
| | EHD4X36A** | *9MVX100 | TDR&TXV | 30,000 | 0.76 | 11.50 | 13.50 | | | | 29,600 | 3.62 | 18,300 | 2.42 | 7.8 |
| | EHD4X36A** | MV08B15**B* | TDR&TXV | 30,000 | 0.76 | 11.50 | 13.50 | | | | 29,400 | 3.62 | 18,100 | 2.42 | 7.8 |
| | EHD4X36A** | MV12F19**B* | TDR&TXV | 30,000 | 0.76 | 11.50 | 14.00 | | | | 29,400 | 3.64 | 18,000 | 2.44 | 7.8 |
| | EHD4X36A** | NOMV106D12* | TDR&TXV | 30,000 | 0.76 | 11.50 | 13.50 | | | | 29,000 | 3.50 | 18,000 | 2.36 | 7.7 |
| | EHD4X36A** | OLV098A12A | TDR&TXV | 30,000 | 0.76 | 11.00 | 13.00 | | | | 30,000 | 3.56 | 18,200 | 2.38 | 7.7 |
| | EHD4X36A** | OLV112A16A | TDR&TXV | 30,000 | 0.76 | 11.50 | 13.50 | | | | 30,000 | 3.62 | 18,300 | 2.40 | 7.7 |
| EHD4X36A** | OMV098J12A | TDR&TXV | 30,000 | 0.76 | 11.00 | 13.00 | | | | 30,000 | 3.56 | 18,300 | 2.38 | 7.7 | |
| EHD4X36A** | OMV112K14A | TDR&TXV | 30,000 | 0.76 | 11.50 | 13.50 | | | | 30,000 | 3.60 | 18,100 | 2.40 | 7.7 | |
| EHD4X36A** | EN(A,D)4X30*14** | *8MV*0701412** | TDR&TXV | 30,000 | 0.76 | 11.00 | 13.00 | | | | 29,200 | 3.42 | 18,100 | 2.32 | 7.7 |

2010 ENERGY STAR compliance for combinations with all three: SEER 14.00 or higher and EER 11.00 or higher and HSPF 8.2 or higher.

† For coils not listed with a matching furnace or blower, coil rating applies with any indoor blower device.

- continued on next page -

COOLING & HEATING PERFORMANCE FOR COMBINATION RATINGS (continued) Indoor Models

For complete ratings information, use the AHRI website directory search: www.AHRIdirectory.org. New ratings may be listed online before Specification Sheets are updated.

| Outdoor Model | Indoor Model (‡ tested combo) | Furnace Model | Factory Installed | Cool 95° F (35° C) | | | SEER | | | Heat 47° F (8.3° C) | | Heat 17° F (-8.3° C) | | HSPF | |
|--------------------------|----------------------------------|----------------|-------------------|--------------------|-------|-------|---------|----------------|----------------|---------------------|--------|----------------------|--------|------|-----|
| | | | | BTU/hr | S / T | EER | factory | with field TDR | with field TXV | BTU/hr | COP | BTU/hr | COP | | |
| H4H330GHE (continued) | EN(A,D)4X30*17** | *8MV*0901716** | TDR&TXV | 30,000 | 0.76 | 11.50 | 13.50 | | | | 29,200 | 3.46 | 17,900 | 2.34 | 7.7 |
| | EN(A,D)4X30*17** | *8MX*0701716** | TDR&TXV | 30,000 | 0.76 | 11.00 | 13.20 | | | | 29,200 | 3.46 | 18,200 | 2.34 | 7.7 |
| | EN(A,D)4X30*17** | *9MPV075 | TDR&TXV | 30,000 | 0.76 | 11.00 | 13.00 | | | | 30,000 | 3.44 | 18,300 | 2.32 | 7.7 |
| | EN(A,D)4X30*17** | *9MVX060 | TDR&TXV | 30,000 | 0.76 | 11.00 | 13.00 | | | | 30,000 | 3.46 | 18,400 | 2.34 | 7.7 |
| | EN(A,D)4X30*17** | OLV098A12A | TDR&TXV | 30,000 | 0.76 | 11.00 | 13.00 | | | | 30,000 | 3.44 | 18,100 | 2.34 | 7.7 |
| | EN(A,D)4X30*17** | OMV098J12A | TDR&TXV | 30,000 | 0.76 | 11.00 | 13.00 | | | | 30,000 | 3.44 | 18,200 | 2.32 | 7.7 |
| | EN(A,D)4X30*17** | OMV112K14A | TDR&TXV | 30,000 | 0.76 | 11.00 | 13.00 | | | | 30,000 | 3.48 | 18,000 | 2.36 | 7.7 |
| | EN(A,D)4X36*21** | *8MV*1102120** | TDR&TXV | 30,000 | 0.76 | 11.50 | 13.50 | | | | 29,200 | 3.46 | 18,000 | 2.34 | 7.7 |
| | EN(A,D)4X36*21** | *8MX*0902116** | TDR&TXV | 30,000 | 0.76 | 11.00 | 13.20 | | | | 29,200 | 3.48 | 18,100 | 2.36 | 7.7 |
| | EN(A,D)4X36*21** | *9MPV075 | TDR&TXV | 30,000 | 0.76 | 11.00 | 13.00 | | | | 30,000 | 3.44 | 18,300 | 2.32 | 7.7 |
| | EN(A,D)4X36*21** | *9MPV100 | TDR&TXV | 30,000 | 0.76 | 11.00 | 13.00 | | | | 30,000 | 3.52 | 18,200 | 2.36 | 7.7 |
| | EN(A,D)4X36*21** | *9MVX040 | TDR&TXV | 30,000 | 0.76 | 11.00 | 13.00 | | | | 30,000 | 3.42 | 18,300 | 2.32 | 7.7 |
| | EN(A,D)4X36*21** | *9MVX060 | TDR&TXV | 30,000 | 0.76 | 11.00 | 13.00 | | | | 30,000 | 3.48 | 18,400 | 2.34 | 7.7 |
| | EN(A,D)4X36*21** | *9MVX080 | TDR&TXV | 30,000 | 0.76 | 11.00 | 13.00 | | | | 30,000 | 3.56 | 18,300 | 2.38 | 7.7 |
| | EN(A,D)4X36*21** | OLV098A12A | TDR&TXV | 30,000 | 0.76 | 11.00 | 13.00 | | | | 30,000 | 3.44 | 18,100 | 2.34 | 7.7 |
| | EN(A,D)4X36*21** | OLV112A16A | TDR&TXV | 30,000 | 0.76 | 11.00 | 13.00 | | | | 30,000 | 3.50 | 18,200 | 2.36 | 7.7 |
| | EN(A,D)4X36*21** | OMV098J12A | TDR&TXV | 30,000 | 0.76 | 11.00 | 13.00 | | | | 30,000 | 3.44 | 18,200 | 2.34 | 7.7 |
| | EN(A,D)4X36*21** | OMV112K14A | TDR&TXV | 30,000 | 0.76 | 11.00 | 13.00 | | | | 30,000 | 3.50 | 18,000 | 2.36 | 7.7 |
| | EN(A,D,W)4X36*17** | *8MV*0901716** | TDR&TXV | 30,000 | 0.76 | 11.50 | 13.50 | | | | 29,200 | 3.46 | 17,900 | 2.34 | 7.7 |
| | EN(A,D,W)4X36*17** | *8MX*0701716** | TDR&TXV | 30,000 | 0.76 | 11.00 | 13.20 | | | | 29,200 | 3.46 | 18,200 | 2.34 | 7.7 |
| | EN(A,D,W)4X36*17** | *9MPV075 | TDR&TXV | 30,000 | 0.76 | 11.00 | 13.00 | | | | 30,000 | 3.44 | 18,300 | 2.32 | 7.7 |
| | EN(A,D,W)4X36*17** | *9MVX060 | TDR&TXV | 30,000 | 0.76 | 11.00 | 13.00 | | | | 30,000 | 3.46 | 18,400 | 2.34 | 7.7 |
| | EN(A,D,W)4X36*17** | OLV098A12A | TDR&TXV | 30,000 | 0.76 | 11.00 | 13.00 | | | | 30,000 | 3.44 | 18,100 | 2.34 | 7.7 |
| | EN(A,D,W)4X36*17** | OMV098J12A | TDR&TXV | 30,000 | 0.76 | 11.00 | 13.00 | | | | 30,000 | 3.44 | 18,200 | 2.32 | 7.7 |
| | EN(A,D,W)4X36*17** | OMV112K14A | TDR&TXV | 30,000 | 0.76 | 11.00 | 13.00 | | | | 30,000 | 3.48 | 18,000 | 2.36 | 7.7 |
| | ENH4X30*17** | *8MV*0701412** | TDR&TXV | 30,000 | 0.76 | 11.00 | 13.20 | | | | 29,200 | 3.42 | 18,000 | 2.32 | 7.7 |
| | ENH4X30*17** | *8MV*0901716** | TDR&TXV | 30,000 | 0.76 | 11.50 | 13.50 | | | | 29,200 | 3.46 | 17,900 | 2.34 | 7.7 |
| | ENH4X30*17** | *8MV*1102120** | TDR&TXV | 30,000 | 0.76 | 11.50 | 13.50 | | | | 29,200 | 3.46 | 18,000 | 2.34 | 7.7 |
| | ENH4X30*17** | *8MV*1352422** | TDR&TXV | 30,000 | 0.76 | 11.50 | 13.50 | | | | 29,200 | 3.46 | 17,900 | 2.36 | 7.7 |
| | ENH4X30*17** | *8MX*0701716** | TDR&TXV | 30,000 | 0.76 | 11.00 | 13.20 | | | | 29,200 | 3.46 | 18,200 | 2.34 | 7.7 |
| | ENH4X30*17** | *8MX*0902116** | TDR&TXV | 30,000 | 0.76 | 11.50 | 13.50 | | | | 29,200 | 3.48 | 18,100 | 2.36 | 7.7 |
| | ENH4X30*17** | *9MPV075 | TDR&TXV | 30,000 | 0.76 | 11.00 | 13.00 | | | | 30,000 | 3.44 | 18,300 | 2.32 | 7.7 |
| | ENH4X30*17** | *9MVX060 | TDR&TXV | 30,000 | 0.76 | 11.00 | 13.00 | | | | 30,000 | 3.46 | 18,400 | 2.34 | 7.7 |
| ENH4X30*17** | OLV098A12A | TDR&TXV | 30,000 | 0.76 | 11.00 | 13.00 | | | | 30,000 | 3.44 | 18,100 | 2.34 | 7.7 | |
| ENH4X30*17** | OLV112A16A | TDR&TXV | 30,000 | 0.76 | 11.00 | 13.00 | | | | 30,000 | 3.50 | 18,200 | 2.36 | 7.7 | |
| ENH4X30*17** | OMV098J12A | TDR&TXV | 30,000 | 0.76 | 11.00 | 13.00 | | | | 30,000 | 3.44 | 18,200 | 2.32 | 7.7 | |
| ENH4X30*17** | OMV112K14A | TDR&TXV | 30,000 | 0.76 | 11.00 | 13.00 | | | | 30,000 | 3.48 | 18,000 | 2.36 | 7.7 | |
| ENH4X36*17** | *8MV*0701412** | TDR&TXV | 30,000 | 0.76 | 11.00 | 13.20 | | | | 29,200 | 3.42 | 18,000 | 2.32 | 7.7 | |
| ENH4X36*17** | *8MV*0901716** | TDR&TXV | 30,000 | 0.76 | 11.50 | 13.50 | | | | 29,200 | 3.46 | 17,900 | 2.34 | 7.7 | |
| ENH4X36*17** | *8MV*1102120** | TDR&TXV | 30,000 | 0.76 | 11.50 | 13.50 | | | | 29,200 | 3.46 | 18,000 | 2.34 | 7.7 | |
| ENH4X36*17** | *8MV*1352422** | TDR&TXV | 30,000 | 0.76 | 11.50 | 13.50 | | | | 29,200 | 3.46 | 17,900 | 2.36 | 7.7 | |
| ENH4X36*17** | *8MX*0701716** | TDR&TXV | 30,000 | 0.76 | 11.00 | 13.20 | | | | 29,200 | 3.46 | 18,200 | 2.34 | 7.7 | |
| ENH4X36*17** | *8MX*0902116** | TDR&TXV | 30,000 | 0.76 | 11.00 | 13.20 | | | | 29,200 | 3.48 | 18,100 | 2.36 | 7.7 | |

2010 ENERGY STAR compliance for combinations with all three: SEER 14.00 or higher and EER 11.00 or higher and HSPF 8.2 or higher.
 † For coils not listed with a matching furnace or blower, coil rating applies with any indoor blower device.

COOLING & HEATING PERFORMANCE FOR COMBINATION RATINGS (continued) Indoor Models

For complete ratings information, use the AHRI website directory search: www.AHRIdirectory.org. New ratings may be listed online before Specification Sheets are updated.

| Outdoor Model | Indoor Model (‡ tested combo) | Furnace Model | Factory Installed | Cool 95° F (35° C) | | | SEER | | | Heat 47° F (8.3° C) | | Heat 17° F (-8.3° C) | | HSPF | |
|--------------------------|----------------------------------|----------------|-------------------|--------------------|-------|-------|---------|----------------|----------------|---------------------|--------|----------------------|--------|------|-----|
| | | | | BTU/hr | S / T | EER | factory | with field TDR | with field TXV | BTU/hr | COP | BTU/hr | COP | | |
| H4H330GHE (continued) | ENH4X36*17** | *9MPV075 | TDR&TXV | 30,000 | 0.76 | 11.00 | 13.00 | | | | 30,000 | 3.44 | 18,300 | 2.32 | 7.7 |
| | ENH4X36*17** | *9MPV100 | TDR&TXV | 30,000 | 0.76 | 11.00 | 13.00 | | | | 30,000 | 3.50 | 18,200 | 2.36 | 7.7 |
| | ENH4X36*17** | *9MVX060 | TDR&TXV | 30,000 | 0.76 | 11.00 | 13.00 | | | | 30,000 | 3.46 | 18,400 | 2.34 | 7.7 |
| | ENH4X36*17** | *9MVX080 | TDR&TXV | 30,000 | 0.76 | 11.00 | 13.00 | | | | 30,000 | 3.54 | 18,300 | 2.38 | 7.7 |
| | ENH4X36*17** | OLV098A12A | TDR&TXV | 30,000 | 0.76 | 11.00 | 13.00 | | | | 30,000 | 3.44 | 18,100 | 2.34 | 7.7 |
| | ENH4X36*17** | OLV112A16A | TDR&TXV | 30,000 | 0.76 | 11.00 | 13.00 | | | | 30,000 | 3.50 | 18,200 | 2.36 | 7.7 |
| | ENH4X36*17** | OMV098J12A | TDR&TXV | 30,000 | 0.76 | 11.00 | 13.00 | | | | 30,000 | 3.44 | 18,200 | 2.32 | 7.7 |
| | ENH4X36*17** | OMV112K14A | TDR&TXV | 30,000 | 0.76 | 11.00 | 13.00 | | | | 30,000 | 3.48 | 18,000 | 2.36 | 7.7 |
| | FEA4X30**A* | - | TDR&TXV | 30,000 | 0.76 | 11.00 | 13.00 | | | | 30,000 | 3.48 | 18,300 | 2.34 | 7.7 |
| | FEA4X36**A* | - | TDR&TXV | 30,000 | 0.76 | 11.00 | 13.20 | | | | 30,000 | 3.50 | 18,500 | 2.34 | 7.7 |
| | FEM4P30**A* | - | TDR | 30,000 | 0.76 | 11.00 | 13.00 | | | | 30,000 | 3.50 | 18,400 | 2.34 | 7.7 |
| | FEM4P30**A*+TXV | - | TDR | 30,000 | 0.76 | 11.00 | | | | 13.20 | 30,000 | 3.50 | 18,400 | 2.34 | 7.7 |
| | FEM4P36**A* | - | TDR | 30,000 | 0.76 | 11.00 | 13.00 | | | | 30,000 | 3.50 | 18,400 | 2.34 | 7.7 |
| | FEM4P36**A*+TXV | - | TDR | 30,000 | 0.76 | 11.00 | | | | 13.20 | 30,000 | 3.50 | 18,400 | 2.34 | 7.7 |
| | FEM4X30**** | - | TDR&TXV | 30,000 | 0.76 | 11.00 | 13.20 | | | | 29,600 | 3.54 | 18,300 | 2.36 | 7.7 |
| | FEM4X36**** | - | TDR&TXV | 30,000 | 0.76 | 11.00 | 13.20 | | | | 29,200 | 3.62 | 18,700 | 2.38 | 7.8 |
| | FS(M,U)4P30**A*+TXV | - | TDR | 30,000 | 0.76 | 11.00 | | | | 13.20 | 30,000 | 3.50 | 18,600 | 2.34 | 7.7 |
| | FVM4X24**** | - | TDR&TXV | 30,000 | 0.76 | 11.50 | 13.50 | | | | 29,400 | 3.52 | 18,000 | 2.36 | 7.7 |
| | FVM4X36**** | - | TDR&TXV | 30,000 | 0.76 | 11.50 | 13.50 | | | | 29,000 | 3.52 | 17,900 | 2.38 | 7.7 |
| | FVM4X48**** | - | TDR&TXV | 30,000 | 0.76 | 11.50 | 14.00 | | | | 29,400 | 3.70 | 18,000 | 2.46 | 8.0 |
| FXM4X30**A* | - | TDR&TXV | 30,000 | 0.76 | 11.50 | 14.00 | | | | 29,200 | 3.60 | 18,300 | 2.40 | 7.8 | |
| FXM4X36**A* | - | TDR&TXV | 30,000 | 0.76 | 12.00 | 14.50 | | | | 29,000 | 3.70 | 18,100 | 2.44 | 8.2 | |
| H4H336GHE H4H336GLE | ‡FS(M,U)4P36**A* | - | TDR | 34,000 | 0.78 | 11.00 | 13.00 | | | | 34,000 | 3.62 | 21,600 | 2.52 | 7.8 |
| | ED*4X36B** | *8MPV050 | TDR&TXV | 33,800 | 0.78 | 11.00 | 13.00 | | | | 33,000 | 3.44 | 21,400 | 2.42 | 7.8 |
| | ED*4X36B** | *8MX*0451408** | TDR&TXV | 33,800 | 0.78 | 11.00 | 13.00 | | | | 33,600 | 3.50 | 21,400 | 2.44 | 7.8 |
| | ED*4X36B** | † | TXV | 33,800 | 0.78 | 11.00 | | | 13.00 | | 33,800 | 3.50 | 21,800 | 2.44 | 7.8 |
| | ED*4X36B** | *8MV*0701412** | TDR&TXV | 33,800 | 0.78 | 11.50 | 13.50 | | | | 33,600 | 3.54 | 21,000 | 2.48 | 7.8 |
| | ED*4X36B** | MV08B15**B* | TDR&TXV | 33,800 | 0.78 | 11.50 | 13.50 | | | | 33,000 | 3.64 | 21,000 | 2.54 | 7.8 |
| | ED*4X36F** | *9MPV050 | TDR&TXV | 33,800 | 0.78 | 11.00 | 13.00 | | | | 33,000 | 3.50 | 21,400 | 2.44 | 7.8 |
| | ED*4X36F** | *9MPV075 | TDR&TXV | 33,800 | 0.78 | 11.00 | 13.20 | | | | 33,000 | 3.54 | 21,400 | 2.48 | 7.8 |
| | ED*4X36F** | *9MVX040 | TDR&TXV | 33,800 | 0.78 | 11.00 | 13.00 | | | | 33,000 | 3.50 | 21,400 | 2.44 | 7.8 |
| | ED*4X36F** | *9MVX060 | TDR&TXV | 33,800 | 0.78 | 11.00 | 13.20 | | | | 33,000 | 3.56 | 21,400 | 2.48 | 7.8 |
| | ED*4X36F** | OLV098A12A | TDR&TXV | 34,200 | 0.78 | 11.00 | 13.00 | | | | 33,800 | 3.54 | 21,000 | 2.48 | 7.7 |
| | ED*4X36F** | OLV112A16A | TDR&TXV | 34,600 | 0.78 | 11.00 | 13.00 | | | | 34,000 | 3.62 | 21,200 | 2.52 | 7.7 |
| | ED*4X36F** | OMV098J12A | TDR&TXV | 34,400 | 0.78 | 11.00 | 13.00 | | | | 34,000 | 3.56 | 21,200 | 2.50 | 7.7 |
| | ED*4X36F** | † | TXV | 33,800 | 0.78 | 11.00 | | | 13.00 | | 33,800 | 3.54 | 22,000 | 2.46 | 7.8 |
| | ED*4X36F** | *8MPV075 | TDR&TXV | 33,800 | 0.78 | 11.50 | 13.50 | | | | 33,000 | 3.60 | 21,200 | 2.52 | 7.8 |
| | ED*4X36F** | *8MV*0901716** | TDR&TXV | 33,800 | 0.78 | 11.50 | 13.50 | | | | 33,000 | 3.60 | 20,800 | 2.52 | 7.8 |
| | ED*4X36F** | *8MX*0701716** | TDR&TXV | 33,800 | 0.78 | 11.50 | 13.50 | | | | 33,600 | 3.56 | 21,200 | 2.50 | 7.8 |
| | ED*4X36F** | MV12F19**B* | TDR&TXV | 33,800 | 0.78 | 11.50 | 14.00 | | | | 33,000 | 3.68 | 20,800 | 2.58 | 7.8 |
| | ED*4X36F** | NOMV106D12* | TDR&TXV | 33,800 | 0.78 | 11.50 | 13.50 | | | | 33,000 | 3.54 | 20,800 | 2.48 | 7.8 |
| | ED*4X36F** | OMV112K14A | TDR&TXV | 34,600 | 0.78 | 11.50 | 13.50 | | | | 33,800 | 3.60 | 21,000 | 2.52 | 7.7 |
| ED*4X36J** | † | TXV | 33,800 | 0.78 | 11.00 | | | 13.00 | | 34,000 | 3.54 | 22,000 | 2.46 | 7.8 | |

2010 ENERGY STAR compliance for combinations with all three: SEER 14.00 or higher and EER 11.00 or higher and HSPF 8.2 or higher.

† For coils not listed with a matching furnace or blower, coil rating applies with any indoor blower device.

- continued on next page -

COOLING & HEATING PERFORMANCE FOR COMBINATION RATINGS (continued) Indoor Models

For complete ratings information, use the AHRI website directory search: www.AHRIdirectory.org. New ratings may be listed online before Specification Sheets are updated.

| Outdoor Model | Indoor Model (‡ tested combo) | Furnace Model | Factory Installed | Cool 95° F (35° C) | | | SEER | | | Heat 47° F (8.3° C) | | Heat 17° F (-8.3° C) | | HSPF | |
|---------------------------------------|----------------------------------|----------------|-------------------|--------------------|-------|-------|---------|----------------|----------------|---------------------|--------|----------------------|--------|------|-----|
| | | | | BTU/hr | S / T | EER | factory | with field TDR | with field TXV | BTU/hr | COP | BTU/hr | COP | | |
| H4H336GHE H4H336GLE (continued) | ED*4X36J** | *8MPV100 | TDR&TXV | 33,800 | 0.78 | 11.50 | 13.50 | | | | 33,000 | 3.72 | 21,400 | 2.58 | 7.8 |
| | ED*4X36J** | *8MPV125 | TDR&TXV | 33,800 | 0.78 | 11.50 | 13.50 | | | | 33,000 | 3.74 | 21,200 | 2.58 | 7.8 |
| | ED*4X36J** | *8MV*1102120** | TDR&TXV | 33,800 | 0.78 | 11.50 | 14.00 | | | | 33,000 | 3.62 | 20,800 | 2.54 | 7.8 |
| | ED*4X36J** | *8MX*0902116** | TDR&TXV | 33,800 | 0.78 | 11.50 | 14.00 | | | | 33,600 | 3.68 | 21,000 | 2.56 | 8.0 |
| | ED*4X36J** | *8MX*1102120** | TDR&TXV | 33,800 | 0.78 | 11.50 | 14.00 | | | | 33,600 | 3.72 | 21,000 | 2.58 | 8.0 |
| | ED*4X36J** | *9MPV100 | TDR&TXV | 33,800 | 0.78 | 11.50 | 13.50 | | | | 33,000 | 3.68 | 21,400 | 2.54 | 7.8 |
| | ED*4X36J** | *9MVX080 | TDR&TXV | 33,800 | 0.78 | 11.50 | 13.50 | | | | 33,000 | 3.70 | 21,400 | 2.56 | 7.8 |
| | ED*4X36J** | MV16J22**B* | TDR&TXV | 33,800 | 0.78 | 11.50 | 14.00 | | | | 33,000 | 3.70 | 20,600 | 2.58 | 7.8 |
| | ED*4X36J** | NOMV156E19* | TDR&TXV | 33,800 | 0.78 | 11.50 | 13.50 | | | | 33,000 | 3.60 | 20,800 | 2.52 | 7.8 |
| | ED*4X36J** | OLV112A16A | TDR&TXV | 34,800 | 0.78 | 11.50 | 13.50 | | | | 34,000 | 3.64 | 21,000 | 2.54 | 8.0 |
| | ED*4X42F** | *9MPV050 | TDR&TXV | 34,000 | 0.78 | 11.00 | 13.00 | | | | 33,000 | 3.54 | 21,600 | 2.46 | 7.8 |
| | ED*4X42F** | *9MPV075 | TDR&TXV | 34,000 | 0.78 | 11.00 | 13.20 | | | | 33,000 | 3.58 | 21,400 | 2.50 | 7.8 |
| | ED*4X42F** | *9MVX040 | TDR&TXV | 34,000 | 0.78 | 11.00 | 13.00 | | | | 33,000 | 3.54 | 21,600 | 2.46 | 7.8 |
| | ED*4X42F** | *9MVX060 | TDR&TXV | 34,000 | 0.78 | 11.00 | 13.20 | | | | 33,000 | 3.62 | 21,400 | 2.50 | 7.8 |
| | ED*4X42F** | OLV098A12A | TDR&TXV | 34,600 | 0.78 | 11.00 | 13.00 | | | | 34,000 | 3.58 | 21,200 | 2.52 | 7.7 |
| | ED*4X42F** | OMV098J12A | TDR&TXV | 34,600 | 0.78 | 11.00 | 13.00 | | | | 34,000 | 3.60 | 21,200 | 2.52 | 7.7 |
| | ED*4X42F** | † | TXV | 34,000 | 0.78 | 11.00 | | | 13.00 | | 33,800 | 3.58 | 22,000 | 2.48 | 7.8 |
| | ED*4X42F** | *8MPV075 | TDR&TXV | 34,000 | 0.78 | 11.50 | 13.50 | | | | 33,000 | 3.66 | 21,400 | 2.54 | 7.8 |
| | ED*4X42F** | MV12F19**B* | TDR&TXV | 34,000 | 0.78 | 11.50 | 14.00 | | | | 33,000 | 3.74 | 20,800 | 2.60 | 7.8 |
| | ED*4X42F** | OLV112A16A | TDR&TXV | 35,000 | 0.78 | 11.50 | 13.50 | | | | 34,200 | 3.66 | 21,200 | 2.56 | 8.0 |
| | ED*4X42F** | OMV112K14A | TDR&TXV | 34,800 | 0.78 | 11.50 | 13.50 | | | | 33,800 | 3.64 | 21,000 | 2.54 | 8.0 |
| | ED*4X42J** | † | TXV | 34,000 | 0.78 | 11.00 | | | 13.00 | | 33,800 | 3.58 | 22,000 | 2.48 | 7.8 |
| | ED*4X42J** | *8MPV100 | TDR&TXV | 34,000 | 0.78 | 11.50 | 13.50 | | | | 33,000 | 3.76 | 21,400 | 2.60 | 7.8 |
| | ED*4X42J** | *8MPV125 | TDR&TXV | 34,000 | 0.78 | 11.50 | 14.00 | | | | 33,000 | 3.78 | 21,200 | 2.60 | 7.8 |
| | ED*4X42J** | *8MV*1102120** | TDR&TXV | 34,000 | 0.78 | 11.50 | 14.00 | | | | 33,000 | 3.66 | 20,800 | 2.56 | 8.0 |
| | ED*4X42J** | *8MX*0902116** | TDR&TXV | 34,000 | 0.78 | 11.50 | 14.00 | | | | 33,600 | 3.72 | 21,000 | 2.58 | 8.0 |
| | ED*4X42J** | *8MX*1102120** | TDR&TXV | 34,000 | 0.78 | 11.50 | 14.00 | | | | 33,600 | 3.76 | 21,000 | 2.60 | 8.0 |
| | ED*4X42J** | *9MPV100 | TDR&TXV | 34,000 | 0.78 | 11.50 | 13.50 | | | | 33,000 | 3.72 | 21,400 | 2.56 | 7.8 |
| | ED*4X42J** | *9MVX080 | TDR&TXV | 34,000 | 0.78 | 11.50 | 13.50 | | | | 33,000 | 3.74 | 21,600 | 2.58 | 7.8 |
| | ED*4X42J** | MV16J22**B* | TDR&TXV | 34,000 | 0.78 | 11.50 | 13.50 | | | | 33,000 | 3.74 | 20,800 | 2.60 | 7.8 |
| | ED*4X42J** | NOMV156E19* | TDR&TXV | 34,000 | 0.78 | 11.50 | 13.50 | | | | 33,000 | 3.64 | 20,800 | 2.54 | 7.8 |
| | ED*4X42J** | OLV112A16A | TDR&TXV | 35,000 | 0.78 | 11.50 | 13.50 | | | | 34,000 | 3.68 | 21,200 | 2.56 | 8.0 |
| | ED*4X42L** | † | TXV | 34,000 | 0.78 | 11.00 | | | 13.00 | | 33,000 | 3.58 | 22,000 | 2.48 | 7.8 |
| | ED*4X42L** | *8MV*1352422** | TDR&TXV | 34,000 | 0.78 | 11.50 | 14.00 | | | | 33,000 | 3.68 | 20,800 | 2.56 | 8.0 |
| | ED*4X42L** | *9MPV125 | TDR&TXV | 34,000 | 0.78 | 11.50 | 13.50 | | | | 33,000 | 3.76 | 21,400 | 2.60 | 7.8 |
| | ED*4X42L** | *9MVX100 | TDR&TXV | 34,000 | 0.78 | 11.50 | 13.50 | | | | 33,000 | 3.74 | 21,200 | 2.58 | 7.8 |
| | ED*4X42L** | MV20L24**B* | TDR&TXV | 34,000 | 0.78 | 11.50 | 14.00 | | | | 33,000 | 3.74 | 20,800 | 2.60 | 7.8 |
| | ED*4X42L** | OLV112A16A | TDR&TXV | 35,000 | 0.78 | 11.50 | 13.50 | | | | 34,000 | 3.68 | 21,200 | 2.56 | 8.0 |
| | ED*4X42L** | OLV154F20A | TDR&TXV | 35,800 | 0.78 | 12.00 | 14.00 | | | | 34,400 | 3.84 | 21,400 | 2.64 | 8.2 |
| | EHD4X36A** | *8MPV050 | TDR&TXV | 33,800 | 0.78 | 11.00 | 13.20 | | | | 33,800 | 3.58 | 21,600 | 2.48 | 7.8 |
| EHD4X36A** | *8MX*0451408** | TDR&TXV | 33,800 | 0.78 | 11.00 | 14.00 | | | | 33,600 | 3.64 | 21,600 | 2.50 | 7.8 | |
| EHD4X36A** | *9MPV050 | TDR&TXV | 33,800 | 0.78 | 11.00 | 13.20 | | | | 33,000 | 3.62 | 21,600 | 2.50 | 7.8 | |
| EHD4X36A** | *9MVX040 | TDR&TXV | 33,800 | 0.78 | 11.00 | 13.20 | | | | 33,000 | 3.60 | 21,600 | 2.50 | 7.8 | |

2010 ENERGY STAR compliance for combinations with all three: SEER 14.00 or higher and EER 11.00 or higher and HSPF 8.2 or higher.
 † For coils not listed with a matching furnace or blower, coil rating applies with any indoor blower device.

COOLING & HEATING PERFORMANCE FOR COMBINATION RATINGS (continued) Indoor Models

For complete ratings information, use the AHRI website directory search: www.AHRIdirectory.org. New ratings may be listed online before Specification Sheets are updated.

| Outdoor Model | Indoor Model (‡ tested combo) | Furnace Model | Factory Installed | Cool 95° F (35° C) | | | SEER | | | Heat 47° F (8.3° C) | | Heat 17° F (-8.3° C) | | HSPF |
|---------------------------------------|----------------------------------|----------------|-------------------|--------------------|-------|-------|---------|----------------|----------------|---------------------|--------|----------------------|------|------|
| | | | | BTU/hr | S / T | EER | factory | with field TDR | with field TXV | BTU/hr | COP | BTU/hr | COP | |
| H4H336GHE H4H336GLE (continued) | EHD4X36A** | † | TXV | 33,800 | 0.78 | 11.00 | | 13.00 | | 33,800 | 3.66 | 22,200 | 2.50 | 7.8 |
| | EHD4X36A** | *8MPV075 | TDR&TXV | 33,800 | 0.78 | 11.50 | 13.50 | | | 33,000 | 3.72 | 21,400 | 2.56 | 7.8 |
| | EHD4X36A** | *8MPV100 | TDR&TXV | 33,800 | 0.78 | 11.50 | 14.00 | | | 33,000 | 3.82 | 21,400 | 2.60 | 8.0 |
| | EHD4X36A** | *8MPV125 | TDR&TXV | 33,800 | 0.78 | 11.50 | 14.00 | | | 33,000 | 3.82 | 21,400 | 2.62 | 8.0 |
| | EHD4X36A** | *8MV*0701412** | TDR&TXV | 33,800 | 0.78 | 11.50 | 13.50 | | | 33,600 | 3.68 | 21,200 | 2.54 | 8.0 |
| | EHD4X36A** | *8MV*0901716** | TDR&TXV | 33,800 | 0.78 | 11.50 | 14.00 | | | 33,600 | 3.72 | 21,000 | 2.58 | 8.0 |
| | EHD4X36A** | *8MV*1102120** | TDR&TXV | 33,800 | 0.78 | 11.50 | 14.00 | | | 33,600 | 3.72 | 21,000 | 2.58 | 8.0 |
| | EHD4X36A** | *8MV*1352422** | TDR&TXV | 33,800 | 0.78 | 11.50 | 14.00 | | | 33,600 | 3.74 | 21,000 | 2.58 | 8.0 |
| | EHD4X36A** | *8MX*0701716** | TDR&TXV | 33,800 | 0.78 | 11.50 | 13.50 | | | 33,600 | 3.68 | 21,400 | 2.54 | 8.0 |
| | EHD4X36A** | *8MX*0902116** | TDR&TXV | 33,800 | 0.78 | 11.50 | 14.00 | | | 33,600 | 3.78 | 21,000 | 2.60 | 8.0 |
| | EHD4X36A** | *8MX*1102120** | TDR&TXV | 33,800 | 0.78 | 11.50 | 14.00 | | | 33,600 | 3.80 | 21,200 | 2.62 | 8.0 |
| | EHD4X36A** | *9MPV075 | TDR&TXV | 33,800 | 0.78 | 11.50 | 13.50 | | | 33,000 | 3.64 | 21,600 | 2.52 | 7.8 |
| | EHD4X36A** | *9MPV100 | TDR&TXV | 33,800 | 0.78 | 11.50 | 13.50 | | | 33,000 | 3.76 | 21,600 | 2.58 | 7.8 |
| | EHD4X36A** | *9MPV125 | TDR&TXV | 33,800 | 0.78 | 11.50 | 13.50 | | | 33,000 | 3.80 | 21,400 | 2.60 | 7.8 |
| | EHD4X36A** | *9MVX060 | TDR&TXV | 33,800 | 0.78 | 11.50 | 13.50 | | | 33,000 | 3.68 | 21,600 | 2.54 | 7.8 |
| | EHD4X36A** | *9MVX080 | TDR&TXV | 33,800 | 0.78 | 11.50 | 13.50 | | | 33,000 | 3.80 | 21,600 | 2.60 | 7.8 |
| | EHD4X36A** | *9MVX100 | TDR&TXV | 33,800 | 0.78 | 11.50 | 13.50 | | | 33,000 | 3.76 | 21,400 | 2.58 | 7.8 |
| | EHD4X36A** | MV08B15**B* | TDR&TXV | 33,800 | 0.78 | 11.50 | 14.00 | | | 33,000 | 3.78 | 21,000 | 2.60 | 7.8 |
| | EHD4X36A** | NOMV106D12* | TDR&TXV | 34,000 | 0.78 | 11.50 | 13.50 | | | 33,000 | 3.66 | 21,000 | 2.54 | 7.8 |
| | EHD4X36A** | NOMV156E19* | TDR&TXV | 34,000 | 0.78 | 11.50 | 14.00 | | | 33,000 | 3.70 | 21,000 | 2.56 | 7.8 |
| | EHD4X36A** | OLV098A12A | TDR&TXV | 35,000 | 0.78 | 11.50 | 13.50 | | | 34,200 | 3.66 | 21,200 | 2.54 | 8.0 |
| | EHD4X36A** | OLV112A16A | TDR&TXV | 35,400 | 0.78 | 11.50 | 13.50 | | | 34,400 | 3.74 | 21,400 | 2.58 | 8.0 |
| | EHD4X36A** | OMV098J12A | TDR&TXV | 35,200 | 0.78 | 11.50 | 13.50 | | | 34,200 | 3.66 | 21,400 | 2.54 | 8.0 |
| | EHD4X36A** | OMV112K14A | TDR&TXV | 35,200 | 0.78 | 11.50 | 13.50 | | | 34,200 | 3.72 | 21,200 | 2.58 | 8.0 |
| | EHD4X36A** | MV12F19**B* | TDR&TXV | 33,800 | 0.78 | 12.00 | 14.50 | | | 33,000 | 3.80 | 21,000 | 2.62 | 8.2 |
| | EHD4X36A** | MV16J22**B* | TDR&TXV | 33,800 | 0.78 | 12.00 | 14.50 | | | 33,000 | 3.82 | 21,000 | 2.62 | 8.2 |
| | EHD4X36A** | MV20L24**B* | TDR&TXV | 33,800 | 0.78 | 12.00 | 14.50 | | | 33,000 | 3.80 | 21,000 | 2.62 | 8.2 |
| | EHD4X36A** | OLV154F20A | TDR&TXV | 36,000 | 0.78 | 12.00 | 14.00 | | | 34,600 | 3.90 | 21,600 | 2.66 | 8.5 |
| | EHD4X42A** | *8MPV050 | TDR&TXV | 34,000 | 0.78 | 11.00 | 13.20 | | | 33,000 | 3.64 | 21,600 | 2.50 | 7.8 |
| | EHD4X42A** | *8MX*0451408** | TDR&TXV | 34,000 | 0.78 | 11.00 | 13.20 | | | 33,600 | 3.70 | 21,600 | 2.52 | 8.0 |
| | EHD4X42A** | *9MPV050 | TDR&TXV | 34,000 | 0.78 | 11.00 | 13.20 | | | 33,000 | 3.68 | 21,800 | 2.52 | 7.8 |
| | EHD4X42A** | *9MVX040 | TDR&TXV | 34,000 | 0.78 | 11.00 | 13.20 | | | 33,000 | 3.66 | 21,800 | 2.52 | 7.8 |
| EHD4X42A** | † | TXV | 34,000 | 0.78 | 11.00 | | | 13.00 | 33,000 | 3.70 | 22,200 | 2.52 | 7.8 | |
| EHD4X42A** | *8MPV075 | TDR&TXV | 34,000 | 0.78 | 11.50 | 13.50 | | | 33,000 | 3.80 | 21,600 | 2.58 | 7.8 | |
| EHD4X42A** | *8MPV100 | TDR&TXV | 34,000 | 0.78 | 11.50 | 14.00 | | | 33,000 | 3.90 | 21,600 | 2.64 | 8.0 | |
| EHD4X42A** | *8MPV125 | TDR&TXV | 34,000 | 0.78 | 11.50 | 14.00 | | | 33,000 | 3.90 | 21,400 | 2.64 | 8.0 | |
| EHD4X42A** | *8MV*0701412** | TDR&TXV | 34,000 | 0.78 | 11.50 | 13.50 | | | 33,600 | 3.72 | 21,200 | 2.56 | 8.0 | |
| EHD4X42A** | *8MV*0901716** | TDR&TXV | 34,000 | 0.78 | 11.50 | 14.00 | | | 33,600 | 3.76 | 21,000 | 2.60 | 8.0 | |
| EHD4X42A** | *8MV*1102120** | TDR&TXV | 34,000 | 0.78 | 11.50 | 14.00 | | | 33,600 | 3.76 | 21,000 | 2.60 | 8.0 | |
| EHD4X42A** | *8MV*1352422** | TDR&TXV | 34,000 | 0.78 | 11.50 | 14.00 | | | 33,600 | 3.78 | 21,000 | 2.60 | 8.0 | |
| EHD4X42A** | *8MX*0701716** | TDR&TXV | 34,000 | 0.78 | 11.50 | 13.50 | | | 33,600 | 3.74 | 21,400 | 2.56 | 8.0 | |
| EHD4X42A** | *8MX*0902116** | TDR&TXV | 34,000 | 0.78 | 11.50 | 14.00 | | | 33,600 | 3.84 | 21,200 | 2.62 | 8.0 | |
| EHD4X42A** | *9MPV075 | TDR&TXV | 34,000 | 0.78 | 11.50 | 13.50 | | | 33,000 | 3.70 | 21,600 | 2.54 | 7.8 | |

2010 ENERGY STAR compliance for combinations with all three: SEER 14.00 or higher and EER 11.00 or higher and HSPF 8.2 or higher.

† For coils not listed with a matching furnace or blower, coil rating applies with any indoor blower device.

- continued on next page -

COOLING & HEATING PERFORMANCE FOR COMBINATION RATINGS (continued) Indoor Models

For complete ratings information, use the AHRI website directory search: www.AHRIdirectory.org. New ratings may be listed online before Specification Sheets are updated.

| Outdoor Model | Indoor Model (‡ tested combo) | Furnace Model | Factory Installed | Cool 95° F (35° C) | | | SEER | | | Heat 47° F (8.3° C) | | Heat 17° F (-8.3° C) | | HSPF | |
|---------------------------------------|----------------------------------|----------------|-------------------|--------------------|-------|-------|---------|----------------|----------------|---------------------|--------|----------------------|--------|------|-----|
| | | | | BTU/hr | S / T | EER | factory | with field TDR | with field TXV | BTU/hr | COP | BTU/hr | COP | | |
| H4H336GHE H4H336GLE (continued) | EHD4X42A** | *9MPV100 | TDR&TXV | 34,000 | 0.78 | 11.50 | 13.50 | | | | 33,000 | 3.84 | 21,600 | 2.60 | 8.0 |
| | EHD4X42A** | *9MPV125 | TDR&TXV | 34,000 | 0.78 | 11.50 | 14.00 | | | | 33,000 | 3.88 | 21,400 | 2.62 | 8.0 |
| | EHD4X42A** | *9MVX060 | TDR&TXV | 34,000 | 0.78 | 11.50 | 13.50 | | | | 33,000 | 3.76 | 21,600 | 2.56 | 7.8 |
| | EHD4X42A** | *9MVX080 | TDR&TXV | 34,000 | 0.78 | 11.50 | 13.50 | | | | 33,000 | 3.86 | 21,600 | 2.62 | 8.0 |
| | EHD4X42A** | *9MVX100 | TDR&TXV | 34,000 | 0.78 | 11.50 | 14.00 | | | | 33,000 | 3.84 | 21,400 | 2.62 | 8.0 |
| | EHD4X42A** | MV08B15**B* | TDR&TXV | 34,000 | 0.78 | 11.50 | 14.00 | | | | 33,000 | 3.82 | 21,000 | 2.62 | 7.8 |
| | EHD4X42A** | NOMV106D12* | TDR&TXV | 34,000 | 0.78 | 11.50 | 14.00 | | | | 33,000 | 3.70 | 21,000 | 2.56 | 7.8 |
| | EHD4X42A** | NOMV156E19* | TDR&TXV | 34,000 | 0.78 | 11.50 | 14.00 | | | | 33,000 | 3.74 | 21,000 | 2.58 | 7.8 |
| | EHD4X42A** | OLV098A12A | TDR&TXV | 35,200 | 0.78 | 11.50 | 13.50 | | | | 34,200 | 3.70 | 21,200 | 2.56 | 8.0 |
| | EHD4X42A** | OLV112A16A | TDR&TXV | 35,600 | 0.78 | 11.50 | 13.50 | | | | 34,400 | 3.80 | 21,400 | 2.60 | 8.2 |
| | EHD4X42A** | OMV098J12A | TDR&TXV | 35,400 | 0.78 | 11.50 | 13.50 | | | | 34,400 | 3.72 | 21,400 | 2.56 | 8.0 |
| | EHD4X42A** | *8MX*1102120** | TDR&TXV | 34,000 | 0.78 | 12.00 | 14.50 | | | | 33,600 | 3.88 | 21,200 | 2.64 | 8.2 |
| | EHD4X42A** | MV12F19**B* | TDR&TXV | 34,000 | 0.78 | 12.00 | 14.50 | | | | 33,000 | 3.86 | 21,000 | 2.64 | 8.2 |
| | EHD4X42A** | MV16J22**B* | TDR&TXV | 34,000 | 0.78 | 12.00 | 14.50 | | | | 33,000 | 3.86 | 21,000 | 2.64 | 8.2 |
| | EHD4X42A** | MV20L24**B* | TDR&TXV | 34,000 | 0.78 | 12.00 | 14.50 | | | | 33,000 | 3.86 | 21,000 | 2.64 | 8.2 |
| | EHD4X42A** | OLV154F20A | TDR&TXV | 36,000 | 0.78 | 12.00 | 14.00 | | | | 34,600 | 3.96 | 21,600 | 2.68 | 8.5 |
| | EHD4X42A** | OMV112K14A | TDR&TXV | 35,400 | 0.78 | 12.00 | 14.00 | | | | 34,200 | 3.76 | 21,200 | 2.60 | 8.2 |
| | EMA4X36D** | † | TXV | 33,800 | 0.78 | 11.00 | | | 13.00 | | 33,800 | 3.52 | 22,000 | 2.46 | 7.8 |
| | EN(A,D)4X36*21** | *9MPV050 | TDR&TXV | 34,200 | 0.78 | 11.00 | 13.00 | | | | 34,200 | 3.50 | 21,400 | 2.46 | 7.7 |
| | EN(A,D)4X36*21** | *9MPV075 | TDR&TXV | 34,200 | 0.78 | 11.00 | 13.00 | | | | 34,000 | 3.52 | 21,200 | 2.48 | 7.7 |
| | EN(A,D)4X36*21** | *9MVX040 | TDR&TXV | 34,200 | 0.78 | 11.00 | 13.00 | | | | 34,200 | 3.50 | 21,400 | 2.46 | 7.7 |
| | EN(A,D)4X36*21** | *9MVX060 | TDR&TXV | 34,400 | 0.78 | 11.00 | 13.00 | | | | 34,200 | 3.56 | 21,400 | 2.50 | 7.7 |
| | EN(A,D)4X36*21** | OLV098A12A | TDR&TXV | 34,200 | 0.78 | 11.00 | 13.00 | | | | 33,800 | 3.52 | 21,200 | 2.48 | 7.7 |
| | EN(A,D)4X36*21** | OLV112A16A | TDR&TXV | 34,600 | 0.78 | 11.00 | 13.00 | | | | 34,000 | 3.58 | 21,200 | 2.52 | 7.7 |
| | EN(A,D)4X36*21** | OMV098J12A | TDR&TXV | 34,200 | 0.78 | 11.00 | 13.00 | | | | 34,000 | 3.52 | 21,200 | 2.48 | 7.7 |
| | EN(A,D)4X36*21** | † | TXV | 33,800 | 0.78 | 11.00 | | | 13.00 | | 33,800 | 3.52 | 22,000 | 2.46 | 7.8 |
| | EN(A,D)4X36*21** | *8MV*1102120** | TDR&TXV | 33,800 | 0.78 | 11.50 | 13.50 | | | | 33,000 | 3.58 | 20,800 | 2.52 | 7.8 |
| | EN(A,D)4X36*21** | *8MX*0902116** | TDR&TXV | 33,800 | 0.78 | 11.50 | 13.50 | | | | 33,000 | 3.62 | 21,000 | 2.54 | 7.8 |
| | EN(A,D)4X36*21** | *8MX*1102120** | TDR&TXV | 33,800 | 0.78 | 11.50 | 13.50 | | | | 33,000 | 3.64 | 21,000 | 2.54 | 7.8 |
| | EN(A,D)4X36*21** | *9MPV100 | TDR&TXV | 34,800 | 0.78 | 11.50 | 13.50 | | | | 34,000 | 3.64 | 21,200 | 2.54 | 8.0 |
| | EN(A,D)4X36*21** | *9MVX080 | TDR&TXV | 35,000 | 0.78 | 11.50 | 13.50 | | | | 34,200 | 3.66 | 21,400 | 2.54 | 8.0 |
| | EN(A,D)4X36*21** | NOMV156E19* | TDR&TXV | 33,800 | 0.78 | 11.50 | 13.50 | | | | 33,000 | 3.56 | 20,800 | 2.50 | 7.8 |
| | EN(A,D)4X36*21** | OMV112K14A | TDR&TXV | 34,400 | 0.78 | 11.50 | 13.50 | | | | 33,800 | 3.58 | 21,000 | 2.52 | 7.7 |
| | EN(A,D)4X37*17** | *9MPV050 | TDR&TXV | 35,600 | 0.78 | 11.00 | 13.00 | | | | 34,800 | 3.78 | 21,800 | 2.56 | 8.2 |
| EN(A,D)4X37*17** | *9MVX040 | TDR&TXV | 35,600 | 0.78 | 11.00 | 13.00 | | | | 34,800 | 3.78 | 21,800 | 2.56 | 8.2 | |
| EN(A,D)4X37*17** | † | TXV | 34,200 | 0.78 | 11.00 | | | 13.00 | | 33,800 | 3.76 | 22,400 | 2.54 | 8.0 | |
| EN(A,D)4X37*17** | *8MV*0901716** | TDR&TXV | 34,200 | 0.78 | 11.50 | 14.00 | | | | 33,600 | 3.86 | 21,200 | 2.62 | 8.0 | |
| EN(A,D)4X37*17** | *8MX*0701716** | TDR&TXV | 34,200 | 0.78 | 11.50 | 13.50 | | | | 33,600 | 3.82 | 21,600 | 2.58 | 8.0 | |
| EN(A,D)4X37*17** | *9MPV075 | TDR&TXV | 35,800 | 0.78 | 11.50 | 13.50 | | | | 34,600 | 3.82 | 21,600 | 2.58 | 8.2 | |
| EN(A,D)4X37*17** | *9MVX060 | TDR&TXV | 36,000 | 0.78 | 11.50 | 13.50 | | | | 34,600 | 3.86 | 21,600 | 2.60 | 8.2 | |
| EN(A,D)4X37*17** | NOMV106D12* | TDR&TXV | 34,000 | 0.78 | 11.50 | 14.00 | | | | 33,000 | 3.80 | 21,200 | 2.58 | 8.0 | |
| EN(A,D)4X37*17** | OLV098A12A | TDR&TXV | 35,600 | 0.78 | 11.50 | 13.50 | | | | 34,400 | 3.80 | 21,400 | 2.58 | 8.2 | |
| EN(A,D)4X37*17** | OMV098J12A | TDR&TXV | 35,600 | 0.78 | 11.50 | 13.50 | | | | 34,600 | 3.82 | 21,400 | 2.58 | 8.2 | |

2010 ENERGY STAR compliance for combinations with all three: SEER 14.00 or higher and EER 11.00 or higher and HSPF 8.2 or higher.
 † For coils not listed with a matching furnace or blower, coil rating applies with any indoor blower device.

COOLING & HEATING PERFORMANCE FOR COMBINATION RATINGS (continued) Indoor Models

For complete ratings information, use the AHRI website directory search: www.AHRIdirectory.org. New ratings may be listed online before Specification Sheets are updated.

| Outdoor Model | Indoor Model († tested combo) | Furnace Model | Factory Installed | Cool 95° F (35° C) | | | SEER | | | Heat 47° F (8.3° C) | | Heat 17° F (-8.3° C) | | HSPF | |
|---------------------------------------|----------------------------------|----------------|-------------------|--------------------|-------|-------|---------|----------------|----------------|---------------------|--------|----------------------|--------|------|-----|
| | | | | BTU/hr | S / T | EER | factory | with field TDR | with field TXV | BTU/hr | COP | BTU/hr | COP | | |
| H4H336GHE H4H336GLE (continued) | EN(A,D)4X37*17** | OMV112K14A | TDR&TXV | 35,800 | 0.78 | 12.00 | 14.00 | | | | 34,400 | 3.88 | 21,200 | 2.62 | 8.2 |
| | EN(A,D)4X43*24** | † | TXV | 34,200 | 0.78 | 11.00 | | 13.00 | | | 33,800 | 3.76 | 22,400 | 2.54 | 8.0 |
| | EN(A,D)4X43*24** | *8MV*1352422** | TDR&TXV | 34,200 | 0.78 | 11.50 | 14.00 | | | | 33,600 | 3.92 | 21,000 | 2.66 | 8.0 |
| | EN(A,D)4X43*24** | *9MPV100 | TDR&TXV | 36,000 | 0.78 | 12.00 | 14.00 | | | | 34,400 | 3.98 | 21,600 | 2.68 | 8.5 |
| | EN(A,D)4X43*24** | *9MPV125 | TDR&TXV | 36,000 | 0.78 | 12.00 | 14.00 | | | | 34,400 | 4.02 | 21,600 | 2.70 | 8.5 |
| | EN(A,D)4X43*24** | *9MVX080 | TDR&TXV | 36,000 | 0.78 | 12.00 | 14.00 | | | | 34,400 | 3.98 | 21,600 | 2.68 | 8.5 |
| | EN(A,D)4X43*24** | *9MVX100 | TDR&TXV | 36,000 | 0.78 | 12.00 | 14.00 | | | | 34,400 | 4.00 | 21,400 | 2.70 | 8.5 |
| | EN(A,D)4X43*24** | OLV112A16A | TDR&TXV | 36,000 | 0.78 | 12.00 | 14.00 | | | | 34,400 | 3.92 | 21,400 | 2.66 | 8.5 |
| | EN(A,D)4X43*24** | OLV154F20A | TDR&TXV | 36,000 | 0.78 | 12.00 | 14.00 | | | | 34,200 | 4.04 | 21,600 | 2.72 | 8.5 |
| | EN(A,D,W)4X36*17** | *9MPV050 | TDR&TXV | 34,200 | 0.78 | 11.00 | 13.00 | | | | 34,200 | 3.50 | 21,400 | 2.46 | 7.7 |
| | EN(A,D,W)4X36*17** | *9MPV075 | TDR&TXV | 34,200 | 0.78 | 11.00 | 13.00 | | | | 34,000 | 3.52 | 21,200 | 2.48 | 7.7 |
| | EN(A,D,W)4X36*17** | *9MVX040 | TDR&TXV | 34,200 | 0.78 | 11.00 | 13.00 | | | | 34,200 | 3.48 | 21,400 | 2.46 | 7.7 |
| | EN(A,D,W)4X36*17** | *9MVX060 | TDR&TXV | 34,400 | 0.78 | 11.00 | 13.00 | | | | 34,200 | 3.56 | 21,400 | 2.50 | 7.7 |
| | EN(A,D,W)4X36*17** | OLV098A12A | TDR&TXV | 34,200 | 0.78 | 11.00 | 13.00 | | | | 33,800 | 3.52 | 21,200 | 2.48 | 7.7 |
| | EN(A,D,W)4X36*17** | OMV098J12A | TDR&TXV | 34,200 | 0.78 | 11.00 | 13.00 | | | | 34,000 | 3.52 | 21,200 | 2.48 | 7.7 |
| | EN(A,D,W)4X36*17** | † | TXV | 33,800 | 0.78 | 11.00 | | 13.00 | | | 33,800 | 3.52 | 22,000 | 2.46 | 7.8 |
| | EN(A,D,W)4X36*17** | *8MV*0901716** | TDR&TXV | 33,800 | 0.78 | 11.50 | 13.50 | | | | 33,000 | 3.58 | 20,800 | 2.52 | 7.8 |
| | EN(A,D,W)4X36*17** | *8MX*0701716** | TDR&TXV | 33,800 | 0.78 | 11.50 | 13.50 | | | | 33,600 | 3.52 | 21,200 | 2.48 | 7.8 |
| | EN(A,D,W)4X36*17** | NOMV106D12* | TDR&TXV | 33,800 | 0.78 | 11.50 | 13.50 | | | | 33,000 | 3.50 | 21,000 | 2.48 | 7.7 |
| | EN(A,D,W)4X36*17** | OMV112K14A | TDR&TXV | 34,400 | 0.78 | 11.50 | 13.50 | | | | 33,800 | 3.58 | 21,000 | 2.52 | 7.7 |
| | EN(A,D,W)4X42*21** | *9MPV050 | TDR&TXV | 34,600 | 0.78 | 11.00 | 13.00 | | | | 34,400 | 3.58 | 21,400 | 2.48 | 7.7 |
| | EN(A,D,W)4X42*21** | *9MPV075 | TDR&TXV | 34,800 | 0.78 | 11.00 | 13.00 | | | | 34,200 | 3.60 | 21,400 | 2.52 | 7.7 |
| | EN(A,D,W)4X42*21** | *9MVX040 | TDR&TXV | 34,600 | 0.78 | 11.00 | 13.00 | | | | 34,400 | 3.56 | 21,400 | 2.48 | 7.7 |
| | EN(A,D,W)4X42*21** | *9MVX060 | TDR&TXV | 34,800 | 0.78 | 11.00 | 13.00 | | | | 34,400 | 3.64 | 21,400 | 2.52 | 8.0 |
| | EN(A,D,W)4X42*21** | OLV098A12A | TDR&TXV | 34,600 | 0.78 | 11.00 | 13.00 | | | | 34,000 | 3.58 | 21,200 | 2.50 | 7.7 |
| | EN(A,D,W)4X42*21** | OMV098J12A | TDR&TXV | 34,600 | 0.78 | 11.00 | 13.00 | | | | 34,200 | 3.60 | 21,200 | 2.52 | 7.7 |
| | EN(A,D,W)4X42*21** | † | TXV | 34,000 | 0.78 | 11.00 | | 13.00 | | | 33,800 | 3.58 | 22,000 | 2.48 | 7.8 |
| | EN(A,D,W)4X42*21** | *8MV*1102120** | TDR&TXV | 34,000 | 0.78 | 11.50 | 13.50 | | | | 33,600 | 3.66 | 21,000 | 2.56 | 8.0 |
| | EN(A,D,W)4X42*21** | *8MX*0902116** | TDR&TXV | 34,000 | 0.78 | 11.50 | 14.00 | | | | 33,600 | 3.70 | 21,000 | 2.56 | 8.0 |
| | EN(A,D,W)4X42*21** | *8MX*1102120** | TDR&TXV | 34,000 | 0.78 | 11.50 | 14.00 | | | | 33,600 | 3.72 | 21,000 | 2.58 | 8.0 |
| | EN(A,D,W)4X42*21** | *9MPV100 | TDR&TXV | 35,200 | 0.78 | 11.50 | 13.50 | | | | 34,200 | 3.72 | 21,400 | 2.58 | 8.0 |
| | EN(A,D,W)4X42*21** | *9MVX080 | TDR&TXV | 35,400 | 0.78 | 11.50 | 13.50 | | | | 34,400 | 3.74 | 21,400 | 2.58 | 8.0 |
| | EN(A,D,W)4X42*21** | NOMV156E19* | TDR&TXV | 34,000 | 0.78 | 11.50 | 13.50 | | | | 33,000 | 3.62 | 21,000 | 2.54 | 7.8 |
| EN(A,D,W)4X42*21** | OLV112A16A | TDR&TXV | 35,000 | 0.78 | 11.50 | 13.50 | | | | 34,200 | 3.66 | 21,200 | 2.54 | 8.0 | |
| EN(A,D,W)4X42*21** | OMV112K14A | TDR&TXV | 34,800 | 0.78 | 11.50 | 13.50 | | | | 34,000 | 3.66 | 21,000 | 2.54 | 8.0 | |
| END4X42*17** | *9MPV050 | TDR&TXV | 34,800 | 0.78 | 11.00 | 13.00 | | | | 34,600 | 3.62 | 21,600 | 2.50 | 8.0 | |
| END4X42*17** | *9MPV075 | TDR&TXV | 35,000 | 0.78 | 11.00 | 13.00 | | | | 34,400 | 3.66 | 21,400 | 2.54 | 8.0 | |
| END4X42*17** | *9MVX040 | TDR&TXV | 34,800 | 0.78 | 11.00 | 13.00 | | | | 34,400 | 3.62 | 21,600 | 2.50 | 7.7 | |
| END4X42*17** | *9MVX060 | TDR&TXV | 35,200 | 0.78 | 11.00 | 13.00 | | | | 34,400 | 3.70 | 21,400 | 2.54 | 8.0 | |
| END4X42*17** | OLV098A12A | TDR&TXV | 34,800 | 0.78 | 11.00 | 13.00 | | | | 34,200 | 3.64 | 21,200 | 2.54 | 8.0 | |
| END4X42*17** | OMV098J12A | TDR&TXV | 35,000 | 0.78 | 11.00 | 13.00 | | | | 34,200 | 3.66 | 21,400 | 2.54 | 8.0 | |
| END4X42*17** | † | TXV | 34,000 | 0.78 | 11.00 | | 13.00 | | | 33,800 | 3.64 | 22,200 | 2.50 | 7.8 | |
| END4X42*17** | *8MV*0901716** | TDR&TXV | 34,000 | 0.78 | 11.50 | 14.00 | | | | 33,600 | 3.70 | 21,000 | 2.56 | 8.0 | |

2010 ENERGY STAR compliance for combinations with all three: SEER 14.00 or higher and EER 11.00 or higher and HSPF 8.2 or higher.

† For coils not listed with a matching furnace or blower, coil rating applies with any indoor blower device.

- continued on next page -

COOLING & HEATING PERFORMANCE FOR COMBINATION RATINGS (continued) Indoor Models

For complete ratings information, use the AHRI website directory search: www.AHRIdirectory.org. New ratings may be listed online before Specification Sheets are updated.

| Outdoor Model | Indoor Model (‡ tested combo) | Furnace Model | Factory Installed | Cool 95° F (35° C) | | | SEER | | | Heat 47° F (8.3° C) | | Heat 17° F (-8.3° C) | | HSPF | |
|---------------------------------------|----------------------------------|----------------|-------------------|--------------------|-------|-------|---------|----------------|----------------|---------------------|--------|----------------------|--------|------|-----|
| | | | | BTU/hr | S / T | EER | factory | with field TDR | with field TXV | BTU/hr | COP | BTU/hr | COP | | |
| H4H336GHE H4H336GLE (continued) | END4X42*17** | *8MX*0701716** | TDR&TXV | 34,000 | 0.78 | 11.50 | 13.50 | | | | 33,600 | 3.66 | 21,400 | 2.54 | 8.0 |
| | END4X42*17** | NOMV106D12* | TDR&TXV | 34,000 | 0.78 | 11.50 | 13.50 | | | | 33,000 | 3.64 | 21,000 | 2.54 | 7.8 |
| | END4X42*17** | OMV112K14A | TDR&TXV | 35,200 | 0.78 | 11.50 | 13.50 | | | | 34,000 | 3.70 | 21,200 | 2.56 | 8.0 |
| | ENH4X36*17** | *8MX*0451408** | TDR&TXV | 33,800 | 0.78 | 11.00 | 13.00 | | | | 33,600 | 3.50 | 21,400 | 2.44 | 7.8 |
| | ENH4X36*17** | *9MPV050 | TDR&TXV | 34,200 | 0.78 | 11.00 | 13.00 | | | | 34,200 | 3.50 | 21,400 | 2.46 | 7.7 |
| | ENH4X36*17** | *9MPV075 | TDR&TXV | 34,200 | 0.78 | 11.00 | 13.00 | | | | 34,000 | 3.52 | 21,200 | 2.48 | 7.7 |
| | ENH4X36*17** | *9MVX040 | TDR&TXV | 34,200 | 0.78 | 11.00 | 13.00 | | | | 34,200 | 3.48 | 21,400 | 2.46 | 7.7 |
| | ENH4X36*17** | *9MVX060 | TDR&TXV | 34,400 | 0.78 | 11.00 | 13.00 | | | | 34,200 | 3.56 | 21,400 | 2.50 | 7.7 |
| | ENH4X36*17** | OLV098A12A | TDR&TXV | 34,200 | 0.78 | 11.00 | 13.00 | | | | 33,800 | 3.52 | 21,200 | 2.48 | 7.7 |
| | ENH4X36*17** | OLV112A16A | TDR&TXV | 34,600 | 0.78 | 11.00 | 13.00 | | | | 34,000 | 3.58 | 21,200 | 2.50 | 7.7 |
| | ENH4X36*17** | OMV098J12A | TDR&TXV | 34,200 | 0.78 | 11.00 | 13.00 | | | | 34,000 | 3.52 | 21,200 | 2.48 | 7.7 |
| | ENH4X36*17** | † | TXV | 33,800 | 0.78 | 11.00 | | | 13.00 | | 33,800 | 3.52 | 22,000 | 2.46 | 7.8 |
| | ENH4X36*17** | *8MV*0701412** | TDR&TXV | 33,800 | 0.78 | 11.50 | 13.50 | | | | 33,000 | 3.54 | 21,000 | 2.48 | 7.8 |
| | ENH4X36*17** | *8MV*0901716** | TDR&TXV | 33,800 | 0.78 | 11.50 | 13.50 | | | | 33,000 | 3.58 | 20,800 | 2.52 | 7.8 |
| | ENH4X36*17** | *8MV*1102120** | TDR&TXV | 33,800 | 0.78 | 11.50 | 13.50 | | | | 33,000 | 3.58 | 20,800 | 2.52 | 7.8 |
| | ENH4X36*17** | *8MV*1352422** | TDR&TXV | 33,800 | 0.78 | 11.50 | 13.50 | | | | 33,000 | 3.58 | 20,800 | 2.52 | 7.8 |
| | ENH4X36*17** | *8MX*0701716** | TDR&TXV | 33,800 | 0.78 | 11.50 | 14.00 | | | | 33,600 | 3.52 | 21,200 | 2.48 | 7.8 |
| | ENH4X36*17** | *8MX*0902116** | TDR&TXV | 33,800 | 0.78 | 11.50 | 13.50 | | | | 33,000 | 3.60 | 20,800 | 2.52 | 7.8 |
| | ENH4X36*17** | *8MX*1102120** | TDR&TXV | 33,800 | 0.78 | 11.50 | 13.50 | | | | 33,000 | 3.64 | 21,000 | 2.54 | 7.8 |
| | ENH4X36*17** | NOMV156E19* | TDR&TXV | 33,800 | 0.78 | 11.50 | 13.50 | | | | 33,000 | 3.56 | 20,800 | 2.50 | 7.8 |
| | ENH4X36*17** | OLV154F20A | TDR&TXV | 35,200 | 0.78 | 11.50 | 13.50 | | | | 34,400 | 3.72 | 21,400 | 2.58 | 8.0 |
| | ENH4X36*17** | OMV112K14A | TDR&TXV | 34,400 | 0.78 | 11.50 | 13.50 | | | | 33,800 | 3.58 | 21,000 | 2.52 | 7.7 |
| | ENH4X42*21** | *8MX*0451408** | TDR&TXV | 34,000 | 0.78 | 11.00 | 13.20 | | | | 33,000 | 3.58 | 21,600 | 2.48 | 7.8 |
| | ENH4X42*21** | *9MPV050 | TDR&TXV | 34,600 | 0.78 | 11.00 | 13.00 | | | | 34,400 | 3.58 | 21,400 | 2.48 | 7.7 |
| | ENH4X42*21** | *9MPV075 | TDR&TXV | 34,800 | 0.78 | 11.00 | 13.00 | | | | 34,200 | 3.60 | 21,400 | 2.52 | 7.7 |
| | ENH4X42*21** | *9MVX040 | TDR&TXV | 34,600 | 0.78 | 11.00 | 13.00 | | | | 34,400 | 3.56 | 21,400 | 2.48 | 7.7 |
| | ENH4X42*21** | *9MVX060 | TDR&TXV | 34,800 | 0.78 | 11.00 | 13.00 | | | | 34,400 | 3.64 | 21,400 | 2.52 | 8.0 |
| | ENH4X42*21** | OLV098A12A | TDR&TXV | 34,600 | 0.78 | 11.00 | 13.00 | | | | 34,000 | 3.58 | 21,200 | 2.50 | 7.7 |
| | ENH4X42*21** | OMV098J12A | TDR&TXV | 34,600 | 0.78 | 11.00 | 13.00 | | | | 34,200 | 3.60 | 21,200 | 2.52 | 7.7 |
| | ENH4X42*21** | † | TXV | 34,000 | 0.78 | 11.00 | | | 13.00 | | 33,800 | 3.58 | 22,000 | 2.48 | 7.8 |
| | ENH4X42*21** | *8MV*0701412** | TDR&TXV | 34,000 | 0.78 | 11.50 | 13.50 | | | | 33,000 | 3.62 | 21,000 | 2.52 | 7.8 |
| | ENH4X42*21** | *8MV*0901716** | TDR&TXV | 34,000 | 0.78 | 11.50 | 14.00 | | | | 33,000 | 3.66 | 21,000 | 2.54 | 7.8 |
| | ENH4X42*21** | *8MV*1102120** | TDR&TXV | 34,000 | 0.78 | 11.50 | 14.00 | | | | 33,000 | 3.66 | 21,000 | 2.56 | 7.8 |
| | ENH4X42*21** | *8MV*1352422** | TDR&TXV | 34,000 | 0.78 | 11.50 | 14.00 | | | | 33,000 | 3.66 | 20,800 | 2.56 | 7.8 |
| | ENH4X42*21** | *8MX*0701716** | TDR&TXV | 34,000 | 0.78 | 11.50 | 13.50 | | | | 33,000 | 3.62 | 21,200 | 2.52 | 7.8 |
| | ENH4X42*21** | *8MX*0902116** | TDR&TXV | 34,000 | 0.78 | 11.50 | 14.00 | | | | 33,000 | 3.70 | 21,000 | 2.56 | 8.0 |
| | ENH4X42*21** | *8MX*1102120** | TDR&TXV | 34,000 | 0.78 | 11.50 | 14.00 | | | | 33,000 | 3.72 | 21,000 | 2.58 | 8.0 |
| | ENH4X42*21** | *9MPV100 | TDR&TXV | 35,200 | 0.78 | 11.50 | 13.50 | | | | 34,200 | 3.72 | 21,400 | 2.58 | 8.0 |
| | ENH4X42*21** | *9MVX080 | TDR&TXV | 35,400 | 0.78 | 11.50 | 13.50 | | | | 34,400 | 3.74 | 21,400 | 2.58 | 8.0 |
| | ENH4X42*21** | NOMV106D12* | TDR&TXV | 33,800 | 0.78 | 11.50 | 13.50 | | | | 33,000 | 3.58 | 21,000 | 2.52 | 7.8 |
| ENH4X42*21** | NOMV156E19* | TDR&TXV | 34,000 | 0.78 | 11.50 | 13.50 | | | | 33,000 | 3.62 | 21,000 | 2.54 | 7.8 | |
| ENH4X42*21** | OLV112A16A | TDR&TXV | 35,000 | 0.78 | 11.50 | 13.50 | | | | 34,200 | 3.66 | 21,200 | 2.54 | 8.0 | |
| ENH4X42*21** | OLV154F20A | TDR&TXV | 35,800 | 0.78 | 11.50 | 13.50 | | | | 34,400 | 3.82 | 21,400 | 2.62 | 8.2 | |

2010 ENERGY STAR compliance for combinations with all three: SEER 14.00 or higher and EER 11.00 or higher and HSPF 8.2 or higher.
 † For coils not listed with a matching furnace or blower, coil rating applies with any indoor blower device.

- continued on next page -

COOLING & HEATING PERFORMANCE FOR COMBINATION RATINGS (continued) Indoor Models

For complete ratings information, use the AHRI website directory search: www.AHRIdirectory.org. New ratings may be listed online before Specification Sheets are updated.

| Outdoor Model | Indoor Model (‡ tested combo) | Furnace Model | Factory Installed | Cool 95° F (35° C) | | | SEER | | | Heat 47° F (8.3° C) | | Heat 17° F (-8.3° C) | | HSPF | |
|---------------------------------------|----------------------------------|----------------|-------------------|--------------------|-------|-------|---------|----------------|----------------|---------------------|--------|----------------------|--------|------|-----|
| | | | | BTU/hr | S / T | EER | factory | with field TDR | with field TXV | BTU/hr | COP | BTU/hr | COP | | |
| H4H336GHE H4H336GLE (continued) | ENH4X42*21** | OMV112K14A | TDR&TXV | 34,800 | 0.78 | 11.50 | 13.50 | | | | 34,000 | 3.66 | 21,000 | 2.54 | 8.0 |
| | ENH4X43*21** | *9MPV050 | TDR&TXV | 35,600 | 0.78 | 11.00 | 13.00 | | | | 34,800 | 3.80 | 21,800 | 2.58 | 8.2 |
| | ENH4X43*21** | *9MVX040 | TDR&TXV | 35,600 | 0.78 | 11.00 | 13.00 | | | | 34,800 | 3.78 | 21,800 | 2.56 | 8.2 |
| | ENH4X43*21** | † | TXV | 34,200 | 0.78 | 11.00 | | | 13.00 | | 33,800 | 3.76 | 22,400 | 2.54 | 8.0 |
| | ENH4X43*21** | *8MV*0701412** | TDR&TXV | 34,200 | 0.78 | 11.50 | 14.00 | | | | 33,600 | 3.84 | 21,200 | 2.60 | 8.0 |
| | ENH4X43*21** | *8MX*0451408** | TDR&TXV | 34,200 | 0.78 | 11.50 | | | | | 33,600 | 3.80 | 21,800 | 2.56 | 8.0 |
| | ENH4X43*21** | *8MX*0701716** | TDR&TXV | 34,200 | 0.78 | 11.50 | 14.00 | | | | 33,600 | 3.84 | 21,600 | 2.60 | 8.2 |
| | ENH4X43*21** | *9MPV075 | TDR&TXV | 35,800 | 0.78 | 11.50 | 13.50 | | | | 34,600 | 3.84 | 21,600 | 2.60 | 8.2 |
| | ENH4X43*21** | *9MVX060 | TDR&TXV | 36,000 | 0.78 | 11.50 | 13.50 | | | | 34,600 | 3.88 | 21,600 | 2.62 | 8.2 |
| | ENH4X43*21** | NOMV106D12* | TDR&TXV | 34,000 | 0.78 | 11.50 | 14.00 | | | | 33,000 | 3.82 | 21,000 | 2.60 | 8.0 |
| | ENH4X43*21** | NOMV156E19* | TDR&TXV | 34,000 | 0.78 | 11.50 | 14.00 | | | | 33,000 | 3.86 | 21,200 | 2.62 | 8.0 |
| | ENH4X43*21** | OLV098A12A | TDR&TXV | 35,600 | 0.78 | 11.50 | 13.50 | | | | 34,400 | 3.82 | 21,400 | 2.60 | 8.2 |
| | ENH4X43*21** | OMV098J12A | TDR&TXV | 35,600 | 0.78 | 11.50 | 13.50 | | | | 34,400 | 3.84 | 21,400 | 2.60 | 8.2 |
| | ENH4X43*21** | *8MV*0901716** | TDR&TXV | 34,200 | 0.78 | 12.00 | 14.50 | | | | 33,600 | 3.88 | 21,000 | 2.62 | 8.2 |
| | ENH4X43*21** | *8MV*1102120** | TDR&TXV | 34,200 | 0.78 | 12.00 | 14.50 | | | | 33,600 | 3.90 | 21,200 | 2.64 | 8.2 |
| | ENH4X43*21** | *8MV*1352422** | TDR&TXV | 34,200 | 0.78 | 12.00 | 14.50 | | | | 33,600 | 3.90 | 21,000 | 2.64 | 8.2 |
| | ENH4X43*21** | *8MX*0902116** | TDR&TXV | 34,200 | 0.78 | 12.00 | 14.50 | | | | 33,600 | 3.94 | 21,200 | 2.66 | 8.2 |
| | ENH4X43*21** | *8MX*1102120** | TDR&TXV | 34,200 | 0.78 | 12.00 | 14.50 | | | | 33,600 | 3.98 | 21,400 | 2.68 | 8.2 |
| | ENH4X43*21** | *9MPV100 | TDR&TXV | 36,000 | 0.78 | 12.00 | 14.00 | | | | 34,400 | 3.96 | 21,600 | 2.68 | 8.5 |
| | ENH4X43*21** | *9MVX080 | TDR&TXV | 36,000 | 0.78 | 12.00 | 14.00 | | | | 34,400 | 3.96 | 21,600 | 2.68 | 8.5 |
| | ENH4X43*21** | OLV112A16A | TDR&TXV | 36,000 | 0.78 | 12.00 | 14.00 | | | | 34,400 | 3.90 | 21,400 | 2.64 | 8.5 |
| | ENH4X43*21** | OLV154F20A | TDR&TXV | 36,000 | 0.78 | 12.00 | 14.00 | | | | 34,200 | 4.04 | 21,600 | 2.72 | 8.5 |
| | ENH4X43*21** | OMV112K14A | TDR&TXV | 35,800 | 0.78 | 12.00 | 14.00 | | | | 34,200 | 3.88 | 21,200 | 2.64 | 8.2 |
| | FEA4X36**A* | - | TDR&TXV | 34,000 | 0.78 | 11.00 | 13.00 | | | | 34,000 | 3.54 | 21,800 | 2.46 | 7.8 |
| | FEM4P36**A* | - | TDR | 34,000 | 0.78 | 11.00 | 13.00 | | | | 34,000 | 3.60 | 21,400 | 2.48 | 8.0 |
| | FEM4P36**A*+TXV | - | TDR | 34,000 | 0.78 | 11.00 | | | | 13.20 | 34,000 | 3.60 | 21,400 | 2.48 | 8.0 |
| | FEM4P42**A* | - | TDR | 34,000 | 0.78 | 11.00 | 13.20 | | | | 34,000 | 3.82 | 21,400 | 2.60 | 8.0 |
| | FEM4P42**A*+TXV | - | TDR | 34,000 | 0.78 | 11.50 | | | | 14.00 | 34,000 | 3.84 | 21,400 | 2.60 | 8.0 |
| | FEM4X36**** | - | TDR&TXV | 34,000 | 0.78 | 11.50 | 13.50 | | | | 33,600 | 3.78 | 21,600 | 2.58 | 8.0 |
| | FEM4X42**** | - | TDR&TXV | 34,000 | 0.78 | 11.50 | 13.50 | | | | 34,000 | 3.76 | 21,600 | 2.56 | 8.0 |
| | FS(M,U)4P36**A*+TXV | - | TDR | 34,000 | 0.78 | 11.00 | | | | 13.20 | 34,000 | 3.60 | 21,600 | 2.50 | 7.8 |
| | FS(M,U)4P42**A* | - | TDR | 34,000 | 0.78 | 11.00 | 13.00 | | | | 34,000 | 3.72 | 21,800 | 2.54 | 7.8 |
| | FS(M,U)4P42**A*+TXV | - | TDR | 34,000 | 0.78 | 11.00 | | | | 13.50 | 33,600 | 3.72 | 21,800 | 2.54 | 8.0 |
| FS(M,U)4X42**** | - | TDR&TXV | 34,000 | 0.78 | 11.00 | 13.00 | | | | 34,000 | 3.62 | 22,200 | 2.48 | 7.8 | |
| FSM4X36**** | - | TDR&TXV | 34,000 | 0.78 | 11.00 | 13.00 | | | | 34,000 | 3.64 | 22,200 | 2.48 | 7.8 | |
| FVM4X24**** | - | TDR&TXV | 34,000 | 0.78 | 11.50 | 13.50 | | | | 33,000 | 3.64 | 21,000 | 2.52 | 7.8 | |
| FVM4X36**** | - | TDR&TXV | 34,000 | 0.78 | 11.50 | 14.00 | | | | 33,000 | 3.66 | 20,800 | 2.56 | 8.0 | |
| FVM4X48**** | - | TDR&TXV | 34,200 | 0.78 | 12.00 | 14.50 | | | | 33,000 | 3.88 | 21,000 | 2.66 | 8.2 | |
| FXM4X36**A* | - | TDR&TXV | 34,000 | 0.78 | 12.00 | 14.50 | | | | 34,000 | 3.86 | 21,400 | 2.62 | 8.2 | |
| FXM4X42**A* | - | TDR&TXV | 34,000 | 0.78 | 12.00 | 14.50 | | | | 34,000 | 3.86 | 21,400 | 2.62 | 8.2 | |
| H4H342GHE | ‡FS(M,U)4P42**A* | - | TDR | 41,000 | 0.76 | 11.00 | 13.00 | | | | 40,500 | 3.68 | 24,000 | 2.42 | 7.8 |
| | ED*4X42F** | *8MPV075 | TDR&TXV | 40,000 | 0.76 | 11.00 | 13.20 | | | | 39,000 | 3.56 | 23,600 | 2.38 | 7.7 |
| | ED*4X42F** | † | TXV | 40,000 | 0.76 | 11.00 | | | 13.00 | | 40,500 | 3.54 | 24,200 | 2.36 | 7.7 |

2010 ENERGY STAR compliance for combinations with all three: SEER 14.00 or higher and EER 11.00 or higher and HSPF 8.2 or higher.

† For coils not listed with a matching furnace or blower, coil rating applies with any indoor blower device.

- continued on next page -

COOLING & HEATING PERFORMANCE FOR COMBINATION RATINGS (continued) Indoor Models

For complete ratings information, use the AHRI website directory search: www.AHRIdirectory.org. New ratings may be listed online before Specification Sheets are updated.

| Outdoor Model | Indoor Model (‡ tested combo) | Furnace Model | Factory Installed | Cool 95° F (35° C) | | | SEER | | | Heat 47° F (8.3° C) | | Heat 17° F (-8.3° C) | | HSPF | |
|--------------------------|----------------------------------|----------------|-------------------|--------------------|-------|-------|---------|----------------|----------------|---------------------|--------|----------------------|--------|------|-----|
| | | | | BTU/hr | S / T | EER | factory | with field TDR | with field TXV | BTU/hr | COP | BTU/hr | COP | | |
| H4H342GHE (continued) | ED*4X42F** | MV12F19**B* | TDR&TXV | 40,000 | 0.76 | 11.50 | 14.00 | | | | 39,000 | 3.66 | 23,000 | 2.46 | 7.7 |
| | ED*4X42J** | † | TXV | 40,000 | 0.76 | 11.00 | | | 13.00 | | 40,000 | 3.54 | 24,200 | 2.36 | 7.7 |
| | ED*4X42J** | *8MPV100 | TDR&TXV | 40,000 | 0.76 | 11.50 | 14.00 | | | | 39,000 | 3.66 | 23,400 | 2.44 | 7.7 |
| | ED*4X42J** | *8MPV125 | TDR&TXV | 40,000 | 0.76 | 11.50 | 14.00 | | | | 39,000 | 3.68 | 23,400 | 2.44 | 7.7 |
| | ED*4X42J** | *8MV*1102120** | TDR&TXV | 40,000 | 0.76 | 11.50 | 13.50 | | | | 39,000 | 3.60 | 23,000 | 2.42 | 7.7 |
| | ED*4X42J** | *8MX*0902116** | TDR&TXV | 40,000 | 0.76 | 11.50 | 14.00 | | | | 39,000 | 3.62 | 23,200 | 2.42 | 7.7 |
| | ED*4X42J** | *8MX*1102120** | TDR&TXV | 40,000 | 0.76 | 11.50 | 14.00 | | | | 39,000 | 3.64 | 23,000 | 2.44 | 7.8 |
| | ED*4X42J** | *9MPV100 | TDR&TXV | 40,000 | 0.76 | 11.50 | 13.50 | | | | 39,000 | 3.62 | 23,600 | 2.42 | 7.7 |
| | ED*4X42J** | *9MVX080 | TDR&TXV | 40,000 | 0.76 | 11.50 | 13.50 | | | | 40,000 | 3.64 | 23,600 | 2.42 | 7.7 |
| | ED*4X42J** | MV16J22**B* | TDR&TXV | 40,000 | 0.76 | 11.50 | 14.00 | | | | 39,000 | 3.68 | 23,000 | 2.46 | 7.8 |
| | ED*4X42J** | NOMV156E19* | TDR&TXV | 39,500 | 0.76 | 11.50 | 13.50 | | | | 39,000 | 3.58 | 23,000 | 2.40 | 7.7 |
| | ED*4X42L** | OLV112A16A | TDR&TXV | 40,500 | 0.76 | 11.00 | 13.00 | | | | 40,000 | 3.58 | 23,600 | 2.38 | 7.7 |
| | ED*4X42L** | † | TXV | 40,000 | 0.76 | 11.00 | | | 13.00 | | 40,000 | 3.54 | 24,200 | 2.36 | 7.7 |
| | ED*4X42L** | *8MV*1352422** | TDR&TXV | 40,000 | 0.76 | 11.50 | 14.00 | | | | 39,000 | 3.64 | 23,000 | 2.44 | 7.8 |
| | ED*4X42L** | *8MX*1352420** | TDR&TXV | 40,000 | 0.76 | 11.50 | 14.00 | | | | 39,000 | 3.64 | 23,200 | 2.44 | 7.8 |
| | ED*4X42L** | *9MPV125 | TDR&TXV | 40,000 | 0.76 | 11.50 | 13.50 | | | | 39,000 | 3.64 | 23,400 | 2.44 | 7.7 |
| | ED*4X42L** | *9MVX100 | TDR&TXV | 40,000 | 0.76 | 11.50 | 13.50 | | | | 39,000 | 3.62 | 23,200 | 2.42 | 7.7 |
| | ED*4X42L** | MV20L24**B* | TDR&TXV | 40,000 | 0.76 | 11.50 | 14.00 | | | | 39,000 | 3.70 | 22,800 | 2.48 | 7.8 |
| | ED*4X42L** | OLV154F20A | TDR&TXV | 41,000 | 0.76 | 11.50 | 13.50 | | | | 40,000 | 3.70 | 23,800 | 2.46 | 7.7 |
| | ED*4X48F** | *9MPV075 | TDR&TXV | 40,000 | 0.76 | 11.00 | 13.20 | | | | 40,000 | 3.62 | 24,000 | 2.40 | 7.7 |
| | ED*4X48F** | *9MVX060 | TDR&TXV | 41,000 | 0.76 | 11.00 | 13.50 | | | | 40,000 | 3.66 | 24,000 | 2.42 | 7.7 |
| | ED*4X48F** | † | TXV | 41,000 | 0.76 | 11.00 | | | 13.00 | | 40,000 | 3.70 | 24,600 | 2.42 | 7.8 |
| | ED*4X48F** | *8MPV075 | TDR&TXV | 41,000 | 0.76 | 11.50 | 13.50 | | | | 40,000 | 3.72 | 23,800 | 2.44 | 7.8 |
| | ED*4X48F** | *8MV*0901716** | TDR&TXV | 41,000 | 0.76 | 11.50 | 14.00 | | | | 39,000 | 3.74 | 23,400 | 2.46 | 7.8 |
| | ED*4X48F** | *8MX*0701716** | TDR&TXV | 41,000 | 0.76 | 11.50 | 13.50 | | | | 40,000 | 3.66 | 24,000 | 2.42 | 7.8 |
| | ED*4X48F** | OLV112A16A | TDR&TXV | 41,500 | 0.76 | 11.50 | 13.50 | | | | 40,500 | 3.70 | 24,000 | 2.42 | 7.7 |
| | ED*4X48F** | OMV112K14A | TDR&TXV | 41,000 | 0.76 | 11.50 | 13.50 | | | | 40,000 | 3.68 | 23,800 | 2.44 | 7.7 |
| | ED*4X48F** | MV12F19**B* | TDR&TXV | 41,000 | 0.76 | 12.00 | 14.50 | | | | 39,000 | 3.82 | 23,400 | 2.52 | 8.2 |
| | ED*4X48J** | † | TXV | 41,000 | 0.76 | 11.00 | | | 13.00 | | 40,000 | 3.66 | 24,400 | 2.40 | 7.7 |
| | ED*4X48J** | *8MPV100 | TDR&TXV | 41,000 | 0.76 | 11.50 | 14.00 | | | | 40,000 | 3.76 | 23,600 | 2.48 | 7.8 |
| | ED*4X48J** | *8MPV125 | TDR&TXV | 41,000 | 0.76 | 11.50 | 14.00 | | | | 40,000 | 3.78 | 23,400 | 2.48 | 7.8 |
| | ED*4X48J** | *8MV*1102120** | TDR&TXV | 40,000 | 0.76 | 11.50 | 14.00 | | | | 39,000 | 3.70 | 23,200 | 2.46 | 7.8 |
| | ED*4X48J** | *8MX*0902116** | TDR&TXV | 41,000 | 0.76 | 11.50 | 14.00 | | | | 39,000 | 3.72 | 23,400 | 2.46 | 7.8 |
| | ED*4X48J** | *8MX*1102120** | TDR&TXV | 41,000 | 0.76 | 11.50 | 14.00 | | | | 39,000 | 3.74 | 23,200 | 2.48 | 7.8 |
| | ED*4X48J** | *9MPV100 | TDR&TXV | 41,000 | 0.76 | 11.50 | 13.50 | | | | 40,000 | 3.72 | 23,800 | 2.46 | 7.8 |
| | ED*4X48J** | *9MVX080 | TDR&TXV | 41,000 | 0.76 | 11.50 | 13.50 | | | | 40,000 | 3.72 | 23,800 | 2.46 | 7.8 |
| | ED*4X48J** | MV16J22**B* | TDR&TXV | 41,000 | 0.76 | 11.50 | 14.00 | | | | 39,000 | 3.80 | 23,200 | 2.52 | 7.8 |
| | ED*4X48J** | NOMV156E19* | TDR&TXV | 40,000 | 0.76 | 11.50 | 14.00 | | | | 39,000 | 3.68 | 23,200 | 2.44 | 7.7 |
| | ED*4X48J** | OLV112A16A | TDR&TXV | 41,000 | 0.76 | 11.50 | 13.50 | | | | 40,000 | 3.66 | 24,000 | 2.42 | 7.7 |
| | ED*4X48L** | † | TXV | 41,000 | 0.76 | 11.00 | | | 13.00 | | 40,000 | 3.66 | 24,400 | 2.40 | 7.7 |
| ED*4X48L** | *8MV*1352422** | TDR&TXV | 41,000 | 0.76 | 11.50 | 14.00 | | | | 39,000 | 3.74 | 23,000 | 2.48 | 7.8 | |
| ED*4X48L** | *8MX*1352420** | TDR&TXV | 41,000 | 0.76 | 11.50 | 14.00 | | | | 39,000 | 3.76 | 23,400 | 2.48 | 7.8 | |
| ED*4X48L** | *9MPV125 | TDR&TXV | 41,000 | 0.76 | 11.50 | 14.00 | | | | 40,000 | 3.76 | 23,600 | 2.48 | 7.8 | |

2010 ENERGY STAR compliance for combinations with all three: SEER 14.00 or higher and EER 11.00 or higher and HSPF 8.2 or higher.
 † For coils not listed with a matching furnace or blower, coil rating applies with any indoor blower device.

- continued on next page -

COOLING & HEATING PERFORMANCE FOR COMBINATION RATINGS (continued) Indoor Models

For complete ratings information, use the AHRI website directory search: www.AHRIdirectory.org. New ratings may be listed online before Specification Sheets are updated.

| Outdoor Model | Indoor Model (‡ tested combo) | Furnace Model | Factory Installed | Cool 95° F (35° C) | | | SEER | | | Heat 47° F (8.3° C) | | Heat 17° F (-8.3° C) | | HSPF | |
|--------------------------|----------------------------------|----------------|-------------------|--------------------|-------|-------|---------|----------------|----------------|---------------------|--------|----------------------|--------|------|-----|
| | | | | BTU/hr | S / T | EER | factory | with field TDR | with field TXV | BTU/hr | COP | BTU/hr | COP | | |
| H4H342GHE (continued) | ED*4X48L** | *9MVX100 | TDR&TXV | 41,000 | 0.76 | 11.50 | 14.00 | | | | 40,000 | 3.74 | 23,400 | 2.46 | 7.8 |
| | ED*4X48L** | MV20L24**B* | TDR&TXV | 41,000 | 0.76 | 11.50 | 14.00 | | | | 39,000 | 3.80 | 23,000 | 2.52 | 7.8 |
| | ED*4X48L** | OLV112A16A | TDR&TXV | 41,000 | 0.76 | 11.50 | 13.50 | | | | 40,000 | 3.68 | 23,800 | 2.42 | 7.7 |
| | ED*4X48L** | OLV154F20A | TDR&TXV | 42,000 | 0.76 | 11.50 | 14.00 | | | | 40,500 | 3.82 | 24,000 | 2.50 | 7.7 |
| | EHD4X42A** | *8MV*0701412** | TDR&TXV | 40,000 | 0.76 | 11.00 | 13.50 | | | | 39,000 | 3.64 | 23,600 | 2.42 | 7.8 |
| | EHD4X42A** | *8MX*0701716** | TDR&TXV | 40,000 | 0.76 | 11.00 | 13.50 | | | | 39,000 | 3.64 | 24,000 | 2.40 | 7.8 |
| | EHD4X42A** | *9MPV075 | TDR&TXV | 40,000 | 0.76 | 11.00 | 13.20 | | | | 40,000 | 3.60 | 24,000 | 2.38 | 7.7 |
| | EHD4X42A** | *9MVX060 | TDR&TXV | 40,000 | 0.76 | 11.00 | 13.50 | | | | 40,000 | 3.64 | 24,000 | 2.40 | 7.7 |
| | EHD4X42A** | OLV112A16A | TDR&TXV | 41,500 | 0.76 | 11.00 | 13.50 | | | | 40,500 | 3.66 | 24,000 | 2.42 | 7.7 |
| | EHD4X42A** | † | TXV | 40,000 | 0.76 | 11.00 | | | 13.00 | | 40,000 | 3.66 | 24,400 | 2.40 | 7.7 |
| | EHD4X42A** | *8MPV075 | TDR&TXV | 40,000 | 0.76 | 11.50 | 13.50 | | | | 40,000 | 3.68 | 23,800 | 2.44 | 7.8 |
| | EHD4X42A** | *8MPV100 | TDR&TXV | 40,000 | 0.76 | 11.50 | 14.00 | | | | 40,000 | 3.76 | 23,600 | 2.48 | 7.8 |
| | EHD4X42A** | *8MPV125 | TDR&TXV | 40,000 | 0.76 | 11.50 | 14.00 | | | | 40,000 | 3.78 | 23,600 | 2.50 | 7.8 |
| | EHD4X42A** | *8MV*0901716** | TDR&TXV | 40,000 | 0.76 | 11.50 | 14.00 | | | | 39,000 | 3.70 | 23,200 | 2.46 | 7.8 |
| | EHD4X42A** | *8MV*1102120** | TDR&TXV | 40,000 | 0.76 | 11.50 | 14.00 | | | | 39,000 | 3.72 | 23,400 | 2.46 | 7.8 |
| | EHD4X42A** | *8MV*1352422** | TDR&TXV | 40,000 | 0.76 | 11.50 | 14.00 | | | | 39,000 | 3.74 | 23,200 | 2.48 | 7.8 |
| | EHD4X42A** | *8MX*0902116** | TDR&TXV | 40,000 | 0.76 | 11.50 | 14.00 | | | | 39,000 | 3.74 | 23,400 | 2.48 | 7.8 |
| | EHD4X42A** | *8MX*1102120** | TDR&TXV | 40,000 | 0.76 | 11.50 | 14.00 | | | | 39,000 | 3.76 | 23,200 | 2.48 | 7.8 |
| | EHD4X42A** | *8MX*1352420** | TDR&TXV | 40,000 | 0.76 | 11.50 | 14.00 | | | | 39,000 | 3.74 | 23,400 | 2.48 | 7.8 |
| | EHD4X42A** | *9MPV100 | TDR&TXV | 40,000 | 0.76 | 11.50 | 14.00 | | | | 40,000 | 3.72 | 23,800 | 2.46 | 7.8 |
| | EHD4X42A** | *9MPV125 | TDR&TXV | 40,000 | 0.76 | 11.50 | 14.00 | | | | 40,000 | 3.74 | 23,600 | 2.48 | 7.8 |
| | EHD4X42A** | *9MVX080 | TDR&TXV | 40,000 | 0.76 | 11.50 | 14.00 | | | | 40,000 | 3.74 | 23,800 | 2.46 | 7.8 |
| | EHD4X42A** | *9MVX100 | TDR&TXV | 40,000 | 0.76 | 11.50 | 14.00 | | | | 40,000 | 3.72 | 23,400 | 2.46 | 7.8 |
| | EHD4X42A** | MV12F19**B* | TDR&TXV | 40,000 | 0.76 | 11.50 | 14.00 | | | | 39,000 | 3.78 | 23,200 | 2.52 | 7.8 |
| | EHD4X42A** | MV16J22**B* | TDR&TXV | 40,000 | 0.76 | 11.50 | 14.00 | | | | 39,000 | 3.80 | 23,200 | 2.52 | 7.8 |
| | EHD4X42A** | MV20L24**B* | TDR&TXV | 40,000 | 0.76 | 11.50 | 14.00 | | | | 39,000 | 3.80 | 23,200 | 2.52 | 7.8 |
| | EHD4X42A** | NOMV156E19* | TDR&TXV | 40,000 | 0.76 | 11.50 | 14.00 | | | | 39,000 | 3.68 | 23,200 | 2.46 | 7.8 |
| | EHD4X42A** | OLV154F20A | TDR&TXV | 42,000 | 0.76 | 11.50 | 14.00 | | | | 40,500 | 3.80 | 24,000 | 2.50 | 7.7 |
| | EHD4X42A** | OMV112K14A | TDR&TXV | 41,000 | 0.76 | 11.50 | 13.50 | | | | 40,000 | 3.66 | 23,600 | 2.42 | 7.7 |
| | EHD4X48A** | *9MPV075 | TDR&TXV | 41,000 | 0.76 | 11.00 | 13.50 | | | | 40,000 | 3.62 | 24,000 | 2.40 | 7.7 |
| | EHD4X48A** | † | TXV | 41,000 | 0.76 | 11.00 | | | 13.00 | | 40,000 | 3.68 | 24,600 | 2.42 | 7.8 |
| | EHD4X48A** | *8MPV075 | TDR&TXV | 41,000 | 0.76 | 11.50 | 14.00 | | | | 40,000 | 3.72 | 23,800 | 2.44 | 7.8 |
| | EHD4X48A** | *8MPV100 | TDR&TXV | 41,000 | 0.76 | 11.50 | 14.00 | | | | 40,000 | 3.80 | 23,600 | 2.50 | 7.8 |
| | EHD4X48A** | *8MPV125 | TDR&TXV | 41,000 | 0.76 | 11.50 | 14.00 | | | | 40,000 | 3.80 | 23,600 | 2.50 | 7.8 |
| | EHD4X48A** | *8MV*0701412** | TDR&TXV | 41,000 | 0.76 | 11.50 | 13.50 | | | | 39,000 | 3.66 | 23,600 | 2.42 | 7.8 |
| | EHD4X48A** | *8MV*0901716** | TDR&TXV | 41,000 | 0.76 | 11.50 | 14.00 | | | | 39,000 | 3.72 | 23,400 | 2.48 | 7.8 |
| | EHD4X48A** | *8MV*1102120** | TDR&TXV | 41,000 | 0.76 | 11.50 | 14.00 | | | | 39,000 | 3.74 | 23,400 | 2.48 | 7.8 |
| | EHD4X48A** | *8MV*1352422** | TDR&TXV | 41,000 | 0.76 | 11.50 | 14.00 | | | | 39,000 | 3.76 | 23,200 | 2.50 | 7.8 |
| | EHD4X48A** | *8MX*0701716** | TDR&TXV | 41,000 | 0.76 | 11.50 | 13.50 | | | | 40,000 | 3.66 | 24,000 | 2.42 | 7.8 |
| | EHD4X48A** | *8MX*0902116** | TDR&TXV | 41,000 | 0.76 | 11.50 | 14.00 | | | | 39,000 | 3.76 | 23,400 | 2.48 | 7.8 |
| EHD4X48A** | *8MX*1102120** | TDR&TXV | 41,000 | 0.76 | 11.50 | 14.00 | | | | 39,000 | 3.78 | 23,400 | 2.50 | 7.8 | |
| EHD4X48A** | *8MX*1352420** | TDR&TXV | 41,000 | 0.76 | 11.50 | 14.00 | | | | 39,000 | 3.76 | 23,400 | 2.48 | 7.8 | |
| EHD4X48A** | *9MPV100 | TDR&TXV | 41,000 | 0.76 | 11.50 | 14.00 | | | | 40,000 | 3.76 | 23,800 | 2.48 | 7.8 | |

2010 ENERGY STAR compliance for combinations with all three: SEER 14.00 or higher and EER 11.00 or higher and HSPF 8.2 or higher.

† For coils not listed with a matching furnace or blower, coil rating applies with any indoor blower device.

- continued on next page -

COOLING & HEATING PERFORMANCE FOR COMBINATION RATINGS (continued) Indoor Models

For complete ratings information, use the AHRI website directory search: www.AHRIdirectory.org. New ratings may be listed online before Specification Sheets are updated.

| Outdoor Model | Indoor Model (‡ tested combo) | Furnace Model | Factory Installed | Cool 95° F (35° C) | | | SEER | | | Heat 47° F (8.3° C) | | Heat 17° F (-8.3° C) | | HSPF | |
|--------------------------|----------------------------------|----------------|-------------------|--------------------|-------|-------|---------|----------------|----------------|---------------------|--------|----------------------|--------|------|-----|
| | | | | BTU/hr | S / T | EER | factory | with field TDR | with field TXV | BTU/hr | COP | BTU/hr | COP | | |
| H4H342GHE (continued) | EHD4X48A** | *9MPV125 | TDR&TXV | 41,000 | 0.76 | 11.50 | 14.00 | | | | 40,000 | 3.76 | 23,600 | 2.48 | 7.8 |
| | EHD4X48A** | *9MVX060 | TDR&TXV | 41,000 | 0.76 | 11.50 | 13.50 | | | | 40,000 | 3.66 | 24,000 | 2.42 | 7.7 |
| | EHD4X48A** | *9MVX080 | TDR&TXV | 41,000 | 0.76 | 11.50 | 14.00 | | | | 40,000 | 3.76 | 23,800 | 2.48 | 7.8 |
| | EHD4X48A** | *9MVX100 | TDR&TXV | 41,000 | 0.76 | 11.50 | 14.00 | | | | 40,000 | 3.76 | 23,600 | 2.48 | 7.8 |
| | EHD4X48A** | NOMV156E19* | TDR&TXV | 40,000 | 0.76 | 11.50 | 14.00 | | | | 39,000 | 3.70 | 23,200 | 2.46 | 7.8 |
| | EHD4X48A** | OLV112A16A | TDR&TXV | 41,500 | 0.76 | 11.50 | 13.50 | | | | 40,500 | 3.70 | 24,000 | 2.44 | 7.7 |
| | EHD4X48A** | OLV154F20A | TDR&TXV | 42,000 | 0.76 | 11.50 | 14.00 | | | | 40,500 | 3.84 | 24,200 | 2.50 | 8.0 |
| | EHD4X48A** | OMV112K14A | TDR&TXV | 41,500 | 0.76 | 11.50 | 13.50 | | | | 40,000 | 3.68 | 23,600 | 2.44 | 7.7 |
| | EHD4X48A** | MV12F19**B* | TDR&TXV | 41,000 | 0.76 | 12.00 | 14.50 | | | | 39,000 | 3.82 | 23,200 | 2.52 | 8.2 |
| | EHD4X48A** | MV16J22**B* | TDR&TXV | 41,000 | 0.76 | 12.00 | 14.50 | | | | 39,000 | 3.84 | 23,200 | 2.54 | 8.2 |
| | EHD4X48A** | MV20L24**B* | TDR&TXV | 41,000 | 0.76 | 12.00 | 14.50 | | | | 39,000 | 3.84 | 23,200 | 2.54 | 8.2 |
| | EMA4X48D** | † | TXV | 41,000 | 0.76 | 11.00 | | | 13.00 | | 40,000 | 3.60 | 24,400 | 2.38 | 7.7 |
| | EN(A,D)4X43*24** | † | TXV | 41,000 | 0.76 | 11.00 | | | 13.00 | | 40,000 | 3.74 | 24,600 | 2.44 | 7.8 |
| | EN(A,D)4X43*24** | OLV112A16A | TDR&TXV | 42,000 | 0.76 | 11.50 | 13.50 | | | | 40,500 | 3.76 | 24,000 | 2.46 | 7.7 |
| | EN(A,D)4X43*24** | *8MV*1352422** | TDR&TXV | 41,000 | 0.76 | 12.00 | 14.50 | | | | 39,000 | 3.84 | 23,200 | 2.54 | 8.2 |
| | EN(A,D)4X43*24** | *8MX*1352420** | TDR&TXV | 41,000 | 0.76 | 12.00 | 14.50 | | | | 39,500 | 3.86 | 23,400 | 2.54 | 8.2 |
| | EN(A,D)4X43*24** | *9MPV100 | TDR&TXV | 42,000 | 0.76 | 12.00 | 14.00 | | | | 40,500 | 3.84 | 23,800 | 2.52 | 8.0 |
| | EN(A,D)4X43*24** | *9MPV125 | TDR&TXV | 42,000 | 0.76 | 12.00 | 14.00 | | | | 40,000 | 3.86 | 23,600 | 2.52 | 8.0 |
| | EN(A,D)4X43*24** | *9MVX080 | TDR&TXV | 42,000 | 0.76 | 12.00 | 14.00 | | | | 40,500 | 3.84 | 24,000 | 2.52 | 8.0 |
| | EN(A,D)4X43*24** | *9MVX100 | TDR&TXV | 42,000 | 0.76 | 12.00 | 14.00 | | | | 40,000 | 3.84 | 23,600 | 2.52 | 8.0 |
| | EN(A,D)4X43*24** | OLV154F20A | TDR&TXV | 42,000 | 0.76 | 12.00 | 14.00 | | | | 40,500 | 3.92 | 24,000 | 2.54 | 8.0 |
| | EN(A,D)4X48*24** | † | TXV | 41,000 | 0.76 | 11.00 | | | 13.00 | | 40,000 | 3.66 | 24,400 | 2.40 | 7.8 |
| | EN(A,D)4X48*24** | *8MV*1352422** | TDR&TXV | 41,000 | 0.76 | 11.50 | 14.00 | | | | 39,000 | 3.76 | 23,200 | 2.50 | 7.8 |
| | EN(A,D)4X48*24** | *8MX*1352420** | TDR&TXV | 41,000 | 0.76 | 11.50 | 14.00 | | | | 39,000 | 3.76 | 23,400 | 2.48 | 7.8 |
| | EN(A,D)4X48*24** | *9MPV100 | TDR&TXV | 41,500 | 0.76 | 11.50 | 14.00 | | | | 40,000 | 3.74 | 23,800 | 2.46 | 7.7 |
| | EN(A,D)4X48*24** | *9MVX080 | TDR&TXV | 41,500 | 0.76 | 11.50 | 14.00 | | | | 40,000 | 3.76 | 23,800 | 2.48 | 7.7 |
| | EN(A,D)4X48*24** | *9MVX100 | TDR&TXV | 41,500 | 0.76 | 11.50 | 14.00 | | | | 40,000 | 3.74 | 23,400 | 2.48 | 7.7 |
| | EN(A,D)4X48*24** | OLV112A16A | TDR&TXV | 41,000 | 0.76 | 11.50 | 13.50 | | | | 40,000 | 3.68 | 23,800 | 2.42 | 7.7 |
| | EN(A,D)4X48*24** | OLV154F20A | TDR&TXV | 42,000 | 0.76 | 11.50 | 14.00 | | | | 40,500 | 3.82 | 24,000 | 2.50 | 8.0 |
| | EN(A,D)4X48*24** | *9MPV125 | TDR&TXV | 41,500 | 0.76 | 12.00 | 14.00 | | | | 40,000 | 3.76 | 23,600 | 2.48 | 7.7 |
| | EN(A,D,W)4X42*21** | *8MV*1102120** | TDR&TXV | 40,000 | 0.76 | 11.00 | 13.50 | | | | 39,000 | 3.60 | 23,200 | 2.40 | 7.7 |
| | EN(A,D,W)4X42*21** | † | TXV | 40,000 | 0.76 | 11.00 | | | 13.00 | | 40,000 | 3.56 | 24,200 | 2.36 | 7.7 |
| | EN(A,D,W)4X42*21** | *8MX*0902116** | TDR&TXV | 40,000 | 0.76 | 11.50 | 13.50 | | | | 39,000 | 3.60 | 23,200 | 2.42 | 7.7 |
| | EN(A,D,W)4X42*21** | *8MX*1102120** | TDR&TXV | 40,000 | 0.76 | 11.50 | 14.00 | | | | 39,000 | 3.62 | 23,000 | 2.42 | 7.7 |
| | EN(A,D,W)4X42*21** | *9MPV100 | TDR&TXV | 40,500 | 0.76 | 11.50 | 13.50 | | | | 39,500 | 3.60 | 23,600 | 2.40 | 7.7 |
| | EN(A,D,W)4X42*21** | *9MVX080 | TDR&TXV | 40,500 | 0.76 | 11.50 | 13.50 | | | | 40,000 | 3.62 | 23,600 | 2.40 | 7.7 |
| | EN(A,D,W)4X42*21** | NOMV156E19* | TDR&TXV | 39,500 | 0.76 | 11.50 | 13.50 | | | | 39,000 | 3.56 | 23,000 | 2.40 | 7.7 |
| | EN(A,D,W)4X48*21** | *9MPV075 | TDR&TXV | 41,000 | 0.76 | 11.00 | 13.00 | | | | 40,500 | 3.62 | 24,000 | 2.40 | 7.7 |
| | EN(A,D,W)4X48*21** | *9MVX060 | TDR&TXV | 41,000 | 0.76 | 11.00 | 13.00 | | | | 40,500 | 3.64 | 24,000 | 2.40 | 7.7 |
| | EN(A,D,W)4X48*21** | † | TXV | 41,000 | 0.76 | 11.00 | | | 13.00 | | 40,000 | 3.66 | 24,400 | 2.40 | 7.8 |
| EN(A,D,W)4X48*21** | *8MV*1102120** | TDR&TXV | 41,000 | 0.76 | 11.50 | 14.00 | | | | 39,000 | 3.72 | 23,200 | 2.48 | 7.8 | |
| EN(A,D,W)4X48*21** | *8MX*0902116** | TDR&TXV | 41,000 | 0.76 | 11.50 | 14.00 | | | | 39,000 | 3.74 | 23,400 | 2.48 | 7.8 | |
| EN(A,D,W)4X48*21** | *8MX*1102120** | TDR&TXV | 41,000 | 0.76 | 11.50 | 14.00 | | | | 39,000 | 3.78 | 23,200 | 2.50 | 7.8 | |

2010 ENERGY STAR compliance for combinations with all three: SEER 14.00 or higher and EER 11.00 or higher and HSPF 8.2 or higher.
 † For coils not listed with a matching furnace or blower, coil rating applies with any indoor blower device.

COOLING & HEATING PERFORMANCE FOR COMBINATION RATINGS (continued) Indoor Models

For complete ratings information, use the AHRI website directory search: www.AHRIdirectory.org. New ratings may be listed online before Specification Sheets are updated.

| Outdoor Model | Indoor Model (‡ tested combo) | Furnace Model | Factory Installed | Cool 95° F (35° C) | | | SEER | | | Heat 47° F (8.3° C) | | Heat 17° F (-8.3° C) | | HSPF | |
|--------------------------|----------------------------------|----------------|-------------------|--------------------|-------|-------|---------|----------------|----------------|---------------------|--------|----------------------|--------|------|-----|
| | | | | BTU/hr | S / T | EER | factory | with field TDR | with field TXV | BTU/hr | COP | BTU/hr | COP | | |
| H4H342GHE (continued) | EN(A,D,W)4X48*21** | *9MPV100 | TDR&TXV | 41,500 | 0.76 | 11.50 | 13.50 | | | | 40,000 | 3.74 | 23,800 | 2.46 | 7.7 |
| | EN(A,D,W)4X48*21** | *9MVX080 | TDR&TXV | 41,500 | 0.76 | 11.50 | 14.00 | | | | 40,000 | 3.76 | 23,800 | 2.48 | 7.7 |
| | EN(A,D,W)4X48*21** | NOMV156E19* | TDR&TXV | 40,000 | 0.76 | 11.50 | 14.00 | | | | 39,000 | 3.70 | 23,200 | 2.46 | 7.8 |
| | EN(A,D,W)4X48*21** | OLV112A16A | TDR&TXV | 41,000 | 0.76 | 11.50 | 13.50 | | | | 40,000 | 3.68 | 23,800 | 2.42 | 7.7 |
| | EN(A,D,W)4X48*21** | OMV112K14A | TDR&TXV | 41,000 | 0.76 | 11.50 | 13.50 | | | | 40,000 | 3.68 | 23,600 | 2.44 | 7.7 |
| | END4X42*17** | *8MX*0701716** | TDR&TXV | 40,000 | 0.76 | 11.00 | 13.20 | | | | 39,000 | 3.56 | 23,800 | 2.38 | 7.7 |
| | END4X42*17** | † | TXV | 40,000 | 0.76 | 11.00 | | | 13.00 | | 40,000 | 3.60 | 24,400 | 2.38 | 7.8 |
| | END4X42*17** | *8MV*0901716** | TDR&TXV | 40,000 | 0.76 | 11.50 | 13.50 | | | | 39,000 | 3.64 | 23,200 | 2.42 | 7.8 |
| | END4X42*17** | OMV112K14A | TDR&TXV | 40,500 | 0.76 | 11.50 | 13.50 | | | | 40,000 | 3.58 | 23,600 | 2.40 | 7.7 |
| | ENH4X42*21** | *8MV*0701412** | TDR&TXV | 40,000 | 0.76 | 11.00 | 13.50 | | | | 39,000 | 3.52 | 23,400 | 2.36 | 7.7 |
| | ENH4X42*21** | *8MX*0701716** | TDR&TXV | 40,000 | 0.76 | 11.00 | 13.20 | | | | 39,000 | 3.52 | 23,800 | 2.36 | 7.7 |
| | ENH4X42*21** | † | TXV | 40,000 | 0.76 | 11.00 | | | 13.00 | | 39,000 | 3.56 | 24,200 | 2.36 | 7.7 |
| | ENH4X42*21** | *8MV*0901716** | TDR&TXV | 40,000 | 0.76 | 11.50 | 13.50 | | | | 39,000 | 3.58 | 23,200 | 2.40 | 7.7 |
| | ENH4X42*21** | *8MV*1102120** | TDR&TXV | 40,000 | 0.76 | 11.50 | 13.50 | | | | 39,000 | 3.60 | 23,200 | 2.40 | 7.7 |
| | ENH4X42*21** | *8MV*1352422** | TDR&TXV | 40,000 | 0.76 | 11.50 | 14.00 | | | | 39,000 | 3.62 | 23,000 | 2.42 | 7.7 |
| | ENH4X42*21** | *8MX*0902116** | TDR&TXV | 40,000 | 0.76 | 11.50 | 13.50 | | | | 39,000 | 3.60 | 23,200 | 2.42 | 7.7 |
| | ENH4X42*21** | *8MX*1102120** | TDR&TXV | 40,000 | 0.76 | 11.50 | 13.50 | | | | 39,000 | 3.62 | 23,000 | 2.42 | 7.7 |
| | ENH4X42*21** | *8MX*1352420** | TDR&TXV | 40,000 | 0.76 | 11.50 | 13.50 | | | | 39,000 | 3.60 | 23,200 | 2.42 | 7.7 |
| | ENH4X42*21** | *9MPV100 | TDR&TXV | 40,500 | 0.76 | 11.50 | 13.50 | | | | 39,500 | 3.60 | 23,600 | 2.40 | 7.7 |
| | ENH4X42*21** | *9MVX080 | TDR&TXV | 40,500 | 0.76 | 11.50 | 13.50 | | | | 40,000 | 3.62 | 23,600 | 2.40 | 7.7 |
| | ENH4X42*21** | NOMV156E19* | TDR&TXV | 39,500 | 0.76 | 11.50 | 13.50 | | | | 39,000 | 3.56 | 23,000 | 2.40 | 7.7 |
| | ENH4X42*21** | OLV154F20A | TDR&TXV | 41,500 | 0.76 | 11.50 | 13.50 | | | | 40,000 | 3.68 | 24,000 | 2.44 | 7.7 |
| | ENH4X43*21** | *8MX*0701716** | TDR&TXV | 41,000 | 0.76 | 11.00 | 13.50 | | | | 39,500 | 3.72 | 24,000 | 2.44 | 7.8 |
| | ENH4X43*21** | † | TXV | 41,000 | 0.76 | 11.00 | | | 13.00 | | 39,000 | 3.74 | 24,600 | 2.44 | 7.8 |
| | ENH4X43*21** | *8MV*0701412** | TDR&TXV | 41,000 | 0.76 | 11.50 | 14.00 | | | | 39,000 | 3.72 | 23,600 | 2.46 | 7.8 |
| | ENH4X43*21** | *8MV*0901716** | TDR&TXV | 41,000 | 0.76 | 11.50 | 14.00 | | | | 39,000 | 3.78 | 23,400 | 2.50 | 7.8 |
| | ENH4X43*21** | *8MV*1102120** | TDR&TXV | 41,000 | 0.76 | 11.50 | 14.00 | | | | 39,000 | 3.80 | 23,400 | 2.50 | 8.0 |
| | ENH4X43*21** | *8MX*0902116** | TDR&TXV | 41,000 | 0.76 | 11.50 | 14.00 | | | | 39,500 | 3.82 | 23,400 | 2.52 | 7.8 |
| | ENH4X43*21** | *9MPV075 | TDR&TXV | 41,500 | 0.76 | 11.50 | 13.50 | | | | 40,500 | 3.68 | 24,200 | 2.42 | 7.7 |
| | ENH4X43*21** | *9MVX060 | TDR&TXV | 41,500 | 0.76 | 11.50 | 13.50 | | | | 40,500 | 3.72 | 24,200 | 2.44 | 7.7 |
| | ENH4X43*21** | *9MVX080 | TDR&TXV | 42,000 | 0.76 | 11.50 | 14.00 | | | | 40,500 | 3.82 | 24,000 | 2.50 | 8.0 |
| | ENH4X43*21** | NOMV156E19* | TDR&TXV | 40,000 | 0.76 | 11.50 | 14.00 | | | | 39,000 | 3.76 | 23,400 | 2.48 | 7.7 |
| | ENH4X43*21** | OLV112A16A | TDR&TXV | 42,000 | 0.76 | 11.50 | 13.50 | | | | 40,500 | 3.76 | 24,000 | 2.46 | 7.7 |
| | ENH4X43*21** | OMV112K14A | TDR&TXV | 41,500 | 0.76 | 11.50 | 14.00 | | | | 40,000 | 3.74 | 23,600 | 2.46 | 7.7 |
| | ENH4X43*21** | *8MV*1352422** | TDR&TXV | 41,000 | 0.76 | 12.00 | 14.50 | | | | 39,000 | 3.84 | 23,200 | 2.52 | 8.2 |
| | ENH4X43*21** | *8MX*1102120** | TDR&TXV | 41,000 | 0.76 | 12.00 | 14.50 | | | | 39,500 | 3.84 | 23,400 | 2.54 | 8.2 |
| | ENH4X43*21** | *8MX*1352420** | TDR&TXV | 41,000 | 0.76 | 12.00 | 14.50 | | | | 39,500 | 3.84 | 23,400 | 2.52 | 8.2 |
| | ENH4X43*21** | *9MPV100 | TDR&TXV | 42,000 | 0.76 | 12.00 | 14.00 | | | | 40,500 | 3.82 | 23,800 | 2.50 | 7.7 |
| | ENH4X43*21** | OLV154F20A | TDR&TXV | 42,000 | 0.76 | 12.00 | 14.00 | | | | 40,500 | 3.90 | 24,200 | 2.54 | 8.0 |
| | ENH4X48*21** | *8MX*0701716** | TDR&TXV | 41,000 | 0.76 | 11.00 | 13.50 | | | | 39,000 | 3.64 | 24,000 | 2.40 | 7.8 |
| ENH4X48*21** | *9MPV075 | TDR&TXV | 41,000 | 0.76 | 11.00 | 13.00 | | | | 40,500 | 3.62 | 24,000 | 2.40 | 7.7 | |
| ENH4X48*21** | *9MVX060 | TDR&TXV | 41,000 | 0.76 | 11.00 | 13.50 | | | | 40,500 | 3.64 | 24,000 | 2.40 | 7.7 | |
| ENH4X48*21** | † | TXV | 41,000 | 0.76 | 11.00 | | | 13.00 | | 40,000 | 3.66 | 24,400 | 2.40 | 7.8 | |

2010 ENERGY STAR compliance for combinations with all three: SEER 14.00 or higher and EER 11.00 or higher and HSPF 8.2 or higher.

† For coils not listed with a matching furnace or blower, coil rating applies with any indoor blower device.

- continued on next page -

COOLING & HEATING PERFORMANCE FOR COMBINATION RATINGS (continued) Indoor Models

For complete ratings information, use the AHRI website directory search: www.AHRIdirectory.org. New ratings may be listed online before Specification Sheets are updated.

| Outdoor Model | Indoor Model (‡ tested combo) | Furnace Model | Factory Installed | Cool 95° F (35° C) | | | SEER | | | Heat 47° F (8.3° C) | | Heat 17° F (-8.3° C) | | HSPF | |
|--------------------------|----------------------------------|----------------|-------------------|--------------------|-------|-------|---------|----------------|----------------|---------------------|--------|----------------------|--------|------|-----|
| | | | | BTU/hr | S / T | EER | factory | with field TDR | with field TXV | BTU/hr | COP | BTU/hr | COP | | |
| H4H342GHE (continued) | ENH4X48*21** | *8MV*0701412** | TDR&TXV | 40,000 | 0.76 | 11.50 | 13.50 | | | | 39,000 | 3.64 | 23,400 | 2.42 | 7.8 |
| | ENH4X48*21** | *8MV*0901716** | TDR&TXV | 41,000 | 0.76 | 11.50 | 14.00 | | | | 39,000 | 3.70 | 23,200 | 2.46 | 7.8 |
| | ENH4X48*21** | *8MV*1102120** | TDR&TXV | 41,000 | 0.76 | 11.50 | 14.00 | | | | 39,000 | 3.72 | 23,200 | 2.48 | 7.8 |
| | ENH4X48*21** | *8MV*1352422** | TDR&TXV | 41,000 | 0.76 | 11.50 | 14.00 | | | | 39,000 | 3.76 | 23,200 | 2.50 | 7.8 |
| | ENH4X48*21** | *8MX*0902116** | TDR&TXV | 41,000 | 0.76 | 11.50 | 14.00 | | | | 39,000 | 3.74 | 23,400 | 2.48 | 7.8 |
| | ENH4X48*21** | *8MX*1102120** | TDR&TXV | 41,000 | 0.76 | 11.50 | 14.00 | | | | 39,000 | 3.78 | 23,200 | 2.50 | 7.8 |
| | ENH4X48*21** | *8MX*1352420** | TDR&TXV | 41,000 | 0.76 | 11.50 | 14.00 | | | | 39,000 | 3.76 | 23,400 | 2.48 | 7.8 |
| | ENH4X48*21** | *9MPV100 | TDR&TXV | 41,500 | 0.76 | 11.50 | 14.00 | | | | 40,000 | 3.74 | 23,800 | 2.46 | 7.7 |
| | ENH4X48*21** | *9MVX080 | TDR&TXV | 41,500 | 0.76 | 11.50 | 14.00 | | | | 40,000 | 3.76 | 23,800 | 2.48 | 7.7 |
| | ENH4X48*21** | *9MVX100 | TDR&TXV | 41,500 | 0.76 | 11.50 | 14.00 | | | | 40,000 | 3.74 | 23,400 | 2.48 | 7.7 |
| | ENH4X48*21** | NOMV156E19* | TDR&TXV | 40,000 | 0.76 | 11.50 | 14.00 | | | | 39,000 | 3.70 | 23,200 | 2.46 | 7.8 |
| | ENH4X48*21** | OLV112A16A | TDR&TXV | 41,000 | 0.76 | 11.50 | 13.50 | | | | 40,000 | 3.68 | 23,800 | 2.42 | 7.7 |
| | ENH4X48*21** | OLV154F20A | TDR&TXV | 42,000 | 0.76 | 11.50 | 14.00 | | | | 40,500 | 3.82 | 24,000 | 2.50 | 8.0 |
| | ENH4X48*21** | OMV112K14A | TDR&TXV | 41,000 | 0.76 | 11.50 | 13.50 | | | | 40,000 | 3.68 | 23,600 | 2.44 | 7.7 |
| | ENH4X48*21** | *9MPV125 | TDR&TXV | 41,500 | 0.76 | 12.00 | 14.00 | | | | 40,000 | 3.76 | 23,600 | 2.48 | 7.7 |
| | FEM4P42**A* | - | TDR | 41,000 | 0.76 | 11.00 | 13.00 | | | | 40,000 | 3.72 | 23,800 | 2.46 | 8.0 |
| | FEM4P42**A*+TXV | - | TDR | 41,000 | 0.76 | 11.50 | | | | 13.50 | 40,000 | 3.72 | 23,800 | 2.46 | 8.0 |
| | FEM4P48**A* | - | TDR | 41,000 | 0.76 | 11.00 | 13.20 | | | | 40,000 | 3.74 | 23,600 | 2.48 | 8.0 |
| | FEM4P48**A*+TXV | - | TDR | 41,000 | 0.76 | 11.50 | | | | 14.00 | 39,500 | 3.74 | 23,600 | 2.48 | 8.0 |
| | FEM4X42**** | - | TDR&TXV | 41,000 | 0.76 | 11.50 | 13.50 | | | | 39,500 | 3.70 | 23,800 | 2.44 | 7.8 |
| | FEM4X48**** | - | TDR&TXV | 41,000 | 0.76 | 12.00 | 14.50 | | | | 40,000 | 3.84 | 23,800 | 2.52 | 8.2 |
| | FS(M,U)4P42**A*+TXV | - | TDR | 41,000 | 0.76 | 11.00 | | | | 13.50 | 40,500 | 3.66 | 24,000 | 2.42 | 7.8 |
| | FS(M,U)4P48**A* | - | TDR | 41,000 | 0.76 | 11.00 | 13.20 | | | | 40,000 | 3.74 | 24,200 | 2.46 | 7.8 |
| | FS(M,U)4P48**A*+TXV | - | TDR | 41,000 | 0.76 | 11.00 | | | | 13.50 | 40,000 | 3.74 | 24,200 | 2.46 | 7.8 |
| | FS(M,U)4X42**** | - | TDR&TXV | 40,000 | 0.76 | 11.00 | 13.00 | | | | 40,000 | 3.56 | 24,400 | 2.34 | 7.7 |
| | FS(M,U)4X48**** | - | TDR&TXV | 41,000 | 0.76 | 11.00 | 13.20 | | | | 40,000 | 3.64 | 24,600 | 2.40 | 7.7 |
| | FVM4X36**** | - | TDR&TXV | 40,000 | 0.76 | 11.50 | 14.00 | | | | 39,000 | 3.62 | 23,000 | 2.42 | 7.7 |
| | FVM4X48**** | - | TDR&TXV | 41,000 | 0.76 | 12.00 | 14.50 | | | | 39,000 | 3.82 | 23,200 | 2.52 | 8.2 |
| FXM4X42**A* | - | TDR&TXV | 41,000 | 0.76 | 11.50 | 14.00 | | | | 40,000 | 3.74 | 23,800 | 2.46 | 8.0 | |
| FXM4X48**A* | - | TDR&TXV | 41,000 | 0.76 | 12.00 | 14.50 | | | | 40,000 | 3.88 | 23,800 | 2.54 | 8.2 | |
| H4H348GHE H4H348GLE | ‡FS(M,U)4P48**A* | - | TDR | 47,000 | 0.76 | 11.00 | 13.00 | | | | 47,500 | 3.74 | 30,000 | 2.62 | 7.8 |
| | ED*4X48F** | † | TXV | 46,000 | 0.76 | 11.00 | | | 13.00 | 47,500 | 3.64 | 29,800 | 2.56 | 7.7 | |
| | ED*4X48F** | *8MV*0901716** | TDR&TXV | 46,000 | 0.76 | 11.50 | 13.50 | | | | 46,000 | 3.68 | 29,400 | 2.58 | 7.7 |
| | ED*4X48J** | *9MPV100 | TDR&TXV | 46,000 | 0.76 | 11.00 | 13.20 | | | | 46,000 | 3.64 | 29,800 | 2.56 | 7.7 |
| | ED*4X48J** | *9MVX080 | TDR&TXV | 46,000 | 0.76 | 11.00 | 13.20 | | | | 46,000 | 3.66 | 29,800 | 2.56 | 7.7 |
| | ED*4X48J** | † | TXV | 46,000 | 0.76 | 11.00 | | | 13.00 | 47,500 | 3.66 | 30,200 | 2.56 | 7.7 | |
| | ED*4X48J** | *8MPV100 | TDR&TXV | 46,000 | 0.76 | 11.50 | 13.50 | | | | 46,000 | 3.70 | 29,600 | 2.60 | 7.7 |
| | ED*4X48J** | *8MPV125 | TDR&TXV | 46,000 | 0.76 | 11.50 | 13.50 | | | | 46,000 | 3.72 | 29,400 | 2.60 | 7.7 |
| | ED*4X48J** | *8MV*1102120** | TDR&TXV | 46,000 | 0.76 | 11.50 | 13.50 | | | | 46,000 | 3.66 | 29,200 | 2.58 | 7.7 |
| | ED*4X48J** | *8MX*0902116** | TDR&TXV | 46,000 | 0.76 | 11.50 | 13.50 | | | | 46,000 | 3.68 | 29,400 | 2.58 | 7.7 |
| | ED*4X48J** | *8MX*1102120** | TDR&TXV | 46,000 | 0.76 | 11.50 | 13.50 | | | | 46,000 | 3.70 | 29,000 | 2.60 | 7.7 |
| | ED*4X48J** | MV16J22**B* | TDR&TXV | 46,000 | 0.76 | 11.50 | 14.00 | | | | 46,000 | 3.76 | 29,000 | 2.64 | 7.7 |
| ED*4X48J** | NOMV156E19* | TDR&TXV | 46,000 | 0.76 | 11.50 | 13.20 | | | | 46,000 | 3.64 | 29,400 | 2.56 | 7.8 | |

2010 ENERGY STAR compliance for combinations with all three: SEER 14.00 or higher and EER 11.00 or higher and HSPF 8.2 or higher.
 † For coils not listed with a matching furnace or blower, coil rating applies with any indoor blower device.

COOLING & HEATING PERFORMANCE FOR COMBINATION RATINGS (continued) Indoor Models

For complete ratings information, use the AHRI website directory search: www.AHRIdirectory.org. New ratings may be listed online before Specification Sheets are updated.

| Outdoor Model | Indoor Model (‡ tested combo) | Furnace Model | Factory Installed | Cool 95° F (35° C) | | | SEER | | | Heat 47° F (8.3° C) | | Heat 17° F (-8.3° C) | | HSPF | | |
|---------------------------------------|----------------------------------|----------------|-------------------|--------------------|-------|-------|---------|----------------|----------------|---------------------|--------|----------------------|--------|--------|------|-----|
| | | | | BTU/hr | S / T | EER | factory | with field TDR | with field TXV | BTU/hr | COP | BTU/hr | COP | | | |
| H4H348GHE H4H348GLE (continued) | ED*4X48L** | OLV154F20A | TDR&TXV | 47,000 | 0.76 | 11.00 | 13.00 | | | | 47,500 | 3.74 | 30,200 | 2.60 | 7.7 | |
| | ED*4X48L** | † | TXV | 46,000 | 0.76 | 11.00 | | 13.00 | | | 47,500 | 3.66 | 30,200 | 2.56 | 7.7 | |
| | ED*4X48L** | *8MV*1352422** | TDR&TXV | 46,000 | 0.76 | 11.50 | 13.50 | | | | 46,000 | 3.70 | 29,000 | 2.60 | 7.7 | |
| | ED*4X48L** | *8MX*1352420** | TDR&TXV | 46,000 | 0.76 | 11.50 | 13.50 | | | | 46,000 | 3.70 | 29,200 | 2.60 | 7.7 | |
| | ED*4X48L** | *9MPV125 | TDR&TXV | 46,000 | 0.76 | 11.50 | 13.50 | | | | 46,000 | 3.68 | 29,600 | 2.58 | 7.7 | |
| | ED*4X48L** | *9MVX100 | TDR&TXV | 46,000 | 0.76 | 11.50 | 13.50 | | | | 46,000 | 3.68 | 29,600 | 2.58 | 7.7 | |
| | ED*4X48L** | MV20L24**B* | TDR&TXV | 46,000 | 0.76 | 11.50 | 14.00 | | | | 46,000 | 3.78 | 28,800 | 2.66 | 7.8 | |
| | ED*4X60J** | † | TXV | 47,000 | 0.76 | 11.00 | | | 13.00 | | | 47,500 | 3.72 | 30,400 | 2.58 | 7.7 |
| | ED*4X60J** | *8MPV100 | TDR&TXV | 47,000 | 0.76 | 11.50 | 13.50 | | | | 46,000 | 3.76 | 29,800 | 2.64 | 7.8 | |
| | ED*4X60J** | *8MPV125 | TDR&TXV | 47,000 | 0.76 | 11.50 | 13.50 | | | | 46,000 | 3.78 | 29,600 | 2.64 | 7.8 | |
| | ED*4X60J** | *8MV*1102120** | TDR&TXV | 47,000 | 0.76 | 11.50 | 13.50 | | | | 46,000 | 3.72 | 29,400 | 2.62 | 7.8 | |
| | ED*4X60J** | *8MX*0902116** | TDR&TXV | 47,000 | 0.76 | 11.50 | 14.00 | | | | 46,000 | 3.74 | 29,400 | 2.62 | 7.8 | |
| | ED*4X60J** | *8MX*1102120** | TDR&TXV | 47,000 | 0.76 | 11.50 | 14.00 | | | | 46,000 | 3.76 | 29,200 | 2.66 | 7.8 | |
| | ED*4X60J** | *9MPV100 | TDR&TXV | 47,000 | 0.76 | 11.50 | 13.50 | | | | 46,000 | 3.72 | 29,800 | 2.60 | 7.7 | |
| | ED*4X60J** | *9MVX080 | TDR&TXV | 47,000 | 0.76 | 11.50 | 13.50 | | | | 46,000 | 3.72 | 30,000 | 2.60 | 7.7 | |
| | ED*4X60J** | MV16J22**B* | TDR&TXV | 47,000 | 0.76 | 11.50 | 14.00 | | | | 46,000 | 3.82 | 29,000 | 2.70 | 7.8 | |
| | ED*4X60J** | NOMV156E19* | TDR&TXV | 46,000 | 0.76 | 11.50 | 13.50 | | | | 46,000 | 3.68 | 29,400 | 2.60 | 7.7 | |
| | ED*4X60L** | † | TXV | 47,000 | 0.76 | 11.00 | | | 13.00 | | | 47,500 | 3.72 | 30,400 | 2.58 | 7.7 |
| | ED*4X60L** | *8MV*1352422** | TDR&TXV | 47,000 | 0.76 | 11.50 | 14.00 | | | | 46,000 | 3.74 | 29,200 | 2.64 | 7.8 | |
| | ED*4X60L** | *8MV*1352422** | TDR&TXV | 47,000 | 0.76 | 11.50 | 14.00 | | | | 46,000 | 3.74 | 29,200 | 2.64 | 7.8 | |
| | ED*4X60L** | *8MX*1352420** | TDR&TXV | 47,000 | 0.76 | 11.50 | 14.00 | | | | 46,000 | 3.76 | 29,400 | 2.64 | 7.8 | |
| | ED*4X60L** | *8MX*1352420** | TDR&TXV | 47,000 | 0.76 | 11.50 | 14.00 | | | | 46,000 | 3.76 | 29,400 | 2.64 | 7.8 | |
| | ED*4X60L** | *9MPV125 | TDR&TXV | 47,000 | 0.76 | 11.50 | 13.50 | | | | 46,000 | 3.74 | 29,800 | 2.62 | 7.7 | |
| | ED*4X60L** | *9MVX100 | TDR&TXV | 47,000 | 0.76 | 11.50 | 13.50 | | | | 46,000 | 3.72 | 29,600 | 2.62 | 7.7 | |
| | ED*4X60L** | MV20L24**B* | TDR&TXV | 47,000 | 0.76 | 11.50 | 14.00 | | | | 46,000 | 3.84 | 29,000 | 2.70 | 7.8 | |
| | ED*4X60L** | OLV154F20A | TDR&TXV | 48,000 | 0.76 | 11.50 | 13.50 | | | | 48,000 | 3.80 | 30,200 | 2.64 | 7.7 | |
| | EHD4X48A** | OLV154F20A | TDR&TXV | 47,500 | 0.76 | 11.00 | 13.00 | | | | 48,000 | 3.76 | 30,400 | 2.60 | 7.7 | |
| | EHD4X48A** | † | TXV | 46,000 | 0.76 | 11.00 | | | 13.00 | | | 47,500 | 3.72 | 30,400 | 2.58 | 7.8 |
| | EHD4X48A** | *8MPV100 | TDR&TXV | 46,000 | 0.76 | 11.50 | 13.50 | | | | 46,000 | 3.74 | 29,600 | 2.60 | 7.8 | |
| | EHD4X48A** | *8MPV125 | TDR&TXV | 46,000 | 0.76 | 11.50 | 13.50 | | | | 46,000 | 3.76 | 29,600 | 2.62 | 7.8 | |
| | EHD4X48A** | *8MV*0901716** | TDR&TXV | 46,000 | 0.76 | 11.50 | 13.50 | | | | 46,000 | 3.68 | 29,400 | 2.58 | 7.7 | |
| | EHD4X48A** | *8MV*1102120** | TDR&TXV | 46,000 | 0.76 | 11.50 | 13.50 | | | | 46,000 | 3.70 | 29,400 | 2.60 | 7.7 | |
| | EHD4X48A** | *8MV*1352422** | TDR&TXV | 46,000 | 0.76 | 11.50 | 13.50 | | | | 46,000 | 3.72 | 29,200 | 2.62 | 7.8 | |
| EHD4X48A** | *8MX*0902116** | TDR&TXV | 46,000 | 0.76 | 11.50 | 13.50 | | | | 46,000 | 3.72 | 29,400 | 2.60 | 7.8 | | |
| EHD4X48A** | *8MX*1102120** | TDR&TXV | 46,000 | 0.76 | 11.50 | 14.00 | | | | 46,000 | 3.74 | 29,000 | 2.62 | 7.8 | | |
| EHD4X48A** | *8MX*1352420** | TDR&TXV | 46,000 | 0.76 | 11.50 | 13.50 | | | | 46,000 | 3.72 | 29,200 | 2.60 | 7.8 | | |
| EHD4X48A** | *9MPV100 | TDR&TXV | 46,000 | 0.76 | 11.50 | 13.50 | | | | 46,000 | 3.68 | 29,800 | 2.58 | 7.7 | | |
| EHD4X48A** | *9MPV125 | TDR&TXV | 46,000 | 0.76 | 11.50 | 13.50 | | | | 46,000 | 3.70 | 29,600 | 2.60 | 7.7 | | |
| EHD4X48A** | *9MVX080 | TDR&TXV | 46,000 | 0.76 | 11.50 | 13.50 | | | | 46,000 | 3.70 | 29,800 | 2.58 | 7.7 | | |
| EHD4X48A** | *9MVX100 | TDR&TXV | 46,000 | 0.76 | 11.50 | 13.50 | | | | 46,000 | 3.70 | 29,600 | 2.58 | 7.7 | | |
| EHD4X48A** | MV16J22**B* | TDR&TXV | 46,000 | 0.76 | 11.50 | 14.00 | | | | 46,000 | 3.82 | 29,000 | 2.66 | 7.8 | | |
| EHD4X48A** | MV20L24**B* | TDR&TXV | 46,000 | 0.76 | 11.50 | 14.00 | | | | 46,000 | 3.80 | 29,000 | 2.66 | 7.8 | | |
| EHD4X48A** | NOMV156E19* | TDR&TXV | 46,000 | 0.76 | 11.50 | 13.50 | | | | 46,000 | 3.68 | 29,400 | 2.58 | 7.7 | | |

2010 ENERGY STAR compliance for combinations with all three: SEER 14.00 or higher and EER 11.00 or higher and HSPF 8.2 or higher.

† For coils not listed with a matching furnace or blower, coil rating applies with any indoor blower device.

- continued on next page -

COOLING & HEATING PERFORMANCE FOR COMBINATION RATINGS (continued) Indoor Models

For complete ratings information, use the AHRI website directory search: www.AHRIdirectory.org. New ratings may be listed online before Specification Sheets are updated.

| Outdoor Model | Indoor Model (‡ tested combo) | Furnace Model | Factory Installed | Cool 95° F (35° C) | | | SEER | | | Heat 47° F (8.3° C) | | Heat 17° F (-8.3° C) | | HSPF | | |
|---------------------------------------|----------------------------------|----------------|-------------------|--------------------|-------|-------|---------|----------------|----------------|---------------------|--------|----------------------|--------|--------|------|-----|
| | | | | BTU/hr | S / T | EER | factory | with field TDR | with field TXV | BTU/hr | COP | BTU/hr | COP | | | |
| H4H348GHE H4H348GLE (continued) | EHD4X60A** | *8MX*0701716** | TDR&TXV | 47,000 | 0.76 | 11.00 | 13.00 | | | | 46,000 | 3.64 | 30,400 | 2.54 | 7.7 | |
| | EHD4X60A** | OLV112A16A | TDR&TXV | 47,000 | 0.76 | 11.00 | 13.00 | | | | 47,500 | 3.70 | 30,000 | 2.58 | 7.7 | |
| | EHD4X60A** | † | TXV | 47,000 | 0.76 | 11.00 | | | 13.00 | | | 47,500 | 3.74 | 30,400 | 2.60 | 7.8 |
| | EHD4X60A** | *8MPV100 | TDR&TXV | 47,000 | 0.76 | 11.50 | 14.00 | | | | | 46,000 | 3.82 | 29,800 | 2.66 | 7.8 |
| | EHD4X60A** | *8MPV125 | TDR&TXV | 47,000 | 0.76 | 11.50 | 14.00 | | | | | 46,000 | 3.84 | 29,600 | 2.68 | 7.8 |
| | EHD4X60A** | *8MV*0901716** | TDR&TXV | 47,000 | 0.76 | 11.50 | 14.00 | | | | | 46,000 | 3.74 | 29,400 | 2.62 | 7.8 |
| | EHD4X60A** | *8MV*1102120** | TDR&TXV | 47,000 | 0.76 | 11.50 | 14.00 | | | | | 46,000 | 3.76 | 29,200 | 2.64 | 7.8 |
| | EHD4X60A** | *8MV*1352422** | TDR&TXV | 47,000 | 0.76 | 11.50 | 14.00 | | | | | 46,000 | 3.78 | 29,200 | 2.66 | 7.8 |
| | EHD4X60A** | *8MX*0902116** | TDR&TXV | 47,000 | 0.76 | 11.50 | 14.00 | | | | | 46,000 | 3.78 | 29,600 | 2.64 | 7.8 |
| | EHD4X60A** | *8MX*1102120** | TDR&TXV | 47,000 | 0.76 | 11.50 | 14.00 | | | | | 46,000 | 3.82 | 29,200 | 2.68 | 7.8 |
| | EHD4X60A** | *8MX*1352420** | TDR&TXV | 47,000 | 0.76 | 11.50 | 14.00 | | | | | 46,000 | 3.80 | 29,400 | 2.66 | 7.8 |
| | EHD4X60A** | *9MPV100 | TDR&TXV | 47,000 | 0.76 | 11.50 | 13.50 | | | | | 46,000 | 3.76 | 30,000 | 2.62 | 7.8 |
| | EHD4X60A** | *9MPV125 | TDR&TXV | 47,000 | 0.76 | 11.50 | 13.50 | | | | | 46,000 | 3.78 | 29,800 | 2.64 | 7.8 |
| | EHD4X60A** | *9MVX080 | TDR&TXV | 47,000 | 0.76 | 11.50 | 13.50 | | | | | 46,000 | 3.78 | 30,000 | 2.62 | 7.8 |
| | EHD4X60A** | *9MVX100 | TDR&TXV | 47,000 | 0.76 | 11.50 | 13.50 | | | | | 46,000 | 3.76 | 29,800 | 2.62 | 7.8 |
| | EHD4X60A** | MV16J22**B* | TDR&TXV | 47,000 | 0.76 | 11.50 | 14.00 | | | | | 46,000 | 3.86 | 29,000 | 2.70 | 8.0 |
| | EHD4X60A** | MV20L24**B* | TDR&TXV | 47,000 | 0.76 | 11.50 | 14.00 | | | | | 46,000 | 3.88 | 29,000 | 2.72 | 8.0 |
| | EHD4X60A** | NOMV156E19* | TDR&TXV | 47,000 | 0.76 | 11.50 | 13.50 | | | | | 46,000 | 3.74 | 29,400 | 2.62 | 7.8 |
| | EHD4X60A** | OLV154F20A | TDR&TXV | 48,000 | 0.76 | 11.50 | 13.50 | | | | | 48,000 | 3.84 | 30,200 | 2.66 | 7.7 |
| | EN(A,D)4X48*24** | *9MVX080 | TDR&TXV | 46,500 | 0.76 | 11.00 | 13.00 | | | | | 47,000 | 3.68 | 29,800 | 2.58 | 7.7 |
| | EN(A,D)4X48*24** | OLV154F20A | TDR&TXV | 47,000 | 0.76 | 11.00 | 13.00 | | | | | 47,500 | 3.74 | 30,200 | 2.60 | 7.7 |
| | EN(A,D)4X48*24** | † | TXV | 46,000 | 0.76 | 11.00 | | | 13.00 | | | 47,500 | 3.66 | 30,200 | 2.56 | 7.7 |
| | EN(A,D)4X48*24** | *8MV*1352422** | TDR&TXV | 46,000 | 0.76 | 11.50 | 13.50 | | | | | 46,000 | 3.70 | 29,000 | 2.62 | 7.7 |
| | EN(A,D)4X48*24** | *8MX*1352420** | TDR&TXV | 46,000 | 0.76 | 11.50 | 13.50 | | | | | 46,000 | 3.70 | 29,200 | 2.60 | 7.7 |
| | EN(A,D)4X48*24** | *9MPV100 | TDR&TXV | 46,500 | 0.76 | 11.50 | 13.00 | | | | | 47,000 | 3.68 | 29,800 | 2.58 | 7.7 |
| | EN(A,D)4X48*24** | *9MPV125 | TDR&TXV | 46,500 | 0.76 | 11.50 | 13.50 | | | | | 47,000 | 3.70 | 29,600 | 2.58 | 7.7 |
| | EN(A,D)4X48*24** | *9MVX100 | TDR&TXV | 46,500 | 0.76 | 11.50 | 13.50 | | | | | 47,000 | 3.68 | 29,600 | 2.58 | 7.7 |
| | EN(A,D)4X61*24** | † | TXV | 47,000 | 0.76 | 11.00 | | | 13.00 | | | 47,500 | 3.78 | 30,600 | 2.62 | 7.8 |
| | EN(A,D)4X61*24** | *8MV*1352422** | TDR&TXV | 47,000 | 0.76 | 11.50 | 14.00 | | | | | 46,000 | 3.84 | 29,200 | 2.68 | 7.8 |
| | EN(A,D)4X61*24** | *8MX*1352420** | TDR&TXV | 47,000 | 0.76 | 11.50 | 14.00 | | | | | 46,000 | 3.86 | 29,600 | 2.68 | 8.0 |
| | EN(A,D)4X61*24** | *9MPV100 | TDR&TXV | 48,000 | 0.76 | 11.50 | 13.50 | | | | | 47,500 | 3.82 | 30,000 | 2.64 | 7.7 |
| | EN(A,D)4X61*24** | *9MVX080 | TDR&TXV | 48,000 | 0.76 | 11.50 | 13.50 | | | | | 47,500 | 3.82 | 30,000 | 2.64 | 7.7 |
| | EN(A,D)4X61*24** | OLV112A16A | TDR&TXV | 47,500 | 0.76 | 11.50 | 13.50 | | | | | 47,500 | 3.74 | 30,200 | 2.60 | 7.7 |
| | EN(A,D)4X61*24** | OLV154F20A | TDR&TXV | 48,000 | 0.76 | 11.50 | 13.50 | | | | | 48,000 | 3.88 | 30,400 | 2.66 | 7.7 |
| | EN(A,D)4X61*24** | *9MPV125 | TDR&TXV | 48,000 | 0.76 | 12.00 | 14.00 | | | | | 47,500 | 3.82 | 29,800 | 2.66 | 7.7 |
| | EN(A,D)4X61*24** | *9MVX100 | TDR&TXV | 48,000 | 0.76 | 12.00 | 14.00 | | | | | 47,500 | 3.82 | 29,800 | 2.64 | 7.7 |
| EN(A,D,W)4X48*21** | † | TXV | 46,000 | 0.76 | 11.00 | | | 13.00 | | | 47,500 | 3.66 | 30,200 | 2.56 | 7.7 | |
| EN(A,D,W)4X48*21** | *8MV*1102120** | TDR&TXV | 46,000 | 0.76 | 11.50 | 13.50 | | | | | 46,000 | 3.68 | 29,200 | 2.60 | 7.7 | |
| EN(A,D,W)4X48*21** | *8MX*0902116** | TDR&TXV | 46,000 | 0.76 | 11.50 | 13.50 | | | | | 46,000 | 3.70 | 29,400 | 2.60 | 7.7 | |
| EN(A,D,W)4X48*21** | *8MX*1102120** | TDR&TXV | 46,000 | 0.76 | 11.50 | 13.50 | | | | | 46,000 | 3.72 | 29,000 | 2.62 | 7.8 | |
| EN(A,D,W)4X48*21** | *9MPV100 | TDR&TXV | 46,500 | 0.76 | 11.50 | 13.00 | | | | | 47,000 | 3.68 | 29,800 | 2.58 | 7.7 | |
| EN(A,D,W)4X48*21** | *9MVX080 | TDR&TXV | 46,500 | 0.76 | 11.50 | 13.00 | | | | | 47,000 | 3.68 | 29,800 | 2.58 | 7.7 | |
| EN(A,D,W)4X48*21** | NOMV156E19* | TDR&TXV | 46,000 | 0.76 | 11.50 | 13.50 | | | | | 46,000 | 3.66 | 29,200 | 2.58 | 7.7 | |

2010 ENERGY STAR compliance for combinations with all three: SEER 14.00 or higher and EER 11.00 or higher and HSPF 8.2 or higher.
 † For coils not listed with a matching furnace or blower, coil rating applies with any indoor blower device.

COOLING & HEATING PERFORMANCE FOR COMBINATION RATINGS (continued) Indoor Models

For complete ratings information, use the AHRI website directory search: www.AHRIdirectory.org. New ratings may be listed online before Specification Sheets are updated.

| Outdoor Model | Indoor Model (‡ tested combo) | Furnace Model | Factory Installed | Cool 95° F (35° C) | | | SEER | | | Heat 47° F (8.3° C) | | Heat 17° F (-8.3° C) | | HSPF |
|---------------------------------------|----------------------------------|----------------|-------------------|--------------------|-------|-------|---------|----------------|----------------|---------------------|--------|----------------------|------|------|
| | | | | BTU/hr | S / T | EER | factory | with field TDR | with field TXV | BTU/hr | COP | BTU/hr | COP | |
| H4H348GHE H4H348GLE (continued) | EN(A,D,W)4X60*24** | † | TXV | 47,000 | 0.76 | 11.00 | | 13.00 | | 47,500 | 3.70 | 30,400 | 2.58 | 7.8 |
| | EN(A,D,W)4X60*24** | *8MV*1352422** | TDR&TXV | 47,000 | 0.76 | 11.50 | 14.00 | | | 46,000 | 3.74 | 29,000 | 2.64 | 7.8 |
| | EN(A,D,W)4X60*24** | *8MX*1352420** | TDR&TXV | 47,000 | 0.76 | 11.50 | 14.00 | | | 46,000 | 3.76 | 29,400 | 2.64 | 7.8 |
| | EN(A,D,W)4X60*24** | *9MPV100 | TDR&TXV | 47,500 | 0.76 | 11.50 | 13.50 | | | 47,500 | 3.72 | 29,800 | 2.60 | 7.7 |
| | EN(A,D,W)4X60*24** | *9MPV125 | TDR&TXV | 47,500 | 0.76 | 11.50 | 13.50 | | | 47,000 | 3.74 | 29,800 | 2.62 | 7.7 |
| | EN(A,D,W)4X60*24** | *9MVX080 | TDR&TXV | 47,500 | 0.76 | 11.50 | 13.50 | | | 47,500 | 3.72 | 30,000 | 2.60 | 7.7 |
| | EN(A,D,W)4X60*24** | *9MVX100 | TDR&TXV | 47,000 | 0.76 | 11.50 | 13.50 | | | 47,000 | 3.72 | 29,600 | 2.62 | 7.7 |
| | EN(A,D,W)4X60*24** | OLV154F20A | TDR&TXV | 48,000 | 0.76 | 11.50 | 13.50 | | | 48,000 | 3.80 | 30,200 | 2.64 | 7.7 |
| | ENH4X48*21** | *9MVX080 | TDR&TXV | 46,500 | 0.76 | 11.00 | 13.00 | | | 47,000 | 3.68 | 29,800 | 2.58 | 7.7 |
| | ENH4X48*21** | † | TXV | 46,000 | 0.76 | 11.00 | | 13.00 | | 47,500 | 3.66 | 30,200 | 2.56 | 7.7 |
| | ENH4X48*21** | *8MV*0901716** | TDR&TXV | 46,000 | 0.76 | 11.50 | 13.50 | | | 46,000 | 3.66 | 29,200 | 2.58 | 7.7 |
| | ENH4X48*21** | *8MV*1102120** | TDR&TXV | 46,000 | 0.76 | 11.50 | 13.50 | | | 46,000 | 3.68 | 29,200 | 2.60 | 7.7 |
| | ENH4X48*21** | *8MV*1352422** | TDR&TXV | 46,000 | 0.76 | 11.50 | 13.50 | | | 46,000 | 3.70 | 29,000 | 2.62 | 7.7 |
| | ENH4X48*21** | *8MX*0902116** | TDR&TXV | 46,000 | 0.76 | 11.50 | 13.50 | | | 46,000 | 3.70 | 29,400 | 2.60 | 7.7 |
| | ENH4X48*21** | *8MX*1102120** | TDR&TXV | 46,000 | 0.76 | 11.50 | 14.00 | | | 46,000 | 3.72 | 29,000 | 2.62 | 7.8 |
| | ENH4X48*21** | *8MX*1352420** | TDR&TXV | 46,000 | 0.76 | 11.50 | 13.50 | | | 46,000 | 3.70 | 29,200 | 2.60 | 7.7 |
| | ENH4X48*21** | *9MPV100 | TDR&TXV | 46,500 | 0.76 | 11.50 | 13.00 | | | 47,000 | 3.68 | 29,800 | 2.58 | 7.7 |
| | ENH4X48*21** | *9MPV125 | TDR&TXV | 46,500 | 0.76 | 11.50 | 13.50 | | | 47,000 | 3.70 | 29,600 | 2.58 | 7.7 |
| | ENH4X48*21** | *9MVX100 | TDR&TXV | 46,500 | 0.76 | 11.50 | 13.50 | | | 47,000 | 3.68 | 29,600 | 2.58 | 7.7 |
| | ENH4X48*21** | NOMV156E19* | TDR&TXV | 46,000 | 0.76 | 11.50 | 13.50 | | | 46,000 | 3.66 | 29,200 | 2.58 | 7.7 |
| | ENH4X48*21** | OLV154F20A | TDR&TXV | 47,000 | 0.76 | 11.50 | 13.00 | | | 47,500 | 3.74 | 30,200 | 2.60 | 7.7 |
| | ENH4X60*24** | *8MX*0701716** | TDR&TXV | 47,000 | 0.76 | 11.00 | 13.00 | | | 46,000 | 3.60 | 30,400 | 2.54 | 7.7 |
| | ENH4X60*24** | † | TXV | 47,000 | 0.76 | 11.00 | | 13.00 | | 47,500 | 3.70 | 30,400 | 2.58 | 7.8 |
| | ENH4X60*24** | *8MV*0901716** | TDR&TXV | 47,000 | 0.76 | 11.50 | 13.50 | | | 46,000 | 3.70 | 29,200 | 2.62 | 7.7 |
| | ENH4X60*24** | *8MV*1102120** | TDR&TXV | 47,000 | 0.76 | 11.50 | 14.00 | | | 46,000 | 3.72 | 29,200 | 2.62 | 7.8 |
| | ENH4X60*24** | *8MV*1352422** | TDR&TXV | 47,000 | 0.76 | 11.50 | 14.00 | | | 46,000 | 3.74 | 29,000 | 2.64 | 7.8 |
| | ENH4X60*24** | *8MX*0902116** | TDR&TXV | 47,000 | 0.76 | 11.50 | 13.50 | | | 46,000 | 3.74 | 29,400 | 2.64 | 7.8 |
| | ENH4X60*24** | *8MX*1102120** | TDR&TXV | 47,000 | 0.76 | 11.50 | 14.00 | | | 46,000 | 3.78 | 29,200 | 2.66 | 7.8 |
| | ENH4X60*24** | *8MX*1352420** | TDR&TXV | 47,000 | 0.76 | 11.50 | 14.00 | | | 46,000 | 3.76 | 29,400 | 2.64 | 7.8 |
| | ENH4X60*24** | *9MPV100 | TDR&TXV | 47,500 | 0.76 | 11.50 | 13.50 | | | 47,500 | 3.72 | 29,800 | 2.60 | 7.7 |
| | ENH4X60*24** | *9MVX080 | TDR&TXV | 47,500 | 0.76 | 11.50 | 13.50 | | | 47,500 | 3.72 | 30,000 | 2.60 | 7.7 |
| | ENH4X60*24** | *9MVX100 | TDR&TXV | 47,000 | 0.76 | 11.50 | 13.50 | | | 47,000 | 3.72 | 29,600 | 2.62 | 7.7 |
| | ENH4X60*24** | NOMV156E19* | TDR&TXV | 46,000 | 0.76 | 11.50 | 13.50 | | | 46,000 | 3.70 | 29,400 | 2.62 | 7.7 |
| | ENH4X60*24** | OLV154F20A | TDR&TXV | 48,000 | 0.76 | 11.50 | 13.50 | | | 48,000 | 3.80 | 30,200 | 2.64 | 7.7 |
| ENH4X60*24** | *9MPV125 | TDR&TXV | 47,500 | 0.76 | 12.00 | 13.50 | | | 47,000 | 3.74 | 29,800 | 2.62 | 7.7 | |
| ENH4X61*24** | *8MX*0701716** | TDR&TXV | 47,000 | 0.76 | 11.00 | 13.00 | | | 46,000 | 3.64 | 30,400 | 2.54 | 7.7 | |
| ENH4X61*24** | † | TXV | 47,000 | 0.76 | 11.00 | | 13.00 | | 47,500 | 3.76 | 30,400 | 2.60 | 7.8 | |
| ENH4X61*24** | *8MV*0901716** | TDR&TXV | 47,000 | 0.76 | 11.50 | 13.50 | | | 46,000 | 3.74 | 29,400 | 2.62 | 7.8 | |
| ENH4X61*24** | *8MV*1102120** | TDR&TXV | 47,000 | 0.76 | 11.50 | 14.00 | | | 46,000 | 3.76 | 29,400 | 2.64 | 7.8 | |
| ENH4X61*24** | *8MV*1352422** | TDR&TXV | 47,000 | 0.76 | 11.50 | 14.00 | | | 46,000 | 3.78 | 29,200 | 2.66 | 7.8 | |
| ENH4X61*24** | *8MX*0902116** | TDR&TXV | 47,000 | 0.76 | 11.50 | 14.00 | | | 46,000 | 3.78 | 29,600 | 2.64 | 7.8 | |
| ENH4X61*24** | *8MX*1102120** | TDR&TXV | 47,000 | 0.76 | 11.50 | 14.00 | | | 46,000 | 3.80 | 29,200 | 2.66 | 7.8 | |
| ENH4X61*24** | *8MX*1352420** | TDR&TXV | 47,000 | 0.76 | 11.50 | 14.00 | | | 46,000 | 3.78 | 29,400 | 2.64 | 7.8 | |

2010 ENERGY STAR compliance for combinations with all three: SEER 14.00 or higher and EER 11.00 or higher and HSPF 8.2 or higher.

† For coils not listed with a matching furnace or blower, coil rating applies with any indoor blower device.

- continued on next page -

COOLING & HEATING PERFORMANCE FOR COMBINATION RATINGS (continued) Indoor Models

For complete ratings information, use the AHRI website directory search: www.AHRIdirectory.org. New ratings may be listed online before Specification Sheets are updated.

| Outdoor Model | Indoor Model (‡ tested combo) | Furnace Model | Factory Installed | Cool 95° F (35° C) | | | SEER | | | Heat 47° F (8.3° C) | | Heat 17° F (-8.3° C) | | HSPF | |
|---------------------------------------|----------------------------------|------------------|-------------------|--------------------|--------|-------|---------|----------------|----------------|---------------------|--------|----------------------|--------|--------|------|
| | | | | BTU/hr | S / T | EER | factory | with field TDR | with field TXV | BTU/hr | COP | BTU/hr | COP | | |
| H4H348GHE H4H348GLE (continued) | ENH4X61*24** | *9MPV100 | TDR&TXV | 47,500 | 0.76 | 11.50 | 13.50 | | | | 47,500 | 3.76 | 30,000 | 2.62 | 7.7 |
| | ENH4X61*24** | *9MPV125 | TDR&TXV | 47,500 | 0.76 | 11.50 | 13.50 | | | | 47,500 | 3.78 | 29,800 | 2.62 | 7.7 |
| | ENH4X61*24** | *9MVX080 | TDR&TXV | 47,500 | 0.76 | 11.50 | 13.50 | | | | 47,500 | 3.76 | 30,000 | 2.62 | 7.7 |
| | ENH4X61*24** | *9MVX100 | TDR&TXV | 47,500 | 0.76 | 11.50 | 13.50 | | | | 47,000 | 3.76 | 29,600 | 2.62 | 7.7 |
| | ENH4X61*24** | NOMV156E19* | TDR&TXV | 47,000 | 0.76 | 11.50 | 13.50 | | | | 46,000 | 3.72 | 29,400 | 2.62 | 7.8 |
| | ENH4X61*24** | OLV154F20A | TDR&TXV | 48,000 | 0.76 | 11.50 | 13.50 | | | | 48,000 | 3.84 | 30,400 | 2.64 | 7.7 |
| | FEM4P48**A* | - | TDR | 46,000 | 0.76 | 11.00 | 13.00 | | | | 46,000 | 3.66 | 29,800 | 2.58 | 7.8 |
| | FEM4P48**A*+TXV | - | TDR | 46,000 | 0.76 | 11.00 | | | | 13.50 | 46,000 | 3.68 | 29,800 | 2.58 | 7.8 |
| | FEM4P60**A* | - | TDR | 47,000 | 0.76 | 11.00 | 13.20 | | | | 47,000 | 3.78 | 29,800 | 2.64 | 7.8 |
| | FEM4P60**A*+TXV | - | TDR | 47,000 | 0.76 | 11.50 | | | | 14.00 | 47,000 | 3.78 | 29,800 | 2.64 | 7.8 |
| | FEM4X48**** | - | TDR&TXV | 47,000 | 0.76 | 11.50 | 13.50 | | | | 47,500 | 3.78 | 29,800 | 2.64 | 7.8 |
| | FEM4X60**** | - | TDR&TXV | 47,000 | 0.76 | 11.50 | 14.00 | | | | 47,000 | 3.90 | 29,800 | 2.70 | 7.8 |
| | FS(M,U)4P48**A*+TXV | - | TDR | 47,000 | 0.76 | 11.00 | | | | 13.50 | 46,000 | 3.74 | 30,000 | 2.62 | 7.8 |
| | FS(M,U)4X48**** | - | TDR&TXV | 46,000 | 0.76 | 11.00 | 13.00 | | | | 46,000 | 3.62 | 30,600 | 2.54 | 7.7 |
| | FS(M,U)4X60**A* | - | TDR&TXV | 47,000 | 0.76 | 11.00 | 13.20 | | | | 47,500 | 3.72 | 30,600 | 2.56 | 7.8 |
| | FVM4X48**** | - | TDR&TXV | 46,000 | 0.76 | 11.50 | 14.00 | | | | 46,000 | 3.76 | 29,000 | 2.66 | 7.8 |
| | FVM4X60**** | - | TDR&TXV | 47,000 | 0.76 | 12.00 | 14.50 | | | | 46,000 | 3.88 | 29,000 | 2.72 | 8.2 |
| | FXM4X48**A* | - | TDR&TXV | 47,000 | 0.76 | 11.50 | 14.00 | | | | 46,000 | 3.82 | 29,600 | 2.68 | 8.0 |
| | FXM4X60**A* | - | TDR&TXV | 47,000 | 0.76 | 12.00 | 14.50 | | | | 47,000 | 3.94 | 29,800 | 2.72 | 8.2 |
| | H4H360GHD H4H360GLD | ‡FS(M,U)4X60**** | - | TDR&TXV | 58,500 | 0.75 | 10.80 | 13.00 | | | | 58,000 | 3.52 | 37,000 | 2.50 |
| ED*4X60J** | | † | TXV | 58,000 | 0.75 | 10.80 | | | 13.00 | | 57,500 | 3.52 | 36,600 | 2.50 | 7.7 |
| ED*4X60J** | | *8MPV125 | TDR&TXV | 58,500 | 0.75 | 11.00 | 13.20 | | | | 57,500 | 3.56 | 36,600 | 2.54 | 7.7 |
| ED*4X60J** | | *8MV*1102120** | TDR&TXV | 58,000 | 0.75 | 11.00 | 13.20 | | | | 57,500 | 3.52 | 36,400 | 2.52 | 7.7 |
| ED*4X60J** | | *8MX*0902116** | TDR&TXV | 58,000 | 0.75 | 11.00 | 13.00 | | | | 57,000 | 3.50 | 36,200 | 2.52 | 7.7 |
| ED*4X60J** | | *8MX*1102120** | TDR&TXV | 58,500 | 0.75 | 11.00 | 13.50 | | | | 57,000 | 3.56 | 36,200 | 2.54 | 7.7 |
| ED*4X60J** | | MV16J22**B* | TDR&TXV | 59,000 | 0.75 | 11.00 | 13.50 | | | | 57,000 | 3.62 | 36,000 | 2.58 | 7.8 |
| ED*4X60L** | | † | TXV | 58,000 | 0.75 | 10.80 | | | 13.00 | | 57,500 | 3.52 | 36,600 | 2.50 | 7.7 |
| ED*4X60L** | | *8MV*1352422** | TDR&TXV | 58,000 | 0.75 | 11.00 | 13.20 | | | | 57,000 | 3.54 | 36,200 | 2.54 | 7.7 |
| ED*4X60L** | | *8MX*1352420** | TDR&TXV | 58,000 | 0.75 | 11.00 | 13.00 | | | | 57,000 | 3.50 | 36,200 | 2.52 | 7.7 |
| ED*4X60L** | | MV20L24**B* | TDR&TXV | 59,000 | 0.75 | 11.00 | 13.50 | | | | 57,000 | 3.62 | 36,000 | 2.58 | 7.8 |
| EHD4X60A** | | † | TXV | 58,500 | 0.75 | 10.80 | | | 13.00 | | 58,000 | 3.54 | 36,600 | 2.52 | 7.7 |
| EHD4X60A** | | *8MPV125 | TDR&TXV | 58,500 | 0.75 | 11.00 | 13.20 | | | | 58,500 | 3.60 | 36,600 | 2.54 | 7.7 |
| EHD4X60A** | | *8MV*1102120** | TDR&TXV | 58,500 | 0.75 | 11.00 | 13.20 | | | | 58,000 | 3.54 | 36,400 | 2.54 | 7.7 |
| EHD4X60A** | | *8MX*0902116** | TDR&TXV | 58,000 | 0.75 | 11.00 | 13.00 | | | | 57,500 | 3.52 | 36,200 | 2.52 | 7.7 |
| EHD4X60A** | | *8MX*1102120** | TDR&TXV | 58,500 | 0.75 | 11.00 | 13.50 | | | | 57,500 | 3.58 | 36,200 | 2.56 | 7.7 |
| EHD4X60A** | | *8MX*1352420** | TDR&TXV | 58,500 | 0.75 | 11.00 | 13.00 | | | | 57,500 | 3.54 | 36,200 | 2.54 | 7.7 |
| EHD4X60A** | | *8MV*1352422** | TDR&TXV | 58,500 | 0.75 | 11.20 | 13.50 | | | | 57,500 | 3.58 | 36,200 | 2.56 | 7.7 |

2010 ENERGY STAR compliance for combinations with all three: SEER 14.00 or higher and EER 11.00 or higher and HSPF 8.2 or higher.

† For coils not listed with a matching furnace or blower, coil rating applies with any indoor blower device.

- continued on next page -

COOLING & HEATING PERFORMANCE FOR COMBINATION RATINGS (continued) Indoor Models

For complete ratings information, use the AHRI website directory search: www.AHRIdirectory.org. New ratings may be listed online before Specification Sheets are updated.

| Outdoor Model | Indoor Model (‡ tested combo) | Furnace Model | Factory Installed | Cool 95° F (35° C) | | | SEER | | | Heat 47° F (8.3° C) | | Heat 17° F (-8.3° C) | | HSPF |
|---------------------------------------|----------------------------------|----------------|-------------------|--------------------|-------|-------|---------|----------------|----------------|---------------------|--------|----------------------|------|------|
| | | | | BTU/hr | S / T | EER | factory | with field TDR | with field TXV | BTU/hr | COP | BTU/hr | COP | |
| H4H360GHD H4H360GLD (continued) | EHD4X60A** | MV16J22**B* | TDR&TXV | 59,000 | 0.75 | 11.50 | 13.50 | | | 57,500 | 3.66 | 36,000 | 2.60 | 7.9 |
| | EHD4X60A** | MV20L24**B* | TDR&TXV | 59,000 | 0.75 | 11.50 | 13.50 | | | 57,500 | 3.66 | 36,000 | 2.60 | 7.9 |
| | EN(A,D)4X61*24** | † | TXV | 59,000 | 0.75 | 11.00 | | 13.00 | | 58,000 | 3.60 | 36,800 | 2.54 | 7.7 |
| | EN(A,D)4X61*24** | *8MV*1352422** | TDR&TXV | 59,000 | 0.75 | 11.20 | 13.50 | | | 57,500 | 3.64 | 36,200 | 2.58 | 7.7 |
| | EN(A,D)4X61*24** | *8MX*1352420** | TDR&TXV | 59,000 | 0.75 | 11.20 | 13.50 | | | 57,500 | 3.62 | 36,200 | 2.56 | 7.7 |
| | EN(A,D,W)4X60*24** | † | TXV | 58,000 | 0.75 | 10.80 | | 13.00 | | 58,000 | 3.46 | 36,600 | 2.50 | 7.7 |
| | EN(A,D,W)4X60*24** | *8MV*1352422** | TDR&TXV | 58,000 | 0.75 | 11.00 | 13.20 | | | 57,500 | 3.48 | 36,000 | 2.54 | 7.7 |
| | EN(A,D,W)4X60*24** | *8MX*1352420** | TDR&TXV | 58,000 | 0.75 | 11.00 | 13.00 | | | 57,500 | 3.46 | 36,000 | 2.52 | 7.7 |
| | ENH4X60*24** | † | TXV | 58,000 | 0.75 | 10.80 | | 13.00 | | 58,000 | 3.46 | 36,600 | 2.50 | 7.7 |
| | ENH4X60*24** | *8MV*1102120** | TDR&TXV | 58,000 | 0.75 | 11.00 | 13.20 | | | 57,500 | 3.46 | 36,200 | 2.50 | 7.7 |
| | ENH4X60*24** | *8MV*1352422** | TDR&TXV | 58,000 | 0.75 | 11.00 | 13.20 | | | 57,500 | 3.48 | 36,000 | 2.54 | 7.7 |
| | ENH4X60*24** | *8MX*0902116** | TDR&TXV | 57,500 | 0.75 | 11.00 | 13.00 | | | 57,500 | 3.44 | 36,200 | 2.50 | 7.7 |
| | ENH4X60*24** | *8MX*1102120** | TDR&TXV | 58,000 | 0.75 | 11.00 | 13.50 | | | 57,500 | 3.50 | 36,000 | 2.54 | 7.7 |
| | ENH4X60*24** | *8MX*1352420** | TDR&TXV | 58,000 | 0.75 | 11.00 | 13.00 | | | 57,500 | 3.46 | 36,000 | 2.52 | 7.7 |
| | ENH4X61*24** | *8MV*1102120** | TDR&TXV | 58,500 | 0.75 | 11.00 | 13.00 | | | 57,500 | 3.54 | 36,600 | 2.52 | 7.7 |
| | ENH4X61*24** | *8MV*1352422** | TDR&TXV | 58,500 | 0.75 | 11.00 | 13.00 | | | 57,000 | 3.58 | 36,200 | 2.56 | 7.7 |
| | ENH4X61*24** | *8MX*1352420** | TDR&TXV | 58,000 | 0.75 | 11.00 | 13.00 | | | 57,000 | 3.54 | 36,200 | 2.54 | 7.7 |
| | ENH4X61*24** | † | TXV | 58,500 | 0.75 | 11.00 | | 13.00 | | 57,500 | 3.56 | 36,800 | 2.52 | 7.7 |
| | ENH4X61*24** | *8MX*1102120** | TDR&TXV | 58,500 | 0.75 | 11.20 | 13.50 | | | 57,000 | 3.58 | 36,200 | 2.56 | 7.7 |
| | FEM4X60**** | - | TDR&TXV | 59,000 | 0.75 | 11.20 | 13.50 | | | 57,000 | 3.66 | 36,200 | 2.58 | 7.7 |
| FS(M,U)4X60**A* | - | TDR&TXV | 58,500 | 0.75 | 10.80 | 13.00 | | | 58,000 | 3.52 | 37,000 | 2.50 | 7.7 | |
| FVM4X60**** | - | TDR&TXV | 59,500 | 0.75 | 11.50 | 14.00 | | | 57,000 | 3.68 | 36,000 | 2.60 | 8.0 | |
| FXM4X60**A* | - | TDR&TXV | 59,000 | 0.75 | 11.50 | 13.50 | | | 57,000 | 3.68 | 36,000 | 2.60 | 7.8 | |

2010 ENERGY STAR compliance for combinations with all three: SEER 14.00 or higher and EER 11.00 or higher and HSPF 8.2 or higher.

† For coils not listed with a matching furnace or blower, coil rating applies with any indoor blower device.



This product has been designed and manufactured to meet ENERGY STAR criteria for energy efficiency when matched with appropriate coil components. However, proper refrigerant charge and proper air flow are critical to achieve rated capacity and efficiency. Installation of this product should follow the manufacturer's refrigerant charging and air flow instructions. Failure to confirm proper charge and airflow may reduce energy efficiency and shorten equipment life.

| ACCESSORY USAGE GUIDELINES | | | |
|-----------------------------------|---|---|--|
| Accessory | REQUIRED FOR APPLICATIONS IN SNOW-BELT REGION | REQUIRED FOR LOW-AMBIENT APPLICATIONS {Below 55°F (13°C)} | REQUIRED FOR LONG-LINE APPLICATIONS* {Over 80 Ft. (24.4m)} |
| Evaporator Freeze Thermostat | No | Yes | No |
| Accumulator | Standard (factory installed) | Standard (factory installed) | Standard (factory installed) |
| Support Feet, 4" (102mm) tall | Yes | Recommended | No |
| Liquid Line Solenoid Valve | No | No | See Long-Line Application Guideline |

* For Line Set lengths between 80 and 200 ft (24.4 and 61m) horizontal. or more than 20 ft (6.1m) indoor-outdoor vertical separation, refer to the Long Line Application Guideline document.

| ACCESSORIES | | |
|--------------------|--|--------------------|
| Part Number | Description | Used On Model Size |
| NASA001FS | Evaporator Freeze Thermostat | ALL |
| NASA001LS | Liquid Line Solenoid Valve, HP, R-22 or R-410A | ALL |
| NASA001TD | Time Delay Relay, Indoor Blower | ALL |
| NASA001AC | Anti-Cycle Timer (5 minute delay) | ALL |
| NASA001SF | Support Feet, 4" (102mm) tall | ALL |
| NASA00106SS | Snow Stand Kit | ALL |
| AXWR01DFC | Fossil Fuel Kit | ALL |
| EBAC06TXVX | TXV Kit, R-410A - 2005-2009 R-22 TXV Fancoils (air handlers) | 30, 36, 42, 48 |
| EBAC07TXVX | TXV Kit, R-410A - 2005-2009 R-22 TXV Fancoils (air handlers) | 60 |
| NAEA40601TX | TXV Kit, R-410A - 2010 and later Piston Coils | 30, 36, 42, 48 |
| NAEA40701TX | TXV Kit, R-410A - 2010 and later Piston Coils | 60 |