

### EFFICIENT 13 SEER 3-PHASE AIR CONDITIONER

#### 3 THRU 5 TONS SPLIT SYSTEM

208 / 230 Volt, 3-phase, 60 Hz

460 Volt, 3-phase, 60 Hz

#### REFRIGERATION CIRCUIT

- Copeland SCROLL compressors on all models
- Crankcase Heaters factory installed on all models
- Filter-Drier supplied with every unit for field installation
- Copper tube / aluminum fin coil
- High and Low pressure switches
- 3½, 4, & 5 ton models have 2-row coil for reduced height

#### PERFORMANCE

- 2-speed Fan Motors factory wired on all models
- Compressor Sound Jacket standard

#### EASY TO INSTALL AND SERVICE

- Easy Access service valves on all models
- Compressor access panel
- New, innovative control box design
- External high and low refrigerant service ports
- Fan motor in-line disconnect plug
- Only two screws to access control panel
- Factory charged with R-22 refrigerant

#### BUILT TO LAST

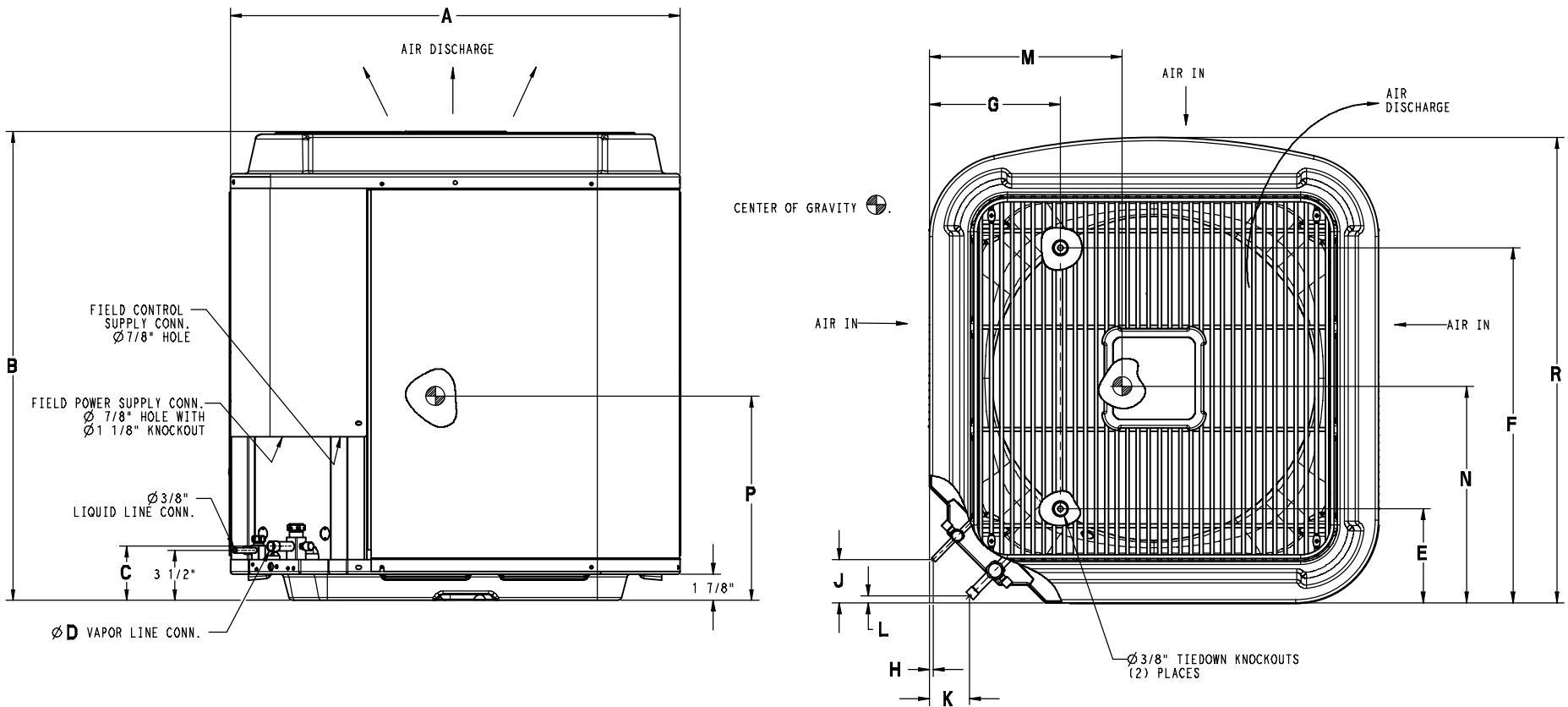
- High gloss, baked-on powder coat finish over galvanized steel
- Post-painted (black) coil fins
- SermaGard® coated cabinet screws
- Coated inlet grille with 3/8" spacing for extra protection
- Corner Posts for extra strength and style
- 5 year limited compressor, 1 year limited coil and parts warranties



Rated in accordance with ARI Standard 210. Certification applies only when used with proper components as listed with ARI.



Model Number	Voltage	Size (tons)	Nominal Btu/hr	Min. Circuit Ampacity	Max. Fuse or Breaker	Operating Dim's h x w x d (in)	Ship / Operating Weight (lbs)
H2A336GHA	208/230	3	36,000	14.8	20	46 <sup>15</sup> / <sub>16</sub> x 35 x 36 <sup>9</sup> / <sub>16</sub>	264 / 229
H2A336GLA	460			7.9	15		
H2A342GHA	208/230	3½	42,000	16.9	25	33 <sup>5</sup> / <sub>16</sub> x 35 x 36 <sup>9</sup> / <sub>16</sub>	280 / 247
H2A342GLA	460			7.8	15		
H2A348GHA	208/230	4	48,000	17.8	25	36 <sup>3</sup> / <sub>4</sub> x 35 x 36 <sup>9</sup> / <sub>16</sub>	300 / 266
H2A348GLA	460			8.2	15		
H2A360GHA	208/230	5	60,000	21.2	30	46 <sup>15</sup> / <sub>16</sub> x 35 x 36 <sup>9</sup> / <sub>16</sub>	314 / 279
H2A360GLA	460			9.7	15		



Model * = H or L	All Dimensions Inches															Minimum Mounting Pad Size	Crated Dimensions B(h) x A(w) x R(d)
	A	B	C	D	E	F	G	H	J	K	L	M	N	P	R		
H2A336G*A	35	46 <sup>15</sup> / <sub>16</sub>	3 <sup>3</sup> / <sub>4</sub>	3 <sup>4</sup> / <sub>4</sub>	6 <sup>9</sup> / <sub>16</sub>	24 <sup>11</sup> / <sub>16</sub>	9 <sup>1</sup> / <sub>8</sub>	5 <sup>5</sup> / <sub>16</sub>	3	2 <sup>13</sup> / <sub>16</sub>	1 <sup>1</sup> / <sub>2</sub>	19 <sup>3</sup> / <sub>4</sub>	18	21 <sup>1</sup> / <sub>4</sub>	36 <sup>9</sup> / <sub>16</sub>	35 x 36 <sup>1</sup> / <sub>2</sub>	50 <sup>13</sup> / <sub>16</sub> x 36 <sup>1</sup> / <sub>8</sub> x 37 <sup>3</sup> / <sub>4</sub>
H2A342G*A	35	33 <sup>5</sup> / <sub>16</sub>	3 <sup>7</sup> / <sub>8</sub>	7 <sup>7</sup> / <sub>8</sub>	6 <sup>9</sup> / <sub>16</sub>	24 <sup>11</sup> / <sub>16</sub>	9 <sup>1</sup> / <sub>8</sub>	5 <sup>5</sup> / <sub>16</sub>	3	2 <sup>15</sup> / <sub>16</sub>	5 <sup>5</sup> / <sub>8</sub>	17 <sup>3</sup> / <sub>8</sub>	18 <sup>7</sup> / <sub>8</sub>	14 <sup>3</sup> / <sub>4</sub>	36 <sup>9</sup> / <sub>16</sub>	35 x 36 <sup>1</sup> / <sub>2</sub>	37 <sup>1</sup> / <sub>4</sub> x 36 <sup>1</sup> / <sub>8</sub> x 37 <sup>3</sup> / <sub>4</sub>
H2A348G*A	35	36 <sup>3</sup> / <sub>4</sub>	3 <sup>7</sup> / <sub>8</sub>	7 <sup>7</sup> / <sub>8</sub>	6 <sup>9</sup> / <sub>16</sub>	28 <sup>7</sup> / <sub>16</sub>	9 <sup>1</sup> / <sub>8</sub>	5 <sup>5</sup> / <sub>16</sub>	3	2 <sup>15</sup> / <sub>16</sub>	5 <sup>5</sup> / <sub>8</sub>	19	18	15 <sup>1</sup> / <sub>4</sub>	36 <sup>9</sup> / <sub>16</sub>	35 x 36 <sup>1</sup> / <sub>2</sub>	40 <sup>5</sup> / <sub>8</sub> x 36 <sup>1</sup> / <sub>8</sub> x 37 <sup>3</sup> / <sub>4</sub>
H2A360G*A	35	46 <sup>15</sup> / <sub>16</sub>	3 <sup>7</sup> / <sub>8</sub>	7 <sup>7</sup> / <sub>8</sub>	6 <sup>9</sup> / <sub>16</sub>	28 <sup>7</sup> / <sub>16</sub>	9 <sup>1</sup> / <sub>8</sub>	5 <sup>5</sup> / <sub>16</sub>	3	2 <sup>15</sup> / <sub>16</sub>	5 <sup>5</sup> / <sub>8</sub>	20 <sup>1</sup> / <sub>2</sub>	19 <sup>3</sup> / <sub>4</sub>	18 <sup>1</sup> / <sub>2</sub>	36 <sup>9</sup> / <sub>16</sub>	35 x 36 <sup>1</sup> / <sub>2</sub>	50 <sup>13</sup> / <sub>16</sub> x 36 <sup>1</sup> / <sub>8</sub> x 37 <sup>3</sup> / <sub>4</sub>

PHYSICAL DATA								
Model Size	36GH	36GL	42GH	42GL	48GH	48GL	60GH	60GL
Nominal Cooling Capacity (BTU/hr)	36,000		42,000		48,000		60,000	
Nominal SEER	13.0		13.0		13.0		13.0	
Sound Rating, High Spd Fan (dBA)	75		76		76		76	
Low Spd Fan (dBA)	73		75		72		72	
PSC Fan Motor HP	1/5		1/4		1/4		1/4	
Fan RPM High	825		825		825		825	
Fan RPM Low	750		750		750		750	
Fan CFM (High)	3270		3670		3670		3670	
Coil Face Area (ft <sup>2</sup> )	24.40		16.26		18.30		24.40	
Coil Rows – fins per inch	1 – 25		2 – 20		2 – 20		2 – 20	
Liquid Line Connection Size (in.)	3/8		3/8		3/8		3/8	
Vapor Line Connection Size (in.)	3/4		7/8		7/8		7/8	
Recommended Line Set Liquid Tube Diameter (in.)	3/8		3/8		3/8		3/8	
Recommended Line Set Vapor Tube Diameter (in.) *	3/4 *		7/8 *		7/8 *		1 1/8 *	
* Recommended Vapor Tube Line size is for standard installations. These recommendations may not apply to “Long Line” installations. When the total equivalent line length exceeds 80 feet or there is more than 20 feet vertical separation between indoor and outdoor units, consult the Long Line Application Guideline document before purchasing/installing line sets.								
Factory Charge R-22 (lbs.)	8.13		8.33		10.625		13.60	
Required Subcooling (°F)	9		9		12		13	
Weight, shipping (lbs.)	264		280		300		314	
Weight, operating (lbs.)	229		247		266		279	

ELECTRICAL DATA								
Model Size	36GH	36GL	42GH	42GL	48GH	48GL	60GH	60GL
Supply Voltage, 3-phase 60 Hz.	208/230	460	208/230	460	208/230	460	208/230	460
Acceptable Voltage Range, min-max	197-253	414-506	197-253	414-506	197-253	414-506	197-253	414-506
Minimum Circuit Ampacity – <b>MCA</b> (amps)	14.8	7.9	16.9	7.8	17.8	8.2	21.2	9.7
Maximum OverCurrent Protective device – <b>MOCP</b> (amps)	20	15	25	15	25	15	30	15
Compressor <b>RLA</b> (Rated Load Amps) <b>LRA</b> (Locked Rotor Amps)	10.9	5.8	12.4 88	5.8 44	13.1 83.1	6.1 41	15.8 110	7.3 52
Fan Motor <b>FLA</b> (Full Load Amps)	0.7	0.6	1.4	0.6	1.4	0.6	1.4	0.6

R-22 COOLING CAPACITY LOSS FOR VARIOUS LINE LENGTHS & TUBE DIAMETERS															
Model Size	Liquid Line (in.)	Acceptable Vapor Line Sizes (in.)	Cooling Capacity Loss (%) at Total Equivalent Line Length (ft.) Refer to Long Line Application Guideline to calculate equivalent length												
			Standard Application			Long Line Application (Requires Accessories) *									
			25'	50'	80'	81'	100'	125'	150'	175'	200'	225'	250'		
36	3/8	3/4	0	1	2	2	3	4	5	6	7	8	9		
		7/8	0	0	1	1	1	2	2	3	3	4	4		
42		3/4	1	2	3	3	4	5	7	8	9	10	11		
		7/8	0	1	1	1	2	2	3	4	4	5	5		
48		3/4	1	2	4	4	5	7	8	10	11	13	14		
		7/8	0	1	2	2	2	3	4	5	5	6	7		
		1 1/8	0	0	0	0	0	0	1	1	1	1	1		
60		7/8	1	2	3	3	4	5	7	8	9	10	11		
	1 1/8	0	0	1	1	1	1	2	2	2	3	3			

\* Applications are considered “Long Line” if the total equivalent tubing length exceeds 80 feet or there is more than 20 foot vertical separation between indoor and outdoor units). These applications require additional accessories and system modifications for reliable system operation. Refer to the Long Line Application Guideline document for required piping and system modifications. Refer to Accessory Usage Guidelines below for required accessories.

Applications in this shaded area may have height restrictions that limit allowable total equivalent length when outdoor unit is below indoor unit. Refer to the Long Line Application Guideline document for instructions.

The maximum allowable total equivalent length is 250 feet.

ACCESSORY USAGE GUIDELINES		
Accessory	REQUIRED FOR LOW-AMBIENT APPLICATIONS (Below 55° F)	REQUIRED FOR LONG LINE APPLICATIONS* (Over 80 Ft.)
Crankcase Heater	Yes	Yes
Evaporator Freeze Thermostat	Yes	No
Winter Start Control	Yes	No
Low Ambient Kit (Pressure Switch)	Yes	No
Support Feet, 4” tall	Recommended	No
Liquid Line Solenoid Valve	No	See Long Line Application Guideline

\* For Line Set lengths between 80 and 200 ft horizontal, or more than 20 ft indoor-outdoor vertical separation, refer to the Long Line Application Guideline document.

<b>ACCESSORIES</b>		
<b>Part Number</b>	<b>Description</b>	<b>Used On Model Size</b>
NASA001FS	Evaporator Freeze Thermostat	ALL
NASA201LS	Liquid Line Solenoid Valve, R-22	ALL
NASA001TD	Time Delay Relay, Indoor Blower	ALL
NASA001WS	Winter Start Control	ALL
NASA001AC	Anti-Cycle Timer (5 minute delay)	ALL
NASA201LA	Low Ambient Kit (Pressure Switch), R-22	ALL
NASA001SF	Support Feet, 4" tall	ALL
AMF153TKB	TXV Kit, R-22 (converts R-22 piston coils to R-22 TXV)	36
AMF355TKB	TXV Kit, R-22 (converts R-22 piston coils to R-22 TXV)	42, 48, 60

**COOLING PERFORMANCE FOR COMBINATION RATINGS**  
**Current Indoor Models**

Outdoor Model	Current Indoor Model (‡ tested combo)	Furnace Model	Factory Installed	Cooling (95 °F)			SEER			
				BTU/hr	S/T	EER	factory	w/ field TDR	w/ field R-22 TXV	w/ field R-22 TXV + TDR
H2A336GHA H2A336GLA	EB*2X36B**		TXV	35,400	0.76	11.00		13.00		
	EB*2X36B**	MV08B15****	TDR & TXV	36,000	0.76	11.20	13.50			
	EB*2X36F**		TXV	35,800	0.76	11.00		13.00		
	EB*2X36F**	*8MPV075	TDR & TXV	36,200	0.76	11.20	13.50			
	EB*2X36F**	*9MPV075	TDR & TXV	36,000	0.76	11.00	13.00			
	EB*2X36F**	MV12F19****	TDR & TXV	36,600	0.76	11.50	14.00			
	EB*2X36J**		TXV	35,800	0.76	11.00		13.00		
	EB*2X36J**	*8MPV100	TDR & TXV	36,600	0.76	11.50	14.00			
	EB*2X36J**	*8MPV125	TDR & TXV	36,600	0.76	11.50	14.00			
	EB*2X36J**	*9MPV100	TDR & TXV	36,600	0.76	11.20	13.50			
	EB*2X36J**	MV16J22****	TDR & TXV	36,800	0.76	11.70	14.00			
	EB*2X42J**		TXV	36,200	0.76	11.00		13.00		
	EB*2X42J**	*8MPV100	TDR & TXV	37,000	0.76	11.50	14.00			
	EB*2X42J**	*8MPV125	TDR & TXV	37,000	0.76	11.50	14.00			
	EB*2X42J**	*9MPV100	TDR & TXV	36,800	0.76	11.20	13.50			
	EB*2X42J**	MV16J22****	TDR & TXV	37,200	0.76	11.70	14.00			
	EB*2X42L**		TXV	36,200	0.76	11.00		13.00		
	EB*2X42L**	*9MPV125	TDR & TXV	37,000	0.76	11.20	13.50			
	ED*2X36B**		TXV	35,600	0.76	11.00		13.00		
	ED*2X36B**	*8MPV050	TDR & TXV	35,400	0.76	11.00	13.00			
	ED*2X36B**	MV08B15****	TDR & TXV	36,200	0.76	11.20	13.50			
	‡ ED*2X36F**		TXV	36,000	0.76	11.00		13.00		
	ED*2X36F**	*8MPV075	TDR & TXV	36,400	0.76	11.20	13.50			
	ED*2X36F**	*9MPV075	TDR & TXV	36,200	0.76	11.00	13.00			
	ED*2X36F**	MV12F19****	TDR & TXV	36,800	0.76	11.50	14.00			
	ED*2X36J**		TXV	36,000	0.76	11.00		13.00		
	ED*2X36J**	*8MPV100	TDR & TXV	36,800	0.76	11.50	14.00			
	ED*2X36J**	*8MPV125	TDR & TXV	36,800	0.76	11.50	14.00			
	ED*2X36J**	*9MPV100	TDR & TXV	36,800	0.76	11.20	13.50			
	ED*2X36J**	MV16J22****	TDR & TXV	37,000	0.76	11.70	14.00			
	ED*2X42J**		TXV	36,600	0.76	11.00		13.00		
	ED*2X42J**	*8MPV100	TDR & TXV	37,200	0.76	11.50	14.00			
	ED*2X42J**	*8MPV125	TDR & TXV	37,200	0.76	11.50	14.00			
	ED*2X42J**	*9MPV100	TDR & TXV	37,000	0.76	11.20	13.50			
	ED*2X42J**	MV16J22****	TDR & TXV	37,400	0.76	11.70	14.00			
	ED*2X42L**		TXV	36,600	0.76	11.00		13.00		
	ED*2X42L**	*9MPV125	TDR & TXV	37,200	0.76	11.20	13.50			
	EHD2X36A**		TXV	35,600	0.76	11.00		13.20		
	EHD2X36A**	*8MPV075	TDR & TXV	36,400	0.76	11.20	13.50			
	EHD2X36A**	*8MPV100	TDR & TXV	36,800	0.76	11.50	14.00			
	EHD2X36A**	*8MPV125	TDR & TXV	36,800	0.76	11.50	14.00			
	EHD2X36A**	*9MPV050	TDR & TXV	35,400	0.76	11.20	13.50			
EHD2X36A**	*9MPV075	TDR & TXV	36,200	0.76	11.20	13.50				
EHD2X36A**	MV08B15****	TDR & TXV	36,200	0.76	11.50	13.50				
EHD2X36A**	MV12F19****	TDR & TXV	36,800	0.76	11.50	14.00				
EHD2X42A**		TXV	36,600	0.76	11.00		13.00			
EHD2X42A**	*8MPV050	TDR & TXV	36,800	0.76	11.20	13.50				
EHD2X42A**	*8MPV075	TDR & TXV	37,200	0.76	11.20	13.50				
EHD2X42A**	*8MPV100	TDR & TXV	37,200	0.76	11.50	14.00				
EHD2X42A**	*8MPV125	TDR & TXV	37,200	0.76	11.70	14.00				
EHD2X42A**	*9MPV050	TDR & TXV	36,800	0.76	11.20	13.50				
EHD2X42A**	*9MPV075	TDR & TXV	37,000	0.76	11.20	13.50				
EHD2X42A**	MV08B15****	TDR & TXV	37,400	0.76	11.50	14.00				
EHD2X42A**	MV12F19****	TDR & TXV	37,400	0.76	11.70	14.00				
EHD2X42A**	MV16J22****	TDR & TXV	37,600	0.76	12.00	14.00				
EHD2X42A**	MV20N26****	TDR & TXV	37,800	0.76	12.00	14.00				
EMA2X36D**		TXV	35,600	0.76	11.00		13.00			
FEM2X36***		TDR & TXV	37,200	0.76	11.50	14.00				
FEM2X42****		TDR & TXV	37,400	0.76	11.50	14.00				
FS(M,U)2X42****		TDR & TXV	36,800	0.76	11.00	13.20				
FSA2X36****		TDR & TXV	36,000	0.76	11.00	13.00				
FSM2X36****		TDR & TXV	36,800	0.76	11.00	13.20				
FSU2X36****		TDR & TXV	36,000	0.76	11.00	13.00				

- continued on next page -

COOLING PERFORMANCE FOR COMBINATION RATINGS (continued)										
Current Indoor Models										
Outdoor Model	Current Indoor Model (‡ tested combo)	Furnace Model	Factory Installed	Cooling (95 °F)			SEER			
				BTU/hr	S/T	EER	factory	w/ field TDR	w/ field R-22 TXV	w/ field R-22 TXV + TDR
H2A342GHA H2A342GLA	EB*2X42J**		TXV	41,500	0.75	11.00		13.00		
	EB*2X42J**	*8MPV100	TDR & TXV	41,500	0.75	11.20	13.50			
	EB*2X42J**	*8MPV125	TDR & TXV	41,500	0.75	11.20	13.50			
	EB*2X42J**	*9MPV100	TDR & TXV	41,500	0.75	11.00	13.20			
	EB*2X42J**	MV16J22****	TDR & TXV	41,500	0.75	11.50	14.00			
	EB*2X42L**		TXV	41,500	0.75	11.00		13.00		
	EB*2X42L**	*9MPV125	TDR & TXV	41,500	0.75	11.20	13.50			
	EB*2X48F**		TXV	42,500	0.75	11.00		13.20		
	EB*2X48F**	*8MPV075	TDR & TXV	42,000	0.75	11.20	13.50			
	EB*2X48F**	*9MPV075	TDR & TXV	41,500	0.75	11.00	13.20			
	EB*2X48J**		TXV	42,500	0.75	11.00		13.20		
	EB*2X48J**	*8MPV100	TDR & TXV	43,000	0.75	11.20	13.50			
	EB*2X48J**	*8MPV125	TDR & TXV	43,000	0.75	11.20	13.50			
	EB*2X48J**	*9MPV100	TDR & TXV	42,500	0.75	11.20	13.50			
	EB*2X48J**	MV16J22****	TDR & TXV	43,000	0.75	11.50	14.00			
	EB*2X48L**		TXV	42,500	0.75	11.00		13.20		
	EB*2X48L**	*9MPV125	TDR & TXV	42,500	0.75	11.20	13.50			
	‡ ED*2X42J**		TXV	41,500	0.75	11.00		13.00		
	ED*2X42J**	*8MPV100	TDR & TXV	41,500	0.75	11.20	13.50			
	ED*2X42J**	*8MPV125	TDR & TXV	42,000	0.75	11.20	13.50			
	ED*2X42J**	*9MPV100	TDR & TXV	42,000	0.75	11.00	13.20			
	ED*2X42J**	MV16J22****	TDR & TXV	42,500	0.75	11.50	14.00			
	ED*2X42L**		TXV	41,500	0.75	11.00		13.00		
	ED*2X42L**	*9MPV125	TDR & TXV	41,500	0.75	11.20	13.50			
	ED*2X48F**		TXV	42,500	0.75	11.00		13.20		
	ED*2X48F**	*8MPV075	TDR & TXV	42,500	0.75	11.20	13.50			
	ED*2X48F**	*9MPV075	TDR & TXV	42,000	0.75	11.00	13.20			
	ED*2X48J**		TXV	42,500	0.75	11.00		13.20		
	ED*2X48J**	*8MPV100	TDR & TXV	43,000	0.75	11.20	13.50			
	ED*2X48J**	*8MPV125	TDR & TXV	43,000	0.75	11.20	13.50			
	ED*2X48J**	*9MPV100	TDR & TXV	42,500	0.75	11.20	13.50			
	ED*2X48J**	MV16J22****	TDR & TXV	43,000	0.75	11.50	14.00			
	ED*2X48L**		TXV	42,500	0.75	11.00		13.20		
	ED*2X48L**	*9MPV125	TDR & TXV	42,500	0.75	11.20	13.50			
	EHD2X42A**		TXV	42,500	0.75	11.00		13.20		
	EHD2X42A**	*8MPV075	TDR & TXV	42,500	0.75	11.20	13.50			
	EHD2X42A**	*8MPV100	TDR & TXV	43,000	0.75	11.20	13.50			
	EHD2X42A**	*8MPV125	TDR & TXV	43,000	0.75	11.20	13.50			
	EHD2X42A**	*9MPV075	TDR & TXV	42,000	0.75	11.00	13.20			
	EHD2X42A**	*9MPV100	TDR & TXV	42,500	0.75	11.20	13.50			
	EHD2X42A**	*9MPV125	TDR & TXV	42,500	0.75	11.20	13.50			
	EHD2X42A**	MV16J22****	TDR & TXV	43,500	0.75	11.50	14.00			
	EHD2X42A**	MV20N26****	TDR & TXV	44,000	0.75	11.50	14.00			
	EHD2X48A**		TXV	43,000	0.75	11.00		13.20		
	EHD2X48A**	*8MPV075	TDR & TXV	43,000	0.75	11.20	13.50			
	EHD2X48A**	*8MPV100	TDR & TXV	43,500	0.75	11.20	13.50			
	EHD2X48A**	*8MPV125	TDR & TXV	43,000	0.75	11.50	14.00			
	EHD2X48A**	*9MPV075	TDR & TXV	42,000	0.75	11.20	13.50			
	EHD2X48A**	*9MPV100	TDR & TXV	43,000	0.75	11.20	13.50			
	EHD2X48A**	*9MPV125	TDR & TXV	43,000	0.75	11.50	14.00			
	EHD2X48A**	MV16J22****	TDR & TXV	43,500	0.75	11.70	14.00			
	EHD2X48A**	MV20N26****	TDR & TXV	43,000	0.75	11.70	14.00			
	EMA2X48D**		TXV	42,000	0.75	11.00		13.00		
	FEM2X42****		TDR & TXV	42,500	0.75	11.20	13.50			
	FEM2X48****		TDR & TXV	43,500	0.75	11.70	14.00			
	FS(M,U)2X42****		TDR & TXV	42,500	0.75	11.00	13.00			
	FS(M,U)2X48****		TDR & TXV	43,000	0.75	11.00	13.20			

- continued on next page -

COOLING PERFORMANCE FOR COMBINATION RATINGS (continued)										
Current Indoor Models										
Outdoor Model	Current Indoor Model (‡ tested combo)	Furnace Model	Factory Installed	Cooling (95 °F)			SEER			
				BTU/hr	S/T	EER	factory	w/ field TDR	w/ field R-22 TXV	w/ field R-22 TXV + TDR
H2A348GHA H2A348GLA	EB*2X48F**		TXV	46,500	0.76	11.00		13.00		
	EB*2X48J**		TXV	47,000	0.76	11.00		13.00		
	EB*2X48J**	*8MPV100	TDR & TXV	47,000	0.76	11.00	13.00			
	EB*2X48J**	*8MPV125	TDR & TXV	46,500	0.76	11.20	13.50			
	EB*2X48J**	*9MPV100	TDR & TXV	45,500	0.76	11.00	13.20			
	EB*2X48J**	MV16J22****	TDR & TXV	46,500	0.76	11.50	14.00			
	EB*2X48L**		TXV	47,000	0.76	11.00		13.00		
	EB*2X48L**	*9MPV125	TDR & TXV	46,500	0.76	11.00	13.20			
	EB*2X60J**		TXV	48,000	0.76	11.00		13.20		
	EB*2X60J**	*8MPV100	TDR & TXV	48,000	0.76	11.20	13.50			
	EB*2X60J**	*8MPV125	TDR & TXV	48,500	0.76	11.20	13.50			
	EB*2X60J**	*9MPV100	TDR & TXV	47,000	0.76	11.20	13.50			
	EB*2X60J**	MV16J22****	TDR & TXV	48,000	0.76	11.50	14.00			
	EB*2X60L**		TXV	48,000	0.76	11.00		13.20		
	EB*2X60L**	*9MPV125	TDR & TXV	48,000	0.76	11.20	13.50			
	ED*2X48F**		TXV	46,500	0.76	11.00		13.00		
	‡ ED*2X48J**		TXV	47,000	0.76	11.00		13.00		
	ED*2X48J**	*8MPV100	TDR & TXV	47,000	0.76	11.00	13.00			
	ED*2X48J**	*8MPV125	TDR & TXV	46,500	0.76	11.20	13.50			
	ED*2X48J**	*9MPV100	TDR & TXV	45,500	0.76	11.00	13.20			
	ED*2X48J**	MV16J22****	TDR & TXV	47,500	0.76	11.20	13.50			
	ED*2X48L**		TXV	47,000	0.76	11.00		13.00		
	ED*2X48L**	*9MPV125	TDR & TXV	46,500	0.76	11.00	13.20			
	ED*2X60J**		TXV	48,000	0.76	11.00		13.20		
	ED*2X60J**	*8MPV100	TDR & TXV	48,000	0.76	11.00	13.50			
	ED*2X60J**	*8MPV125	TDR & TXV	48,000	0.76	11.50	14.00			
	ED*2X60J**	*9MPV100	TDR & TXV	48,000	0.76	11.00	13.20			
	ED*2X60J**	MV16J22****	TDR & TXV	49,000	0.76	11.50	14.00			
	ED*2X60L**		TXV	48,000	0.76	11.00		13.20		
	ED*2X60L**	*9MPV125	TDR & TXV	48,000	0.76	11.20	13.50			
	EHD2X48A**		TXV	46,500	0.76	11.00		13.00		
	EHD2X48A**	*8MPV100	TDR & TXV	47,000	0.76	11.20	13.50			
	EHD2X48A**	*8MPV125	TDR & TXV	46,500	0.76	11.20	13.50			
	EHD2X48A**	*9MPV100	TDR & TXV	45,500	0.76	11.20	13.20			
	EHD2X48A**	*9MPV125	TDR & TXV	46,000	0.76	11.00	13.20			
	EHD2X48A**	MV16J22****	TDR & TXV	47,500	0.76	11.20	13.50			
	EHD2X48A**	MV20N26****	TDR & TXV	47,500	0.76	11.20	13.50			
	EHD2X60A**		TXV	48,000	0.76	11.00		13.20		
	EHD2X60A**	*8MPV100	TDR & TXV	48,000	0.76	11.20	13.50			
	EHD2X60A**	*8MPV125	TDR & TXV	49,000	0.76	11.20	13.50			
EHD2X60A**	*9MPV100	TDR & TXV	48,000	0.76	11.00	13.20				
EHD2X60A**	*9MPV125	TDR & TXV	48,000	0.76	11.20	13.50				
EHD2X60A**	MV16J22****	TDR & TXV	49,000	0.76	11.50	14.00				
EHD2X60A**	MV20N26****	TDR & TXV	49,000	0.76	11.50	14.00				
EMA2X48D**		TXV	45,500	0.76	11.00		13.00			
FEM2X48****		TDR & TXV	48,000	0.76	11.20	13.50				
FEM2X60****		TDR & TXV	49,000	0.76	11.50	14.00				
FS(M,U)2X48****		TDR & TXV	47,500	0.76	11.00	13.00				
FS(M,U)2X60****		TDR & TXV	48,500	0.76	11.00	13.20				

- continued on next page -



COOLING PERFORMANCE FOR COMBINATION RATINGS (continued)										
Current Indoor Models										
Outdoor Model	Current Indoor Model (‡ tested combo)	Furnace Model	Factory Installed	Cooling (95 °F)			SEER			
				BTU/hr	S/T	EER	factory	w/ field TDR	w/ field R-22 TXV	w/ field R-22 TXV + TDR
H2A360GHA H2A360GLA	EB*2X60J**		TXV	56,500	0.78	11.00		13.00		
	EB*2X60J**	*8MPV100	TDR & TXV	56,500	0.78	11.00	13.20			
	EB*2X60J**	*8MPV125	TDR & TXV	57,000	0.78	11.00	13.20			
	EB*2X60J**	*9MPV100	TDR & TXV	55,500	0.78	11.00	13.00			
	EB*2X60J**	MV16J22****	TDR & TXV	57,500	0.78	11.20	13.50			
	EB*2X60L**		TXV	57,500	0.78	11.00		13.00		
	EB*2X60L**	*9MPV125	TDR & TXV	55,500	0.78	11.00	13.20			
	ED*2X60J**		TXV	56,500	0.78	11.00		13.00		
	ED*2X60J**	*8MPV100	TDR & TXV	56,500	0.78	11.00	13.20			
	ED*2X60J**	*8MPV125	TDR & TXV	57,000	0.78	11.00	13.20			
	ED*2X60J**	*9MPV100	TDR & TXV	55,500	0.78	11.00	13.00			
	ED*2X60J**	MV16J22****	TDR & TXV	57,500	0.78	11.20	13.50			
	‡ ED*2X60L**		TXV	57,500	0.78	11.00		13.00		
	ED*2X60L**	*9MPV125	TDR & TXV	55,500	0.78	11.00	13.20			
	EHD2X60A**		TXV	57,500	0.78	11.00		13.00		
	EHD2X60A**	*8MPV100	TDR & TXV	56,500	0.78	11.00	13.20			
	EHD2X60A**	*8MPV125	TDR & TXV	57,000	0.78	11.00	13.20			
	EHD2X60A**	*9MPV100	TDR & TXV	56,000	0.78	11.00	13.00			
	EHD2X60A**	*9MPV125	TDR & TXV	56,000	0.78	11.00	13.20			
	EHD2X60A**	MV16J22****	TDR & TXV	58,000	0.78	11.20	13.50			
EHD2X60A**	MV20N26****	TDR & TXV	58,000	0.78	11.20	13.50				
FEM2X60****		TDR & TXV	58,000	0.78	11.00	13.20				
FS(M,U)2X60****		TDR & TXV	56,500	0.78	11.00	13.00				

COOLING PERFORMANCE FOR COMBINATION RATINGS Obsolete Indoor Models										
Outdoor Model	Obsolete Indoor Model	Furnace Model	Factory Installed	Cooling (95 ° F)			SEER			
				BTU/hr	S/T	EER	factory	w/ field TDR	w/ field R-22 TXV	w/ field R-22 TXV + TDR
H2A336GHA H2A336GLA	EBP36****		TDR	35,600	0.76	10.95			12.55	
	EBP42****		TDR	36,000	0.76	11.20			12.90	
	EBV36****		TDR & TXV	36,400	0.76	11.20	13.50			
	EBV48****		TDR & TXV	38,000	0.76	11.70	14.00			
	EBV60****		TDR & TXV	38,000	0.76	11.70	14.00			
	EBX36****		TDR & TXV	36,000	0.76	11.20	12.90			
	EL*36B****		NONE	33,400	0.76	10.80				12.40
	EL*36B****	*8MPV050	TDR	33,400	0.76	10.80			12.45	
	EL*36B****	MV08B15****	TDR	34,200	0.76	11.00			12.85	
	EL*36F****		NONE	34,000	0.76	10.70				12.35
	EL*36F****	*8MPV075	TDR	34,200	0.76	11.00			12.65	
	EL*36F****	*9MPV050	TDR	33,800	0.76	10.35			11.85	
	EL*36F****	*9MPV075	TDR	34,000	0.76	10.75			12.35	
	EL*36F****	MV12F19****	TDR	34,600	0.76	11.00			13.20	
	EL*42F****		NONE	35,000	0.76	11.15				12.85
	EL*42F****	*8MPV075	TDR	35,400	0.76	11.00			13.00	
	EL*42F****	*9MPV050	TDR	34,800	0.76	11.00			12.90	
	EL*42F****	*9MPV075	TDR	34,800	0.76	11.00			13.20	
	EL*42F****	MV12F19****	TDR	35,800	0.76	11.20			13.50	
	EMH36F****		NONE	34,000	0.76	10.70				12.35
	EMH42F****		NONE	35,000	0.76	11.15				12.85
	EP*36B****		NONE	33,400	0.76	10.80				12.40
	EP*36B****	*8MPV050	TDR	33,400	0.76	10.80			12.45	
	EP*36B****	MV08B15****	TDR	34,200	0.76	11.15			12.85	
	EP*36F****		NONE	34,000	0.76	10.70				12.35
	EP*36F****	*8MPV075	TDR	34,200	0.76	11.00			12.65	
	EP*36F****	*9MPV050	TDR	33,600	0.76	10.85			12.50	
	EP*36F****	*9MPV075	TDR	34,000	0.76	10.75			12.35	
	EP*36F****	MV12F19****	TDR	34,600	0.76	11.00			13.20	
	EP*36J****		NONE	34,000	0.76	10.70				12.35
	EP*36J****	*8MPV100	TDR	34,400	0.76	11.00			13.00	
	EP*36J****	*8MPV125	TDR	34,400	0.76	11.00			13.20	
	EP*36J****	MV16J22****	TDR	34,600	0.76	11.20			13.50	
	EP*42F****		NONE	35,000	0.76	11.15				12.85
	EP*42F****	*8MPV075	TDR	35,400	0.76	11.00			13.00	
	EP*42F****	MV12F19****	TDR	35,800	0.76	11.20			13.50	
	EP*42J****		NONE	35,400	0.76	11.15				12.80
	EP*42J****	*8MPV100	TDR	35,000	0.76	11.30			13.00	
	EP*42J****	MV16J22****	TDR	35,000	0.76	11.20			13.50	
	EPP036****		NONE	31,400	0.76	10.20				11.75
	EX*36B****		TXV	35,800	0.76	11.00		13.00		
	EX*36B****	*8MPV050	TDR & TXV	35,400	0.76	11.00	13.00			
EX*36B****	MV08B15****	TDR & TXV	36,200	0.76	11.20	13.50				
EX*36F****		TXV	35,800	0.76	11.00		13.00			
EX*36F****	*8MPV075	TDR & TXV	36,200	0.76	11.00	13.20				
EX*36F****	MV12F19****	TDR & TXV	36,600	0.76	11.20	13.50				
EX*36J****		TXV	36,400	0.76	11.25		12.95			
EX*36J****	*8MPV100	TDR & TXV	36,600	0.76	11.20	13.50				
EX*36J****	MV16J22****	TDR & TXV	36,800	0.76	11.50	14.00				
EX*42F****		TXV	36,800	0.76	11.00		13.20			
EX*42F****	*8MPV075	TDR & TXV	37,000	0.76	11.20	13.50				
EX*42F****	MV12F19****	TDR & TXV	37,200	0.76	11.50	14.00				
EX*42J****		TXV	36,800	0.76	11.00		13.00			
EX*42J****	*8MPV100	TDR & TXV	37,200	0.76	11.50	14.00				
EX*42J****	MV16J22****	TDR & TXV	37,200	0.76	11.70	14.00				

- continued on next page -

COOLING PERFORMANCE FOR COMBINATION RATINGS (continued)										
Obsolete Indoor Models										
Outdoor Model	Obsolete Indoor Model	Furnace Model	Factory Installed	Cooling (95 °F)			SEER			
				BTU/hr	S/T	EER	factory	w/ field TDR	w/ field R-22 TXV	w/ field R-22 TXV + TDR
H2A342GHA H2A342GLA	EBP42****		TDR	41,000	0.75	10.70			12.55	
	EBP48****		TDR	42,000	0.75	10.90			12.80	
	EBV48****		TDR & TXV	43,500	0.75	11.50	14.00			
	EBV60****		TDR & TXV	44,500	0.75	11.70	14.00			
	EBX48****		TDR & TXV	43,000	0.75	11.00	13.20			
	EL*42F****		NONE	39,000	0.75	10.65				12.50
	EL*42F****	*8MPV075	TDR	39,500	0.75	10.80			12.70	
	EL*42F****	*9MPV075	TDR	39,000	0.75	10.70			12.60	
	EL*48F****		NONE	40,500	0.75	10.80				12.65
	EL*48F****	*8MPV075	TDR	40,500	0.75	10.85			12.70	
	EL*48F****	*9MPV075	TDR	39,500	0.75	10.90			12.80	
	EMH42F****		NONE	38,500	0.75	10.65				12.50
	EMH48F****		NONE	40,500	0.75	10.90				12.80
	EP*42F****		NONE	39,000	0.75	10.65				12.50
	EP*42F****	*8MPV075	TDR	39,500	0.75	10.80			12.70	
	EP*42F****	*9MPV075	TDR	39,000	0.75	10.70			12.60	
	EP*42J****		NONE	39,500	0.75	10.70				12.55
	EP*42J****	*8MPV100	TDR	38,500	0.75	10.70			12.60	
	EP*42J****	*8MPV125	TDR	39,500	0.75	10.70			12.55	
	EP*42J****	*9MPV100	TDR	37,600	0.75	10.60			12.45	
	EP*42J****	MV16J22****	TDR	39,500	0.75	11.00			12.95	
	EP*48F****		NONE	40,500	0.75	10.80				12.65
	EP*48F****	*8MPV075	TDR	40,500	0.75	10.85			12.70	
	EP*48F****	*9MPV075	TDR	39,500	0.75	10.90			12.80	
	EP*48J****		NONE	41,000	0.75	10.90			12.75	
	EP*48J****	*8MPV100	TDR	41,500	0.75	11.00			13.20	
	EP*48J****	*8MPV125	TDR	41,500	0.75	11.20			13.50	
	EP*48J****	*9MPV100	TDR	41,000	0.75	11.00			13.20	
	EP*48J****	MV16J22****	TDR	41,500	0.75	11.20			13.50	
	EP*48L****		NONE	41,000	0.75	10.90				12.75
	EP*48L****	*9MPV125	TDR	41,500	0.75	11.00			12.95	
	EP*48N****		NONE	41,000	0.75	10.90				12.75
	EP*48N****	MV20N26****	TDR	41,500	0.75	11.50			14.00	
	EX*42F****		TXV	41,000	0.75	11.00		13.00		
	EX*42F****	*8MPV075	TDR & TXV	41,500	0.75	11.00	13.00			
	EX*42F****	*9MPV075	TDR & TXV	40,500	0.75	11.00	13.20			
	EX*42J****		TXV	41,000	0.75	11.00		13.00		
	EX*42J****	*8MPV100	TDR & TXV	42,000	0.75	11.00	13.20			
	EX*42J****	*8MPV125	TDR & TXV	42,000	0.75	11.20	13.50			
	EX*42J****	*9MPV100	TDR & TXV	41,500	0.75	11.00	13.20			
EX*42J****	MV16J22****	TDR & TXV	42,500	0.75	11.50	14.00				
EX*48J****		TXV	42,000	0.75	11.00		12.95			
EX*48J****	*9MPV125	TDR & TXV	42,000	0.75	11.00	13.20				
EX*48L****		TXV	42,000	0.75	11.00		12.95			
EX*48L****	*9MPV125	TDR & TXV	42,000	0.75	11.00	13.20				
EX*48N****		TXV	42,000	0.75	11.00		12.95			
EX*48N****	MV20N26****	TDR & TXV	42,000	0.75	11.50	14.00				

- continued on next page -

COOLING PERFORMANCE FOR COMBINATION RATINGS (continued)										
Obsolete Indoor Models										
Outdoor Model	Obsolete Indoor Model	Furnace Model	Factory Installed	Cooling (95 °F)			SEER			
				BTU/hr	S/T	EER	factory	w/ field TDR	w/ field R-22 TXV	w/ field R-22 TXV + TDR
H2A348GHA H2A348GLA	EBP48****		TDR	46,500	0.76	10.95			12.50	
	EBP60****		TDR	47,500	0.76	11.05			12.60	
	EBV48****		TDR & TXV	48,000	0.76	11.20	13.50			
	EBV60****		TDR & TXV	49,000	0.76	11.50	14.00			
	EBX48****		TDR & TXV	48,000	0.76	11.00	13.00			
	EBX60****		TDR & TXV	48,500	0.76	11.00	13.20			
	EL*48F****		NONE	43,500	0.76	10.90				12.45
	EL*60J****		NONE	46,000	0.76	11.10				12.70
	EL*60J****	*8MPV100	TDR	46,500	0.76	11.25			12.90	
	EL*60J****	*8MPV125	TDR	46,500	0.76	11.00			13.00	
	EL*60J****	*9MPV100	TDR	46,000	0.76	10.80			12.35	
	EL*60J****	MV16J22****	TDR	47,000	0.76	11.20			13.50	
	EMH48F****		NONE	44,000	0.76	11.00				12.55
	EP*48F****		NONE	43,500	0.76	10.90				12.45
	EP*48J****		NONE	44,500	0.76	11.00				12.55
	EP*48J****	*8MPV100	TDR	45,000	0.76	11.00			12.55	
	EP*48J****	*8MPV125	TDR	45,000	0.76	11.20			12.80	
	EP*48J****	*9MPV100	TDR	44,000	0.76	11.20			12.80	
	EP*48J****	MV16J22****	TDR	45,500	0.76	11.00			13.20	
	EP*48L****		NONE	44,500	0.76	11.00				12.55
	EP*48L****	*9MPV125	TDR	45,000	0.76	11.10			12.70	
	EP*48N****		NONE	44,500	0.76	11.00				12.55
	EP*48N****	MV20N26****	TDR	46,000	0.76	11.00			13.20	
	EP*60J****		NONE	46,000	0.76	11.10				12.70
	EP*60J****	*8MPV100	TDR	46,500	0.76	11.25			12.90	
	EP*60J****	*8MPV125	TDR	46,500	0.76	11.00			13.20	
	EP*60J****	*9MPV100	TDR	45,000	0.76	11.00			13.20	
	EP*60J****	MV16J22****	TDR	47,000	0.76	11.20			13.50	
	EP*60L****		NONE	46,000	0.76	11.10				12.70
	EP*60L****	*9MPV125	TDR	46,000	0.76	11.00			13.00	
	EP*60N****		NONE	46,000	0.76	11.10				12.70
	EP*60N****	MV20N26****	TDR	47,000	0.76	11.20			13.50	
	EX*48J****		TXV	45,500	0.76	11.15		12.75		
EX*48J****	*9MPV125	TDR & TXV	45,500	0.76	11.25	12.90				
EX*48L****		TXV	45,500	0.76	11.15		12.75			
EX*48L****	*9MPV125	TDR & TXV	45,500	0.76	11.25	12.90				
EX*48N****		TXV	45,500	0.76	11.15		12.75			
EX*48N****	MV20N26****	TDR & TXV	46,500	0.76	11.20	13.50				
EX*60L****		TXV	48,500	0.76	11.00		13.00			
EX*60L****	*9MPV125	TDR & TXV	48,500	0.76	11.20	13.50				
EX*60N****		TXV	48,500	0.76	11.00		13.20			
EX*60N****	MV20N26****	TDR & TXV	49,000	0.76	11.50	14.00				
H2A360GHA H2A360GLA	EBP60****		TDR	56,500	0.78	10.60			12.10	
	EBV60****		TDR & TXV	57,000	0.78	11.20	13.50			
	EBX60****		TDR & TXV	56,500	0.78	11.00	13.00			
	EL*60J****		NONE	53,500	0.78	10.75				12.35
	EL*60J****	*8MPV100	TDR	53,000	0.78	10.90			12.50	
	EL*60J****	*8MPV125	TDR	53,500	0.78	10.80			12.40	
	EL*60J****	*9MPV100	TDR	52,000	0.78	11.00			12.60	
	EL*60J****	MV16J22****	TDR	54,500	0.78	11.00			12.65	
	EP*60J****		NONE	53,500	0.78	10.75				12.35
	EP*60J****	*8MPV100	TDR	53,000	0.78	10.90			12.50	
	EP*60J****	*8MPV125	TDR	53,500	0.78	10.80			12.40	
	EP*60J****	*9MPV100	TDR	52,000	0.78	11.00			12.60	
	EP*60J****	MV16J22****	TDR	54,500	0.78	11.00			12.65	
	EP*60L****		NONE	53,500	0.78	10.75				12.35
	EP*60L****	*9MPV125	TDR	53,000	0.78	10.95			12.55	
	EP*60N****		NONE	53,500	0.78	10.75				12.30
	EP*60N****	MV20N26****	TDR	54,500	0.78	11.10			12.75	
	EX*60L****		TXV	57,000	0.78	11.00		13.00		
EX*60L****	*9MPV125	TDR & TXV	56,000	0.78	11.00	13.20				
EX*60N****		TXV	57,000	0.78	11.00		13.00			
EX*60N****	MV20N26****	TDR & TXV	57,500	0.78	11.20	13.50				

<b>OUTDOOR UNIT MODEL NUMBER IDENTIFICATION GUIDE (single phase)</b>											
Digit Position:	1	2	3	4	5, 6	7	8	9	10	11	12
Example Part Number:	<b>H</b>	<b>2</b>	<b>A</b>	<b>3</b>	<b>36</b>	<b>G</b>	<b>H</b>	<b>A</b>	<b>1</b>	<b>0</b>	<b>0</b>
T = Tempstar Mainline											
N = Tempstar Entry <b>BRANDING</b>											
2 = R-22											
4 = R-410A <b>REFRIGERANT</b>											
A = Air Conditioner											
H = Heat Pump <b>TYPE</b>											
0 = 10 SEER											
3 = 13 SEER											
4 = 14 SEER <b>NOMINAL EFFICIENCY</b>											
36 = 36,000 BTUH = 3 tons											
42 = 42,000 BTUH = 3½ tons											
48 = 48,000 BTUH = 4 tons											
60 = 60,000 BTUH = 5 tons <b>NOMINAL CAPACITY</b>											
A = Standard Grille											
G = Coil Guard Grille <b>FEATURES</b>											
H = 208/230-3-60											
L = 460-3-60 <b>VOLTAGE</b>											
Sales Code											
Engineering Revision											
Extra Digit											
Extra Digit											

<b>ACCESSORIES PART NUMBER IDENTIFICATION GUIDE</b>									
Digit Position:	1	2	3	4	5	6, 7	8, 9	10, 11	
Example Part Number:	<b>N</b>	<b>A</b>	<b>S</b>	<b>A</b>	<b>0</b>	<b>01</b>	<b>01</b>	<b>CH</b>	
N = Non-Branded <b>BRANDING</b>									
A = Accessory <b>PRODUCT GROUP</b>									
S = Split System (AC & HP) <b>KIT USAGE</b>									
A = Original									
B = 2nd Generation <b>MAJOR SERIES</b>									
0 = Generic or Not Applicable									
2 = R-22									
4 = R-410A <b>REFRIGERANT</b>									
Product Identifier Number									
Package Quantity									
Type of Kit (Example: CH = Crankcase Heater)									