

Installation Instructions

SMALL ROOFTOP UNITS ACCESSORY HINGED DOOR ANGLE KIT FOR VERTICAL ECONOMIZER IV AND VERTICAL POWER EXHAUST

KITS:
DNPECONV003A00
DNPECONV004A00

IMPORTANT: Read these instructions completely before attempting to install this accessory.

PACKAGE CONTENTS

This accessory package consists of a sealing angle with a gasketing flange.

PACKAGE USAGE - ECONOMIZER IV

ECONOMIZER	ACCESSORY KIT
DNECOMZR020A02	DNPECONV003A00
DNECOMZR021A03	DNPECONV004A00
DNECOMZR022A01	DNPECONV003A00
DNECOMZR023A01	DNPECONV004A00

PACKAGE USAGE - POWER EXHAUST


POWER EXHAUST	ACCESSORY KIT
DNPWREXH021A01	DNPECONV003A00
DNPWREXH022A01	DNPECONV004A00
DNPWREXH023A01	DNPECONV004A00
DNPWREXH024A00	DNPECONV003A00
DNPWREXH025A00	DNPECONV003A00
DNPWREXH026A00	DNPECONV004A00
DNPWREXH027A00	DNPECONV004A00
DNPWREXH030A01	DNPECONV003A00

SAFETY CONSIDERATIONS

Installation and servicing of air-conditioning equipment can be hazardous due to system pressure and electrical components. Only trained and qualified service personnel should install, repair, or service air-conditioning equipment.

Untrained personnel can perform the basic maintenance functions. All other operations should be performed by trained service personnel. When working on air-conditioning equipment, observe precautions in the literature, tags and labels attached to the unit, and other safety precautions that may apply.

Follow all safety codes. Wear safety glasses and work gloves.

Recognize safety information. This is the safety-alert symbol . When you see this symbol on the unit and in instructions or manuals, be alert to the potential for personal injury.

Understand the signal words DANGER, WARNING, and CAUTION. These words are used with the safety-alert symbol. DANGER identifies the most

serious hazards which **will** result in severe personal injury or death. WARNING signifies a hazard which **could** result in personal injury or death. CAUTION is used to identify unsafe practices which **may** result in minor personal injury or product and property damage. NOTE is used to highlight suggestions which **will** result in enhanced installation, reliability, or operation.

WARNING

ELECTRICAL SHOCK HAZARD

Failure to follow this warning could result in personal injury and/or death.

Before performing service or maintenance operations on unit, turn off main power switch to unit and install lockout tag.

GENERAL

Use this kit when you field-install accessory economizers and/or power exhausts on units with factory-installed hinged panels.

This kit provides a watertight seal when field-installed vertical economizers and/or vertical power exhaust are installed.

BEFORE INSTALLING

Inspect the contents of this accessory package before installing. File a claim with the shipper if contents are damaged or parts are missing.

INSTALLATION FOR ECONOMIZER

Step 1 — Remove Hinged Door

1. Open the hinged door.
2. Remove the screws that hold the door on to the bottom panel. Save the screws and hinges. (See Fig. 1.)
3. Set hinged door aside.

Step 2 — Install Economizer

Install the Economizer IV using the instructions provided with the accessory.

Step 3 — Install Angle Kit

1. Attach the sealing angle to the top of the economizer hood using the 3 screws provided. Refer to Fig. 2. Note that the gasketing flange will be facing out.

2. If there are **NO** pre-drilled holes in the Economizer hood: Lay the hinged panel, insulation side up, on top of the hood so that the hinge screw holes align with the pre-drilled screw holes in the sealing angle. (For hoods with pre-drilled holes, skip to Step 6.)
3. Check the alignment of the hinged panel with the side of the filter opening to be sure it will close properly.
4. Use a pencil to mark the hood where the screw holes will be.
5. Remove the hinged door and drill four (4) 11/64-in. holes where the marks are.

NOTE: The sealing angle will be in place. Use the holes in it as a guide.

6. Place the door and hinges back on the unit. Screw through the door hinges and sealing angle into the flanged top of the hood using the 4 screws set aside in Step 1.
7. Close the hinged door and adjust handles if necessary.

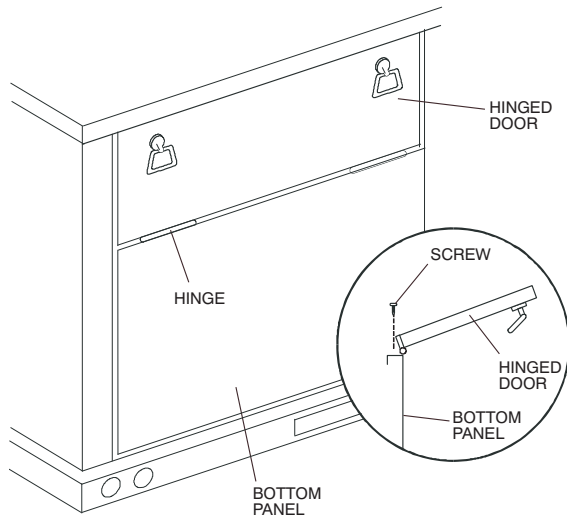


Fig. 1 - Rooftop Unit with Hinged Door

C08252

2. If there are **NO** pre-drilled holes in the Power Exhaust hood: Lay the hinged panel, insulation side up, on top of the hood so that the hinge screw holes align with the pre-drilled screw holes in the sealing angle. (For hoods with pre-drilled holes, skip to Step 6.)
3. Check the alignment of the hinged panel with the side of the filter opening to be sure it will close properly.
4. Use a pencil to mark the hood where the screw holes will be.
5. Remove the hinged door and drill four (4) 11/64-in. holes where the marks are.

NOTE: The sealing angle will be in place. Use the holes in it as a guide.

6. Place the door and hinges back on the unit. Screw through the door hinges and sealing angle into the flanged top of the hood using the 4 screws set aside in Step 1. (See Fig. 3.)
7. Close the hinged door and adjust handles if necessary.

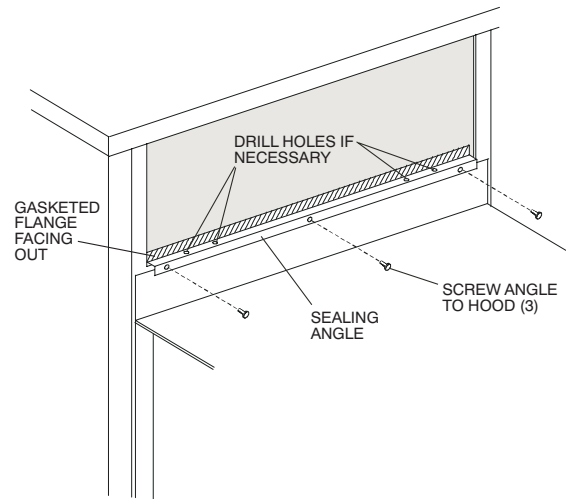


Fig. 2 - Install Sealing Angle

C08253

INSTALLATION FOR POWER EXHAUST

Step 1 — Remove Hinged Door

1. Open the hinged door.
2. Remove the screws that hold the door on to the bottom panel. Save the screws and hinges.
3. Set hinged door aside.

Step 2 — Install Power Exhaust

Install the Vertical Power Exhaust using the installation instructions shipped with the accessory.

Step 3 — Install Angle Kit

1. Attach the sealing angle to the top of the Power Exhaust hood using the 3 screws provided. Refer to Fig. 2. Note that the gasketing flange will be facing out.

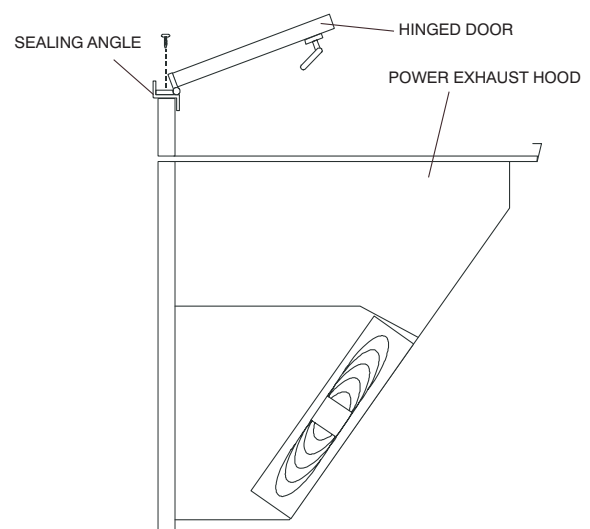


Fig. 3 - Insert Screws to Reinstall the Hinged Door

C08254