

### FAN COIL MEDIA CLEANER

#### AHIC Media Cabinet

##### EFFICIENCY

- Minimum Efficiency Reporting Value as specified by ASHRAE is MERV 8

##### EASY FILTER ACCESS

- AHIC media cabinet allows easy filter access on fan coil system

##### IMPROVED INDOOR AIR QUALITY (IAQ)

- When used with high efficiency FAIC filter, the AHIC media cabinet provides improved IAQ

##### TROUBLE FREE INSTALLATION

- No electricity required

##### NEARLY MAINTENANCE FREE OPERATION

- Only maintenance required is replacing media filter cartridge when needed (before each heating or cooling season)

#### FAIC Media Filter Cartridge

##### EFFICIENCY

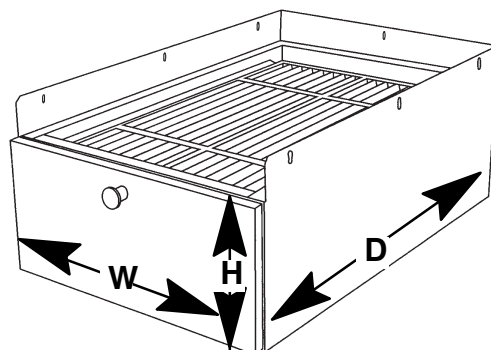
- Minimum Efficiency Reporting Value as specified by ASHRAE is MERV 8, minimum of 70% particle collection efficiency in the 3- 10micron particle size.

##### LARGE DUST HOLDING CAPACITY

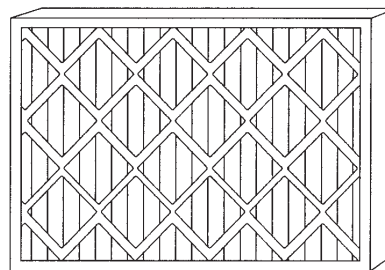
- Filters accommodate between 13 and 25 sq. ft. of filter media into a low- pressure drop design - providing large dust holding capacities
- Large surface area traps dust, pollen, molds, tobacco smoke, grease, soot, bacteria, and animal dander to provide cleaner, fresher air

##### EXCEPTIONAL SYSTEM PERFORMANCE

- For optimum system performance use the AHIC with FAIC high efficiency media.



AHIC



FAIC

Representative drawing only, some models may vary in appearance.

Model Number	CFM	Dimensions H x W x D in. (mm)
AHIC0014A	900	7.008 x 14.293 x 22.143 (178 x 363 x 562)
AHIC0017A	1350	7.008 x 17.620 x 22.143 (178 x 448 x 562)
AHIC0021A	2000	7.008 x 21.124 x 22.143 (178 x 537 x 562)
AHIC0024A	2200	7.008 x 24.620 x 22.143 (178 x 625 x 562)
Model Number	CFM	Dimensions H x W x D in. (mm)
FAIC0014A	13.05 sq.ft.	19.8125 x 12.175 x 4.3125 (503 x 309 x 110)
FAIC0017A	17.8 sq. ft.	19.8125 x 15.625 x 4.3125 (503 x 397 x 110)
FAIC0021A	20.17 sq. ft.	19.8125 x 19.125 x 4.3125 (503 x 486 x 110)
FAIC0024A	24.9 sq. ft.	19.8125 x 22.625 x 4.3125 (503 x 5.75 x 110)

MODEL NUMBER IDENTIFICATION GUIDE				
<b>MODEL NUMBER</b>	<b>AHIC</b>	<b>0</b>	<b>014</b>	<b>A</b>
<b>PRODUCT FAMILY</b>				<b>Series</b>
AHIC = Fan Coil Media Cabinet				<b>CFM</b>
FAIC = Fan Coil Media Filter Cartridge				014 = 900, 017 = 1350
<b>NO VOLTAGE</b>				021 = 2000, 024 = 2200

FAIC PHYSICAL DATA				
MODEL NUMBER	FAIC0014A	FAIC0017A	FAIC0014A	FAIC0017A
<b>Rated Airflow Range</b>	900 CFM	1350 CFM	2000 CFM	2200 CFM
<b>Minimum Efficiency Reporting Value (MERV)</b>	8	8	8	8
<b>Dust Holding Capacity (grams)</b>	68	90	105	130
<b>Atmospheric Dust Spot Efficiency</b>	41	41	41	41
<b>Typical Static Pressure Drop (in wc) (Clean@rated airflow)</b>	.20	.23	.28	.25
<b>Filter Media</b>	Polyolefin			
<b>Shipping Weight (2 pack)</b>	5 lb	6 lb	6- 1/2 lb	7 lb

PLEATED MEDIA FILTER	EFFICIENCY <sup>1</sup>	
14 in. (FAIC0014A)	MERV 8	E1: 24.4%
		E2: 55.4%
		E3: 70.9%
17 in. (FAIC0017A)		E1: 24.4%
		E2: 55.4%
		E3: 70.9%
21 in. (FAIC0021A)		E1: 24.4%
		E2: 55.4%
		E3: 70.9%
24 in. (FAIC0024A)	E1: 24.4%	
	E2: 55.4%	
	E3: 70.9%	

Notes:

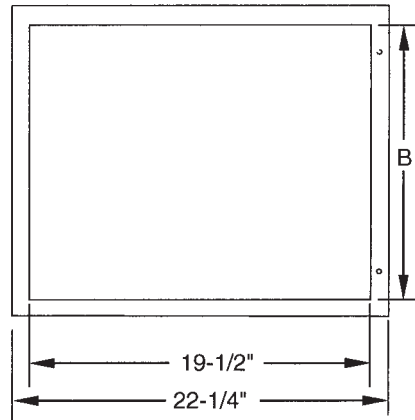
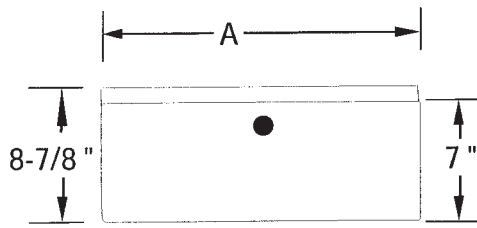
- Minimum Efficiency Reporting Value (MERV) per ASHRAE 52.2 (Exceeds proposed ASHRAE 62.2p requirement for manufacturers to provide a filter with a MERV rating of at least 6.)  
 E1: MINIMUM Average Efficiency for particles sized between 0.3 and 1 micron.  
 E2: MINIMUM Average Efficiency for particles sized between 1 and 3 microns.  
 E3: MINIMUM Average Efficiency for particles sized between 3 and 10 microns.
- At 0.5-in. pressure drop and 500FPM per ASHRAE 52.1.

REPLACEMENT FAIC FILTERS		
MODEL NUMBER	Media Area (Gross)	Dimensions (in.) Tolerance +/- 0.125"
FAIC0014A	13.05 sq. ft.	19.8125 x 12.175 x 4.3125
FAIC0017A	17.8 sq. ft.	19.8125 x 15.625 x 4.3125
FAIC0021A	20.17 sq. ft.	19.8125 x 19.125 x 4.3125
FAIC0024A	24.9 sq. ft.	19.8125 x 22.625 x 4.3125

PRESSURE DROP AT VARIOUS AIRFLOWS (CLEAN)					
SIZE	Typical Factory Supplied Filter	FAIC0014A	FAIC0017A	FAIC0021A	FAIC0024A
<b>Airflow (CFM)</b>	<b>Resistance (inches of water) (Clean Filter)*</b>				
600	.044	.125	.060	.040	.015
800	.075	.150	.090	.060	.030
1000	.072	.250	.125	.070	.040
1200	.100	-	.180	.090	.060
1400	.092	-	.250	.140	.090
1600	.120	-	-	.187	.125
1800	.152	-	-	.230	.150
2000	.187	-	-	.280	.190
2200	-	-	-	-	.250

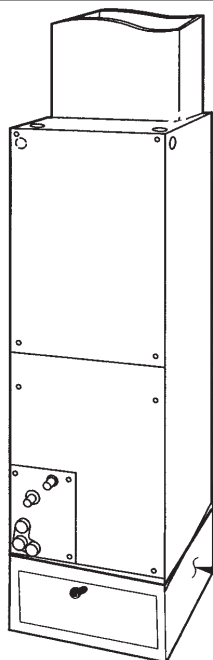
\* Pressure drop tested with complete AHIC cabinet and FAIC filter.

AHIC DIMENSIONS

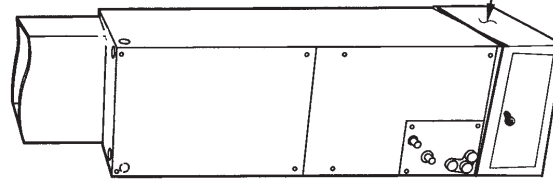


Media Filter Cabinet	Opening A	Opening B
AHIC0014A	14- 5/16"	11"
AHIC0017A	17- 5/8"	14- 11/32"
AHIC0021A	21- 1/8"	17- 7/8"
AHIC0024A	24- 5/8"	21- 11/32"

Typical Installations



AHIC Typical Horizontal Installation



Typical Vertical Upflow Installation

AHIC can also be configured in a Vertical Downflow Installation. Fan Coil Unit must be reconfigured so the air cleaner is on the return side of the fan coil and blower compartment.

Connecting Flange

