

**High  
Efficiency**

**10+**

**Arcoaire**®  
**Air Conditioning & Heating**

## 10+ SEER Heat Pump



Representative photo only, some models may vary in appearance.

### 1 1/2 THRU 5 TONS SPLIT SYSTEM

#### REFRIGERATION CIRCUIT

- High efficiency scroll compressors on all models
- Suction line accumulator on all models
- Integrated solid state time / temperature defrost and Compressor anticycle timer
- Soft defrost change over
- Low pressure cut out switch
- Large biflow filter driers

#### BUILT TO LAST

- G-90 Galvanized steel cabinet with integral base rails
- Triple step painting process
- Copper tube / aluminum fin coil
- Precoated condenser fins
- Coated inlet and discharge grilles ruggedly built for enhanced coil protection
- Top discharge design for quieter operation
- 5 Year parts, 10 year compressor limited warranties

#### EASY TO INSTALL AND SERVICE

- Numerous service friendly features
- Service valves on all models with 3-1/2" stubs
- Fan motor in-line disconnect plug
- Easy side access sloped control panel
- Factory charged with R-22, condenser plus 25 Ft. lines
- External high and low refrigerant service ports



Rated in accordance with ARI Standard 240. Certification applies only when used with proper components as listed with ARI.

**International Comfort Products Corporation (USA)**  
651 Heil-Quaker Ave.  
Lewisburg, Tennessee 37091

RESIDENTIAL AND COMMERCIAL SYSTEMS • SPLIT SYSTEMS • PACKAGED AIR CONDITIONERS • COMBINATION GAS / ELECTRIC UNITS • HEAT PUMPS • AIR HANDLERS • MANUFACTURED HOME AIR CONDITIONERS • GAS, OIL AND ELECTRIC FURNACES

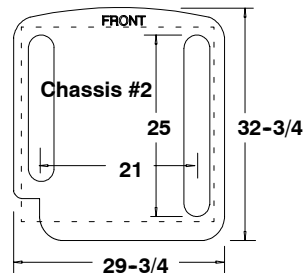
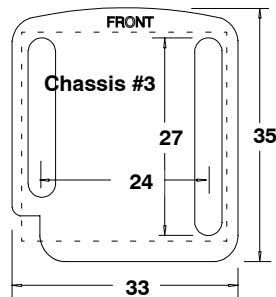
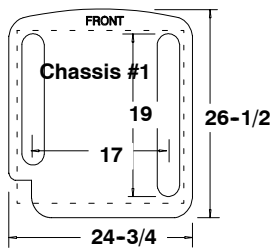
## Base Specifications

Model Number	HHP018AKA	HHP024AKA	HHP030AKA	HHP036AKA	HHP042AKA	HHP048AKA	HHP060AKA
Max. Cooling Capacity (Btuh)	18000	23200	29000	34600	40000	47000	59500
Max. Heating Capacity (Btuh)	17600	23800	28600	36000	42000	48000	59500
SEER Label	10	10	10	10	10	10	10
Sound Rating Decibels	71	73	75	75	75	77	77
Fan HP / Type / Speeds	1/8-PSC-1	1/8-PSC-1	1/3-PSC-1	1/3-PSC-1	1/3-PSC-1	1/4-PSC-1	1/4-PSC-1
Fan RPM / Max. CFM	- / 2200	- / 2200	- / 3200	- / 3200	- / 3200	- / 3900	- / 3900
Coil Face Area (Sq Ft)	10.7	12.5	14.2	17.8	20.8	25.3	20.1
Coil Rows / Fins Per Inch	1 / 18	1 / 18	1 / 18	1 / 18	1 / 22	1 / 18	2 / 18
Line Connection Suction I.D. Size (In.)	3/4	3/4	3/4	3/4	7/8	7/8	7/8
Line Connection Liquid I.D. Size (In.)	3/8	3/8	3/8	3/8	3/8	3/8	3/8
Supplied Optional Evaporator Orifice Size	.048	.056	.063	.070	.073	.082	.093
Factory Charge - R22 (Oz)	85	104	132	124	166	181	210
Weight Lbs. (Ship)	140	147	185	197	212	238	276

## Electrical Specifications - 208 - 230 / 1 / 60, Voltage Range 197V - 253V

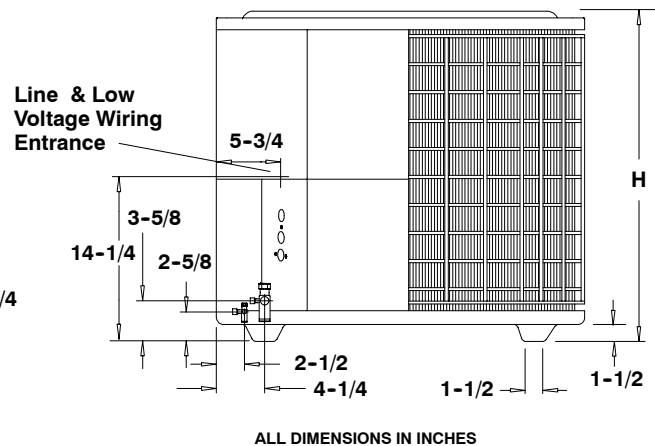
Minimum Circuit Ampacity	12.7	16.3	18.9	21.3	24.5	28.6	35.2
Wire Size/Max. Length (AWG Cu) Ft.	14 / 50	14 / 36	14 / 27	12 / 32	12 / 26	10 / 40	8 / 49
Time Delay Fuse (Amps)	15	20	25	30	30	35	45
Max. Fuse or HACR Breaker Size (Amps)	20	25	30	35	40	50	60
Compressor Full Run / Lock Rotor Amps	9.0 / 42	11.9 / 59	14.1 / 73	16.0 / 100	18.6 / 127	21.8 / 131	27.1 / 172
Fan Full Load / Lock Rotor Amps.	.66 / 1.55	.66 / 1.55	1.3 / 2.33	1.9 / 3.7	1.9 / 3.7	1.9 / 3.7	1.9 / 3.7

Dimensions		
Model	Chassis	Height (H)
018	1	26-5/8
024	1	28-5/8
030	2	28-5/8
036	2	32-5/8
042	2	36-5/8
048	3	40-5/8
060	3	32-5/8



Minimum Mounting Pad Sizes with pad starting at 9" from structure for minimum clearances

Chassis #1 20" W X 20" D  
Chassis #2 24" W X 26" D  
Chassis #3 27" W X 28" D



Accessory	Description	Used On
AMF153TKB	Expansion Valve Kit	1 1/2 - 3 Ton
AMF355TKB	Expansion Valve Kit	3 1/2 - 5 Ton
AXWR01DFA	Fossil Fuel Kit	All Models
AMA001TDA	Indoor Blower Time Delay	All Models
1053477 *	Compressor Crankcase Heater Solid State "Stick On" Type	All Models
1148113 *	Compressor Crankcase Heater "Wrap-around" Type	All Models
1060833*	Compressor Sound Jacket (Small Scroll)	1 1/2 - 3 Ton
1060834 *	Compressor Sound Jacket (Large Scroll)	3 1/2 - 5 Ton

\* Order from Service Parts

# PERFORMANCE DATA COOLING / HEATING

Outdoor Model	Indoor Model	Cooling 95 F					Heating 47 F			Heating 17 F		CFM	Pin/TXV
		Btuh	SEER	S/T	EER	WATTS	Btuh	COP	HSPF	Btuh	COP		
*HP018AKA*	EX*24F****	18000	11.00	.74	9.7	1636	17200	3.20	7.25	10000	2.02	600	TXV
*HP018AKA*	EAH5524**+HTXV2	18000	11.00	.77	10.0	1636	16200	3.20	7.20	9700	2.08	600	TXV
*HP018AKA*	EX*24B****	18000	11.00	.74	9.7	1636	17200	3.20	7.25	10000	2.02	600	TXV
*HP018AKA*	EX*24F****+MV12F19****	18000	12.00	.74	10.7	1500	17000	3.30	8.00	10000	2.12	600	TXV
*HP018AKA*	EAH5524**	17900	10.30	.77	9.9	1738	16200	3.12	7.20	9700	2.08	600	.056
*HP018AKA*	EAH5524**+TD1	17900	10.50	.77	9.9	1705	16200	3.12	7.20	9700	2.08	600	.056
*HP018AKA*	FCX24****	17200	11.00	.74	9.9	1564	17000	3.16	7.20	10000	2.02	600	TXV
*HP018AKA*	FCP24****	17200	10.05	.77	9.4	1711	17200	3.16	7.00	10000	1.98	600	.048
*HP018AKA*	EP*24B****	17000	10.20	.77	9.5	1667	17200	3.32	7.20	10000	1.98	600	.048
*HP018AKA*	EP*24B****+HTXV2	17000	11.00	.77	9.5	1545	17200	3.32	7.20	10000	1.98	600	TXV
*HP018AKA*	EMH24F****	17000	10.20	.77	9.5	1667	17200	3.32	7.20	9600	1.98	600	.048
*HP018AKA*	EP*24B****+TD1	17000	10.30	.77	9.5	1650	17200	3.32	7.20	10000	1.98	600	.048
*HP018AKA*	FCP24****+HTXV2	17000	10.50	.77	9.4	1619	17200	3.16	7.20	10000	1.98	600	TXV
*HP018AKA*	EP*18B****	16500	10.00	.77	9.4	1650	17200	3.08	7.10	9600	1.92	600	.048
*HP024AKA*	EX*24F****+MV12F19****	24000	12.00	.76	10.6	2000	24400	3.50	8.00	14400	2.32	800	TXV
*HP024AKA*	EX*24B****	23800	10.80	.76	9.6	2204	24400	3.40	7.40	14500	2.22	800	TXV
*HP024AKA*	EX*24F****	23800	10.80	.76	9.6	2204	24400	3.40	7.40	14500	2.22	800	TXV
*HP024AKA*	EAH5524**+HTXV2	23800	10.80	.76	9.6	2204	24000	3.46	7.20	14500	2.24	800	TXV
*HP024AKA*	EX*24F****+TD1	23800	11.00	.76	9.6	2164	24400	3.40	7.40	14500	2.22	800	TXV
*HP024AKA*	EX*24B****+TD1	23800	11.00	.76	9.6	2164	24400	3.40	7.40	14500	2.22	800	TXV
*HP024AKA*	EAH5524**+TD1	23600	10.30	.76	9.3	2291	24000	3.46	7.20	14500	2.24	800	.056
*HP024AKA*	EAH5524**	23600	10.00	.76	9.3	2360	24000	3.46	7.20	14500	2.16	800	.056
*HP024AKA*	FCX24****	23600	11.00	.74	9.5	2145	24400	3.42	7.40	14700	2.22	800	TXV
*HP024AKA*	EP*30B****	23400	10.10	.72	9.4	2317	24200	3.28	7.40	14700	2.16	800	.056
*HP024AKA*	EP*30B****+TD1	23400	10.40	.72	9.4	2250	24200	3.28	7.40	14700	2.16	800	.056
*HP024AKA*	EP*30F****+TD1	23400	10.40	.72	9.4	2250	24200	3.28	7.40	14700	2.16	800	.056
*HP024AKA*	EMH30F****	23400	10.10	.72	9.4	2317	24200	3.28	7.40	14700	2.16	800	.056
*HP024AKA*	EP*30F****	23400	10.10	.72	9.4	2317	24200	3.28	7.40	14700	2.16	800	.056
*HP024AKA*	FCP30****	23400	10.10	.72	9.2	2317	24000	3.28	7.40	14600	2.16	800	.056
*HP024AKA*	EP*30F****+TXV153+MV12F19****	23400	11.50	.76	10.4	2035	24200	3.28	8.00	14600	2.26	800	TXV
*HP024AKA*	EP*30B****+HTXV2	23000	10.50	.72	9.4	2190	24200	3.28	7.40	14700	2.16	800	TXV
*HP024AKA*	EP*30F****+HTXV2	23000	10.50	.72	9.4	2190	24200	3.28	7.40	14700	2.16	800	TXV
*HP024AKA*	FCP30****+HTXV2	23000	10.30	.76	9.2	2233	24000	3.28	7.40	14600	2.16	800	TXV
*HP024AKA*	EP*24B****	22400	10.10	.72	9.1	2218	23600	3.34	7.40	14700	2.20	800	.056
*HP024AKA*	EP*24B****+HTXV2	22400	10.50	.72	9.1	2133	23600	3.34	7.40	14700	2.20	800	TXV
*HP024AKA*	FCP24****	22400	10.00	.72	9.1	2240	23600	3.34	7.40	14700	2.20	800	.056
*HP024AKA*	FCP24****+HTXV2	22400	10.50	.76	9.1	2133	23600	3.34	7.40	14700	2.20	800	TXV
*HP030AKA*	FCX36****	29200	11.00	.76	9.8	2655	27600	3.22	7.40	17500	2.22	1000	TXV
*HP030AKA*	EX*36F****+MV12F19****	29200	12.00	.76	10.6	2433	27400	3.34	8.00	17400	2.36	1000	TXV
*HP030AKA*	EX*36F****	29200	10.50	.76	9.9	2781	27600	3.24	7.20	17500	2.26	1000	TXV
*HP030AKA*	EX*36J****+MV16J22****	29200	12.00	.76	10.5	2433	29800	3.38	8.00	17000	2.26	1000	TXV
*HP030AKA*	EX*36J****+TD1	29200	11.00	.76	9.9	2655	27600	3.24	7.20	17500	2.26	1000	TXV
*HP030AKA*	EP*36F****+TXV153+MV16J22****	29200	12.00	.76	10.5	2433	29800	3.38	8.00	17000	2.26	1000	TXV
*HP030AKA*	EX*36J****	29200	10.50	.76	9.9	2781	27600	3.24	7.20	17500	2.26	1000	TXV
*HP030AKA*	EX*36F****+TD1	29200	11.00	.76	9.9	2655	27600	3.24	7.20	17500	2.26	1000	TXV
*HP030AKA*	EAH5536**+HTXV3	29000	10.50	.76	9.9	2762	27200	3.26	7.20	17200	2.24	1000	TXV
*HP030AKA*	EP*36B****+HTXV3+TD1	29000	10.50	.76	9.5	2762	29600	3.28	7.20	17100	2.16	1000	TXV
*HP030AKA*	EP*36B****	29000	10.00	.76	9.5	2900	29600	3.28	7.20	17100	2.16	1000	.063
*HP030AKA*	EMH36F****	29000	10.00	.76	9.5	2900	29600	3.28	7.20	17100	2.16	1000	.063
*HP030AKA*	EP*36F****+HTXV3+TD1	29000	10.50	.76	9.5	2762	29600	3.28	7.20	17100	2.16	1000	TXV
*HP030AKA*	FCP36****	29000	10.05	.76	9.5	2886	29200	3.28	7.00	17500	2.16	1000	.063
*HP030AKA*	FCP36****+HTXV3	29000	10.50	.76	9.5	2762	29200	3.28	7.00	17500	2.16	1000	TXV
*HP030AKA*	EP*36J****+HTXV3+TD1	29000	10.50	.76	9.5	2762	29600	3.28	7.20	17100	2.16	1000	TXV
*HP030AKA*	EP*36F****+TXV153+MV12F19****	29000	12.00	.76	10.5	2417	29800	3.38	8.00	17000	2.26	1000	TXV
*HP030AKA*	EP*36J****	29000	10.00	.76	9.6	2900	29600	3.28	7.20	17100	2.16	1000	.063
*HP030AKA*	EAH5536**	28400	10.00	.76	9.7	2840	27200	3.26	7.20	17200	2.24	1000	.063
*HP030AKA*	EAH5536**+TD1	28400	10.20	.76	9.7	2784	27200	3.26	7.20	17200	2.24	1000	.063
*HP030AKA*	EP*30B****	28200	10.00	.76	9.1	2820	27600	3.22	7.20	17500	2.22	1000	.063
*HP030AKA*	EP*30B****+HTXV3	28200	10.30	.76	9.1	2738	27600	3.22	7.20	17500	2.22	1000	TXV
*HP030AKA*	EP*30F****	28200	10.00	.76	9.1	2820	27600	3.22	7.20	17500	2.22	1000	.063
*HP030AKA*	EP*30F****+HTXV3	28200	10.30	.76	9.1	2738	27600	3.22	7.20	17500	2.22	1000	TXV
*HP030AKA*	FCP30****+HTXV3	28200	10.30	.76	9.1	2738	27600	3.22	7.20	17500	2.22	1000	TXV
*HP030AKA*	FCP30****	28200	10.00	.76	9.1	2820	27600	3.22	7.20	17500	2.22	1000	.065
*HP030AKA*	EE*36B****	28200	10.00	.76	9.1	2820	27600	3.22	7.20	17500	2.22	1000	.065
*HP036AKA*	EAH5536**+TD1	35600	10.50	.72	9.6	3390	35600	3.34	7.40	21600	2.24	1200	.071
*HP036AKA*	EAH5536**+HTXV3	35600	11.00	.75	9.6	3236	35600	3.34	7.40	21600	2.24	1200	TXV
*HP036AKA*	EAH5536**	35600	10.30	.72	9.6	3456	35600	3.34	7.40	21600	2.24	1200	.071
*HP036AKA*	EX*36J****+MV16F22****	35400	12.00	.72	10.4	2950	35600	3.44	8.20	21600	2.32	1200	TXV
*HP036AKA*	FCX36****	35400	11.00	.72	9.4	3218	35800	3.34	7.40	21800	2.22	1200	TXV
*HP036AKA*	EX*36F****+MV12F19****	35400	12.00	.75	10.4	2950	35600	3.44	8.20	21600	2.32	1200	TXV
*HP036AKA*	EX*36J****	35200	11.00	.72	9.4	3200	35800	3.34	7.40	21800	2.22	1200	TXV
*HP036AKA*	FCP42****	35200	10.10	.73	9.3	3485	36000	3.34	7.40	21800	2.22	1200	.070
*HP036AKA*	FCP42****+HTXV3	35200	10.50	.72	9.3	3352	36000	3.34	7.40	21800	2.22	1200	TXV

Many matches require a pin change. Always check pin size to insure maximum performance. PIN=Refrigerant orifice PIN size. TD1=AMA001TDA Indoor Blower Time Delay Kit, required to make SEER indicated. All products using an electronic fan control satisfy TD1 requirements. TXV=Thermostatic Expansion Valve, TXV153 (AMF153) replaces HTXV1,2 or 3 where listed in ratings, TXV335 (AMF335) Replaces HTXV4 or 5 where listed in ratings. EP\* = EPA, EPD, EPM series of coils. EX\* = EXA, EXD, EXM series of coils. EE\* = EEA OR EED series of coils.

# PERFORMANCE DATA COOLING / HEATING

Outdoor Model	Indoor Model	Cooling 95 F					Heating 47 F			Heating 17 F		CFM	Pin/TXV
		Btuh	SEER	S/T	EER	WATTS	Btuh	COP	HSPF	Btuh	COP		
*HP036AKA*	EX*36F****	35200	11.00	.72	9.4	3200	35800	3.34	7.40	21800	2.22	1200	TXV
*HP036AKA*	EP*42F****+TXV153+MV12F19****	35000	12.00	.72	10.3	2917	35600	3.44	8.20	21600	2.32	1200	TXV
*HP036AKA*	EP*42J****+TXV153+MV16J22****	35000	12.00	.72	10.3	2917	35600	3.44	8.20	21600	2.32	1200	TXV
*HP036AKA*	EMH42F****	34800	10.30	.72	9.3	3379	35800	3.34	7.40	21800	2.22	1200	.070
*HP036AKA*	EP*42J****	34800	10.30	.73	9.3	3379	35800	3.34	7.40	21800	2.22	1200	.070
*HP036AKA*	EP*42F****+HTXV3+TD1	34800	11.00	.72	9.3	3164	35800	3.34	7.40	21800	2.22	1200	TXV
*HP036AKA*	EP*42F****	34800	10.30	.71	9.3	3379	35800	3.34	7.40	21800	2.22	1200	.070
*HP036AKA*	EP*42J****+HTXV3+TD1	34800	11.00	.72	9.3	3164	35800	3.34	7.40	21800	2.22	1200	TXV
*HP036AKA*	EP*42F****+TD1	34800	10.50	.71	9.3	3314	35800	3.34	7.40	21800	2.22	1200	.070
*HP036AKA*	EP*42J****+TD1	34800	10.50	.72	9.3	3314	35800	3.34	7.40	21800	2.22	1200	.070
*HP036AKA*	EP*36J****	33400	10.00	.75	9.1	3340	35800	3.34	7.40	21800	2.22	1200	.070
*HP036AKA*	FCP36****	33400	10.00	.72	9.1	3340	35800	3.34	7.40	21800	2.22	1200	.070
*HP036AKA*	EP*36B****+HTXV3	33400	10.30	.73	9.1	3243	35800	3.34	7.40	21800	2.22	1200	TXV
*HP036AKA*	EP*36F****	33400	10.00	.73	9.1	3340	35800	3.34	7.40	21800	2.22	1200	.070
*HP036AKA*	EP*36B****	33400	10.00	.73	9.1	3340	35800	3.34	7.40	21800	2.22	1200	.070
*HP036AKA*	EP*36J****+HTXV3	33400	10.30	.73	9.1	3243	35800	3.34	7.40	21800	2.22	1200	TXV
*HP036AKA*	FCP36****+HTXV3	33400	10.30	.73	9.1	3243	35800	3.34	7.40	21800	2.22	1200	TXV
*HP036AKA*	EP*36F****+HTXV3	33400	10.30	.73	9.1	3243	35800	3.34	7.40	21800	2.22	1200	TXV
*HP042AKA*	EAH5548**+TD1	41500	10.30	.73	9.6	4029	37200	3.14	7.00	22600	2.00	1400	.073
*HP042AKA*	FCP48****+HTXV4	41500	10.40	.72	9.2	3990	40000	3.08	7.20	25000	2.06	1400	TXV
*HP042AKA*	EAH5548**	41500	10.00	.73	9.6	4150	37200	3.14	7.00	22600	2.00	1400	.073
*HP042AKA*	EAH5548**+HTXV4	41500	10.50	.71	9.8	3952	37200	3.14	7.00	22600	2.00	1400	TXV
*HP042AKA*	FCP48****	41500	10.10	.72	9.2	4109	40000	3.08	7.20	25000	2.06	1400	.073
*HP042AKA*	EX*42J****+MV16J22****	41500	12.00	.71	10.6	3458	39500	3.36	8.00	23400	2.22	1400	TXV
*HP042AKA*	EX*42J****	41000	10.70	.73	9.6	3832	40000	3.26	7.20	23600	2.12	1400	TXV
*HP042AKA*	EP*48J****+TXV355+MV12F19****	40500	12.00	.73	10.4	3375	39500	3.32	8.00	23400	2.16	1400	TXV
*HP042AKA*	EP*48J****+TXV355+MV16J22****	40500	12.00	.73	10.4	3375	39500	3.32	8.00	23400	2.16	1400	TXV
*HP042AKA*	FCX48****	40500	11.00	.73	9.4	3682	40000	3.22	7.25	23600	2.06	1400	TXV
*HP042AKA*	EP*48N****+TXV355+MV20N26****	40500	12.00	.73	10.4	3375	39500	3.32	8.00	23400	2.16	1400	TXV
*HP042AKA*	EX*48N****+TD1	40500	11.00	.71	9.4	3682	40000	3.22	7.05	23600	2.06	1400	TXV
*HP042AKA*	EP*42F****	40000	10.00	.72	9.1	4000	40000	3.12	7.05	23600	2.06	1300	.073
*HP042AKA*	EP*42F****+HTXV4	40000	10.30	.73	9.1	3883	40000	3.12	7.05	23600	2.06	1400	TXV
*HP042AKA*	FCP42****+HTXV4	40000	10.30	.73	9.1	3883	40000	3.12	7.05	23600	2.06	1400	TXV
*HP042AKA*	EMH48F****+HTXV4	40000	10.70	.73	9.4	3738	40000	3.22	7.20	23600	2.06	1400	TXV
*HP042AKA*	EP*42J****	40000	10.00	.77	9.1	4000	40000	3.12	7.05	23600	2.06	1300	.073
*HP042AKA*	EP*48N****+HTXV4	40000	10.70	.73	9.4	3738	40000	3.22	7.20	23600	2.06	1400	TXV
*HP042AKA*	EP*48J****+HTXV4	40000	10.70	.73	9.4	3738	40000	3.22	7.20	23600	2.06	1400	TXV
*HP042AKA*	FCP42****	40000	10.00	.77	9.1	4000	40000	3.12	7.05	23600	2.06	1300	.073
*HP042AKA*	EP*48F****+HTXV4	40000	10.70	.73	9.4	3738	40000	3.22	7.20	23600	2.06	1400	TXV
*HP042AKA*	EP*42J****+HTXV4	40000	10.30	.73	9.1	3883	40000	3.12	7.05	23600	2.06	1400	TXV
*HP042AKA*	EMH42F****	40000	10.00	.73	9.1	4000	40000	3.12	7.05	23600	2.06	1300	.073
*HP048AKA*	EX*48N****+MV20N26****	48500	12.00	.72	11.0	4042	47500	3.50	8.20	29200	2.42	1600	TXV
*HP048AKA*	EX*48N****	48000	10.70	.77	10.0	4486	48000	3.40	7.50	29400	2.32	1600	TXV
*HP048AKA*	EAH5548**+HTXV4	48000	10.70	.72	10.2	4486	47000	3.38	7.50	29000	2.30	1600	TXV
*HP048AKA*	EX*48N****+TD1	48000	11.00	.72	10.0	4364	48000	3.40	7.50	29400	2.32	1600	TXV
*HP048AKA*	EAH5548**	47000	10.30	.76	9.9	4563	47000	3.38	7.50	29000	2.30	1600	.084
*HP048AKA*	FCP60****	47000	10.10	.72	9.6	4653	48000	3.40	7.40	30000	2.32	1600	.082
*HP048AKA*	FCX48****	47000	11.00	.73	9.8	4273	48000	3.40	7.70	30000	2.32	1600	TXV
*HP048AKA*	EAH5548**+TD1	47000	10.50	.76	9.9	4476	47000	3.38	7.50	29000	2.30	1600	.084
*HP048AKA*	EP*48J****	46000	10.20	.77	9.7	4510	47500	3.40	7.40	29600	2.32	1600	.082
*HP048AKA*	EP*60J****	46000	10.40	.76	9.8	4423	48000	3.40	7.50	29400	2.32	1600	.082
*HP048AKA*	EMH48F****	46000	10.00	.71	9.7	4600	47500	3.40	7.40	29600	2.32	1600	.082
*HP048AKA*	EP*48J****+TD1	46000	10.50	.77	9.7	4381	47500	3.40	7.40	29600	2.32	1600	.082
*HP048AKA*	EP*48J****+HTXV4	46000	10.70	.76	9.7	4299	47500	3.40	7.40	29600	2.32	1600	TXV
*HP048AKA*	EP*60J****+HTXV4	46000	10.70	.77	9.9	4299	48000	3.40	7.50	29400	2.32	1600	TXV
*HP048AKA*	EP*60N****+HTXV4	46000	10.70	.76	9.9	4299	48000	3.40	7.50	29400	2.32	1600	TXV
*HP048AKA*	EP*60N****	46000	10.40	.76	9.8	4423	48000	3.40	7.50	29400	2.32	1600	.082
*HP048AKA*	FCP48****+HTXV4	45500	10.40	.72	9.5	4375	48000	3.38	7.50	29400	2.30	1600	TXV
*HP048AKA*	FCP48****	45500	10.00	.72	9.5	4550	48000	3.38	7.50	29400	2.30	1600	.082
*HP060AKA*	EX*60N****+MV20N26****	59500	11.00	.73	10.5	5409	59500	3.50	8.20	37000	2.46	1800	TXV
*HP060AKA*	EX*60N****	59000	11.10	.71	10.0	5315	60000	3.40	7.50	37000	2.36	1800	TXV
*HP060AKA*	EAH5560**+HTXV5	59000	10.50	.72	9.8	5619	58500	3.42	7.50	34600	2.32	1800	TXV
*HP060AKA*	EAH5560**	58000	10.00	.72	9.6	5800	58500	3.40	7.50	34600	2.32	1800	.093
*HP060AKA*	EAH5560**+TD1	58000	10.05	.72	9.6	5771	58500	3.42	7.50	36600	2.32	1800	.093
*HP060AKA*	FCX60****	57500	10.30	.71	9.4	5583	60000	3.20	7.40	37400	2.28	1800	TXV
*HP060AKA*	FCP60****	57000	10.10	.73	9.0	5644	60000	3.30	7.40	37000	2.28	1800	.093
*HP060AKA*	EP*60N****+HTXV5	56000	10.10	.73	9.3	5545	60000	3.40	7.40	37000	2.30	1800	TXV
*HP060AKA*	EP*60N****	56000	10.00	.73	9.3	5600	60000	3.40	7.40	37000	2.30	1800	.093
*HP060AKA*	EP*60N****+TD1	56000	10.10	.72	9.3	5545	60000	3.40	7.40	37000	2.30	1800	.093
*HP060AKA*	EP*60N****+HTXV5+TD1	56000	10.20	.73	9.3	5490	60000	3.40	7.40	37000	2.30	1800	TXV
*HP060AKA*	FCP60****+HTXV5	56000	10.20	.71	9.0	5490	60000	3.30	7.40	37400	2.28	1800	TXV
*HP060AKA*	EP*60J****+HTXV5+TD1	54000	10.20	.71	9.3	5294	60000	3.40	7.40	37400	2.30	1600	TXV
*HP060AKA*	EP*60J****	54000	10.00	.71	9.3	5400	60000	3.40	7.40	36600	2.30	1600	.093
*HP060AKA*	EP*60J****+TD1	54000	10.10	.71	9.3	5347	60000	3.40	7.40	36600	2.30	1600	.093

Many matches require a pin change. Always check pin size to insure maximum performance. PIN=Refrigerant orifice PIN size. TD1=AMA001TDA Indoor Blower Time Delay Kit, required to make SEER indicated. All products using an electronic fan control satisfy TD1 requirements. TXV=Thermostatic Expansion Valve, TXV153 (AMF153) replaces HTXV1,2 or 3 where listed in ratings, TXV335 (AMF335) Replaces HTXV4 or 5 where listed in ratings. EP\* = EPA, EPD, EPM series of coils. EX\* = EXA, EXD, EXM series of coils. EE\* = EEA OR EED series of coils.

### MODEL NUMBER IDENTIFICATION GUIDE

<b>MODEL NUMBER</b> <b>PRODUCT FAMILY</b> N = Brand	<b>HP</b>	<b>0</b>	<b>24</b>	<b>A</b>	<b>K</b>	<b>A</b>	<b>SALES CODE</b> <b>ELECTRICAL</b> K = 208/230-1-60 H = 208/230-3-60 <b>CONNECTIONS</b> A = Sweat / Valve G = Sweat / Valve w/Coil Guard
<b>PRODUCT TYPE</b> AC = Air Conditioning CA = Condenser A/C HP = Heat Pump CH = Condenser H/P							<b>NOMINAL CAPACITY MBTUH</b> 18 = 18,000 24 = 24,000 30 = 30,000 36 = 36,000 42 = 42,000 48 = 48,000 60 = 60,000
<b>NOMINAL SEER RATING</b> 0 = 10 2 = 12 4 = 14							

### EXTENDED REFRIGERANT LINE CORRECTION FACTORS

Varying Line Length in Feet ( m ) vs. Total Capacity Multiplier

25 ( 8 )	50 ( 15 )	75 ( 23 )	100 ( 30 )	125 ( 38 )	150 ( 46 )
1.00	.99	.98	.96	.94	.92

#### REFRIGERANT CHARGE DATA

All models are factory charged with R-22 for outdoor unit, 25' ( 8m ) of refrigerant line and matching indoor section.  
Refrigerant charge correction per foot ( 305mm ) of line:  
1/4" O.D. = .25 oz.; 5/16" O.D. = .45 oz.; 3/8" O.D. = .60 oz.;  
1/2" O.D. = 1.2 oz.

### VOLTAGE CORRECTION FACTORS

Volts	Capacity	Watts
208	.98	.99

### INDOOR AIRFLOW CORRECTION TABLE

% Rated Air	90	95	100	105	110
Total Cap. Mult.	.98	.99	1.00	1.01	1.03
Sens Cap. Mult.	.95	.98	1.00	1.03	1.05

### INDOOR TEMPERATURE CORRECTION TABLE

(Based on 95°F Ambient)

Indoor D.B. °F (°C)	Correction Factor	Entering Indoor Wet Bulb °F (°C)						
		59 (15)	61 (16)	63 (17)	65 (18)	67 (19)	69 (20)	71 (21)
70 (21)	Total Cap. Mult.	.90	.93	.96	.99	1.02	-	-
	Sens Cap. Mult.	.86	.85	.82	.77	.70	-	-
75 (24)	Total Cap. Mult.	.89	.92	.95	.98	1.01	1.04	-
	Sens Cap. Mult.	1.04	1.03	1.00	.95	.88	.78	-
80 (26)	Total Cap. Mult.	.88	.91	.94	.97	1.00	1.03	1.06
	Sens Cap. Mult.	1.18	1.17	1.14	1.08	1.00	.89	.73
85 (29)	Total Cap. Mult.	-	.90	.93	.96	.99	1.02	1.05
	Sens Cap. Mult.	-	1.29	1.26	1.20	1.11	.98	.81

Bold Type = approximately 50% Relative Humidity