



H2H3

Product Specifications

**EFFICIENT 13 SEER 3-PHASE HEAT PUMP
3 THRU 5 TONS SPLIT SYSTEM
208 / 230 Volt, 3-phase, 60 Hz**

REFRIGERATION CIRCUIT

- Copeland Scroll™ compressors on all models
- Crankcase Heaters factory installed on all models
- Suction line accumulator factory installed
- Bi-flow filter-drier supplied with every unit for field installation
- Integrated solid state control with Time-Temperature Defrost
- High and Low pressure switches
- Copper tube / aluminum fin coil

PERFORMANCE

- Compressor Sound Jacket standard

EASY TO INSTALL AND SERVICE

- Comfort Alert™ Diagnostics device on all models
- Easy Access service valves on all models
- Innovative control box design
- External high and low refrigerant service ports
- Fan motor in-line disconnect plug
- Only two screws to access control panel
- Factory charged with R-22 refrigerant

BUILT TO LAST

- High gloss, baked-on powder coat finish over galvanized steel
- Post-painted (black) coil fins
- Coated, weather-resistant cabinet screws
- Coated inlet grille with 3/8" (10mm) spacing for extra protection
- Corner Posts for extra strength and style

WARRANTY

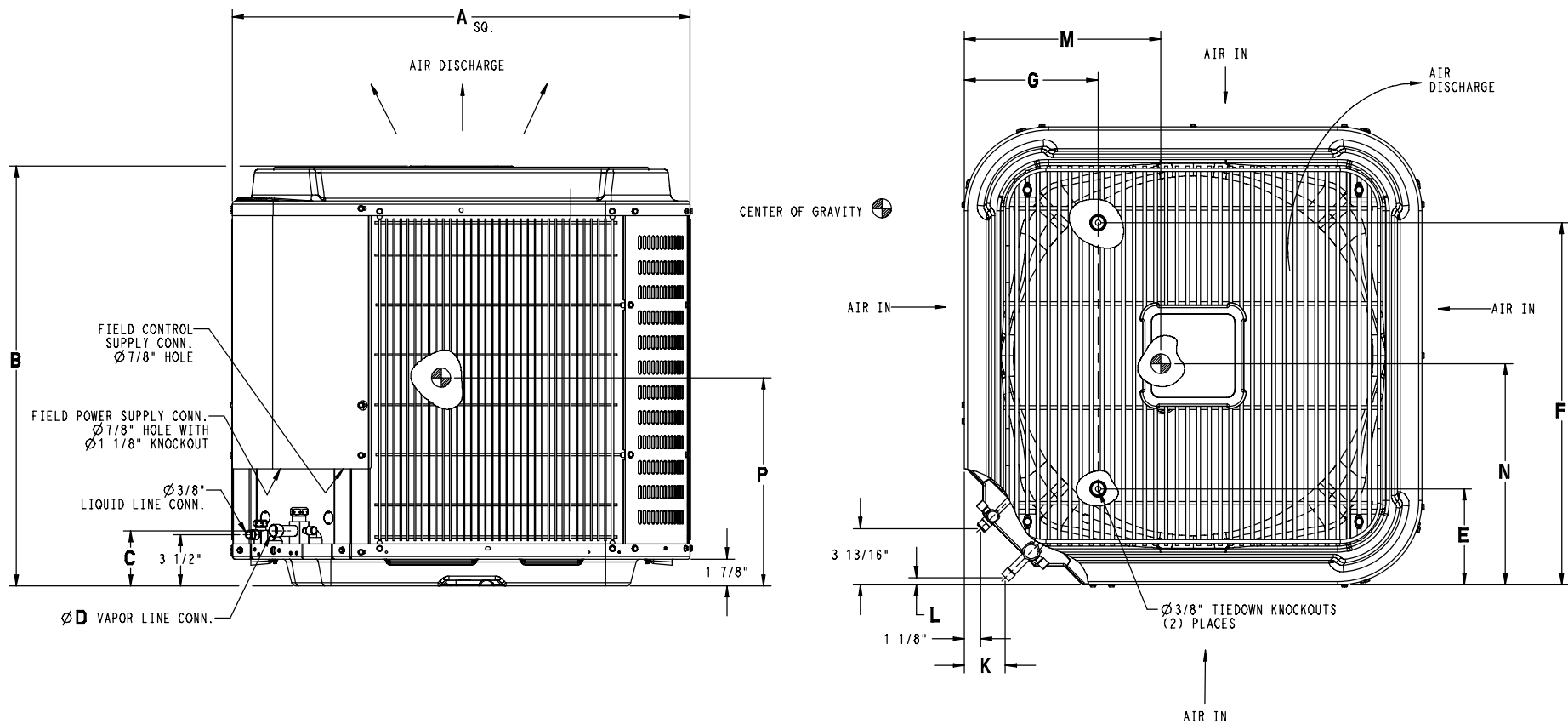
- 5 year compressor limited warranty
- 1 year parts limited warranty



Rated in accordance with ARI Standard 210/240 Unitary Heat Pumps. Certification applies only when used with proper components as listed with ARI.

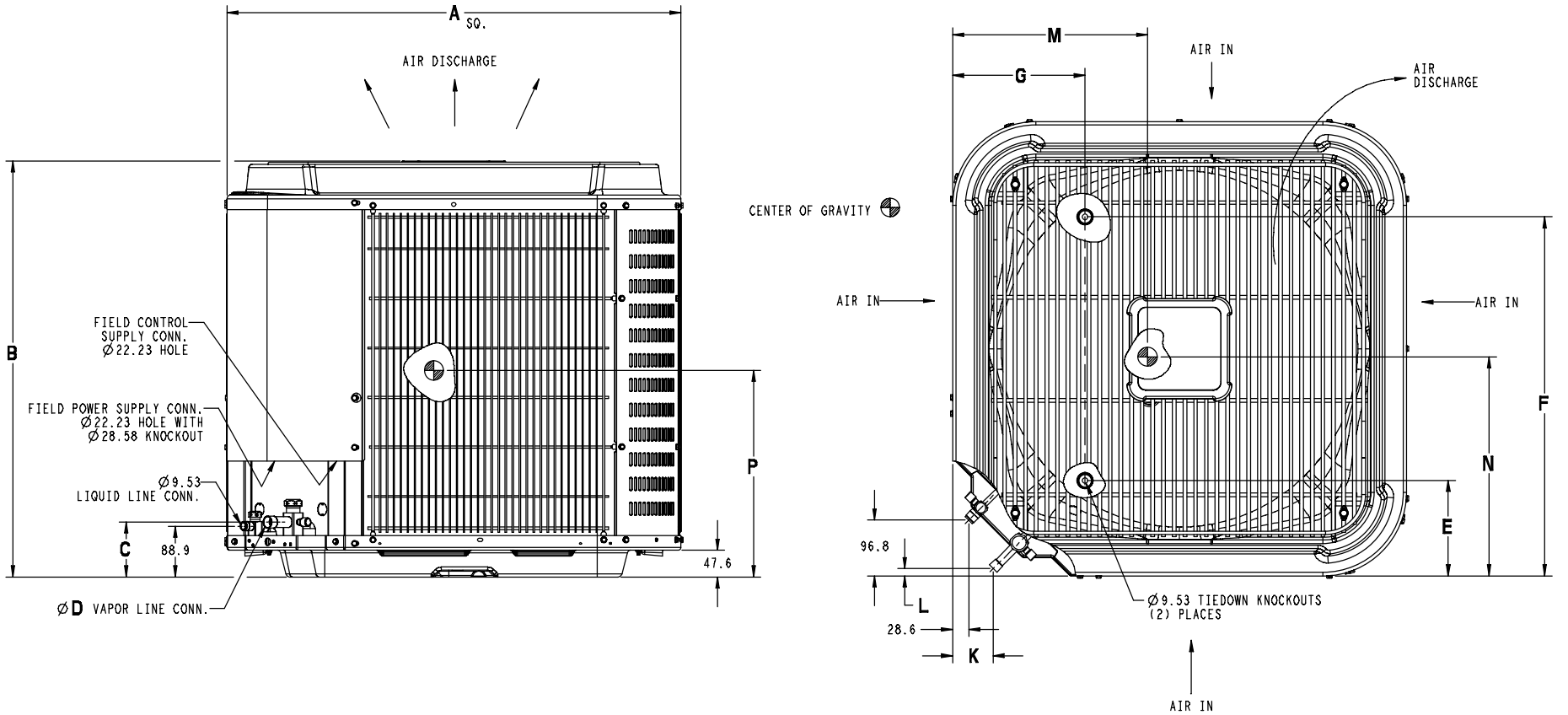


Model Number	Voltage	Size (tons)	Nominal Btu/hr	Min. Circuit Ampacity	Max. Fuse or Breaker	Operating Dimensions height x width x depth in. (mm)	Ship / Operating Weight lbs. (kg)
H2H336GHD	208/230	3	36,000	14.7	25	33 ⁵ / ₁₆ x 35 x 35 (846 x 889 x 889)	253 / 210 (115 / 95)
H2H342GHD	208/230	3½	42,000	17.9	30	40 ¹ / ₈ x 35 x 35 (1019 x 889 x 889)	271 / 227 (123 / 103)
H2H348GHD	208/230	4	48,000	18.4	30	29 ⁷ / ₈ x 35 x 35 (760 x 889 x 889)	283 / 248 (128 / 112)
H2H360GHD	208/230	5	60,000	25.0	40	33 ⁵ / ₁₆ x 35 x 35 (846 x 889 x 889)	323 / 281 (147 / 127)



Specifications subject to change without notice.

Model	Dimensions Inches												Minimum Mounting Pad Size	Crated Dimensions B(h) x A(w) x R(d)
	A	B	C	D	E	F	G	K	L	M	N	P		
H2H336GHD	35	33 ⁵ / ₁₆	3 ³ / ₄	3 ⁴ / ₄	6 ⁹ / ₁₆	28 ⁷ / ₁₆	9 ¹ / ₈	2 ¹³ / ₁₆	1 ¹ / ₂	15 ¹ / ₂	17	16	35 x 35	39 ³ / ₈ x 39 ¹ / ₄ x 36 ¹ / ₈
H2H342GHD	35	40 ¹ / ₈	3 ⁷ / ₈	7 ⁸ / ₈	6 ⁹ / ₁₆	28 ⁷ / ₁₆	9 ¹ / ₈	2 ¹⁵ / ₁₆	5 ⁸ / ₈	16	17	17	35 x 35	46 ¹ / ₈ x 39 ¹ / ₄ x 36 ¹ / ₈
H2H348GHD	35	29 ⁷ / ₈	3 ⁷ / ₈	7 ⁸ / ₈	6 ⁹ / ₁₆	28 ⁷ / ₁₆	9 ¹ / ₈	2 ¹⁵ / ₁₆	5 ⁸ / ₈	16	17	13	35 x 35	35 ¹⁵ / ₁₆ x 39 ¹ / ₄ x 36 ¹ / ₈
H2H360GHD	35	33 ⁵ / ₁₆	3 ⁷ / ₈	7 ⁸ / ₈	6 ⁹ / ₁₆	28 ⁷ / ₁₆	9 ¹ / ₈	2 ¹⁵ / ₁₆	5 ⁸ / ₈	16	16	15	35 x 35	39 ³ / ₈ x 39 ¹ / ₄ x 36 ¹ / ₈



Model	Dimensions MM												Minimum Mounting Pad Size	Crated Dimensions B(h) x A(w) x R(d)
	A	B	C	D	E	F	G	K	L	M	N	P		
H2H336GHD	889	846	95	19	166	722	232	71	13	394	432	406	889 x 889	1000 x 997 x 918
H2H342GHD	889	1019	98	22	166	722	232	75	16	406	432	432	889 x 889	1172 x 997 x 918
H2H348GHD	889	760	98	22	166	722	232	75	16	406	432	330	889 x 889	913 x 997 x 918
H2H360GHD	889	846	98	22	166	722	232	75	16	406	406	381	889 x 889	1000 x 997 x 918

PHYSICAL DATA				
Model Size	36	42	48	60
Nominal Cooling Capacity (BTU/hr)	36,000	42,000	48,000	60,000
Nominal SEER	13.0	13.0	13.0	13.0
Sound Rating (dBA)**	73	74	73	76
PSC Fan Motor HP	1/8	1/8	1/4	1/4
Fan RPM	835	835	807	818
Fan CFM	3300	3300	4000	4000
Coil Face Area ft ² (m ²)	20.1 (1.9)	25.2 (2.3)	17.6 (1.6)	20.1 (1.9)
Coil Rows – fins per inch	1 – 20	1 – 20	2 – 20	2 – 20
Low Pressure Switch	Open Pressure (psig) 7 ± 3 Close Pressure (psig) 22 ± 5	Open Pressure (psig) 7 ± 3 Close Pressure (psig) 22 ± 5	Open Pressure (psig) 7 ± 3 Close Pressure (psig) 22 ± 5	Open Pressure (psig) 7 ± 3 Close Pressure (psig) 22 ± 5
High Pressure Switch	Open Pressure (psig) 426 ± 7 Close Pressure (psig) 272 ± 26	Open Pressure (psig) 426 ± 7 Close Pressure (psig) 272 ± 26	Open Pressure (psig) 426 ± 7 Close Pressure (psig) 272 ± 26	Open Pressure (psig) 426 ± 7 Close Pressure (psig) 272 ± 26
Liquid Line Connection Size in. (mm)	3/8 (10)	3/8 (10)	3/8 (10)	3/8 (10)
Vapor Line Connection Size in. (mm)	3/4 (19)	7/8 (22)	7/8 (22)	7/8 (22)
Recommended Line Set Liquid Tube Diameter in. (mm)	3/8 (10)	3/8 (10)	3/8 (10)	3/8 (10)
Recommended Line Set Vapor Tube Diameter in. (mm)*	3/4 (19)*	7/8 (22)*	7/8 (22)*	1 1/8 (29)*
*Recommended Vapor Tube Line size is for standard installations. These recommendations may not apply to “Long Line” installations. When the total equivalent line length exceeds 80 feet (24.4m) or there is more than 20 feet (6.1m) vertical separation between indoor and outdoor units, consult the Long Line Application Guideline document before purchasing/installing line sets.				
Factory Charge R-22 lbs. (kg)	7.65 (3.47)	9.63 (4.37)	11.78 (5.34)	13.48 (6.11)
Required Subcooling ° F (° C)	11 (6)	11 (6)	12 (7)	12 (7)
Weight, shipping lbs. (kg)	253 (115)	271 (123)	283 (128)	323 (147)
Weight, operating lbs. (kg)	210 (95)	227 (103)	248 (112)	281 (127)
Weight, shipping (lbs.)	276	292	328	349
Weight, operating (lbs.)	247	262	295	315

ELECTRICAL DATA				
Model Size	36	42	48	60
Supply Voltage, 3-phase 60 Hz.	208/230	208/230	208/230	208/230
Acceptable Voltage Range, min-max	197-253	197-253	197-253	197-253
Minimum Circuit Ampacity – MCA (amps)	14.7	17.9	18.4	25.0
Maximum OverCurrent Protective device – MOCP (amps)	25	30	30	40
Compressor RLA (Rated Load Amps)	11.1	13.6	13.8	19.0
LRA (Locked Rotor Amps)	77	88	91	123
Fan Motor FLA (Full Load Amps)	0.9	0.9	1.2	1.2

**Sound Rating tested in accordance with ARI Standard 270-95 (not listed with ARI).

R-22 COOLING CAPACITY LOSS FOR VARIOUS LINE LENGTHS & TUBE DIAMETERS															
Model Size	Liquid Line in.(mm)	Acceptable Vapor Line Sizes in. (mm)	Cooling Capacity Loss (%) at Total Equivalent Line Length, feet (m) Refer to Long Line Application Guideline to calculate equivalent length												
			Standard Application			Long Line Application (Requires Accessories)									
			25' (7.6)	50' (15.2)	80' (24.4)	81' (24.7)	100' (30.5)	125' (38.1)	150' (45.7)	175' (53.3)	200' (61)	225' (68.6)	250' (76.2)		
36	3/8 (10)	3/4 (19)	0	1	2	2	3	4	5	6	7	8	9		
		7/8 (22)	0	0	1	1	1	2	2	3	3	4	4		
42		3/4 (19)	1	2	3	3	4	5	7	8	9	10	11		
		7/8 (22)	0	1	1	1	2	2	3	4	4	5	5		
48		3/4 (19)	1	2	4	4	5	7	8	10	11	13	14		
		7/8 (22)	0	1	2	2	2	3	4	5	5	6	7		
		1 1/8 (29)	0	0	0	0	0	0	1	1	1	1	1		
60		7/8 (22)	1	2	3	3	4	5	7	8	9	10	11		
	1 1/8 (29)	0	0	1	1	1	1	2	2	2	3	3			

* Applications are considered "Long Line" if the total equivalent tubing length exceeds 80 feet (24.4m) or there is more than 20 foot (6.1m) vertical separation between indoor and outdoor units. These applications require additional accessories and system modifications for reliable system operation.

Applications in shaded area may have height restrictions that limit allowable total equivalent length when outdoor unit is below indoor unit.

ACCESSORY USAGE GUIDELINES			
Accessory	REQUIRED FOR APPLICATIONS IN SNOW-BELT REGION	REQUIRED FOR LOW-AMBIENT APPLICATIONS {Below 55°F (13°C)}	REQUIRED FOR LONG-LINE APPLICATIONS* {Over 80 Ft. (24.4m)}
Evaporator Freeze Thermostat	No	Yes	No
Accumulator	Standard (factory installed)	Standard (factory installed)	Standard (factory installed)
Support Feet, 4" (102mm) tall	Yes	Recommended	No
Liquid Line Solenoid Valve	No	No	See Long-Line Application Guideline

* For Line Set lengths between 80 and 200 ft (24.4 and 61m) horizontal, or more than 20 ft (6.1m) indoor-outdoor vertical separation, refer to the Long Line Application Guideline document.

ACCESSORIES		
Part Number	Description	Used On Model Size
NASA001FS	Evaporator Freeze Thermostat	ALL
NASA001LS	Liquid Line Solenoid Valve, HP, R-22 or R-410A	ALL
NASA001LA	Low Ambient Kit	ALL
NASA001TD	Time Delay Relay, Indoor Blower	ALL
NASA001AC	Anti-Cycle Timer (5 minute delay)	ALL
NASA00106SS	Snow Stand Kit	ALL
NASA001SF	Support Feet, 4" (102mm) tall	ALL
AMF153TKB	TXV Kit, R-22 (converts R-22 piston coils to R-22 TXV)	36
AMF355TKB	TXV Kit, R-22 (converts R-22 piston coils to R-22 TXV)	42, 48, 60
AXWR01DFC	Fossil Fuel Kit	ALL

COOLING & HEATING PERFORMANCE FOR COMBINATION RATINGS

Indoor Models

Outdoor Model	Current Indoor Model (‡ tested combo)	Furnace Model	Factory Installed	Cool 95° F (35° C)			SEER		Heat 47° F (8.3° C)		Heat 17° F (-8.3° F)		HSPF
				BTU/hr	S / T	EER	Factory	With Field TDR	BTU/hr	COP	BTU/hr	COP	
H2H336GHD	‡FEM2X35****	†	TDR&TXV	34,800	0.76	10.80	13.00		34,200	3.46	20,600	2.44	8.0
	EB*2X36F**	MV12F19**B*	TDR&TXV	34,200	0.76	11.00	13.20		34,600	3.52	20,200	2.46	8.1
	EB*2X36J**	*8MPV100	TDR&TXV	34,600	0.76	11.00	13.00		34,000	3.48	20,600	2.46	8.0
	EB*2X36J**	*8MPV125	TDR&TXV	34,600	0.76	11.00	13.20		34,200	3.50	20,400	2.46	8.1
	EB*2X36J**	*9MPV100	TDR&TXV	34,600	0.76	10.80	13.00		34,400	3.46	20,600	2.42	8.0
	EB*2X36J**	MV16J22**B*	TDR&TXV	34,400	0.76	11.20	13.50		34,600	3.54	20,200	2.46	8.1
	EB*2X42F**	MV12F19**B*	TDR&TXV	34,600	0.76	11.20	13.50		34,000	3.54	20,200	2.48	8.1
	EB*2X42J**	*8MPV100	TDR&TXV	35,000	0.76	11.00	13.20		32,800	3.44	20,600	2.46	8.1
	EB*2X42J**	*8MPV125	TDR&TXV	35,000	0.76	11.00	13.20		33,000	3.48	20,600	2.48	8.1
	EB*2X42J**	*9MPV100	TDR&TXV	34,800	0.76	10.80	13.00		33,200	3.44	20,600	2.44	8.0
	EB*2X42J**	MV16J22**B*	TDR&TXV	34,600	0.76	11.20	13.50		34,000	3.56	20,200	2.48	8.1
	EB*2X42L**	*9MPV125	TDR&TXV	35,000	0.76	11.00	13.20		33,000	3.46	20,600	2.46	8.1
	EB*2X42L**	MV20L24**B*	TDR&TXV	34,600	0.76	11.20	13.50		34,000	3.56	20,200	2.48	8.2
	ED*2X36F**	MV12F19**B*	TDR&TXV	34,200	0.76	11.00	13.20		34,600	3.52	20,200	2.46	8.1
	ED*2X36J**	*8MPV100	TDR&TXV	34,600	0.76	11.00	13.00		34,000	3.48	20,600	2.46	8.0
	ED*2X36J**	*8MPV125	TDR&TXV	34,600	0.76	11.00	13.20		34,200	3.50	20,400	2.46	8.1
	ED*2X36J**	*9MPV100	TDR&TXV	34,600	0.76	10.80	13.00		34,400	3.46	20,600	2.42	8.0
	ED*2X36J**	MV16J22**B*	TDR&TXV	34,400	0.76	11.20	13.50		34,600	3.54	20,200	2.46	8.1
	ED*2X42F**	MV12F19**B*	TDR&TXV	34,600	0.76	11.20	13.50		34,000	3.54	20,200	2.48	8.1
	ED*2X42J**	*8MPV100	TDR&TXV	35,000	0.76	11.00	13.20		32,800	3.44	20,600	2.46	8.0
	ED*2X42J**	*8MPV125	TDR&TXV	35,000	0.76	11.00	13.20		33,000	3.48	20,600	2.48	8.1
	ED*2X42J**	*9MPV100	TDR&TXV	34,800	0.76	10.80	13.00		33,200	3.44	20,600	2.44	8.0
	ED*2X42J**	MV16J22**B*	TDR&TXV	34,600	0.76	11.20	13.50		34,000	3.56	20,200	2.48	8.1
	ED*2X42L**	*9MPV125	TDR&TXV	35,000	0.76	11.00	13.20		33,000	3.46	20,600	2.46	8.0
	ED*2X42L**	*9MVX100	TDR&TXV	34,800	0.76	10.80	13.00		33,600	3.48	20,600	2.46	8.1
	ED*2X42L**	MV20L24**B*	TDR&TXV	34,600	0.76	11.20	13.50		34,000	3.56	20,200	2.48	8.1
EHD2X36A**	*8MPV075	TDR&TXV	35,000	0.76	11.00	13.00		32,000	3.38	20,600	2.44	8.0	
EHD2X36A**	*8MPV100	TDR&TXV	35,400	0.76	11.00	13.20		31,000	3.36	20,600	2.48	8.0	

ENERGY STAR (Light Commercial) compliance for combinations with both: SEER 13.00 or higher and HSPF 7.7 or higher.

† For coils not listed with a matching furnace or blower, coil rating applies with any indoor blower device.

- continued on next page -

COOLING & HEATING PERFORMANCE FOR COMBINATION RATINGS (continued)
Indoor Models

Outdoor Model	Current Indoor Model (‡ tested combo)	Furnace Model	Factory Installed	Cool 95° F (35° C)			SEER		Heat 47° F (8.3° C)		Heat 17° F (-8.3° F)		HSPF
				BTU/hr	S / T	EER	Factory	With Field TDR	BTU/hr	COP	BTU/hr	COP	
H2H336GHD (continued)	EHD2X36A**	*8MPV125	TDR&TXV	35,400	0.76	11.20	13.20		31,200	3.40	20,600	2.50	8.0
	EHD2X36A**	*9MPV100	TDR&TXV	35,200	0.76	11.00	13.00		31,400	3.36	20,800	2.46	8.0
	EHD2X36A**	*9MPV125	TDR&TXV	35,400	0.76	11.00	13.20		31,400	3.38	20,600	2.48	8.0
	EHD2X36A**	*9MVX080	TDR&TXV	35,400	0.76	10.80	13.00		30,200	3.32	20,800	2.46	8.0
	EHD2X36A**	*9MVX100	TDR&TXV	35,200	0.76	11.00	13.20		31,400	3.42	20,600	2.46	8.1
	EHD2X36A**	MV08B15**B*	TDR&TXV	35,000	0.76	11.20	13.50		32,400	3.50	20,400	2.48	8.1
	EHD2X36A**	MV12F19**B*	TDR&TXV	35,200	0.76	11.20	13.50		32,400	3.52	20,200	2.50	8.2
	EHD2X36A**	MV16J22**B*	TDR&TXV	35,200	0.76	11.20	13.50		32,400	3.54	20,200	2.50	8.2
	EHD2X36A**	MV20L24**B*	TDR&TXV	35,200	0.76	11.20	13.50		32,400	3.52	20,200	2.50	8.2
	EHD2X42A**	*8MPV075	TDR&TXV	35,400	0.76	11.00	13.00		30,400	3.32	20,800	2.46	8.0
	EHD2X42A**	*8MPV100	TDR&TXV	35,800	0.76	11.20	13.20		29,200	3.28	20,800	2.50	8.0
	EHD2X42A**	*8MPV125	TDR&TXV	35,800	0.76	11.20	13.50		29,600	3.32	20,600	2.52	8.0
	EHD2X42A**	*9MPV075	TDR&TXV	35,000	0.76	10.80	13.00		31,200	3.30	20,800	2.42	7.9
	EHD2X42A**	*9MPV100	TDR&TXV	35,600	0.76	11.00	13.20		29,800	3.28	20,800	2.48	8.0
	EHD2X42A**	*9MPV125	TDR&TXV	35,600	0.76	11.20	13.20		29,800	3.32	20,600	2.50	8.0
	EHD2X42A**	*9MVX080	TDR&TXV	35,800	0.76	11.00	13.20		28,800	3.26	20,800	2.48	8.0
	EHD2X42A**	*9MVX100	TDR&TXV	35,400	0.76	11.00	13.20		29,600	3.34	20,600	2.48	8.1
	EHD2X42A**	MV08B15**B*	TDR&TXV	35,400	0.76	11.20	13.50		30,600	3.44	20,400	2.50	8.1
	EHD2X42A**	MV12F19**B*	TDR&TXV	35,400	0.76	11.20	13.50		30,600	3.46	20,200	2.52	8.2
	EHD2X42A**	MV16J22**B*	TDR&TXV	35,400	0.76	11.20	13.50		30,400	3.48	20,200	2.52	8.2
	EHD2X42A**	MV20L24**B*	TDR&TXV	35,400	0.76	11.20	13.50		30,600	3.48	20,200	2.52	8.2
	FEM2X36****	†	TDR&TXV	35,400	0.76	11.00	13.00		30,400	3.30	20,800	2.46	8.0
	FEM2X42****	†	TDR&TXV	35,400	0.76	11.00	13.20		30,200	3.32	20,600	2.48	8.0
	FVM2X24****	†	TDR&TXV	34,000	0.76	10.80	13.00		36,000	3.58	20,400	2.42	8.0
	FVM2X36****	†	TDR&TXV	34,400	0.76	11.20	13.20		34,600	3.50	20,200	2.44	8.0
	H2H342GHD	‡FEM2X42****	†	TDR&TXV	41,000	0.75	10.80	13.00		41,000	3.48	24,600	2.42
EB*2X42J**		*8MPV100	TDR&TXV	40,000	0.75	10.80	13.00		42,000	3.48	24,400	2.42	8.0
EB*2X42J**		*8MPV125	TDR&TXV	40,000	0.75	10.80	13.00		41,500	3.50	24,400	2.42	8.0
EB*2X42J**		*9MPV100	TDR&TXV	40,000	0.75	10.50	13.00		42,000	3.46	24,600	2.38	8.0
	EB*2X42J**	MV16J22**B*	TDR&TXV	40,000	0.75	11.20	13.50		41,500	3.52	24,000	2.44	8.1

ENERGY STAR (Light Commercial) compliance for combinations with both: SEER 13.00 or higher and HSPF 7.7 or higher.

† For coils not listed with a matching furnace or blower, coil rating applies with any indoor blower device.

- continued on next page -

COOLING & HEATING PERFORMANCE FOR COMBINATION RATINGS (continued)

Indoor Models

Outdoor Model	Current Indoor Model (‡ tested combo)	Furnace Model	Factory Installed	Cool 95° F (35° C)			SEER		Heat 47° F (8.3° C)		Heat 17° F (-8.3° F)		HSPF
				BTU/hr	S / T	EER	Factory	With Field TDR	BTU/hr	COP	BTU/hr	COP	
H2H342GHD (continued)	EB*2X42L**	*9MPV125	TDR&TXV	40,000	0.75	10.80	13.00		42,000	3.48	24,400	2.40	8.0
	EB*2X42L**	MV20L24**B*	TDR&TXV	40,000	0.75	11.20	13.50		41,500	3.54	24,000	2.46	8.1
	EB*2X48F**	*8MPV075	TDR&TXV	40,500	0.75	10.50	13.00		39,000	3.40	24,800	2.40	8.0
	EB*2X48F**	MV12F19**B*	TDR&TXV	41,000	0.75	11.20	13.50		38,500	3.52	24,200	2.48	8.2
	EB*2X48J**	*8MPV100	TDR&TXV	41,000	0.75	11.00	13.20		39,500	3.50	24,600	2.46	8.2
	EB*2X48J**	*8MPV125	TDR&TXV	41,000	0.75	11.00	13.20		39,500	3.50	24,400	2.46	8.2
	EB*2X48J**	*9MPV100	TDR&TXV	40,500	0.75	10.80	13.00		40,000	3.46	24,600	2.42	8.1
	EB*2X48J**	MV16J22**B*	TDR&TXV	40,500	0.75	11.20	13.50		40,000	3.56	24,200	2.48	8.2
	EB*2X48L**	*9MPV125	TDR&TXV	40,500	0.75	11.00	13.20		40,000	3.48	24,400	2.44	8.1
	EB*2X48L**	*9MVX100	TDR&TXV	40,500	0.75	11.00	13.20		40,000	3.48	24,400	2.44	8.1
	EB*2X48L**	MV20L24**B*	TDR&TXV	40,500	0.75	11.20	13.50		40,000	3.56	24,000	2.48	8.3
	ED*2X42F**	MV12F19**B*	TDR&TXV	40,000	0.75	11.00	13.20		42,000	3.50	24,200	2.42	8.1
	ED*2X42J**	*8MPV100	TDR&TXV	40,000	0.75	10.80	13.00		42,000	3.48	24,400	2.42	8.0
	ED*2X42J**	*8MPV125	TDR&TXV	40,000	0.75	10.80	13.20		41,500	3.50	24,400	2.42	8.0
	ED*2X42J**	*9MPV100	TDR&TXV	40,000	0.75	10.50	13.00		42,000	3.46	24,600	2.38	8.0
	ED*2X42J**	MV16J22**B*	TDR&TXV	40,000	0.75	11.20	13.50		41,500	3.52	24,000	2.44	8.1
	ED*2X42L**	*9MPV125	TDR&TXV	40,000	0.75	10.80	13.00		42,000	3.48	24,400	2.40	8.0
	ED*2X42L**	MV20L24**B*	TDR&TXV	40,000	0.75	11.20	13.50		41,500	3.54	24,000	2.46	8.1
	ED*2X48F**	*8MPV075	TDR&TXV	40,500	0.75	10.50	13.00		39,000	3.40	24,800	2.40	8.0
	ED*2X48F**	MV12F19**B*	TDR&TXV	41,000	0.75	11.20	13.50		38,500	3.52	24,200	2.48	8.2
	ED*2X48J**	*8MPV100	TDR&TXV	41,000	0.75	11.00	13.20		39,500	3.50	24,600	2.46	8.2
	ED*2X48J**	*8MPV125	TDR&TXV	41,000	0.75	11.00	13.20		39,500	3.50	24,400	2.46	8.2
	ED*2X48J**	*9MPV100	TDR&TXV	40,500	0.75	10.80	13.00		40,000	3.46	24,600	2.42	8.1
	ED*2X48J**	MV16J22**B*	TDR&TXV	40,500	0.75	11.20	13.50		40,000	3.56	24,200	2.48	8.2
	ED*2X48L**	*9MPV125	TDR&TXV	40,500	0.75	11.00	13.20		40,000	3.48	24,400	2.44	8.1
	ED*2X48L**	*9MVX100	TDR&TXV	40,500	0.75	11.00	13.20		40,000	3.48	24,400	2.44	8.1
	ED*2X48L**	MV20L24**B*	TDR&TXV	40,500	0.75	11.20	13.50		40,000	3.56	24,000	2.48	8.3
	EHD2X42A**	*8MPV075	TDR&TXV	40,500	0.75	10.80	13.00		41,000	3.48	24,800	2.40	8.0
	EHD2X42A**	*8MPV100	TDR&TXV	41,000	0.75	11.00	13.20		41,000	3.54	24,600	2.44	8.2
	EHD2X42A**	*8MPV125	TDR&TXV	41,000	0.75	11.20	13.20		41,000	3.56	24,400	2.46	8.2

ENERGY STAR (Light Commercial) compliance for combinations with both: SEER 13.00 or higher and HSPF 7.7 or higher.

† For coils not listed with a matching furnace or blower, coil rating applies with any indoor blower device.

- continued on next page -

COOLING & HEATING PERFORMANCE FOR COMBINATION RATINGS (continued)
Indoor Models

Outdoor Model	Current Indoor Model (‡ tested combo)	Furnace Model	Factory Installed	Cool 95° F (35° C)			SEER		Heat 47° F (8.3° C)		Heat 17° F (-8.3° F)		HSPF
				BTU/hr	S / T	EER	Factory	With Field TDR	BTU/hr	COP	BTU/hr	COP	
H2H342GHD (continued)	EHD2X42A**	*9MPV100	TDR&TXV	41,000	0.75	10.80	13.00		41,000	3.50	24,600	2.42	8.1
	EHD2X42A**	*9MPV125	TDR&TXV	41,000	0.75	11.00	13.20		41,000	3.52	24,400	2.44	8.2
	EHD2X42A**	*9MVX080	TDR&TXV	41,000	0.75	10.80	13.00		41,000	3.50	24,800	2.42	8.1
	EHD2X42A**	*9MVX100	TDR&TXV	40,500	0.75	11.00	13.20		41,000	3.52	24,400	2.44	8.1
	EHD2X42A**	MV12F19**B*	TDR&TXV	41,000	0.75	11.20	13.50		41,000	3.58	24,200	2.48	8.3
	EHD2X42A**	MV16J22**B*	TDR&TXV	41,000	0.75	11.20	13.50		41,000	3.60	24,200	2.48	8.3
	EHD2X42A**	MV20L24**B*	TDR&TXV	41,000	0.75	11.20	13.50		41,000	3.60	24,200	2.48	8.3
	EHD2X48A**	*8MPV075	TDR&TXV	41,000	0.75	10.80	13.00		41,000	3.48	24,800	2.40	8.0
	EHD2X48A**	*8MPV100	TDR&TXV	41,000	0.75	11.00	13.20		40,500	3.54	24,600	2.46	8.2
	EHD2X48A**	*8MPV125	TDR&TXV	41,000	0.75	11.20	13.20		40,500	3.56	24,400	2.46	8.2
	EHD2X48A**	*9MPV100	TDR&TXV	41,000	0.75	11.00	13.00		40,500	3.50	24,600	2.44	8.2
	EHD2X48A**	*9MPV125	TDR&TXV	41,000	0.75	11.00	13.20		40,500	3.52	24,600	2.44	8.2
	EHD2X48A**	*9MVX080	TDR&TXV	41,000	0.75	10.80	13.00		40,500	3.50	24,800	2.44	8.1
	EHD2X48A**	*9MVX100	TDR&TXV	41,000	0.75	11.00	13.20		41,000	3.52	24,400	2.44	8.2
	EHD2X48A**	MV12F19**B*	TDR&TXV	41,000	0.75	11.20	13.50		40,500	3.58	24,200	2.48	8.3
	EHD2X48A**	MV16J22**B*	TDR&TXV	41,000	0.75	11.20	13.50		40,500	3.60	24,200	2.50	8.3
	EHD2X48A**	MV20L24**B*	TDR&TXV	41,000	0.75	11.20	13.50		40,500	3.60	24,200	2.50	8.3
	FEM2X48****	†	TDR&TXV	42,000	0.75	11.20	13.50		38,000	3.48	24,600	2.50	8.2
	FVM2X36****	†	TDR&TXV	39,500	0.75	11.00	13.20		42,000	3.42	24,000	2.40	7.8
	FVM2X48****	†	TDR&TXV	41,500	0.75	11.20	13.50		37,200	3.40	24,200	2.48	8.1
H2H348GHD	‡FEM2X48****	†	TDR&TXV	47,000	0.75	10.80	13.00		46,500	3.54	29,800	2.56	8.0
	EB*2X48J**	*8MPV100	TDR&TXV	45,500	0.75	10.80	13.00		47,000	3.40	29,600	2.50	7.7
	EB*2X48J**	*8MPV125	TDR&TXV	45,500	0.75	10.80	13.00		47,000	3.40	29,400	2.52	7.8
	EB*2X48J**	MV16J22**B*	TDR&TXV	46,000	0.75	11.20	13.50		46,000	3.42	29,000	2.54	7.7
	EB*2X48L**	*9MPV125	TDR&TXV	45,500	0.75	10.80	13.00		47,000	3.36	29,600	2.48	7.7
	EB*2X48L**	MV20L24**B*	TDR&TXV	46,000	0.75	11.20	13.50		46,000	3.42	29,000	2.56	7.7
	EB*2X60J**	*8MPV100	TDR&TXV	47,000	0.75	11.00	13.20		41,000	3.24	29,600	2.54	7.7
	EB*2X60J**	*8MPV125	TDR&TXV	47,000	0.75	11.20	13.50		41,500	3.26	29,600	2.54	7.7
	EB*2X60J**	*9MPV100	TDR&TXV	46,500	0.75	10.80	13.00		41,500	3.22	29,800	2.50	7.7
	EB*2X60J**	MV16J22**B*	TDR&TXV	47,000	0.75	11.20	13.50		42,500	3.38	29,000	2.58	7.8

ENERGY STAR (Light Commercial) compliance for combinations with both: SEER 13.00 or higher and HSPF 7.7 or higher.

† For coils not listed with a matching furnace or blower, coil rating applies with any indoor blower device.

- continued on next page -

COOLING & HEATING PERFORMANCE FOR COMBINATION RATINGS (continued)
Indoor Models

Outdoor Model	Current Indoor Model (‡ tested combo)	Furnace Model	Factory Installed	Cool 95° F (35° C)			SEER		Heat 47° F (8.3° C)		Heat 17° F (-8.3° F)		HSPF
				BTU/hr	S / T	EER	Factory	With Field TDR	BTU/hr	COP	BTU/hr	COP	
H2H348GHD (continued)	EB*2X60L**	*9MPV125	TDR&TXV	46,500	0.75	11.00	13.20		42,500	3.26	29,800	2.52	7.7
	EB*2X60L**	MV20L24**B*	TDR&TXV	47,000	0.75	11.20	13.50		42,500	3.38	29,000	2.58	7.8
	ED*2X48J**	*8MPV100	TDR&TXV	45,500	0.75	10.80	13.00		47,000	3.40	29,600	2.50	7.7
	ED*2X48J**	*8MPV125	TDR&TXV	45,500	0.75	10.80	13.00		47,000	3.40	29,400	2.52	7.7
	ED*2X48J**	MV16J22**B*	TDR&TXV	46,000	0.75	11.20	13.50		46,000	3.42	29,000	2.54	7.7
	ED*2X48L**	*9MPV125	TDR&TXV	45,500	0.75	10.80	13.00		47,000	3.36	29,600	2.48	7.7
	ED*2X48L**	MV20L24**B*	TDR&TXV	46,000	0.75	11.20	13.50		46,000	3.42	29,000	2.56	7.7
	ED*2X60J**	*8MPV100	TDR&TXV	47,000	0.75	11.00	13.20		41,000	3.24	29,600	2.54	7.7
	ED*2X60J**	*8MPV125	TDR&TXV	47,000	0.75	11.20	13.50		41,500	3.26	29,600	2.54	7.7
	ED*2X60J**	*9MPV100	TDR&TXV	46,500	0.75	10.80	13.00		41,500	3.22	29,800	2.50	7.7
	ED*2X60J**	MV16J22**B*	TDR&TXV	47,000	0.75	11.20	13.50		42,500	3.38	29,000	2.58	7.8
	ED*2X60L**	*9MPV125	TDR&TXV	46,500	0.75	11.00	13.20		42,500	3.26	29,800	2.52	7.7
	ED*2X60L**	MV20L24**B*	TDR&TXV	47,000	0.75	11.20	13.50		42,500	3.38	29,000	2.58	7.8
	EHD2X48A**	*8MPV100	TDR&TXV	46,000	0.75	10.80	13.00		47,000	3.40	29,600	2.50	7.7
	EHD2X48A**	*8MPV125	TDR&TXV	46,000	0.75	11.00	13.20		47,000	3.42	29,600	2.52	7.7
	EHD2X48A**	*9MPV125	TDR&TXV	46,000	0.75	10.80	13.00		47,000	3.38	29,600	2.50	7.7
	EHD2X48A**	MV16J22**B*	TDR&TXV	46,500	0.75	11.20	13.50		46,000	3.46	29,000	2.56	7.7
	EHD2X48A**	MV20L24**B*	TDR&TXV	46,500	0.75	11.20	13.50		46,000	3.46	29,000	2.56	7.7
	EHD2X60A**	*8MPV100	TDR&TXV	47,500	0.75	11.20	13.50		44,500	3.44	29,800	2.54	7.7
	EHD2X60A**	*8MPV125	TDR&TXV	47,500	0.75	11.20	13.50		44,500	3.46	29,600	2.56	7.7
	EHD2X60A**	*9MPV100	TDR&TXV	47,000	0.75	11.00	13.20		45,000	3.40	29,800	2.52	7.7
	EHD2X60A**	*9MPV125	TDR&TXV	47,000	0.75	11.00	13.20		45,000	3.42	29,800	2.52	7.7
	EHD2X60A**	*9MVX080	TDR&TXV	47,500	0.75	11.00	13.20		45,500	3.40	29,800	2.52	7.7
	EHD2X60A**	*9MVX100	TDR&TXV	47,000	0.75	11.00	13.20		45,500	3.42	29,600	2.52	7.7
	EHD2X60A**	MV16J22**B*	TDR&TXV	47,500	0.75	11.50	14.00		45,000	3.52	29,000	2.60	7.9
	EHD2X60A**	MV20L24**B*	TDR&TXV	47,500	0.75	11.50	14.00		45,000	3.52	29,000	2.60	7.9
	FEM2X60****	†	TDR&TXV	48,000	0.75	11.50	14.00		41,500	3.36	29,600	2.60	8.0
	FVM2X48****	†	TDR&TXV	46,500	0.75	11.50	13.50		46,000	3.44	29,200	2.54	7.8
FVM2X60****	†	TDR&TXV	47,500	0.75	12.00	14.00		44,000	3.50	29,000	2.60	7.8	

ENERGY STAR (Light Commercial) compliance for combinations with both: SEER 13.00 or higher and HSPF 7.7 or higher.

† For coils not listed with a matching furnace or blower, coil rating applies with any indoor blower device.

- continued on next page -

COOLING & HEATING PERFORMANCE FOR COMBINATION RATINGS (continued)
Indoor Models

Outdoor Model	Current Indoor Model (‡ tested combo)	Furnace Model	Factory Installed	Cool 95° F (35° C)			SEER		Heat 47° F (8.3° C)		Heat 17° F (-8.3° F)		HSPF
				BTU/hr	S / T	EER	Factory	With Field TDR	BTU/hr	COP	BTU/hr	COP	
H2H360GHD	‡FEM2X60****	†	TDR&TXV	56,000	0.78	11.00	13.00		55,500	3.60	35,000	2.54	7.7
	EB*2X60J**	MV16J22**B*	TDR&TXV	55,000	0.78	11.00	13.00		55,000	3.54	34,200	2.52	7.8
	EB*2X60L**	MV20L24**B*	TDR&TXV	55,000	0.78	11.00	13.00		55,000	3.54	34,400	2.52	7.8
	ED*2X60J**	MV16J22**B*	TDR&TXV	55,000	0.78	11.00	13.00		55,000	3.54	34,200	2.52	7.8
	ED*2X60L**	MV20L24**B*	TDR&TXV	55,000	0.78	11.00	13.00		55,000	3.54	34,400	2.52	7.8
	EHD2X60A**	MV16J22**B*	TDR&TXV	55,500	0.78	11.00	13.00		56,500	3.64	34,200	2.54	7.8
	EHD2X60A**	MV20L24**B*	TDR&TXV	55,000	0.78	11.00	13.20		56,500	3.64	34,200	2.54	7.8
	FVM2X60****	†	TDR&TXV	55,500	0.78	11.00	13.20		55,500	3.62	34,400	2.54	7.8

ENERGY STAR (Light Commercial) compliance for combinations with both: SEER 13.00 or higher and HSPF 7.7 or higher.

† For coils not listed with a matching furnace or blower, coil rating applies with any indoor blower device.



This product has been designed and manufactured to meet ENERGY STAR criteria for energy efficiency when matched with appropriate coil components. However, proper refrigerant charge and proper air flow are critical to achieve rated capacity and efficiency. Installation of this product should follow the manufacturer's refrigerant charging and air flow instructions. Failure to confirm proper charge and airflow may reduce energy efficiency and shorten equipment life.

OUTDOOR UNIT MODEL NUMBER IDENTIFICATION GUIDE (3-phase)											
Digit Position:	1	2	3	4	5, 6	7	8	9	10	11	12
Example Part Number:	H	2	H	3	36	G	H	D	1	0	0
Product Family	REFRIGERANT 2 = R-22 4 = R-410A		TYPE A = Air Conditioner H = Heat Pump								
	NOMINAL EFFICIENCY 3 = 13 SEER 4 = 14 SEER										
	NOMINAL CAPACITY 36 = 36,000 BTUH = 3 tons 42 = 42,000 BTUH = 3½ tons 48 = 48,000 BTUH = 4 tons 60 = 60,000 BTUH = 5 tons										
	FEATURES A = Standard Grille G = Coil Guard Grille										
	VOLTAGE H = 208/230-3-60										
Sales Code											
Engineering Revision											
Extra Digit											
Extra Digit											

ACCESSORIES PART NUMBER IDENTIFICATION GUIDE									
Digit Position:	1	2	3	4	5	6, 7	8, 9	10, 11	
Example Part Number:	N	A	S	A	0	01	01	CH	
N = Non-Branded	BRANDING								
A = Accessory	PRODUCT GROUP								
S = Split System (AC & HP)	KIT USAGE								
A = Original B = 2nd Generation	MAJOR SERIES								
0 = Generic or Not Applicable									
2 = R-22 4 = R-410A	REFRIGERANT								
Product Identifier Number									
Package Quantity									
Type of Kit (Example: CH = Crankcase Heater)									