

**Part Number:
CPHSTART002A00**

**SMALL PACKAGED PRODUCTS
Gas Heating/Electric Cooling
Electric Heating/Electric Cooling,
and Heat Pump Units
1 – 1/2 to 5 Tons (50/60 Hz)
Accessory Compressor Start Kit**

Installation Instructions

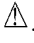
NOTE: Read and become familiar with all instructions before beginning installation.

SAFETY CONSIDERATIONS

Improper installation, adjustment, alteration, service maintenance, or use can cause explosion, fire, electrical shock, or other conditions which may cause death, personal injury, or property damage. Consult a qualified installer, service agency, or your distributor or branch for information or assistance. The qualified installer or agency must use factory-authorized kits or accessories when modifying this product. Refer to the individual instructions packaged with the kits or accessories when installing.

Follow all safety codes. Wear safety glasses, protective clothing, and work gloves. Have a fire extinguisher available. Read these instructions thoroughly and follow all warnings or cautions included in literature and attached to the unit. consult local building codes, the current editions of the National Fuel Gas Code (NFGC) NFPA 54/ANSI Z223.1, and the National Electrical Code (NEC) NFPA 70.

In Canada refer to the current editions of the National Standards of Canada CAN/CSA-B149.1 and .2 Natural Gas and Propane Installation codes, and Canadian Electrical Code CSA C22.1

Recognize safety information. This is the safety-alert symbol . When you see this symbol on the unit and in instructions or manuals, be alert to the potential for personal injury. Understand these signal words: DANGER, WARNING, and CAUTION. These words are used with the safety-alert symbol. DANGER identifies the most serious hazards which **will** result in severe personal injury or death. WARNING signifies hazards which **could** result in personal injury or death. CAUTION is used to identify unsafe practices which **may** result in minor personal injury or product and property damage. NOTE is used to highlight suggestions which **will** result in enhanced installation, reliability, or operation.

WARNING

FIRE, EXPLOSION, ELECTRICAL HAZARD

Failure to follow this warning could result in personal injury, death or property damage.

Before performing service or maintenance operations on unit, turn off main power switch to unit and tag. If gas unit, shut off gas supply and install lockout and tag before shutting off main power.

GENERAL

Refer to Table 1 for accessory compressor start kit contents.

Table 1 – Accessory Compressor Start Kit Contents

ITEM	QUANTITY
Start Thermistor	1
Mounting Bracket	1
No. 8 Screw	1
Yellow Wire 18–in. (457 mm)	1
Blue Wire 36–in. (914 mm)	1
Wire Ties	3

INSTALLATION

1. Disconnect gas supply (if unit is gas model), then all power to unit.
2. Remove the screws from the front access panels to the control box and blower and remove front access panels. Save screws.
3. Using the no. 8 screw provided in kit, attach the thermistor mounting bracket to the left side of the unit control box. See Fig. 1.
4. Attach the yellow wire and blue wire from kit to middle and end of thermistor. See Fig. 2.
5. Snap the thermistor into the bracket mounted in Step 3.
6. Connect the other end of the yellow wire from Step 4 to terminal 23 of the compressor contactor. See Fig. 2.
7. Connect the other end of the blue wire from Step 4 to terminal H of the compressor capacitor. See Fig. 2.
NOTE: Dress wires using wire ties in kit, as needed.
8. Replace front access panels using the screws removed in Step 2.
9. Restore power to unit (then gas supply if unit is a gas model).
10. Check unit operations.

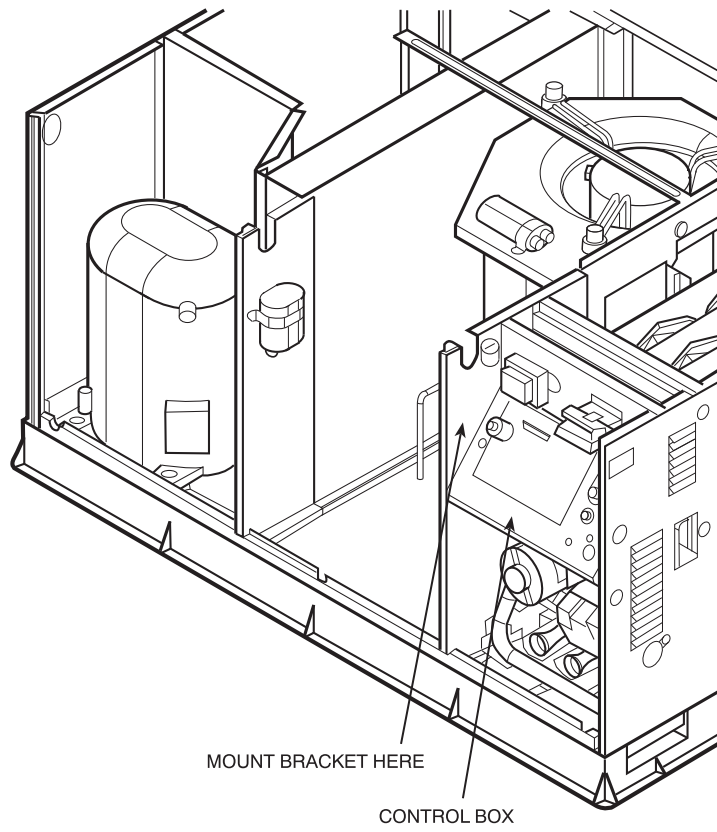


Fig. 1 - Thermistor Mounting Bracket Location (Gas Unit Shown)

A09138

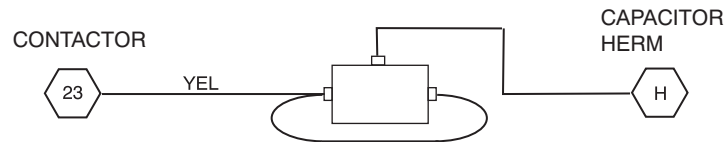


Fig. 2 - Typical Wiring

A09139