



PYMC Series

12 SEER PACKAGE HEAT PUMP SPECIFICATIONS

CONVERTIBLE SINGLE PACKAGE HEAT PUMP

FEATURES

SINGLE PACKAGE, 2 THRU 5 TON COOLING

- Single package heat pump, self contained with optional electric heat accessory for year round comfort. Systems installed on rooftop or ground level. The unit is shipped in the horizontal position and can easily be con-verted to downflow.

CONSTRUCTION

- 20 gauge galvanized-painted cabinet. One piece weather resistant top. Access panels for easy service. Side by side supply and return. Heavy gauge base with rails.

CABINET

- Triple-coated steel, consisting of a Polyester top coat, a urethane primer coat preceeded by an oxide pretreatment.

INDOOR BLOWER

- Standard direct systems.
- "No Difference" Design-Unit will operate at the same rated External Static Pressure in the down shot or horizontal duct position.
- Specially designed track enhances evaporator motor and blower serviceability.

IMPROVED INSULATION

- Dual density insulation improves temperature separation.

COPPER TUBE/ALUMINUM FIN COILS

- Enhanced aluminium fins mechanically bonded to copper tubes for improved heat transfer.

ELECTRICAL CONTROLS

- Located behind one exterior panel for easier maintenance.

EXTERNALLY-MOUNTED GAUGE PORTS

- Allows for more accurate reading of operating conditions while servicing. Internal ports are also provided for quicker charging and recovery.

INTEGRAL BASE RAILS

- Fork-lift access on three sides. Holes provided for lifting lugs makes rooftop installation easier.

ELECTRIC HEAT ACCESSORY

- 5 thru 30 KW

THERMOSTATIC EXPANSION VALVES

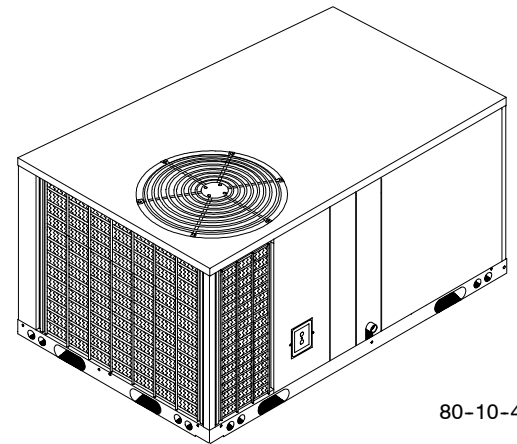
- Thermostatic expansion valves for heating and cooling refrigerant metering.

LOSS OF CHARGE PRESSURE SWITCH

- Low pressure switch on the high side to prevent system damage due to a loss of charge.

COIL GUARD

- Coil guard is standard on all models.



80-10-41



Rated in accordance with ARI Standard 210.

Listed By Underwriters' Laboratories

International Comfort Products
650 Heil-Quaker Ave.
Lewisburg, Tennessee 37091

518 56 1001 01
10/02

UNIT SPECIFICATIONS

MODEL NUMBER	Electrical Data				Condenser Data								
					Coil			Fan Motor			Fan		
	208 / 230 Voltage Ph. - Hz.	Time Delay Fuse Size	HACR Brkr / Max. Fuse	Ampacity	Total Face Area (Sq. Ft.)	Fins Per In. / Rows	Tube Dia. (In.)	Horsepower	Full Load Amps	Locked Rotor Amps	Size Diameter (In.)	RPM (Max.)	CFM (Max.)
PYMC24G	1-60	25 amps.	30 amps.	20.2	11.47	16 / 2	3/8	1/3	1.4	3.57	20.375	1155	2250
PYMC30G	1-60	30 amps.	35 amps.	23.0	11.47	16 / 2	3/8	1/3	1.4	3.57	20.375	1155	2250
PYMC36G	1-60	35 amps.	45 amps.	27.4	11.47	16 / 2	3/8	1/3	1.4	3.57	20.375	1135	2800
PYMC48G	1-60	40 amps.	50 amps.	31.4	17.20	16 / 2	3/8	1/3	1.7	5.00	22.0	1140	3340
PYMC48G	1-60	45 amps.	60 amps.	36.3	17.20	16 / 2	3/8	1/3	1.7	5.00	22.0	1140	3340
PYMC60G	1-60	60 amps	60 amps	43.7	17.20	16 / 2	3/8	3/4	2.6	9.52	22.0	1150	4100

MODEL NUMBER	Evaporator Coil										Compressor	Factory Refrigerant Charge R-22 Oz.	Shlp Weight (Lbs.)	
	Coil			Blower H.P. / Type / Speeds	Motor		Blower			Rated Load Amps				Locked Rotor Amps
	Total Face Area (Sq. Ft.)	Fins Per In. / Rows	Tube Diameter (In.)		Full Load Amps	Locked Rotor Amps	Type & Size	RPM (Maximum)	CFM Rated					
PYMC24G	3.56	14 / 3	3/8	1/3 / PSC / 4	2.6	4.00	DD10-8A	1100	800	12.9	62.5	120	394	
PYMC30G	3.56	14 / 4	3/8	1/3 / PSC / 4	2.6	4.00	DD10-8A	1100	1000	15.2	76	130	401	
PYMC36G	3.56	14 / 4	3/8	1/2 / PSC / 4	3.6	7.80	DD11-9A	1125	1200	17.9	90.5	135	410	
PYMC42G	8.20	14 / 3	3/8	1/2 / PSC / 4	4.0	7.09	DD10-8A	1100	1300	20.5	107.0	240	564	
PYMC48G	8.20	14 / 4	3/8	1 / PSC / 4	5.0	8.75	DD11-11A	1095	1600	23.7	129.0	265	624	
PYMC60G	8.20	14 / 4	3/8	1 / PSC / 4	5.0	8.75	DD11-11A	1095	2000	28.8	169.0	260	624	

PERFORMANCE DATA: COOLING

MODEL NUMBER	Rated Capacity ¹ BTUH Heating	Rated Capacity ² BTUH Cooling	S / T Ratio	HSPF	S.E.E.R.	E.E.R. ⁴	Power Input Watts	Evaporator Rated Airflow (SCFM)	Ext. Static Pressure Drop ³ Wet
PYMC24G	24,800	23,800	.75	6.85	12.5	10.90	2183	800	.25
PYMC30G	29,600	29,800	.75	7.20	12.4	10.55	2825	1000	.25
PYMC36G	37,000	35,200	.76	7.10	12.0	10.00	3520	1200	.30
PYMC42G	41,000	40,000	.76	7.05	12.0	9.95	4020	1300	.30
PYMC48G	43,500	47,500	.78	6.90	12.0	10.15	4679	1600	.30
PYMC60G	53,000	57,000	.78	6.80	12.05	9.75	5846	2000	.30

¹ Rated Capacity @ 47° F. ² Rated Capacity @ 230 Volts. For applications at 208 volts deduct 1000 BTU. Contact distributor for availability dates.

³ Includes a .08 drop for a filter. ⁴ For reference only.

PERFORMANCE DATA: ELECTRIC HEAT ACCESSORY

Heater Model	Use With	Supply Voltage	KW Rating	Total Heating BTUH	*Temperature Rise °F @ CFM								
					600	800	1000	1200	1400	1600	1800	2000	2200
AEB005BKA	PYMC24 - 60	240-1-60	5	17,065	26.3	19.8	15.8	13.2	11.3	---	---	---	---
AEB010CKA	PYMC24 - 60	240-1-60	10	34,130	52.7	39.5	31.6	26.3	22.6	19.8	17.8	15.8	14.4
AEB015BKA	PYMC24 & 30	240-1-60	15	51,195	---	59.3	47.4	39.5	33.9	---	---	---	---
AEB015CKA	PYMC36 - 60	240-1-60	15	51,195	---	---	---	39.5	33.9	29.6	26.3	23.7	21.5
AEB020CKA	PYMC36 - 60	240-1-60	20	68,260	---	---	---	52.6	45.1	39.5	35.1	31.6	28.7
AEB025CKA	PYMC48 & 60	240-1-60	25	85,325	---	---	---	---	---	49.4	43.9	39.5	35.9
AEB030CKA	PYMC48 & 60	240-1-60	30	102,390	---	---	---	---	---	59.3	52.7	47.4	43.1

* TEMPERATURE RISE MUST NOT EXCEED 60° F.

ELECTRICAL DATA: ELECTRIC HEAT ACCESSORY

Heater Model	Supply Voltage	KW Rating	Total Heating BTUH	Supply Circuit No.	Heater Amps	Minimum Circuit Ampacity	Maximum Overcurrent Protective Device (Amps)
AEB005BKA	240-1-60	5.0	17,065	L3 - L4	20.8	26.0	30
	208-1-60	3.8	12,969	L3 - L4	18.2	22.8	25
AEB010CKA	240-1-60	10.0	34,130	L3 - L4	41.7	52.5	60
	208-1-60	7.5	25,598	L3 - L4	36.1	45.1	50
AEB015BKA	240-1-60	15.0	51,195	L3 - L4 L5 - L6	41.7 20.8	52.5 26.0	60 30
	208-1-60	11.3	38,567	L3 - L4 L5 - L6	36.1 18.2	45.1 22.8	50 25
AEB015CKA	240-1-60	15.0	51,195	L3 - L4 L5 - L6	41.7 20.8	52.5 26.0	60 30
	208-1-60	11.3	38,567	L3 - L4 L5 - L6	36.1 18.2	45.1 22.8	50 25
AEB020CKA	240-1-60	20.0	68,260	L3 - L4 L5 - L6	41.7 41.7	52.5 52.5	60 60
	208-1-60	15.0	51,195	L3 - L4 L5 - L6	36.1 36.1	45.1 45.1	50 50
AEB025CKA	240-1-60	25.0	85,325	L3 - L4 L5 - L6 L7 - L8	41.7 41.7 20.8	52.5 52.5 26.0	60 60 30
	208-1-60	18.8	64,164	L3 - L4 L5 - L6 L7 - L8	36.1 36.1 18.2	45.1 45.1 22.8	50 50 25
AEB030CKA	240-1-60	30.0	102,390	L3 - L4 L5 - L6 L7 - L8	41.7 41.7 41.7	52.5 52.5 52.5	60 60 60
	208-1-60	22.5	76,793	L3 - L4 L5 - L6 L7 - L8	36.1 36.1 36.1	45.1 45.1 54.1	50 50 50

BLOWER PERFORMANCE DATA

Model	Motor Speed	Air Delivery in CFM External Static Pressure (In. W.C.)					
		.20	.30	.40	.50	.60	.70
PYMC24G	HI	1282	1243	1196	1142	1080	1010
	MD HI	1062	1041	1012	971	916	844
	MD LO	1007	987	957	917	864	796
	LO	816	801	780	749	707	653
PYMC30G	HI	1282	1243	1196	1142	1080	1010
	MD HI	1062	1041	1012	971	916	844
	MD LO	1007	987	957	917	864	796
	LO	**	**	**	**	**	**
PYMC36G	HI	1547	1489	1428	1363	1291	1211
	MD HI	1468	1416	1358	1295	1226	1148
	MD LO	1413	1364	1311	1252	1185	1109
	LO	1299	1255	1204	1147	1084	1015
PYMC42G	HI	1572	1524	1469	1406	1332	1245
	MD HI	1473	1433	1387	1333	1266	1186
	MD LO	1374	1342	1300	1248	1185	1112
	LO	1301	1273	1234	1184	1124	1054
PYMC48G	HI	2222	2165	2103	2037	1967	1891
	MD HI	2066	2019	1968	1912	1850	1784
	MD LO	1611	1591	1566	1535	1496	1449
	LO	1298	1281	1259	1233	1203	1171
PYMC60G	HI	2222	2165	2103	2037	1967	1891
	MD HI	2066	2019	1968	1912	1850	1784
	MD LO	1611	1591	1566	1535	1496	1449
	LO	1298	1281	1259	1233	1203	1171

Air delivery against shown external static pressures taken with 230V to unit, dry coil and largest available electric heater. For wet coil subtract approximately 25 CFM. Add .08 static for internal filters.

****NOTE: Do not operate PYMC30 on low speed setting.**

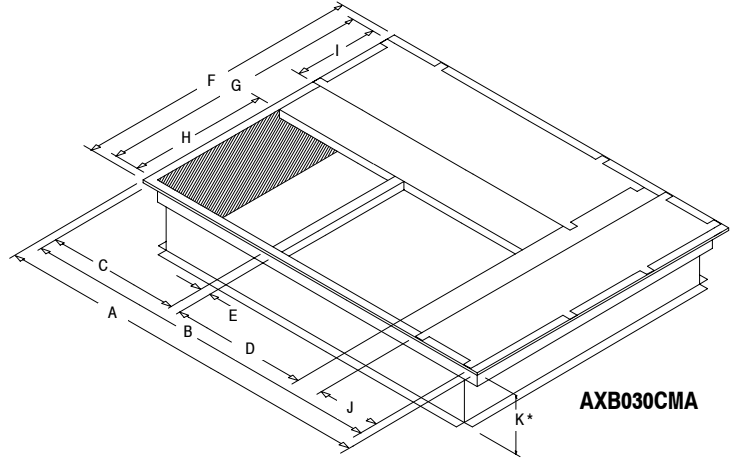
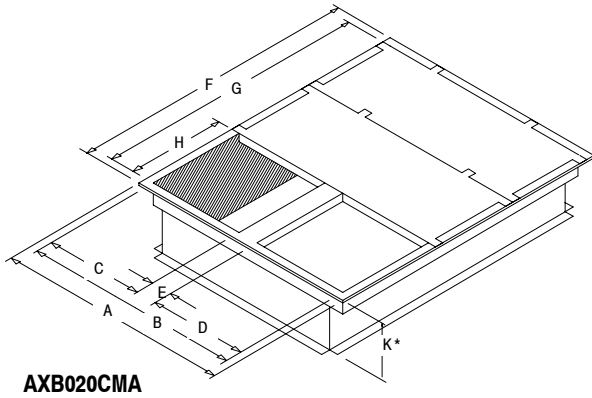
ACCESSORIES: ROOF CURBS AND ECONOMIZERS

These curbs are designed specifically for use with our single package air conditioners. They are constructed of heavy gauge steel and designed for water tight installation.

ROOF CURB DIMENSIONS (INCHES)

Model No.	Used With	A	B	C	D	E	F	G	H	I	J	K**
AXB020C_A	2 to 3 Ton	42-3/4	39-3/4	18	18	3-3/4	42-3/4	39-3/4	18	-	-	14
AXB030C_A	3-1/2 to 5 Ton	67-3/4	64-3/4	23	23	2-1/2	42-3/4	39-3/4	23	12	12	14

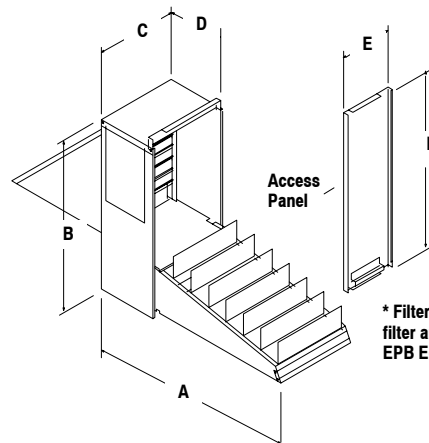
** ROOF CURBS ARE ALSO AVAILABLE IN 8" AND 24" HEIGHTS (K DIMENSIONS)



Description	Mainline Model Number	Used on
8"	AXB020CLA	2 to 3 Ton
	AXB030CLA	3-1/2 to 5 Ton
14"	AXB020CMA	2 to 3 Ton
	AXB030CMA	3-1/2 to 5 Ton
24"	AXB020CHA	2 to 3 Ton
	AXB030CHA	3-1/2 to 5 Ton

SLIDE IN ECONOMIZERS-DOWN DISCHARGE

- Provides outdoor air ventilation, automatic free cooling when favorable outside conditions exist, and pressure relief for proper air balance.
- Interconnecting wiring furnished
- 24 volt system
- Center mounted, dual action, dampers with gasketing ensure proper seal.
- Barometric pressure relief damper is standard.



* Filter access panel, filter rack and filter are included with AXB020EMB & EPB Economizers.

Description	Model Number	Used on
Fully Modulating ⁽¹⁾	AXB020EMB	2 to 3 Ton
Three Position ⁽¹⁾	AXB020EPB	2 to 3 Ton

⁽¹⁾ Filter Rack assembly and one 18" x 25" filter included.

* Indicates color change: A=Gray; B=Architectural Stone

Unit Model Number	Economizer Model No.	A	B	C	D	E	F
2 to 3 Ton	AXB20E_B	29	27-1/2	12-3/4	10-7/8	7-1/2	29
3-1/2 to 5 Ton	AXB30E_B	35	31	14-3/4	10-7/8	9-3/8	32-1/2

Description	Model Number	Used on
Fully Modulating ⁽²⁾	AXB030EMB	3-1/2 to 5 Ton
Three Position ⁽²⁾	AXB030EPB	3-1/2 to 5 Ton

⁽²⁾ Requires (2) 2" x 20" x 30" filters (field supplied).

ACCESSORIES (CONT...)

ECONOMIZERS-HORIZONTAL DISCHARGE

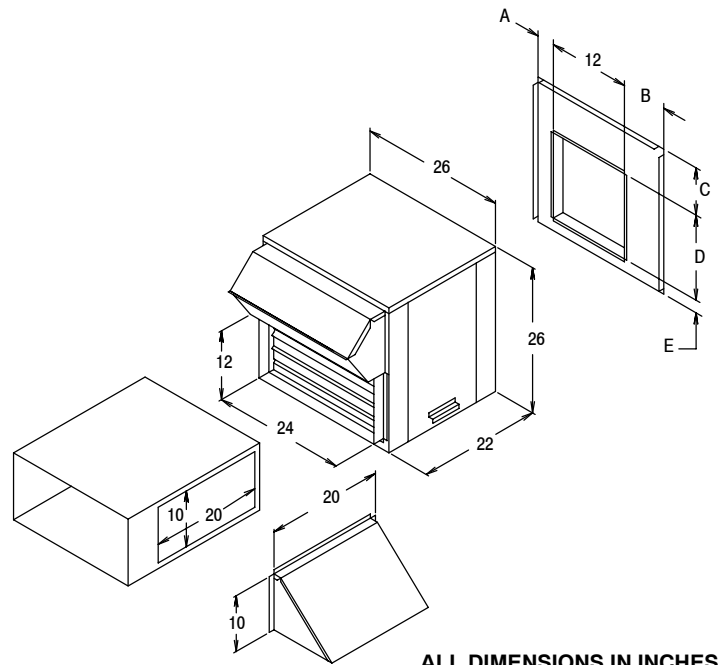
- Provides outdoor air ventilation, automatic free cooling when favorable outside conditions exist, and pressure relief for proper air balance.
- Interconnecting wiring and 18" x 25" air filter furnished.
- 24 volt system
- Center mounted, dual action, dampers with gasketing ensure proper seal.
- Barometric pressure relief damper is standard.

Description	Model Number	Used on
Fully Modulating ⁽¹⁾	AXB020HEB	2 to 3 Ton
Three Position ⁽¹⁾	AXB020HPB	2 to 3 Ton

⁽¹⁾ Air filters included.

Description	Model Number	Used on
Fully Modulating ⁽¹⁾	AXB030HEB	3-1/2 to 5 Ton
Three Position ⁽¹⁾	AXB030HPB	3-1/2 to 5 Ton

⁽¹⁾ Air filters included.



ALL DIMENSIONS IN INCHES

Unit Size	Economizer Model No.	A	B	C	D	E
2 to 3 Ton	AXB020H_B	5	8-3/4	8-1/2	14-1/4	3
3-1/2 to 5 Ton	AXB030H_B	9-3/4	4	6	18-3/4	1

OUTDOOR AIR DAMPERS

Description	Model Number	Used on
Manual - 25%	AXB020FAB	2 to 3 Ton
	AXB030FAB	3-1/2 to 5 Ton
Motorized - 25%	AXB020FMB	2 to 3 Ton
	AXB030FMB	3-1/2 to 5 Ton

COIL PROTECTION

Description	Model Number	Used on
Hail Guard	AXB020HGB	2 to 3 Ton
	AXB030HGB	3-1/2 to 5 Ton

FILTER RACK - DOWNFLOW

Description	Model Number	Used on
* Filter Rack, Return Air	AXB020FKA	2 to 3 Ton

FILTER RACK - HORIZONTAL

Description	Model Number	Used on
* Filter Rack, Return Air	AXB020FHB	2 to 3 Ton

*Must use with outdoor air dampers. Includes 18" x 25" filter.

CONCENTRIC DUCT KITS

Description	Mainline Model Number	Used on
Transition	AXB020CTA	2 to 3 Ton
	AXB030CTA	3-1/2 to 5 Ton
Grille, Flush Mount *	AXB020CFA	2 to 3 Ton
Grille, Step Down *	AXB020CSA	2 to 3 Ton
Grille, Flush Mount *	AXB030CFA	3-1/2 to 5 Ton
Grille, Step Down *	AXB030CSA	3-1/2 to 5 Ton

* Includes grille and diffuser / transition box.

LOW AMBIENT CONTROLS

Description	Service Parts Number	Used on
To 0° F	1148232*	2 to 3 Ton
To 0° F	1148233*	3-1/2 to 5 Ton

*Available through Service Parts only.

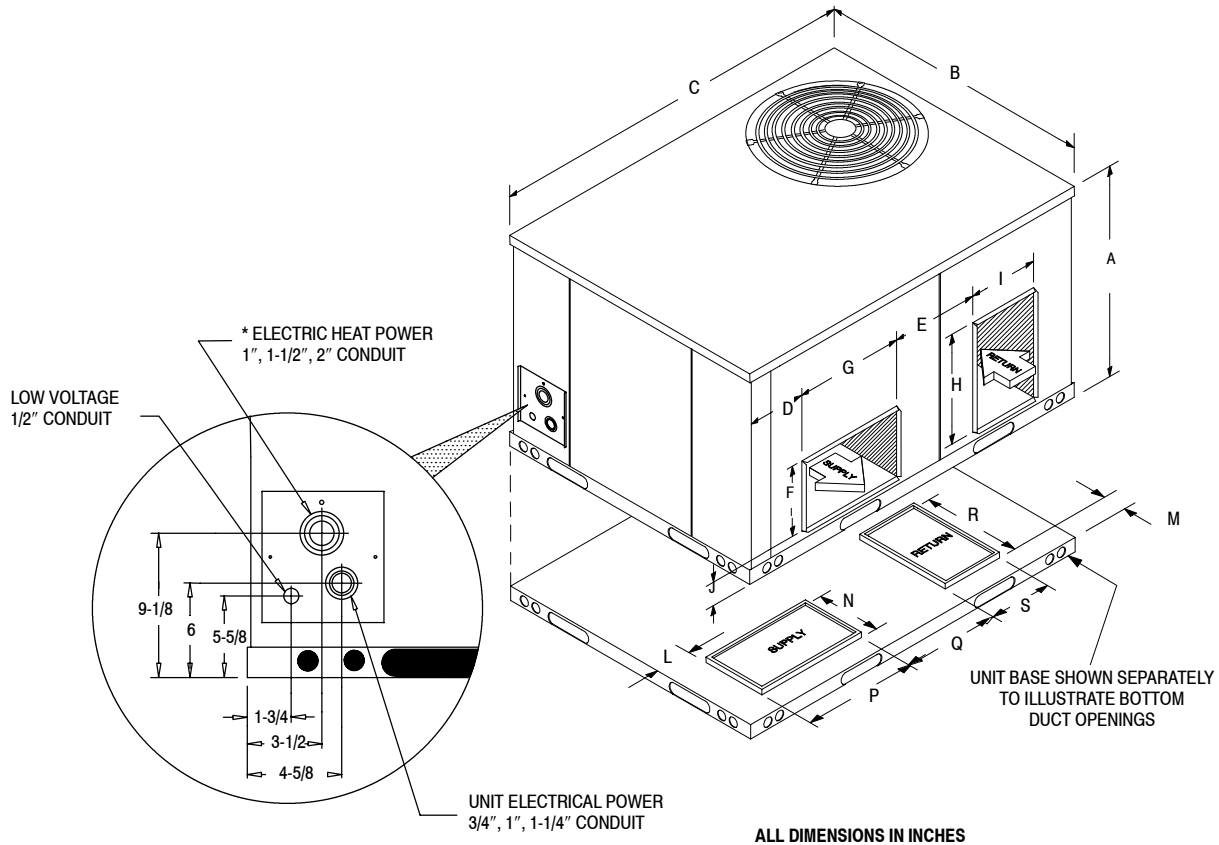
OUTDOOR THERMOSTAT

Description	Model Number	Used on
Outdoor Thermostat (Two-Stage)	AMA001OTB	Electric Heat Accessory 15 KW and Above
Outdoor Thermostat (Four-Stage)	AMA002OTB	Electric Heat Accessory 25 KW and 30 KW

MODEL NUMBER IDENTIFICATION GUIDE

MODEL NUMBER	P	Y	M	C	24	G	A
PRODUCT FAMILY P = Single Package							SALES CODE
UNIT TYPE G = Gas/Electric A = Cooling Y = Heat Pump							ELECTRICAL CHARACTERISTICS G = 208 / 230 -1-60
UNIT SERIES M = Convertible Single Package Unit							COOLING CAPACITY (NOMINAL BTUH) 24 = 2 Ton 42 = 3-1/2 Ton 30 = 2-1/2 Ton 47 = 4 Ton 36 = 3 Ton 60 = 5 Ton
RESIDENTIAL UNIT INDICATOR D = Ultra-High Efficiency							

UNIT DIMENSIONS



* NOTE: The base rail width is 2-1/8 inches. The bottom dimensions inside the base rails are shown in Bottom L x W column.

Unit Size	A	B	C	D	E	F	G	H	I	J	K	L	M	N**	P**	Q	R	S	Bottom L x W* Inside Base Rail
2 to 3 Ton	32-1/2	47-3/8	47-3/8	3-1/8	11-1/8	12	14-1/4	14-1/4	12	4	*	4-1/4	4-3/8	14-1/2	12-1/4	12-1/8	14-1/4	12-1/4	43-1/8 x 43-1/8
3-1/2 to 5 Ton	36	47-3/8	73	4-5/8	15	12	18-3/4	18-3/4	12	4	*	4-1/4	5-1/4	12-1/4	19	15	19	12-1/4	68-3/4 x 43-1/8

** The supply opening in the drawing is shown for the orientation in the 3-1/2 to 5 Ton units. The opening for the 2 to 3 Ton units is rotated 90°, so the N and P dimensions are correct.