



N4A3

Performance Series Product Specifications

EFFICIENT 13 SEER AIR CONDITIONER ENVIRONMENTALLY BALANCED R-410A REFRIGERANT 1- 1/2 THRU 5 TONS SPLIT SYSTEM 208/230 Volt, 1-phase, 60 Hz

REFRIGERATION CIRCUIT

- Scroll compressors on all models
- Filter-Drier supplied with every unit for field installation
- Copper tube / aluminum fin coil

EASY TO INSTALL AND SERVICE

- Easy Access service valves on all models
- External high and low refrigerant service ports
- Only two screws to access control panel
- Factory charged with R- 410A refrigerant

BUILT TO LAST

- Baked- on powder coat finish over galvanized steel
- Post- painted (black) coil fins
- Coated, weather- resistant cabinet screws
- Coated inlet grille with 2" (51mm) spacing standard, alternate models available with 3/8" (10mm) grille spacing for extra protection (hail guard)

LIMITED WARRANTY*

- 5 year compressor limited warranty
- 5 year parts limited warranty (including compressor and coil)
 - With timely registration, an additional 5 year parts limited warranty (including compressor and coil)
- * For owner occupied, residential applications only. See warranty certificate for complete details and restrictions, including warranty coverage for other applications.



Use of the AHRI Certified TM Mark indicates a manufacturer's participation in the program. For verification of certification for individual products, go to www.ahridirectory.org.



Model Number	Size (tons)	Nominal BTU/hr	Min. Circuit Ampacity	Max. Fuse or Breaker	Operating Dimensions height x width/depth in. (mm)	Ship / Operating Weight lbs. (kg)
N4A318*KF	1- 1/2	18,000	11.8	20	25- 5/16 x 23- 1/8 (643 x 587)	130 / 107 (59 / 49)
N4A324*KG	2	24,000	14.3	25	25- 5/16 x 23- 1/8 (643 x 587)	127 / 107 (58 / 49)
N4A330*KG	2- 1/2	30,000	16.6	25	28- 11/16 x 25- 3/4 (729 x 654)	149 / 126 (68 / 57)
N4A336*KF	3	36,000	18.1	30	25- 5/16 x 31- 3/16 (642 x 792)	151 / 134 (68 / 61)
N4A342*KN	3- 1/2	42,000	23.5	40	32- 5/16 x 31- 3/16 (821 x 792)	218 / 190 (99 / 86)
N4A348*KG	4	48,000	24.3	40	35- 1/2 x 31- 3/16 (901 x 792)	205 / 175 (93 / 79)
N4A360*KN	5	60,000	29.0	50	28- 11/16 x 31- 3/16 (729 x 792)	232 / 199 (106 / 91)

* **A** = 2" (51mm) spacing inlet grille or
G = 3/8" (10mm) spacing inlet grille

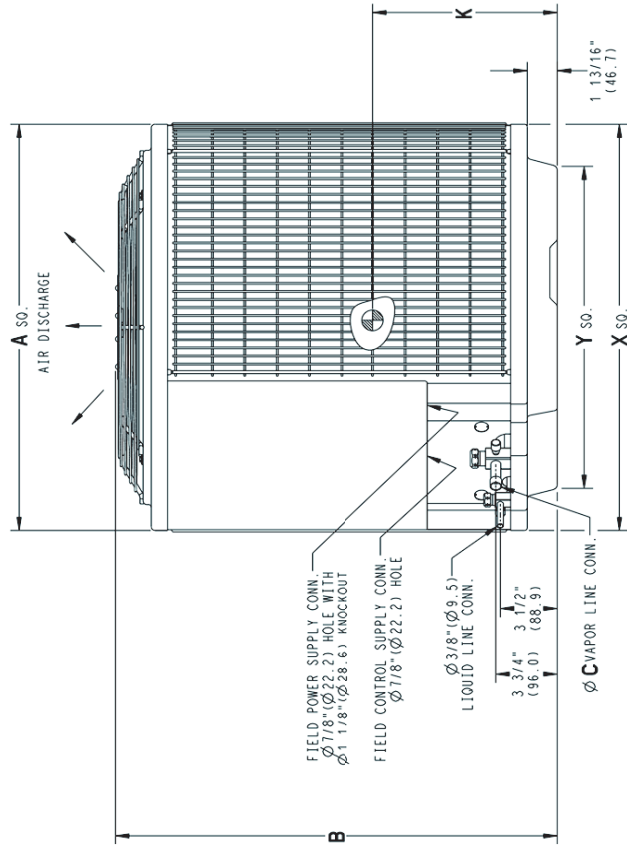
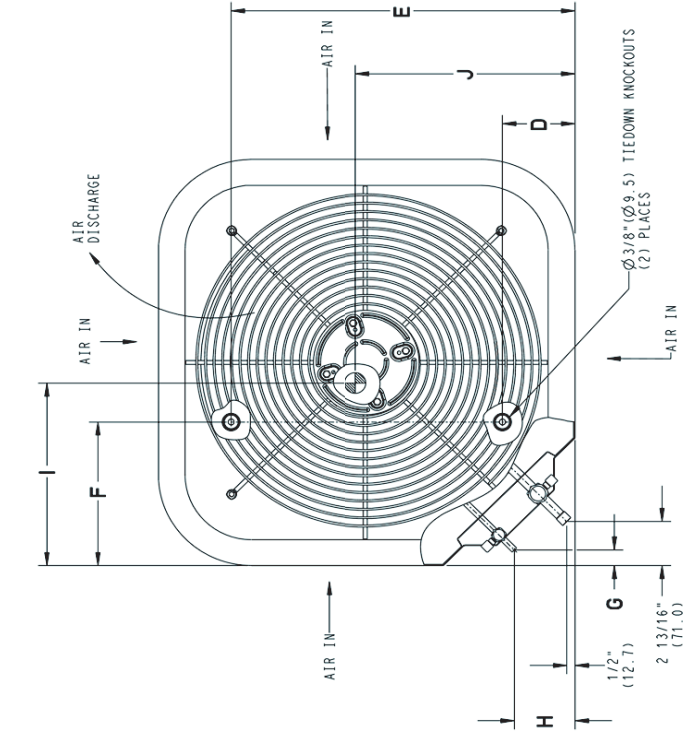
OUTDOOR UNIT MODEL NUMBER IDENTIFICATION GUIDE											
Digit Position:	1	2	3	4	5, 6	7	8	9	10	11	12
Example Part Number:	N	4	A	3	24	A	K	N	1	0	0
C = Day & Night Mainline											
N = Day & Night Entry		BRANDING									
4 = R- 410A		REFRIGERANT									
A = Air Conditioner											
H = Heat Pump				TYPE							
3 = 13 SEER											
4 = 14 SEER				NOMINAL EFFICIENCY							
18 = 18,000 BTUH = 1- 1/2 tons											
24 = 24,000 BTUH = 2 tons											
30 = 30,000 BTUH = 2- 1/2 tons											
36 = 36,000 BTUH = 3 tons											
42 = 42,000 BTUH = 3- 1/2 tons											
48 = 48,000 BTUH = 4 tons											
60 = 60,000 BTUH = 5 tons				NOMINAL CAPACITY							
A = Standard Grille											
G = Coil Guard Grille											
C = Coastal										FEATURES	
K = 208/230- 1- 60										VOLTAGE	
Sales Code											
Engineering Revision											
Extra Digit											
Extra Digit											

ACCESSORIES PART NUMBER IDENTIFICATION GUIDE									
Digit Position:	1	2	3	4	5	6, 7	8, 9	10, 11	
Example Part Number:	N	A	S	A	0	01	01	CH	
N = Non- Branded		BRANDING							
A = Accessory		PRODUCT GROUP							
S = Split System (AC & HP)				KIT USAGE					
A = Original									
B = 2nd Generation				MAJOR SERIES					
0 = Generic or Not Applicable									
2 = R- 22									
4 = R- 410A						REFRIGERANT			
Product Identifier Number									
Package Quantity									
Type of Kit (Example: CH = Crankcase Heater)									

UNIT	SERIES	ELECTRICAL CHARACTERISTICS	A		B		C		D		E		F		G		H		I		J		K		OPERATING WEIGHT		SHIPPING WEIGHT (S.R.)		SHIPPING LENGTH / WIDTH		SHIPPING HEIGHT											
			INCH	MM	INCH	MM	INCH	MM	INCH	MM	INCH	MM	INCH	MM	INCH	MM	INCH	MM	INCH	MM	INCH	MM	INCH	MM	INCH	MM	INCH	MM	INCH	MM	INCH	MM										
NAA318(A)GKFE	1	Y	23	1/8	587.3	25	5/16	642.9	3/4	19.1	4	7/16	113.0	18	1/16	459.0	7	13/16	197.9	5/16	7.9	3	76.2	16	1/2	419.1	15	381.0	12	304.8	107	48.5	130	59.0	25	1/4	641.5	29	3/4	755.8		
NAA324(A)GKGG	1	Y	23	1/8	597.3	25	5/16	642.9	3/4	19.1	4	7/16	113.0	18	1/16	459.0	7	13/16	197.9	5/16	7.9	3	76.2	12	1/2	317.5	11	279.4	12	304.8	107	48.5	127	57.6	25	1/4	641.5	29	3/4	755.8		
NAA330(A)GKGG	1	Y	25	3/4	654.0	28	11/16	728.7	3/4	19.1	4	7/16	113.0	21	1/4	539.9	8	1/8	231.3	5/16	7.9	3	76.2	14	1/2	369.3	15	1/2	383.7	12	1/2	317.5	128	57.2	149	67.6	27	7/8	708.2	33	3/16	843.1
NAA330(G)HCC	2	Y	23	1/8	597.3	25	11/16	728.7	3/4	19.1	4	7/16	113.0	18	1/16	459.0	7	13/16	197.9	5/16	7.9	3	76.2	16	1/2	419.1	15	381.0	14	355.6	111	50.3	136	61.7	25	1/4	641.5	33	3/16	843.1		
NAA339(A)GKFE	1	Y	25	3/4	654.0	28	5/16	642.9	7/8	22.2	6	9/16	166.1	24	1/16	626.3	9	1/8	231.3	5/16	7.9	3	76.2	15	8/16	395.9	16	1/2	419.1	10	1/4	260.4	134	60.8	151	68.5	33	5/16	846.6	29	3/4	755.8
NAA339(S)HLNVR	3	Y	25	3/4	654.0	28	1/16	815.1	7/8	22.2	6	9/16	166.1	24	1/16	626.3	9	1/8	231.3	5/16	7.9	3	76.2	14	1/4	362.0	10	1/2	268.7	16	408.4	141	64.0	170	77.1	27	7/8	708.2	36	5/8	829.5	
NAA342(A)GKHLV	1	Y	31	3/16	792.5	32	1/16	815.1	7/8	22.2	6	9/16	166.1	24	1/16	626.3	9	1/8	231.3	5/16	7.9	3	76.2	15	3/4	403.1	18	1/4	412.8	13	3/4	349.3	180	81.6	208	94.3	33	5/16	846.6	36	5/8	829.5
NAA342(G)HLV	3	Y	31	3/16	792.5	32	1/16	815.1	7/8	22.2	6	9/16	166.1	24	1/16	626.3	9	1/8	231.3	5/16	7.9	3	76.2	15	3/4	403.1	18	1/4	412.8	13	3/4	349.3	180	81.6	208	94.3	33	5/16	846.6	36	5/8	829.5
NAA348(A)GKHLV	1	Y	31	3/16	792.5	32	1/2	801.4	7/8	22.2	6	9/16	166.1	24	1/16	626.3	9	1/8	231.3	5/16	7.9	3	76.2	14	3/4	374.7	15	3/8	360.5	15	381.0	186	84.4	224	101.6	35	5/16	846.6	40	101.6	1015.9	
NAA348(S)HLNVR	2	Y	31	3/16	792.5	32	1/16	728.7	7/8	22.2	6	9/16	166.1	24	1/16	626.3	9	1/8	231.3	5/16	7.9	3	76.2	16	408.4	15	1/2	395.7	12	3/4	323.9	189	80.3	232	109.2	35	5/16	846.6	38	3/16	843.1	
NAA380(G)HLNVR	3	Y	31	3/16	792.5	32	1/16	728.7	7/8	22.2	6	9/16	166.1	24	1/16	626.3	9	1/8	231.3	5/16	7.9	3	76.2	16	408.4	15	1/2	395.7	12	3/4	323.9	189	89.8	230	104.3	35	5/16	846.6	39	3/16	843.1	

Y=YES
N=NO

NOTES:
1. ALLOW 24" (609.6) CLEARANCE TO SERVICE SIDE OF UNIT, 48" (1219.2) ABOVE UNIT, 6" (152.4) ON ONE SIDE, 12" (304.8) ON REMAINING SIDE, AND 24" (609.6) BETWEEN UNITS FOR PROPER AIRFLOW.



U.S. EXPORT CLASSIFICATION: EAR99

NOTE: ALL DIMENSIONS IN INCH (MM)

UNIT SIZE	"X"		"Y"			
	MINIMUM GROUND MOUNTING PAD APPLICATION DIMENSIONS	MINIMUM ROOF-TOP MOUNTING PAD APPLICATION DIMENSIONS	MINIMUM GROUND MOUNTING PAD APPLICATION DIMENSIONS	MINIMUM ROOF-TOP MOUNTING PAD APPLICATION DIMENSIONS		
18, 24, 30 (36)	23	1/8	587.3	17	7/8	454.6
30 (36), 36 (36)	25	3/4	654.0	20	7/16	518.5
36 (42), 42, 48, 60	31	3/16	792.5	22	15/16	563.2
-	35	-	889.0	26	3/4	679.7

PHYSICAL DATA (1-phase)							
Model Size	18	24	30	36	42	48	60
Nominal Cooling Capacity (BTU/hr)	18,000	24,000	30,000	36,000	42,000	48,000	60,000
Nominal SEER	13.0	13.0	13.0	13.0	13.0	13.0	13.0
PSC Fan Motor HP	1/12	1/10	1/10	1/5	1/5	1/4	1/4
Fan RPM (single speed)	1100	1100	1100	1100	1100	1100	800
Fan CFM	1792	2218	2169	3167	3167	3365	3365
Coil Face Area ft ² (m ²)	8.40(.78)	8.40(.78)	11.49(1.1)	12.93(1.2)	17.25(1.6)	19.40(1.8)	12.93(1.2)
Coil Rows - fins per inch	1 - 20	1 - 25	1 - 25	1 - 25	1 - 25	1 - 25	2 - 20
Circuits	3	3	3	5	4	5	6
Liquid Line Connection Size in. (mm)	3/8 (10)	3/8 (10)	3/8 (10)	3/8 (10)	3/8 (10)	3/8 (10)	3/8 (10)
Vapor Line Connection Size in. (mm)	3/4 (19)	3/4 (19)	3/4 (19)	7/8 (22)	7/8 (22)	7/8 (22)	1-1/8 (22)
Rated Line Set Liquid Tube Diameter in. (mm)	3/8 (10)	3/8 (10)	3/8 (10)	3/8 (10)	3/8 (10)	3/8 (10)	3/8 (10)
Rated Line Set Vapor Tube Diameter in. (mm)	3/4 (19)*	3/4 (19)*	3/4 (19)*	7/8 (22)*	7/8 (22)*	7/8 (22)*	1-1/8 (28.6)*
Factory Charge R- 410A lbs. (kg)	3.15 (1.43)	3.15 (1.43)	4.62 (2.10)	4.95 (2.25)	5.84 (2.65)	8.87 (4.02)	8.19 (3.71)
Required Subcooling ° F (° C)	14 (7.8)	10 (5.6)	10 (5.6)	11 (6.1)	10 (5.6)	13 (7.2)	15 (8.3)

* Units are rated with 25 ft (7.6 m) of lineset length. See Vapor Line Sizing and Cooling Capacity Loss table when using other sizes and lengths of lineset. **Note:** See unit Installation Instruction for proper installation.

Check the piston size shipped with the indoor unit to see if it matches the required indoor piston size. If it does not match, replace the indoor piston with the correct size per the table below.

Outdoor Unit Connected to a Factory Approved Indoor Unit (with FEM4P* Fan Coil)						
Outdoor Unit Size - Series	18- F	24- G	30- G	36- F	42- N	48- G
Piston Size by Outdoor	49	55	61	-	73	78

NOTE: Pistons shipped with outdoor units are only qualified and approved with the above listed fan coils. The piston included with the FMA4P* and FM(C,U)4P* fan coils are unique to those products and CANNOT be replaced with the piston shipped with the outdoor unit. Refer to AHRI Directory to check if your combination can use a piston or requires an accessory TXV.

ELECTRICAL DATA (208/230-1-60, voltage range 197V - 253V)							
Model Size	18	24	30	36	42	48	60
Minimum Circuit Ampacity - MCA (amps)	11.8	14.3	16.6	18.1	23.5	24.3	29.0
Maximum OverCurrent Protective device - MOCP (amps)	20	25	25	30	40	40	50
Compressor RLA (Rated Load Amps)	9.0	10.9	12.8	13.6	17.9	18.3	22.1
LRA (Locked Rotor Amps)	47.5	62.9	67.8	79.0	112.0	93.0	125.0
Fan Motor FLA (Full Load Amps)	0.5	0.7	0.6	1.1	1.1	1.4	1.4

**Sound Rating tested in accordance with AHRI Standard 270- 2008 (not listed with AHRI).

A-Weighted Sound Power Level - Without Sound Shield								
Model	Standard Rating (dBA)	TYPICAL OCTAVE BAND SPECTRUM (without tone adjustment)						
		125	250	500	1000	2000	4000	8000
18- F	71	64.0	62.0	63.0	68.0	64.0	62.0	57.0
24- G	74	50.9	60.6	66.4	71.0	65.5	61.1	59.2
30- G	72	54.8	59.3	65.1	68.2	66.4	61.6	57.3
36- F	75	50.5	61.0	64.5	67.0	62.5	60.0	52.5
42- N	78	57.5	65.0	71.0	73.0	70.5	67.5	62.5
48- G	76	55.5	62.9	69.6	71.2	69.5	66.3	59.1
60- N	79	57.5	67.0	72.0	75.0	72.5	68.0	61.0

Note: Tested in accordance with AHRI Standard 270-2008 (not listed in AHRI).

A-Weighted Sound Power Level - With Sound Shield								
Model	Standard Rating (dBA)	TYPICAL OCTAVE BAND SPECTRUM (without tone adjustment)						
		125	250	500	1000	2000	4000	8000
18- F	70	66.0	64.0	64.0	67.0	63.0	60.0	54.0
24- G	74	51.1	61.3	66.6	71.2	65.0	60.0	55.6
30- G	72	51.9	59.3	64.8	67.3	65.2	61.1	54.8
36- F	75	51.0	62.0	64.5	65.5	62.0	59.5	51.5
42- N	77	57.5	65.0	70.5	72.0	70.0	67.0	62.0
48- G	75	55.8	62.6	69.7	70.6	68.7	65.4	58.6
60- N	79	57.5	68.0	72.5	74.5	72.5	68.0	60.5

Note: Tested in accordance with AHRI Standard 270-2008 (not listed in AHRI).

REFRIGERANT CHARGE ADJUSTMENTS

Liquid Line Size	R- 410A Charge oz/ft
3/8	0.60 (Factory charge for lineset = 9 oz)
5/16	0.40
1/4	0.27

Units are factory charged for 15 ft (4.6 m) of 3/8" liquid line. The factory charge for 3/8" lineset 9 oz. When using other length or diameter liquid lines, charge adjustments are required per the chart above.

Charging Formula:

$[(\text{Lineset oz/ft} \times \text{total length}) - (\text{factory charge for lineset})] = \text{charge adjustment}$

Example 1: System has 15 ft of line set using existing 1/4" liquid line. What charge adjustment is required?

Formula: $(.27 \text{ oz/ft} \times 15\text{ft}) - (9 \text{ oz}) = (-4.95) \text{ oz.}$

Net result is to remove 4.95 oz of refrigerant from the system

Example 2: System has 45 ft of existing 5/16" liquid line. What is the charge adjustment?

Formula: $(.40 \text{ oz/ft.} \times 45\text{ft.}) - (9 \text{ oz.}) = 9 \text{ oz.}$

Net result is to add 9 oz of refrigerant to the system

LONG LINE APPLICATIONS

An application is considered Long Line, when the refrigerant level in the system requires the use of accessories to maintain acceptable refrigerant management for systems reliability. See Accessory Usage Guideline table for required accessories. Defining a system as long line depends on the liquid line diameter, actual length of the tubing, and vertical separation between the indoor and outdoor units.

For Air Conditioner systems, the charts below shows when an application requires a TXV and long line accessories due to lineset length.

AC with R-410A Refrigerant Long Line Description ft (m) Beyond these lengths, a TXV is required

Total Length	Outdoor Unit Above or Below Indoor Unit
TXV required beyond 50 ft. (15.2 m)	TXV required beyond 20 ft. (6.1 m)

AC with R-410A Refrigerant Long Line Description ft (m) (Beyond these lengths, long line accessories are required)

Liquid Line Size	Units On Same Level	Outdoor Below Indoor	Outdoor Above Indoor
1/4 + TXV	No accessories needed within allowed lengths	No accessories needed within allowed lengths	175 (53.3)
5/16 + TXV	120 (36.6)	50 (15.2) vertical or 120 (36.6) total	120 (36.6)
3/8 + TXV	80 (24.4)	35 (10.7) vertical or 80 (24.4) total	80 (24.4)

Note: See Long Line Guideline for details

R-410A COOLING CAPACITY LOSS FOR VARIOUS LINE LENGTHS & TUBE DIAMETERS															
Model Size	Liquid Line in. (mm)	Acceptable Vapor Line Sizes in. (mm)	Cooling Capacity Loss (%) at Total Equivalent Line Length, feet (m) Refer to Long Line Application Guideline to calculate equivalent length												
			Standard Application			Long Line Application (Requires Accessories)									
			25' (7.6)	50' (15.2)	80' (24.4)	81' (24.7)	100' (30.5)	125' (38.1)	150' (45.7)	175' (53.3)	200' (61)	225' (68.6)	250' (76.2)		
18	3/8 (10)	1/2 (13)	1	2	3	3	4	6	7	8	9	10	12		
		5/8 (16)	0	0	1	1	1	1	2	2	3	3	3		
		3/4 (19)	0	0	0	0	0	1	1	1	1	1	1		
24	3/8 (10)	5/8 (16)	0	1	1	1	2	3	3	4	4	5	6		
		3/4 (19)	0	0	0	0	0	1	1	1	1	1	2		
		7/8 (22)	0	0	0	0	0	0	0	0	0	0	1		
30	3/8 (10)	5/8 (16)	1	2	3	3	3	4	5	6	7	8	9		
		3/4 (19)	0	0	1	1	1	1	2	2	2	3	3		
		7/8 (22)	0	0	0	0	0	1	1	1	1	1	1		
36	3/8 (10)	5/8 (16)	1	2	4	4	5	6	7	9	10	11	13		
		3/4 (19)	0	0	1	1	1	2	2	3	3	4	4		
		7/8 (22)	0	0	0	0	0	1	1	1	1	2	2		
42	3/8 (10)	3/4 (19)	0	1	2	2	2	3	4	4	5	6	6		
		7/8 (22)	0	0	1	1	1	1	2	2	2	3	3		
		1- 1/8 (29)	0	0	0	0	0	0	0	0	0	0	1		
48	3/8 (10)	3/4 (19)	0	1	2	2	3	4	5	5	6	7	8		
		7/8 (22)	0	0	1	1	1	2	2	2	3	3	4		
		1- 1/8 (29)	0	0	0	0	0	0	0	0	1	1	1		
60	3/8 (10)	3/4 (19)	1	2	4	4	5	6	7	9	10	11	12		
		7/8 (22)	0	1	2	2	2	3	4	4	5	5	6		
		1- 1/8 (29)	0	0	0	0	1	1	1	1	1	1	2		

Consult the Long Line Application Guideline document before purchasing/installing line sets.

Applications in shaded area may have height restrictions that limit allowable total equivalent length when outdoor unit is below indoor unit.

COOLING PERFORMANCE FOR COMBINATION RATINGS Indoor Models								
For complete ratings information, use the AHRI website directory search: www.AHRIdirectory.org . New ratings may be listed online before Specification Sheets are updated.								
Unit Size Series	Indoor Model	Furnace Model	AHRI Standard Ratings					
			Cooling 95° F (35° C)					
			Capacity	Factory Installed	SEER			EER
Standard	W/ Field TDR	Piston						
N4A318*KF	EN(A,D)4X24L14**		17,800	TXV		13.00		11.00
N4A324*KG	EN(A,D)4X24L14**		23,000	TXV		13.00		11.00
N4A330*KG	EN(A,D)4X31L17**		27,800	TXV		13.00		11.00
N4A336*KF	EA*4X37L21A*		34,200	TXV		13.00		11.00
N4A342*KN	EA*4X42L21A*		41,000	TXV		13.00		11.00
N4A348*KG	EA*4X48L17A*		44,500	TXV		13.00		11.00
N4A360*KN	EA*4X60L24A*		57,500	TXV		13.00		11.00

* A = 2" (51mm) spacing inlet grille, G = 3/8" (10mm) spacing inlet grille

TESTED AHRI COMBINATION RATINGS*

NOTE: Ratings contained in this document are subject to change at any time.

For AHRI ratings certificates, please refer to the AHRI directory. www.ahridirectory.org

Additional ratings and system combinations can be accessed via the Day and Night database:

<http://www.icpeqp.com/AHRIratings/ratings.aspx?Brand=DayAndNight>

Or scan this QR code:



COOLING PERFORMANCE RATINGS For Outdoor / Indoor Models

For complete ratings information, use the AHRI website directory search: www.AHRIdirectory.org.
New ratings may be listed online before Specification Sheets are updated.

EVAPORATOR AIR		CONDENSER ENTERING AIR TEMPERATURES deg F														
		75		Total System KW	85		Total System KW	95		Total System KW	105		Total System KW	115		Total System KW
		Capacity MBtuh			Capacity MBtuh			Capacity MBtuh			Capacity MBtuh					
CFM	EWB	Total	Sens	Total	Sens	Total	Sens	Total	Sens	Total	Sens	Total	Sens	Total	Sens	
N4A318(A,G)KF* Series Outdoor Section With EN*4X24L14A* Indoor Section																
525	57	17.47	17.47	1.30	16.77	16.77	1.44	16.08	16.08	1.60	15.34	15.34	1.79	14.56	14.56	2.02
	62	17.76	16.72	1.29	16.97	16.34	1.44	16.16	15.93	1.60	15.36	15.36	1.79	14.58	14.58	2.02
	63	18.04	16.20	1.29	17.23	15.83	1.44	16.39	15.44	1.60	15.49	15.02	1.79	14.60	14.56	2.02
	67	19.33	14.06	1.28	18.52	13.17	1.43	17.62	13.36	1.60	16.64	12.96	1.79	15.65	12.56	2.02
	72	21.21	11.38	1.27	20.31	11.05	1.42	19.41	10.71	1.59	18.37	10.33	1.78	17.33	9.96	2.02
600	57	18.12	18.12	1.32	17.44	17.44	1.47	16.72	16.72	1.63	15.93	15.93	1.82	15.12	15.12	2.05
	62	18.19	18.01	1.32	17.54	17.28	1.46	16.74	16.74	1.63	15.96	15.96	1.82	15.14	15.14	2.05
	63	18.40	17.43	1.32	17.61	17.05	1.46	16.77	16.64	1.63	15.96	15.96	1.82	15.14	15.14	2.05
	67	19.17	15.05	1.31	18.81	14.68	1.46	17.90	14.32	1.63	16.89	13.92	1.82	15.88	13.52	2.05
	72	21.47	11.95	1.30	20.62	11.65	1.45	19.68	11.30	1.62	18.64	10.93	1.81	17.55	10.55	2.05
675	57	18.70	18.70	1.34	18.00	18.00	1.49	17.24	17.24	1.66	16.41	16.41	1.85	15.57	15.57	2.08
	62	18.71	18.71	1.34	18.02	18.02	1.49	17.26	17.26	1.66	16.44	16.44	1.85	15.59	15.59	2.08
	63	18.79	18.56	1.35	18.02	18.02	1.49	17.27	17.27	1.66	16.44	16.44	1.85	15.60	15.60	2.08
	67	19.88	15.95	1.34	19.03	15.61	1.49	18.11	15.24	1.66	17.08	14.83	1.85	16.07	14.43	2.08
	72	21.70	12.53	1.33	20.81	12.21	1.48	19.86	11.87	1.65	18.78	11.49	1.84	17.62	11.09	2.06
N4A324(A,G)KG* Series Outdoor Section With EN(A,D)4X24L14** Indoor Section																
700	72	27.00	13.49	1.54	26.00	13.12	1.78	24.88	12.71	2.05	23.60	12.25	2.37	22.20	11.77	2.74
	67	24.70	16.72	1.54	23.76	16.33	1.78	22.68	15.90	2.05	21.51	15.44	2.37	20.23	14.95	2.74
	63	23.00	16.10	1.55	22.07	15.69	1.78	21.07	15.26	2.06	19.97	14.80	2.37	18.77	14.30	2.75
	62	22.70	19.89	1.55	21.81	19.46	1.78	20.88	18.99	2.06	19.95	19.95	2.37	18.98	18.98	2.75
	57	22.29	22.29	1.55	21.58	21.58	1.78	20.79	20.79	2.06	19.92	19.92	2.37	18.96	18.96	2.75
800	72	27.39	14.17	1.57	26.35	13.79	1.81	25.20	13.38	2.09	23.87	12.92	2.41	22.42	12.43	2.78
	67	25.08	17.82	1.58	24.11	17.43	1.82	23.00	17.00	2.09	21.79	16.53	2.41	20.47	16.03	2.78
	63	23.39	17.14	1.58	22.43	16.72	1.82	21.39	16.28	2.09	20.26	15.81	2.41	19.02	15.30	2.79
	62	23.24	21.32	1.58	22.43	22.43	1.82	21.59	21.59	2.09	20.66	20.66	2.41	19.62	19.62	2.79
	57	23.16	23.16	1.58	22.40	22.40	1.82	21.56	21.56	2.09	20.63	20.63	2.41	19.60	19.60	2.79
900	72	27.66	14.81	1.61	26.59	14.43	1.85	25.41	14.02	2.13	24.05	13.56	2.45	22.57	13.06	2.82
	67	25.36	18.88	1.61	24.37	18.49	1.85	23.24	18.05	2.13	22.00	17.57	2.45	20.65	17.05	2.82
	63	23.67	18.11	1.62	22.70	17.70	1.85	21.63	17.25	2.13	20.47	16.77	2.45	19.21	16.24	2.83
	62	23.89	23.89	1.62	23.10	23.10	1.85	22.21	22.21	2.13	21.22	21.22	2.45	20.13	20.13	2.83
	57	23.86	23.86	1.62	23.07	23.07	1.85	22.18	22.18	2.13	21.20	21.20	2.45	20.11	20.11	2.83
N4A330(A,G)KG* Series Outdoor Section With EN(A,D)4X31L17** Indoor Section																
875	72	33.22	16.91	2.06	31.69	16.39	2.26	30.06	15.84	2.50	28.48	15.31	2.77	27.41	14.95	3.12
	67	30.28	21.08	2.05	28.91	20.56	2.25	27.54	20.04	2.49	26.13	19.52	2.76	24.98	19.08	3.10
	63	28.16	20.25	2.04	27.05	19.80	2.25	25.78	19.28	2.49	24.46	18.76	2.76	22.86	18.13	3.08
	62	28.07	25.27	2.05	26.80	26.56	2.25	25.71	25.71	2.48	24.60	24.60	2.76	23.29	23.29	3.08
	57	27.67	27.67	2.04	26.71	26.71	2.25	25.67	25.67	2.48	24.55	24.55	2.76	23.26	23.26	3.08
970	72	33.81	17.69	2.10	32.00	17.08	2.30	30.30	16.51	2.53	28.71	15.99	2.81	27.49	15.59	3.14
	67	30.64	22.21	2.09	29.20	21.67	2.29	27.80	21.15	2.53	26.35	20.61	2.80	25.09	20.14	3.13
	63	28.55	21.32	2.08	27.34	20.83	2.29	26.03	20.31	2.52	24.67	19.76	2.79	23.13	19.14	3.11
	62	28.67	28.67	2.09	27.47	27.47	2.29	26.36	26.36	2.52	25.20	25.20	2.80	24.14	24.14	3.14
	57	28.57	28.57	2.09	27.43	27.43	2.29	26.33	26.33	2.52	25.14	25.14	2.79	24.21	24.21	3.13
1125	72	34.10	18.74	2.16	32.36	18.17	2.36	30.60	17.59	2.60	28.93	17.05	2.87	27.70	16.66	3.20
	67	31.10	23.99	2.15	29.57	23.42	2.36	28.11	22.88	2.59	26.63	22.32	2.86	25.46	21.89	3.21
	63	29.25	23.06	2.15	27.68	22.44	2.35	26.34	21.90	2.59	24.91	21.33	2.86	23.65	20.80	3.19
	62	29.57	29.57	2.15	28.41	28.41	2.35	27.20	27.20	2.59	25.99	25.99	2.86	25.03	25.03	3.20
	57	29.57	29.57	2.15	28.38	28.38	2.35	27.20	27.20	2.59	25.95	25.95	2.86	24.99	24.99	3.20

EVAPORATOR AIR		CONDENSER ENTERING AIR TEMPERATURES deg F														
		75			85			95			105			115		
		Capacity MBtuh		Total System KW	Capacity MBtuh		Total System KW	Capacity MBtuh		Total System KW	Capacity MBtuh		Total System KW	Capacity MBtuh		Total System KW
CFM	EWB	Total	Sens		Total	Sens		Total	Sens		Total	Sens		Total	Sens	
N4A336(A,G)KF* Series Outdoor Section With EA*4X37L21A* Indoor Section																
1050	72	41.02	21.66	2.54	39.40	21.07	2.83	37.67	20.45	3.14	35.71	19.75	3.48	33.44	18.95	3.91
	67	37.34	26.81	2.53	35.82	26.20	2.81	34.20	25.55	3.11	32.39	24.83	3.45	30.24	23.98	3.87
	63	34.68	25.78	2.53	33.23	25.15	2.81	31.71	24.49	3.10	29.97	23.75	3.44	27.94	22.89	3.85
	62	34.09	31.81	2.53	32.69	31.14	2.81	31.25	31.03	3.10	29.79	29.79	3.44	28.17	28.17	3.85
	57	33.44	33.44	2.53	32.31	32.31	2.81	31.10	31.10	3.10	29.74	29.74	3.43	28.12	28.12	3.85
1200	72	41.67	22.87	2.60	40.00	22.28	2.90	38.19	21.64	3.21	36.16	20.93	3.56	33.84	20.12	3.98
	67	37.97	28.72	2.59	36.42	28.10	2.88	34.74	27.44	3.18	32.86	26.71	3.52	30.66	25.85	3.93
	63	35.32	27.56	2.59	33.82	26.92	2.87	32.24	26.25	3.17	30.45	25.49	3.50	28.36	24.62	3.92
	62	35.04	34.70	2.59	33.72	33.72	2.87	32.44	32.44	3.16	30.99	30.99	3.50	29.26	29.26	3.92
	57	34.87	34.87	2.59	33.67	33.67	2.87	32.39	32.39	3.16	30.95	30.95	3.50	29.22	29.22	3.92
1350	72	42.14	24.02	2.67	40.41	23.42	2.97	38.56	22.78	3.28	36.48	22.06	3.63	34.10	21.25	4.05
	67	38.45	30.58	2.65	36.85	29.95	2.94	35.14	29.28	3.24	33.22	28.53	3.58	30.99	27.65	4.00
	63	35.80	29.28	2.65	34.26	28.63	2.93	32.63	27.95	3.23	30.83	27.19	3.57	28.68	26.27	3.98
	62	36.12	36.12	2.65	34.86	34.86	2.93	33.50	33.50	3.23	31.98	31.98	3.57	30.16	30.16	3.99
	57	36.07	36.07	2.65	34.81	34.81	2.93	33.45	33.45	3.23	31.94	31.94	3.57	30.12	30.12	3.99
N4A342(A,G)KN* Series Outdoor Section With EA*4X42L21A* Indoor Section																
1225	72	48.65	25.59	3.45	46.41	24.73	3.68	44.15	23.88	4.08	41.78	23.00	4.51	39.23	22.06	4.99
	67	44.62	31.50	3.40	42.55	30.62	3.66	40.47	29.75	4.06	38.27	28.85	4.50	35.92	27.90	4.98
	63	41.68	30.56	3.35	39.82	29.72	3.70	37.85	28.84	4.08	35.76	27.91	4.51	33.53	26.94	4.97
	62	40.98	37.36	3.35	39.11	36.47	3.65	37.25	35.56	4.04	35.32	34.59	4.48	33.39	33.39	4.97
	57	39.89	39.89	3.33	38.36	38.36	3.64	36.82	36.82	4.04	35.18	35.18	4.48	33.40	33.40	4.97
1400	72	49.36	26.72	3.54	47.04	25.86	3.76	44.69	24.99	4.15	42.24	24.10	4.59	39.60	23.15	5.06
	67	45.32	33.35	3.48	43.17	32.47	3.74	41.00	31.58	4.13	38.74	30.68	4.57	36.32	29.72	5.05
	63	42.37	32.31	3.44	40.44	31.45	3.79	38.40	30.56	4.17	36.25	29.64	4.59	33.95	28.65	5.06
	62	41.84	39.94	3.43	39.95	38.98	3.73	38.08	38.08	4.12	36.38	36.38	4.56	34.49	34.49	5.05
	57	41.42	41.42	3.43	39.79	39.79	3.72	38.14	38.14	4.12	36.39	36.39	4.56	34.49	34.49	5.05
1575	72	49.90	27.82	3.62	47.50	26.94	3.84	45.08	26.07	4.23	42.57	25.17	4.66	39.86	24.21	5.14
	67	45.85	35.16	3.57	43.63	34.27	3.82	41.41	33.39	4.21	39.10	32.47	4.65	36.63	31.49	5.13
	63	42.90	34.01	3.52	40.92	33.16	3.87	38.83	32.26	4.25	36.63	31.32	4.68	34.28	30.31	5.14
	62	42.68	42.28	3.52	40.93	40.93	3.80	39.20	39.20	4.20	37.35	37.35	4.64	35.35	35.35	5.12
	57	42.66	42.66	3.52	40.94	40.94	3.80	39.20	39.20	4.20	37.35	37.35	4.64	35.35	35.35	5.12
N4A348(A,G)KG* Series Outdoor Section With EA*4X48L17A* Indoor Section																
1275	72	53.87	27.47	3.18	51.45	26.27	3.59	48.92	25.05	4.07	46.25	23.82	4.61	43.41	22.56	5.21
	67	49.06	33.61	3.16	46.83	32.31	3.56	44.50	31.00	4.05	42.04	29.66	4.59	39.41	28.30	5.19
	63	45.60	32.39	3.14	43.53	31.11	3.55	41.33	29.80	4.03	39.02	28.47	4.57	36.55	27.11	5.18
	62	44.79	39.62	3.14	42.76	38.21	3.55	40.64	36.76	4.02	38.42	35.26	4.57	36.16	36.16	5.17
	57	43.29	43.29	3.13	41.65	41.65	3.54	39.91	39.91	4.02	38.08	38.08	4.56	36.11	36.11	5.17
1425	72	54.71	28.64	3.23	52.22	27.41	3.65	49.58	26.17	4.13	46.83	24.91	4.67	43.91	23.63	5.28
	67	49.84	35.47	3.22	47.54	34.13	3.63	45.12	32.78	4.11	42.58	31.40	4.65	39.90	29.99	5.26
	63	46.35	34.12	3.21	44.20	32.79	3.61	41.94	31.45	4.09	39.55	30.08	4.64	37.02	28.68	5.24
	62	45.62	42.07	3.20	43.55	40.56	3.61	41.43	41.12	4.09	39.37	39.37	4.63	37.29	37.29	5.24
	57	44.80	44.80	3.20	43.09	43.09	3.61	41.25	41.25	4.09	39.31	39.31	4.63	37.24	37.24	5.24
1575	72	55.37	29.76	3.29	52.79	28.51	3.71	50.09	27.24	4.19	47.26	25.96	4.74	44.27	24.65	5.34
	67	50.46	37.27	3.28	48.09	35.89	3.69	45.61	34.49	4.17	43.01	33.08	4.71	40.26	31.63	5.32
	63	46.96	35.79	3.27	44.74	34.42	3.67	42.42	33.04	4.15	39.97	31.63	4.70	37.38	30.19	5.30
	62	46.40	44.30	3.26	44.37	44.37	3.67	42.45	42.45	4.15	40.42	40.42	4.70	38.25	38.25	5.31
	57	46.10	46.10	3.26	44.30	44.30	3.67	42.39	42.39	4.15	40.36	40.36	4.70	38.20	38.20	5.31

EVAPORATOR AIR		CONDENSER ENTERING AIR TEMPERATURES deg F																			
		75				85				95				105				115			
		Capacity MBtuh		Total Sys-tem KW	Capacity MBtuh		Total Sys-tem KW	Capacity MBtuh		Total Sys-tem KW	Capacity MBtuh		Total Sys-tem KW	Capacity MBtuh		Total Sys-tem KW					
CFM	EWB	Total	Sens		Total	Sens		Total	Sens		Total	Sens		Total	Sens		Total	Sens			
N4A360(A,G)KN* Series Outdoor Section With EA*4X60*24A* Indoor Section																					
1750	72	68.71	34.82	4.37	65.76	33.74	4.81	62.59	32.60	5.30	59.21	31.39	5.84	55.54	30.09	6.42					
	67	63.16	43.00	4.29	60.43	41.90	4.74	57.50	40.73	5.23	54.39	39.50	5.77	51.03	38.20	6.36					
	63	59.15	41.80	4.24	56.59	40.69	4.68	53.84	39.50	5.18	50.92	38.26	5.72	47.79	36.96	6.31					
	62	58.14	51.13	4.23	55.65	49.99	4.67	53.01	48.77	5.16	50.27	47.45	5.71	47.55	47.55	6.31					
	57	56.63	56.63	4.21	54.60	54.60	4.66	52.42	52.42	5.16	50.09	50.09	5.71	47.55	47.55	6.31					
2000	72	69.71	36.45	4.48	66.67	35.37	4.92	63.38	34.20	5.41	59.88	32.98	5.95	56.07	31.67	6.53					
	67	64.15	45.67	4.40	61.31	44.55	4.85	58.27	43.36	5.34	55.05	42.13	5.87	51.58	40.80	6.46					
	63	60.14	44.30	4.35	57.47	43.18	4.79	54.61	41.98	5.28	51.60	40.73	5.82	48.36	39.39	6.42					
	62	59.33	54.75	4.34	56.80	53.54	4.78	54.23	54.23	5.28	51.77	51.77	5.83	49.05	49.05	6.42					
	57	58.75	58.75	4.33	56.59	56.59	4.78	54.26	54.26	5.28	51.77	51.77	5.83	49.05	49.05	6.42					
2250	72	70.44	37.99	4.59	67.31	36.90	5.03	63.93	35.73	5.52	60.33	34.49	6.05	56.41	33.16	6.63					
	67	64.85	48.20	4.51	61.94	47.09	4.95	58.82	45.89	5.44	55.52	44.63	5.98	51.96	43.27	6.56					
	63	60.84	46.68	4.45	58.11	45.56	4.90	55.17	44.34	5.39	52.08	43.07	5.93	48.77	41.69	6.52					
	62	60.44	60.44	4.45	58.18	58.18	4.90	55.72	55.72	5.40	53.10	53.10	5.94	50.23	50.23	6.54					
	57	60.47	60.47	4.45	58.19	58.19	4.90	55.73	55.73	5.40	53.10	53.10	5.94	50.23	50.23	6.54					

Total sensible capacities are based on net capacities. Blower heat has been subtracted.
 Sensible capacities shown are based on 80° F (27° C) entering air at the indoor coil. For sensible capacities at other than 80° F (27° C), deduct 835 Btuh (245 kW) per 1000 CFM (480 L/S) of indoor coil air for each degree below 80° F (27° C), or add 835 Btuh (245 kW) per 1000 CFM (480 L/S) of indoor coil air per degree above 80° F (27° C).
 Detailed cooling and heating capacities are based on indoor and outdoor unit at the same elevation per AHRI standard 210/240 -2008. If additional tubing length is required and/or indoor unit is located above outdoor unit, a slight variation in capacity may occur.
 System kw is total of indoor and outdoor unit kilowatts.

ACCESSORY USAGE GUIDELINES		
Accessory	REQUIRED FOR LOW- AMBIENT APPLICATIONS {Below 55°F (13°C)}	REQUIRED FOR LONG- LINE APPLICATIONS*
Crankcase Heater	Yes	Yes
Evaporator Freeze Thermostat	Yes	No
Winter Start Control	Yes**	No
TXV	Yes	Yes‡
Hard Start Kit (Capacitor & Relay)	Yes	Yes
Low Ambient Kit (Pressure Switch)	Yes	No
Support Feet, 4" (102mm) tall	Recommended	No
Liquid Line Solenoid Valve	No	See Long- Line Application Guideline

* Refer to the Long Line Application Guideline document.

** Can only be installed in conjunction with the Low Pressure Switch

‡ TXV required beyond 20 ft (6.1m) vertical separation or 50 ft (15.2) total length.

ACCESSORIES		
Part Number	Description	Used On Model Size
NASA003CH	Crankcase Heater for Scroll Compressor (208/230V)	18, 24, 30, 36
NASA001CH	Crankcase Heater for Scroll Compressor (208/230V)	42, 48, 60
NASA003SC	Hard Start Kit (Capacitor & Relay)	ALL
NASA00201FS	Evaporator Freeze Thermostat	ALL
NASA403PS	Low Pressure Switch, AC, R- 410A	ALL
NASA404PS	High Pressure Switch, AC or HP, R- 410A	ALL
NASA001LS	Liquid Line Solenoid Valve, R- 410A	ALL
NASA001TD	Time Delay Relay, Indoor Blower	ALL
NASA00201WS	Winter Start Control	ALL
NASA001AC	Anti- Cycle Timer (5 minute delay)	ALL
NASA401LA	Low Ambient Kit (Pressure Switch), R- 410A	ALL
NASA00201SF	Support Feet, 4" (102mm) tall (5 blocks)	18, 24, 30
NASA001SF	Support Feet, 4" (102mm) tall (4 blocks)	36, 42, 48, 60
NASA00301SJ	Sound Jacket, Compressor	18, 24, 36
NASA00201SJ	Sound Jacket, Compressor	30, 42, 48
NASA00101SJ	Sound Jacket, Compressor	60
NAEA40501TX	TXV Kit, R- 410A - for use with copper or tin fan coils	18, 24
NAEA40601TX	TXV Kit, R- 410A - for use with copper or tin fan coils	30, 36, 42
NAEA40701TX	TXV Kit, R- 410A - for use with copper or tin fan coils	48, 60
NAEB40501TX	TXV Kit, R- 410A - for use with aluminum coils	18, 24
NAEB40601TX	TXV Kit, R- 410A - for use with aluminum coils	30, 36, 42
NAEB40701TX	TXV Kit, R- 410A - for use with aluminum coils	48, 60