



NXA6

Performance Series Product Specifications

HIGH EFFICIENCY 16 SEER AIR CONDITIONER ENVIRONMENTALLY BALANCED R-410A REFRIGERANT

**1½ THRU 5 TONS SPLIT SYSTEM
208 / 230 Volt, 1-phase, 60 Hz
REFRIGERATION CIRCUIT**

- Scroll compressors on select models
- Filter-Drier supplied with every unit for field installation
- Copper tube / aluminum fin coil

EASY TO INSTALL AND SERVICE

- Easy Access service valves on all models
- External high and low refrigerant service ports
- Only two screws to access control panel
- Factory charged with R-410A refrigerant

BUILT TO LAST

- Baked-on powder coat finish over galvanized steel
- Post-painted (black) coil fins
- Coated, weather-resistant cabinet screws
- Coated inlet grille with 3/8" (10mm) spacing for extra protection

LIMITED WARRANTY*

- 5 year compressor limited warranty
- 5 year parts limited warranty (including compressor and coil)
 - With timely registration, an additional 5 year parts limited warranty (including compressor and coil)
- * For owner occupied, residential applications only. See warranty certificate for complete details and restrictions, including warranty for other applications.



This product has been designed and manufactured to meet ENERGY STAR criteria for energy efficiency when matched with appropriate coil components. However, proper refrigerant charge and proper air flow are critical to achieve rated capacity and efficiency. Installation of this product should follow the manufacturer's refrigerant charging and air flow instructions. Failure to confirm proper charge and airflow may reduce energy efficiency and shorten equipment life.



Use of the AHRI Certified TM Mark indicates a manufacturer's participation in the program. For verification of certification for individual products, go to www.ahridirectory.org.

| Model Number | Size (tons) | Nominal BTU/hr | Min. Circuit Ampacity | Max. Fuse or Breaker | Operating Dimensions height x width x depth in. (mm) | Ship / Operating Weight lbs. (kg) |
|--------------|-------------|----------------|-----------------------|----------------------|--|-----------------------------------|
| NXA618GKA | 1½ | 18,000 | 11.8 | 20 | 28-11/16 x 25-3/4 x 25-3/4 (729 x 654 x 654) | 154 / 125 (70 / 57) |
| NXA624GKA | 2 | 24,000 | 17.7 | 30 | 28-5/16 x 31-3/16 x 31-3/16 (719 x 792 x 792) | 147 / 183 (83 / 67) |
| NXA630GKA | 2½ | 30,000 | 16.8 | 25 | 32-5/16 x 31-3/16 x 31-3/16 (821 x 792 x 792) | 188 / 153 (85 / 69) |
| NXA636GKB | 3 | 36,000 | 17.5 | 30 | 28-5/16 x 35 x 35 (719 x 889 x 889) | 204 / 165 (93 / 75) |
| NXA642GKA | 3½ | 42,000 | 23.6 | 40 | 39-1/8 x 35 x 35 (994 x 889 x 889) | 254 / 213 (115 / 96) |
| NXA648GKA | 4 | 48,000 | 26.1 | 40 | 39-1/8 x 35 x 35 (994 x 889 x 889) | 317 / 264 (144 / 120) |
| NXA660GKB | 5 | 60,000 | 32.4 | 50 | 45-11/16 x 35 x 35 (1161 x 889 x 889) | 318 / 280 (144 / 127) |

| OUTDOOR UNIT MODEL NUMBER IDENTIFICATION GUIDE (single phase) | | | | | | | | | | | |
|--|----------|----------|----------|----------|-----------|----------|----------|----------|----------|----------|----------|
| Digit Position: | 1 | 2 | 3 | 4 | 5, 6 | 7 | 8 | 9 | 10 | 11 | 12 |
| Example Part Number: | N | X | A | 6 | 18 | G | K | A | 1 | 0 | 0 |
| C = Day & Night Mainline | | | | | | | | | | | |
| N = Day & Night Entry BRANDING | | | | | | | | | | | |
| X = R-410A REFRIGERANT | | | | | | | | | | | |
| A = Air Conditioner | | | | | | | | | | | |
| H = Heat Pump TYPE | | | | | | | | | | | |
| 4 = 14 SEER | | | | | | | | | | | |
| 6 = 16 SEER NOMINAL EFFICIENCY | | | | | | | | | | | |
| 18 = 18,000 BTUH = 1½ tons | | | | | | | | | | | |
| 24 = 24,000 BTUH = 2 tons | | | | | | | | | | | |
| 30 = 30,000 BTUH = 2½ tons | | | | | | | | | | | |
| 36 = 36,000 BTUH = 3 tons | | | | | | | | | | | |
| 42 = 42,000 BTUH = 3½ tons | | | | | | | | | | | |
| 48 = 48,000 BTUH = 4 tons | | | | | | | | | | | |
| 60 = 60,000 BTUH = 5 tons NOMINAL CAPACITY | | | | | | | | | | | |
| A = Standard Grille | | | | | | | | | | | |
| G = Coil Guard Grille | | | | | | | | | | | |
| C = Coastal FEATURES | | | | | | | | | | | |
| K = 208/230-1-60 VOLTAGE | | | | | | | | | | | |
| Sales Code | | | | | | | | | | | |
| Engineering Revision | | | | | | | | | | | |
| Extra Digit | | | | | | | | | | | |
| Extra Digit | | | | | | | | | | | |

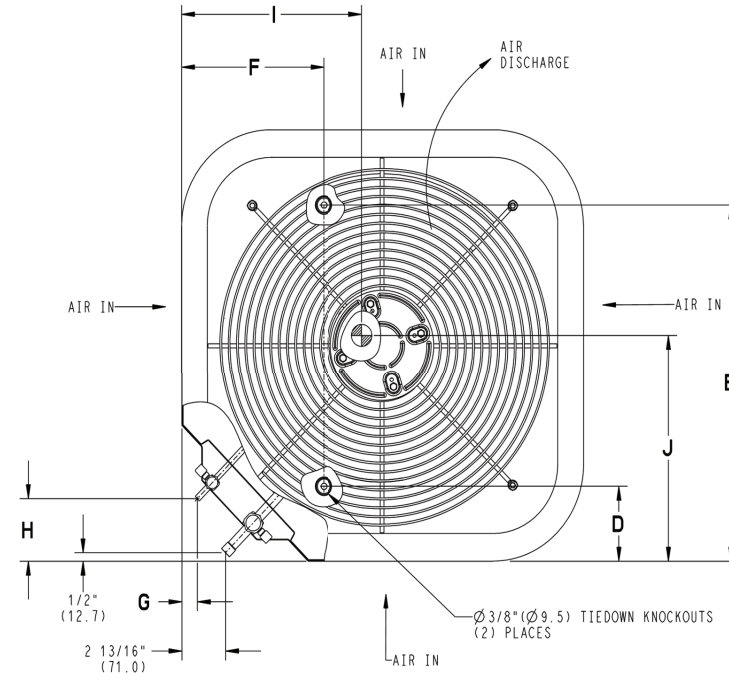
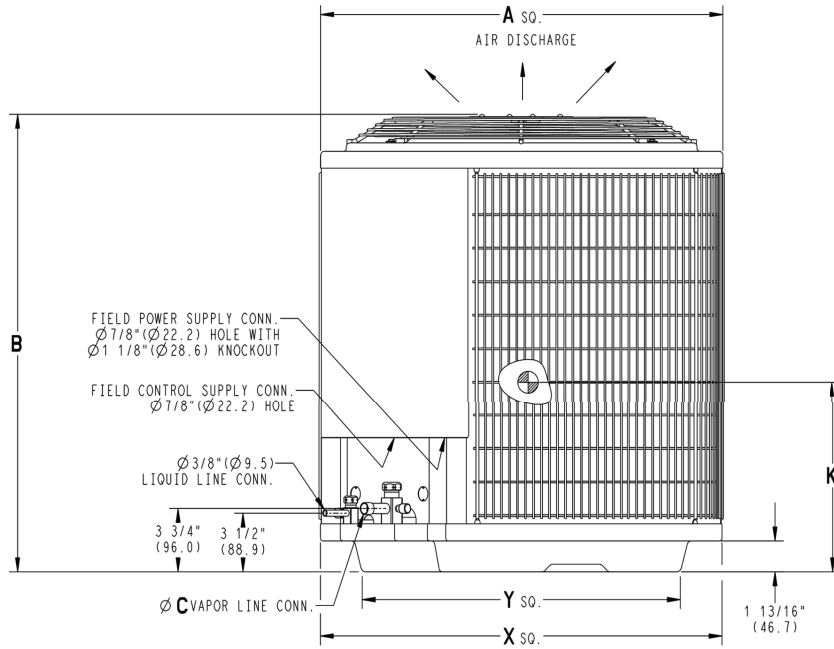
| ACCESSORIES PART NUMBER IDENTIFICATION GUIDE | | | | | | | | | |
|---|----------|----------|----------|----------|----------|-----------|-----------|-----------|--|
| Digit Position: | 1 | 2 | 3 | 4 | 5 | 6, 7 | 8, 9 | 10, 11 | |
| Example Part Number: | N | A | S | A | 0 | 01 | 01 | CH | |
| N = Non-Branded BRANDING | | | | | | | | | |
| A = Accessory PRODUCT GROUP | | | | | | | | | |
| S = Split System (AC & HP) KIT USAGE | | | | | | | | | |
| A = Original | | | | | | | | | |
| B = 2nd Generation MAJOR SERIES | | | | | | | | | |
| 0 = Generic or Not Applicable | | | | | | | | | |
| 2 = R-22 | | | | | | | | | |
| 4 = R-410A REFRIGERANT | | | | | | | | | |
| Product Identifier Number | | | | | | | | | |
| Package Quantity | | | | | | | | | |
| Type of Kit (Example: CH = Crankcase Heater) | | | | | | | | | |

| UNIT | SERIES | ELECTRICAL CHARACTERISTICS | | | | A | | B | | C | | D | | E | | F | | G | | H | | I | | J | | K | | OPERATING WEIGHT | | SHIPPING WEIGHT | | SHIPPING LENGTH / WIDTH (Sq.) | | SHIPPING HEIGHT | |
|--------------|--------|----------------------------|----|------|----|---------|-------|----------|--------|------|------|--------|-------|----------|-------|-------|-------|------|-----|------|------|--------|-------|--------|-------|--------|-------|------------------|-------|-----------------|-------|-------------------------------|-------|-----------------|--------|
| | | INCH | MM | INCH | MM | INCH | MM | INCH | MM | INCH | MM | INCH | MM | INCH | MM | INCH | MM | INCH | MM | INCH | MM | INCH | MM | INCH | MM | INCH | MM | Lbs | Kgs | Lbs | Kgs | INCH | MM | INCH | MM |
| NXA618GKA100 | 1 | Y | N | N | N | 25 3/4 | 654.0 | 28 11/16 | 728.7 | 3/4 | 19.1 | 4 7/16 | 113.0 | 21 1/4 | 539.9 | 9 1/8 | 231.3 | 5/16 | 7.9 | 3 | 76.2 | 13 5/8 | 346.1 | 13 1/2 | 342.9 | 12 3/4 | 323.9 | 125 | 56.7 | 154 | 69.9 | 27 7/8 | 708.2 | 33 3/16 | 843.1 |
| NXA624GKA100 | 1 | Y | N | N | N | 31 3/16 | 792.5 | 28 11/16 | 728.7 | 3/4 | 19.1 | 6 9/16 | 166.1 | 24 11/16 | 626.3 | 9 1/8 | 231.3 | 5/16 | 7.9 | 3 | 76.2 | 16 | 406.4 | 16 | 406.4 | 13 | 330.2 | 147 | 66.7 | 183 | 83.0 | 33 5/16 | 846.6 | 33 3/16 | 843.1 |
| NXA630GKA100 | 1 | Y | N | N | N | 31 3/16 | 792.5 | 32 1/16 | 815.1 | 3/4 | 19.1 | 6 9/16 | 166.1 | 24 11/16 | 626.3 | 9 1/8 | 231.3 | 5/16 | 7.9 | 3 | 76.2 | 15 1/2 | 393.7 | 16 | 406.4 | 14 1/4 | 362.0 | 153 | 69.4 | 188 | 85.3 | 33 5/16 | 846.6 | 36 5/8 | 929.5 |
| NXA636GKA100 | 1 | Y | N | N | N | 35 | 889.0 | 28 11/16 | 728.7 | 7/8 | 22.2 | 6 9/16 | 166.1 | 28 7/16 | 722.8 | 9 1/8 | 231.3 | 5/16 | 7.9 | 3 | 76.2 | 16 | 406.4 | 16 | 406.4 | 13 | 330.2 | 165 | 74.8 | 204 | 92.5 | 37 1/8 | 943.1 | 33 3/16 | 843.1 |
| NXA642GKA100 | 1 | Y | N | N | N | 35 | 889.0 | 38 7/8 | 987.8 | 7/8 | 22.2 | 6 9/16 | 166.1 | 28 7/16 | 722.8 | 9 1/8 | 231.3 | 5/16 | 7.9 | 3 | 76.2 | 16 1/2 | 419.1 | 17 1/2 | 444.5 | 17 1/2 | 444.5 | 213 | 96.6 | 254 | 115.2 | 37 1/8 | 943.1 | 43 3/8 | 1102.2 |
| NXA648GKA100 | 1 | Y | N | N | N | 35 | 889.0 | 38 7/8 | 987.8 | 7/8 | 22.2 | 6 9/16 | 166.1 | 28 7/16 | 722.8 | 9 1/8 | 231.3 | 5/16 | 7.9 | 3 | 76.2 | 17 1/2 | 444.5 | 16 1/2 | 419.1 | 15 | 381.0 | 264 | 119.7 | 317 | 143.8 | 37 1/8 | 943.1 | 43 3/8 | 1102.2 |
| NXA660GKB101 | 1 | Y | N | N | N | 35 | 889.0 | 45 11/16 | 1160.5 | 7/8 | 22.2 | 6 9/16 | 166.1 | 28 7/16 | 722.8 | 9 1/8 | 231.3 | 5/16 | 7.9 | 3 | 76.2 | 17 1/8 | 435.0 | 18 3/8 | 466.7 | 21 1/4 | 539.8 | 280 | 127.0 | 318 | 144.2 | 37 1/8 | 943.1 | 50 3/16 | 1274.9 |
| NXA636GKB201 | 2 | Y | N | N | N | 35 | 889.0 | 28 11/16 | 728.7 | 7/8 | 22.2 | 6 9/16 | 166.1 | 28 7/16 | 722.8 | 9 1/8 | 231.3 | 5/16 | 7.9 | 3 | 76.2 | 16 | 406.4 | 16 | 406.4 | 13 | 330.2 | 165 | 74.8 | 204 | 92.5 | 37 1/8 | 943.1 | 33 3/16 | 843.1 |

| | |
|--------------|---------------|
| 208-230-1-60 | Y=YES N=NO |
| 208-230-3-60 | |
| 460-3-60 | |
| 575-3-60 | |

NOTES:

1. CENTER OF GRAVITY



| UNIT SIZE | "X" | | "Y" | |
|-------------|--|-------|--|-------|
| | MINIMUM GROUND MOUNTING PAD APPLICATION DIMENSIONS | | MINIMUM ROOF-TOP MOUNTING PAD APPLICATION DIMENSIONS | |
| - | 23 1/8 | 587.3 | 17 7/8 | 454.6 |
| 18 | 25 3/4 | 654.0 | 20 7/16 | 518.5 |
| 24,30 | 31 3/16 | 792.5 | 22 15/16 | 583.2 |
| 36,42,48,60 | 35 | 889.0 | 26 3/4 | 679.7 |

NOTE: ALL DIMENSIONS IN INCH (MM)

U.S. ECCN: Not Subject to Regulation (N.S.R.)

| PHYSICAL DATA | | | | | | | |
|--|----------------|----------------|----------------|----------------|----------------|-----------------|-----------------|
| Model Size | 18 | 24 | 30 | 36 | 42 | 48 | 60 |
| Nominal Cooling Capacity (BTU/hr) | 18,000 | 24,000 | 30,000 | 36,000 | 42,000 | 48,000 | 60,000 |
| Nominal SEER | 16.0 | 16.0 | 16.0 | 16.0 | 16.0 | 16.0 | 16.0 |
| Sound Rating (dBA)** | 76 | 76 | 76 | 76 | 78 | 78 | 74 |
| PSC Fan Motor HP | 1/12 | 1/10 | 1/10 | 1/12 | 1/5 | 1/4 | 1/3 |
| Fan RPM (single speed) | 1100 | 1100 | 1100 | 830 | 830 | 830 | 817 |
| Fan CFM | 1900 | 2600 | 2600 | 3200 | 3800 | 4100 | 4000 |
| Coil Face Area ft ² (m ²) | 11.47 (1.1) | 15.07 (1.4) | 17.22 (1.6) | 17.58 (1.6) | 25.12 (2.3) | 25.12 (2.3) | 30.15 (2.8) |
| Coil Rows – fins per inch | 1 – 25 | 1 – 25 | 1 – 25 | 1 – 25 | 1 – 25 | 2 – 20 | 2 – 20 |
| Liquid Line Connection Size in. (mm) | 3/8 (10) | 3/8 (10) | 3/8 (10) | 3/8 (10) | 3/8 (10) | 3/8 (10) | 3/8 (10) |
| Vapor Line Connection Size in. (mm) | 3/4 (19) | 3/4 (19) | 3/4 (19) | 7/8 (22) | 7/8 (22) | 7/8 (22) | 7/8 (22) |
| Rated Line Set Liquid Tube Diameter in. (mm) | 3/8 (10) | 3/8 (10) | 3/8 (10) | 3/8 (10) | 3/8 (10) | 3/8 (10) | 3/8 (10) |
| Rated Line Set Vapor Tube Diameter in. (mm) | 3/4 (19) * | 3/4 (19) * | 3/4 (19) * | 7/8 (22)* | 7/8 (22)* | 7/8 (22)* | 1-1/8 (29)* |
| Factory Charge R-410A lbs. (kg) | 4.61 (2.09) | 6.00 (2.72) | 6.81 (3.09) | 7.00 (3.18) | 8.62 (3.91) | 13.00 (5.90) | 14.00 (6.35) |
| Required Subcooling ° F (° C) | 10 (6) | 10 (6) | 10 (6) | 10 (6) | 9 (5) | 8 (4) | 9 (5) |
| Weight, shipping lbs. (kg) | 154 (70) | 183 (83) | 188 (85) | 204 (93) | 254 (115) | 317 (144) | 318 (144) |
| Weight, operating lbs. (kg) | 125 (57) | 147 (67) | 153 (69) | 165 (75) | 213 (96) | 264 (120) | 280 (127) |

* Units are rated with 25 ft (7.6 m) of lineset length. See Vapor Line Sizing and Cooling Capacity Loss table when using other sizes and lengths of lineset. **Note:** See unit Installation Instruction for proper installation.

| ELECTRICAL DATA (208/230-1-60, voltage range 197V – 253V) | | | | | | | |
|---|-------------|--------------|--------------|--------------|---------------|---------------|---------------|
| Model Size | 18 | 24 | 30 | 36 | 42 | 48 | 60 |
| Minimum Circuit Ampacity – MCA (amps) | 11.8 | 17.7 | 16.8 | 17.5 | 23.6 | 26.1 | 32.4 |
| Maximum OverCurrent Protective device – MOCP (amps) | 20 | 30 | 25 | 30 | 40 | 40 | 50 |
| Compressor RLA (Rated Load Amps) LRA (Locked Rotor Amps) | 9.0 48.0 | 13.5 58.3 | 12.8 64.0 | 13.6 79.0 | 17.9 112.0 | 19.9 109.0 | 23.7 152.5 |
| Fan Motor FLA (Full Load Amps) | .50 | .75 | .75 | .50 | 1.2 | 1.2 | 2.8 |

**Sound Rating tested in accordance with AHRI Standard 270-08 (not listed with AHRI).

REFRIGERANT CHARGE ADJUSTMENTS

| Liquid Line Size | R-410A Charge oz/ft |
|------------------|---|
| 3/8 | 0.60 (Factory charge for lineset = 9 oz) |
| 5/16 | 0.40 |
| 1/4 | 0.27 |

Units are factory charged for 15 ft (4.6 m) of 3/8" liquid line. The factory charge for 3/8" lineset 9 oz. When using other length or diameter liquid lines, charge adjustments are required per the chart above.

Charging Formula:

$[(\text{Lineset oz/ft} \times \text{total length}) - (\text{factory charge for lineset})] = \text{charge adjustment}$

Example 1: System has 15 ft of line set using existing 1/4" liquid line. What charge adjustment is required?

Formula: $(.27 \text{ oz/ft} \times 15\text{ft}) - (9 \text{ oz}) = (-4.95) \text{ oz.}$

Net result is to remove 4.95 oz of refrigerant from the system

Example 2: System has 45 ft of existing 5/16" liquid line. What is the charge adjustment?

Formula: $(.40 \text{ oz/ft.} \times 45\text{ft}) - (9 \text{ oz.}) = 9 \text{ oz.}$

Net result is to add 9 oz of refrigerant to the system

LONG LINE APPLICATIONS

An application is considered Long Line, when the refrigerant level in the system requires the use of accessories to maintain acceptable refrigerant management for systems reliability. See Accessory Usage Guideline table for required accessories. Defining a system as long line depends on the liquid line diameter, actual length of the tubing, and vertical separation between the indoor and outdoor units.

For Air Conditioner systems, the charts below shows when an application requires a TXV and long line accessories due to lineset length.

AC with R-410A Refrigerant Long Line Description ft (m) Beyond these lengths, a TXV is required

| Total Length | Outdoor Unit Above or Below Indoor Unit |
|-------------------------------------|---|
| TXV required beyond 50 ft. (15.2 m) | TXV required beyond 20 ft. (6.1 m) |

AC with R-410A Refrigerant Long Line Description ft (m) (Beyond these lengths, long line accessories are required)

| Liquid Line Size | Units On Same Level | Outdoor Below Indoor | Outdoor Above Indoor |
|------------------|--|--|----------------------|
| 1/4 + TXV | No accessories needed within allowed lengths | No accessories needed within allowed lengths | 175 (53.3) |
| 5/16 + TXV | 120 (36.6) | 50 (15.2) vertical or 120 (36.6) total | 120 (36.6) |
| 3/8 + TXV | 80 (24.4) | 35 (10.7) vertical or 80 (24.4) total | 80 (24.4) |

Note: See Long Line Guideline for details

| R-410A COOLING CAPACITY LOSS FOR VARIOUS LINE LENGTHS & TUBE DIAMETERS | | | | | | | | | | | | | | | |
|--|---------------------|--------------------------------------|--|---------------|---------------|--|----------------|----------------|----------------|----------------|--------------|----------------|----------------|---|--|
| Model Size | Liquid Line in.(mm) | Acceptable Vapor Line Sizes in. (mm) | Cooling Capacity Loss (%) at Total Equivalent Line Length, feet (m) Refer to Long Line Application Guideline to calculate equivalent length | | | | | | | | | | | | |
| | | | Standard Application | | | Long Line Application (Requires Accessories) | | | | | | | | | |
| | | | 25' (7.6) | 50' (15.2) | 80' (24.4) | 81' (24.7) | 100' (30.5) | 125' (38.1) | 150' (45.7) | 175' (53.3) | 200' (61) | 225' (68.6) | 250' (76.2) | | |
| 18 | 3/8 (10) | 1/2 (13) | 1 | 2 | 3 | 3 | 4 | 6 | 7 | 8 | 9 | 10 | 12 | | |
| | | 5/8 (16) | 0 | 0 | 1 | 1 | 1 | 1 | 2 | 2 | 3 | 3 | 3 | | |
| | | 3/4 (19) | 0 | 0 | 0 | 0 | 0 | 1 | 1 | 1 | 1 | 1 | 1 | 1 | |
| 24 | | 5/8 (16) | 0 | 1 | 1 | 1 | 2 | 3 | 3 | 4 | 4 | 4 | 5 | 6 | |
| | | 3/4 (19) | 0 | 0 | 0 | 0 | 0 | 1 | 1 | 1 | 1 | 1 | 1 | 2 | |
| | | 7/8 (22) | 0 | 0 | 0 | 0 | 0 | 0 | 0 | 0 | 0 | 0 | 0 | 1 | |
| 30 | | 5/8 (16) | 1 | 2 | 3 | 3 | 3 | 4 | 5 | 6 | 7 | 8 | 9 | | |
| | | 3/4 (19) | 0 | 0 | 1 | 1 | 1 | 1 | 2 | 2 | 2 | 3 | 3 | | |
| | | 7/8 (22) | 0 | 0 | 0 | 0 | 0 | 1 | 1 | 1 | 1 | 1 | 1 | | |
| 36 | | 5/8 (16) | 1 | 2 | 4 | 4 | 5 | 6 | 7 | 9 | 10 | 11 | 13 | | |
| | | 3/4 (19) | 0 | 0 | 1 | 1 | 1 | 2 | 2 | 3 | 3 | 4 | 4 | | |
| | | 7/8 (22) | 0 | 0 | 0 | 0 | 0 | 1 | 1 | 1 | 1 | 2 | 2 | | |
| 42 | 3/4 (19) | 0 | 1 | 2 | 2 | 2 | 3 | 4 | 4 | 5 | 6 | 6 | | | |
| | 7/8 (22) | 0 | 0 | 1 | 1 | 1 | 1 | 2 | 2 | 2 | 3 | 3 | | | |
| | 1-1/8 (29) | 0 | 0 | 0 | 0 | 0 | 0 | 0 | 0 | 0 | 0 | 0 | 1 | | |
| 48 | 3/4 (19) | 0 | 1 | 2 | 2 | 3 | 4 | 5 | 5 | 6 | 7 | 8 | | | |
| | 7/8 (22) | 0 | 0 | 1 | 1 | 1 | 2 | 2 | 2 | 3 | 3 | 4 | | | |
| | 1-1/8 (29) | 0 | 0 | 0 | 0 | 0 | 0 | 0 | 0 | 1 | 1 | 1 | | | |
| 60 | 3/4 (19) | 1 | 2 | 4 | 4 | 5 | 6 | 7 | 9 | 10 | 11 | 12 | | | |
| | 7/8 (22) | 0 | 1 | 2 | 2 | 2 | 3 | 4 | 4 | 5 | 5 | 6 | | | |
| | 1-1/8(29) | 0 | 0 | 0 | 0 | 1 | 1 | 1 | 1 | 1 | 1 | 2 | | | |

Consult the Long Line Application Guideline document before purchasing/installing line sets.

Applications in shaded area may have height restrictions that limit allowable total equivalent length when outdoor unit is below indoor unit.

TESTED AHRI COMBINATION RATINGS

NOTE: For complete ratings information, use the AHRI website directory search: www.AHRIdirectory.org.

New ratings may be listed online before Specification Sheets are updated.

| UNIT SIZE | INDOOR MODEL | AHRI STANDARD RATINGS COOLING | | | | | | FURNACE MODEL |
|-----------|------------------|-------------------------------|-----------------|----------|-------|-----|-------|---------------|
| | | CAPACITY | FACTORY ENHANCE | SEER | | | EER | |
| | | | | STANDARD | TDR | TXV | | |
| 18 | EN(A,D)4X19*17** | 18,000 | TXV | | 14.50 | | 12.00 | |
| 24 | EN(A,D)4X31*17** | 23,600 | TXV | | 14.50 | | 12.00 | |
| 30 | EN(A,D)4X31*17** | 28,600 | TXV | | 14.50 | | 12.00 | |
| 36 | EN(A,D)4X37*17** | 34,400 | TXV | | 14.50 | | 12.00 | |
| 42 | EN(A,D)4X43*24** | 41,000 | TXV | | 14.50 | | 12.00 | |
| 48 | *ED*4X60L** | 46,000 | TXV | | 14.50 | | 12.00 | |
| 60 | EN(A,D)4X61*24** | 57,500 | TXV | | 15.00 | | 12.50 | |

- AHRI** — Air Conditioning, Heating & Refrigeration Institute
EER — Energy Efficiency Ratio — 80°F (26.6°C) indoor db/67°F (19.4°C) indoor wb & 95°F (35°C) outdoor db.
SEER — Seasonal Energy Efficiency Ratio
TDR — Time-Delay Relay. In most cases, only one method should be used to achieve TDR function. Using more than one method in a system may cause degradation in performance. Use either the accessory Time-Delay Relay or a furnace equipped with TDR. Most ICP furnaces are equipped with TDR.

- NOTES:**
 1. Ratings are net values reflecting the effects of circulating fan motor heat. Supplemental electric heat is not included.
 2. Tested outdoor/indoor combinations have been tested in accordance with DOE test procedures for central air conditioners. Ratings for other combinations are determined under DOE computer simulation procedures.
 3. Determine actual CFM values obtainable for your system by referring to fan performance data in fan coil or furnace coil literature.
 4. Do not apply with capillary tube coils as performance and reliability are significantly affected.

TESTED AHRI COMBINATION RATINGS*

NOTE: Ratings contained in this document are subject to change at any time.

For AHRI ratings certificates, please refer to the AHRI directory. www.ahridirectory.org

Additional ratings and system combinations can be accessed via the Day and Night database:

<http://www.icpeqp.com/AHRIRatings/ratings.aspx?Brand=DayAndNight>

Or scan this QR code:



| ACCESSORY USAGE GUIDELINES | | |
|------------------------------------|---|---|
| Accessory | REQUIRED FOR LOW-AMBIENT APPLICATIONS {Below 55°F (13°C)} | REQUIRED FOR LONG-LINE APPLICATIONS* |
| Crankcase Heater | Yes | Yes |
| Evaporator Freeze Thermostat | Yes | No |
| Winter Start Control | Yes** | No |
| TXV | Yes | Yes‡ |
| Hard Start Kit (Capacitor & Relay) | Yes | Yes |
| Low Ambient Kit (Pressure Switch) | Yes | No |
| Support Feet, 4" (102mm) tall | Recommended | No |

* Refer to the Long Line Application Guideline document.

** Can only be installed in conjunction with the Low Pressure Switch

‡ TXV required beyond 20 ft (6.1m) vertical separation or 50 ft (15.2) total length.

| ACCESSORIES | | |
|-------------|--|------------------------|
| Part Number | Description | Used On Model Size |
| NASA003CH | Crankcase Heater for Scroll Compressor (208/230 V) | 18, 24, 30, 36 |
| NASA001CH | Crankcase Heater for Scroll Compressor (208/230 V) | 42, 48, 60 * |
| NASA001SC | Start Component – PTC Device | ALL |
| NASA00201FS | Evaporator Freeze Thermostat | ALL |
| NASA403PS | Low Pressure Switch, AC, R-410A | ALL |
| NASA404PS | High Pressure Switch, AC or HP, R-410A | ALL |
| NASA401LS | Liquid Line Solenoid Valve, R-410A | ALL |
| NASA001TD | Time Delay Relay, Indoor Blower | ALL |
| NASA00201WS | Winter Start Control | ALL |
| NASA001AC | Anti-Cycle Timer (5 minute delay) | ALL |
| NASA005SC | Hard Start Kit (Capacitor & Relay) | 18 – 48 |
| NASA012SC | Hard Start Kit (Capacitor & Relay) | 60 |
| NASA401LA | Low Ambient Kit (Pressure Switch), R-410A | ALL |
| NASA001SF | Support Feet, 4" (102mm) tall, 5 included | ALL |
| NASA001SJ | Sound Jacket, Compressor | 18, 24, 30, 36, 42, 48 |
| NASA00101SJ | Sound Jacket, Compressor | 60 |
| NAEA40501TX | TXV Kit, R-410A – for use with copper or tin fan coils | 18, 24, 30 |
| NAEA40601TX | TXV Kit, R-410A – for use with copper or tin fan coils | 36, 42 |
| NAEA40701TX | TXV Kit, R-410A – for use with copper or tin fan coils | 48, 60 |
| NAEB40501TX | TXV Kit, R-410A – for use with aluminum fan coils | 18, 24, 30 |
| NAEB40601TX | TXV Kit, R-410A – for use with aluminum fan coils | 36, 42 |
| NAEB40701TX | TXV Kit, R-410A – for use with aluminum fan coils | 48, 60 |

* Some models may be factory installed.

