



QuietCO₂OL

QuietCO₂OL

Quiet & Environmentally Sustainable CO₂ Condensing Unit



QuietCOOL₂

Complete MT and LT range of cooling capacity

Medium Temperature

	QUIETCO ₂ OL MT30	QUIETCO ₂ OL MT45	QUIETCO ₂ OL MT67	QUIETCO ₂ OL MT100
Refrigerant	R744 (CO ₂)			
Size	T1	T1	T1	T2
Nominale capacity (kW)*	2,25	3,17	5,02	6,82
Minimum capacity (kW)*	0,8	1,13	1,79	2,43
Maximum capacity (kW)*	3,21	4,52	7,18	9,74

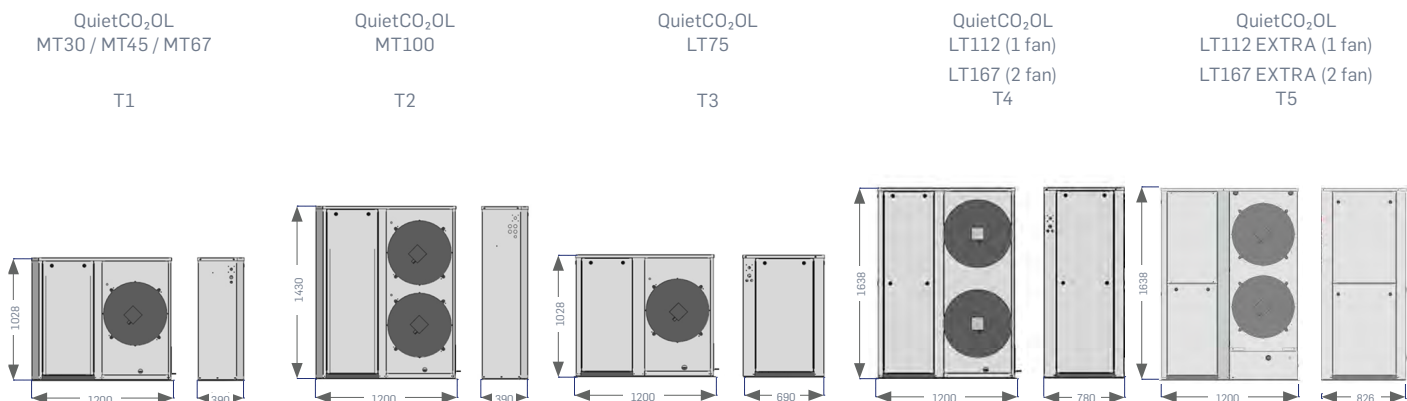
Nominal capacity : Evaporating temperature -8 °C / Ambient température +32 °C

Low Temperature

	QUIETCO ₂ OL LT75	QUIETCO ₂ OL LT112	QUIETCO ₂ OL LT167
Refrigerant	R744 (CO ₂)		
Size	T3	T4/T5	T4/T5
Nominale capacity (kW)*	2,04	3,2	4,54
Minimum capacity (kW)*	1,31	2,0	2,92
Maximum capacity (kW)*	2,92	4,64	6,48

Nominal capacity : Evaporating temperature -32 °C / Ambient température +32 °C

Five different sizes available



Carrier reserves the right to change certain information and specifications contained in this document at any time and without prior notice. Since standards, specifications and designs are subject to occasional change, please ask for confirmation of the information given in this publication

www.carrier-refrigeration.com

