

LIFE SAFETY & INCIDENT MANAGEMENT

# Hazardous Location Horns and Sirens

5522D, 5523D, 5524D, 5525D



## Overview

EDWARDS hazardous location horns and sirens are extremely high decibel, high-performance signaling diode polarized appliances intended for fire alarm and life safety applications. Signals are solid-state with no moving parts or contacts to wear out. They require no maintenance or lubrication. The signals operate with very low current consumption and do not require extra current on start-up.

## Standard Features

- Diode polarized for field wiring supervision
- High dB output
- Low current draw
- Corrosion-resistant heat flowed epoxy finish
- Swivel-adjustable mounting

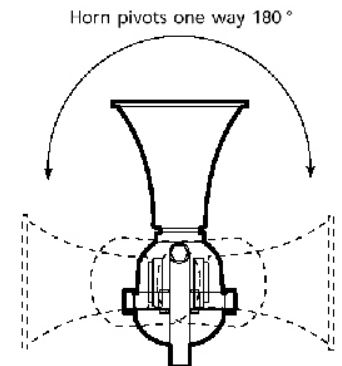
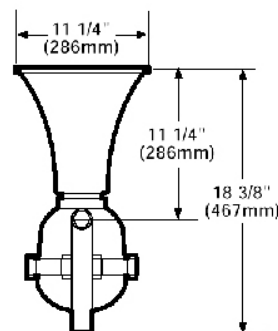
## Application

Hazardous location horns and sirens are suitable for many locations including mines, granaries, flour mills, tankers, refineries, laboratories and other applications. They can be used where standard bells or horns are not satisfactory, particularly in areas of high noise levels. 5522D, 5523D, 5524D and 5525D signals are for indoor applications only and are not weatherproof.

## Installation

Bolts through the flange on the aluminum alloy casting are epoxy-sealed to prevent disassembly or tampering. Signals mount on any solid surface using three bolts and may be swivelled through 180 degrees horizontally or 180 degrees vertically, depending on the orientation of the mounting yoke. The housing and trumpet are finished with a metallic gray enamel.

All wiring is made to tagged 30-inch (760mm) wire leads. Each unit is equipped with a sealed, threaded ½ inch fitting.





LIFE SAFETY & INCIDENT MANAGEMENT

**Contact us...**

Email: [edwards.fire@fs.utc.com](mailto:edwards.fire@fs.utc.com)  
 Web: [edwards-fire.com](http://edwards-fire.com)

1016 Corporate Park Drive  
 Mebane, NC 27302

EDWARDS is a registered mark in the United States and other countries.

© 2018 United Technologies Corporation. All rights reserved.

## Specifications

Catalog Number	5522D-AW	5523D-AW	5524D-AW	5525D-AW
Output	Horn	Siren	Horn	Siren
Sound Characteristic	Predominant 1.1 KHz (Suitable for Coded signals)	Rises and falls 600 to 1300 Hz every three seconds (Not suitable for coded signals)	Predominant 1.1 KHz (Suitable for Coded signals)	Rises and falls 600 to 1300 Hz every three seconds (Not suitable for coded signals)
Sound Output	109 dBA at 10 ft (3m)	105 dBA at 10 ft (3m)	109 dBA at 10 ft (3m)	105 dBA at 10 ft (3m)
Approvals	Class I, Division 1 & 2, Groups B, C and D		Class I, Division 1 & 2, Groups C and D; Class II, Division 1 & 2, Groups E, F and G; Class III	
Operating Voltage	20 - 24 Vdc			
Current Draw	350 mA			
Wiring Connections	30-inch (760 mm) tagged wire leads			
Finish	Corrosion-resistant heat flowed gray epoxy			

## Ordering Information

Cat. No.	Description	Ship Wt
5522D-AW	Horn: 24 Vdc; Class I, Division 1 & 2, Groups B, C and D	25 lb (11.5 kg)
5523D-AW	Siren: 24 Vdc; Class I, Division 1 & 2, Groups B, C and D	25 lb (11.5 kg)
5524D-AW	Horn: 24 Vdc; Class I, Division 1 & 2, Groups C and D; Class II, Division 1 & 2, Groups E, F and G; Class III	25 lb (11.5 kg)
5525D-AW	Siren: 24 Vdc; Class I, Division 1 & 2, Groups C and D; Class II, Division 1 & 2, Groups E, F and G; Class III	25 lb (11.5 kg)