



Smoke + Carbon Monoxide Alarm with smart features

2-in-1 Wi-Fi Alarm with App

Model P4010ACSCO-WF



Features & Benefits

Power Outage Backup:

Powered by 120V AC with a sealed, long-life lithium battery backup that lasts for 10 years.**

Double the Detection:

Alerts you to both smoke and carbon monoxide with one device.

Remote Notifications and Status:

The Kidde app allows you to receive mobile notifications, including detection of smoke or CO, end of unit life, lost internet connection, and easily check the status of your alarm from anywhere, anytime.

Smart Hush® and Test:

Use the Kidde app to easily Smart Hush false alarms or test the alarm from your mobile phone. This feature is only available on the Wi-Fi alarm. Mobile app and alarm must be connected to the same Wi-Fi network.

Simple Installation and Setup:

Scan QR code on the Quick Start Guide to access easy-to-follow in-app instructions.

Smart Device Connectivity:

Compatible with Google Assistant, Amazon Alexa, Android, and iPhone.*

Voice Alert:

Announces "Fire!" when smoke or fire hazard is present, "Warning! Carbon Monoxide!" when CO is detected, "Replace Alarm" for low battery, and "Replace alarm, press button to temporarily silence" at end of unit life.

⚠ WARNING: Mobile alert services are ancillary to the product and for informational purposes only. They are not intended or suitable for life safety or critical purposes nor do these services take the place of third-party life safety monitoring services. This product's smartphone and tablet notifications require a stable Wi-Fi connection, and are only as reliable as your home Wi-Fi network.

**10-year limited warranty on alarm. Not a battery performance claim.

Wi-Fi enabled:

Receive notifications 24/7 using the Kidde app

2-in-1 Smoke & Carbon Monoxide Alarm:

Provides alerts for both smoke & CO gas

Simple Setup:

Easily add alarms by scanning the QR code on the product

Description

The Kidde Smoke + Carbon Monoxide Alarm with smart features gives you the capabilities you need to manage your home safety systems with confidence. Wi-Fi connectivity and integration with the Kidde app place real-time information on potential issues and alarm status at your fingertips. The app provides a smart, simple way to keep you in control and enhance protection for your home – even when you're not there. The alarm is also designed to work together with existing Kidde hardwire interconnected alarms. When an alarm in any room goes off – even if it's not your alarm with smart features – all alarms will sound and send a mobile notification. It's a new level of control – and it's all from a trusted leader in fire safety for more than 100 years.

Glowing LED Status Ring allows easy identification of current state of alarm.



Green:
Unit is Working



Amber:
Error



Red:
Danger Detected

Industry experts recommend specific locations for smoke alarms, such as every level and sleeping area of the dwelling. Industry experts also recommend a CO alarm be installed on each level of the home—ideally on any level with fuel burning appliances and outside of sleeping areas. See user guide for more location information and complete instructions.



Photoelectric
Technology

SIGNALING



LISTED



*AMAZON and ALEXA are trademarks of Amazon.com, Inc. or its affiliates. Google is a trademark of Google, LLC.

Leading authorities recommend that both ionization and photoelectric smoke alarms be installed to help ensure optimal detection of the various types of fires that can occur within the home. Ionization sensing alarms may detect invisible fire particles (associated with fast flaming fires) sooner than photoelectric alarms. Photoelectric sensing alarms may detect visible fire particles (associated with slow smoldering fires) sooner than ionization alarms.



Architectural and Engineering Specifications

The smoke and carbon monoxide alarm model shall be P4010ACSCO-WF or approved equal and is powered by a 120VAC, 60Hz source along with a lithium battery backup. The lithium battery shall be sealed in the unit to prevent removal and/or tampering. The unit shall incorporate a photoelectric smoke sensor and an electrochemical carbon monoxide sensor.

The smoke alarm can be installed on any standard single gang electrical box, up to a 4" octagon junction box, following the UL/Manufacturer's approved placement guidelines. The electrical connection (to the alarm) shall be made with a plug-in connector. The alarm shall incorporate an activation switch that can be engaged with a standard screwdriver to power on the alarm at startup, and deactivate the alarm at end of alarm life.

The P4010ACSCO-WF shall include a test button that will simulate fire and carbon monoxide conditions and cause the unit to go into alarm. This sequence tests the unit's electronics to ensure proper operation. A maximum of 24 Kidde devices can be interconnected in a multiple station arrangement. The interconnect system must not exceed the NFPA (National Fire Protection Association) limit of 18 initiating devices, of which 12 can be smoke alarms.

The unit shall have audible methods for warning of smoke or fire danger: a piezoelectric horn, rated at 85 decibels at 10 feet, and a voice warning. In a smoke incident, the horn will sound in the repetitive manner – three long beeps, a 1.5 second pause, three long beeps, repeating. In between, the unit will announce a voice warning, "Fire!" For a CO incident, the horn will sound in the repetitive manner - 4 quick beeps, voice message "Warning! Carbon Monoxide", 4 quick beeps. The red LED ring will flash in conjunction with the alarm sound.

The unit shall incorporate hardwired alarm interconnect capability, whereas when one interconnected unit sounds an alarm, all other compatible hardwired units will alarm. The unit shall also include Wi-Fi capabilities, allowing transmission of alarm and status notifications to a mobile device equipped with the Kidde app. A home Wi-Fi router and internet are required for Wi-Fi usage. Wi-Fi features only function with AC power applied to the unit, and when the unit and mobile device are connected to the same Wi-Fi network.

The alarm shall include an End of Unit Life alert, where ten years after initial power up the unit shall chirp two times every 30 seconds to indicate the alarm needs to be replaced. A voice warning will provide a "Replace alarm, press button to temporarily silence" message. This alert can be temporarily silenced in 24 hour increments for seven days.

The unit shall at a minimum meet the requirements of UL217, UL 2034, NFPA 72, The State of California Fire Marshal, NFPA101 (One and two family dwellings), Federal Housing Authority (FHA), Housing and Urban Development (HUD). The alarm shall be UL Listed and shall include a 10-year manufacturer's limited warranty.

CO alarm response times: 70ppm: within 60-240 min, 150ppm: within 10-50 min, 400ppm: within 4-15 min

⚠ WARNING: This product is intended for use in indoor residential locations. It is not designed to measure compliance with Occupational Safety and Health Administration (OSHA) commercial or industrial standards. This device is designed to protect individuals from acute effects of Carbon Monoxide exposure. It will not fully safeguard individuals with specific medical conditions. If in doubt, consult a medical practitioner. Individuals with medical problems may consider using warning devices which provide audible and visual signals for carbon monoxide concentrations under 30 ppm.

Ordering Information (Not for sale by individual unit)

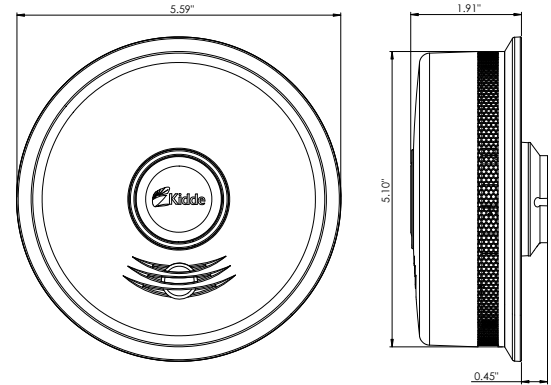
UPC	Ordering No:	I 2 of 5	Packaging	Master Pack Qty	Dimensions (w" x d" x h")	Weight
047871310425	21031042	10047871310422	Box	2	9.06 x 7.88 x 8.06	4 lbs



1016 Corporate Park Drive, Mebane, NC 27302
1-800-880-6788
www.Kidde.com



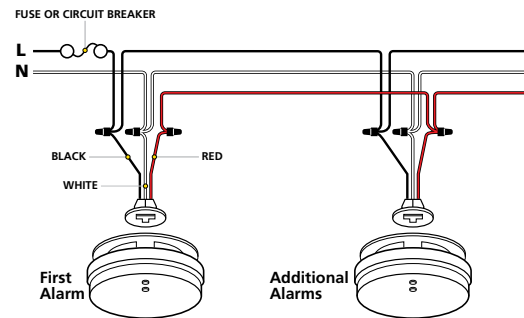
A Carrier Company
©2021 Carrier. All Rights Reserved.



Technical Specifications

Power Source:	120V AC 60Hz, 53 mA max Sealed Lithium Battery Backup
Audio Alarm:	85 dB at 10 ft.
Temp Range:	40 to 100°F / 4.4 to 37.8°C
Humidity Range:	10 to 95% relative humidity (RH), non-condensing
Smoke / CO Sensor:	Photoelectric, Electrochemical
Warranty:**	10 year limited
Model:	P4010ACSCO-WF
Wi-Fi:	802.11b/g/n (2.4GHz) Wi-Fi

Installation of Smoke Alarm



PDS-KL-P4010ACSCO-WF-1021

Distributed by: