



# 9 V Battery Operated Smoke Alarm



Part Number **0916KCA** Model **i9060CA**  
**10-Year Limited Warranty**

**Hush® Button**

**9V Battery Operated**

**Test Button**

**Ionization Technology**



## Description

The Kidde i9060CA is a 9V battery operated, single station smoke alarm. The i9060CA offers a Hush® button that temporarily silences nuisance alarms.

This smoke alarm uses ionization sensing technology. Ionization sensing alarms may detect invisible fire particles (associated with fast flaming fires) sooner than photoelectric alarms. Photoelectric sensing alarms may detect visible fire particles (associated with slow smoldering fires) sooner than ionization alarms. Leading authorities recommend that both ionization and photoelectric smoke alarms be installed to help ensure maximum detection of the various types of fires that can occur within the home.

## Features and Benefits

- **Hush® Button** – Temporarily silences nuisance alarms for approximately 8 minutes (smoke must be present before Hush® is activated).
- **Test Button** – Simultaneously tests the unit's electronic circuitry, horn, and battery function.
- **9V Battery Operated** – No wiring required. Provides continuous protection even during power outages.
- **Ionization Technology** – may detect invisible fire particles (associated with flaming fires) sooner than photoelectric alarms.
- **Tamper Resist Feature** – Tamper resist locking pin deters from tampering or theft.



## Architectural and Engineering Specifications

The smoke alarm shall be Kidde model i9060CA or approved equal. It shall be powered by a 9V battery. The temperature operation range shall be between 4.4°C and 37.8°C (40° and 100°F) and the humidity operating range shall be 10%–95% relative humidity.

The unit shall incorporate an ionization sensor with nominal sensitivity of 0.64 ± 1.35%/ft.

The alarm can be installed on the surface of any wall or ceiling following the UL/NFPA/Manufacturer’s recommended placement guidelines. The unit shall provide optional tamper resistance that deters removal of the unit from the wall or ceiling.

The alarm shall include a test button that will electronically simulate the presence of smoke and cause the unit to go into alarm. This sequence tests the unit’s electronics, battery and horn to ensure proper operation.

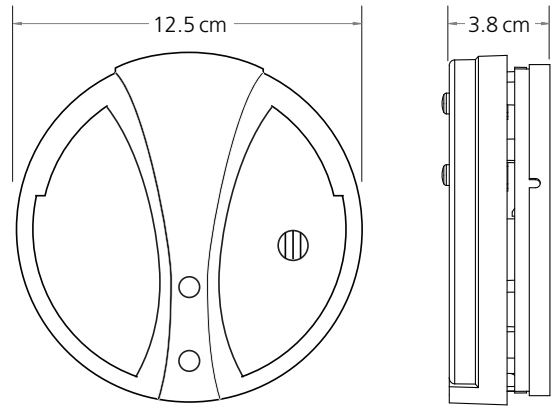
The unit shall include a piezoelectric horn that is rated at 85 decibels at 10 feet. The unit shall include a Hush® feature that silences the unit for approximately 8 minutes if a nuisance condition occurs. The unit shall also include a low battery warning utilizing a brief alarm chirp every 30-40 seconds for a minimum of seven (7) days.

The unit shall incorporate a red LED indicator (located under the Test button) that will flash every 40 seconds to indicate that the smoke alarm is receiving power. When products of combustion are sensed, the unit sounds the alarm, and the red LED will flash every 2 seconds, until the air is cleared.

The unit shall at a minimum meet the requirements of CAN/ULC-S531. It also shall include a 10-year manufacturer’s limited warranty.

## Technical Specifications

<b>Power Source:</b>	9V battery
<b>Sensor:</b>	ionization
<b>Audio Alarm:</b>	85 dB at 10 ft
<b>Temperature Range:</b>	4.4°C (40°F) to 37.8°C (100°F)
<b>Humidity Range:</b>	10%-95% relative humidity, non-condensing
<b>Unit Size:</b>	12.5 cm in diameter x 3.8 cm depth
<b>Unit Weight:</b>	0.14 kg
<b>Interconnects:</b>	No
<b>Warranty:</b>	10-year limited



## Ordering Information

UPC: 0-47871-40375-2

Part Number	12 of 5	Pack Quantity	Case Dimensions (w x d x h centimeters)	Case Weight	Case/Skid
0916KCA	400-47871-40375-0	8 units	45 cm x 21 cm x 30.5 cm	2.66 kg	36



Kidde Canada Inc.  
 P.O. Box 40, Apsley, ON K0L 1A0  
 1-800-880-6788  
 www.kiddecanada.com

**Distributed by:**