

# Strobe Lights

## Overview

Edwards 89 Series Xenon strobe beacons are bright, up to 150 candela, low current visual signals suitable for indoor use only. Two mounting options are available; 89STR for flush mounting and the 89SMSTR for surface mounting on the supplied single gang surface box. The housing is made of gray, engineered thermoplastic. Ideal for use where a distinctive visual signal is required for timing, scheduling, paging, process control, general alarm and warning applications.

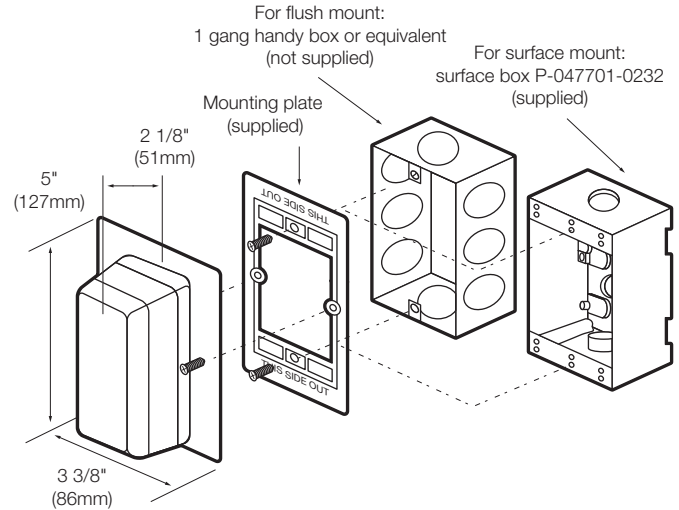
## Weights and Dimensions

Cat. No.	Approx. Net Weight (lb.)	Approx. Shipping Weight (lb.)
89STRA-AQ	0.34	0.60
89STRB-AQ	0.34	0.60
89STRC-AQ	0.34	0.60
89STRG-AQ	0.34	0.60
89STRR-AQ	0.34	0.60
89SMSTRA-AQ	0.91	1.20
89SMSTRB-AQ	0.91	1.20
89SMSTRC-AQ	0.91	1.20
89SMSTRG-AQ	0.91	1.20
89SMSTRR-AQ	0.91	1.20
89STRA-N5	0.34	0.60
89STRB-N5	0.34	0.60
89STRC-N5	0.34	0.60
89STRG-N5	0.34	0.60
89STRR-N5	0.34	0.60
89SMSTRA-N5	0.91	1.20
89SMSTRB-N5	0.91	1.20
89SMSTRC-N5	0.91	1.20
89SMSTRG-N5	0.91	1.20
89SMSTRR-N5	0.91	1.20

## Standard Features

- Xenon strobe light source
- Flash rate 60 fpm
- Low current draw
- Screw terminals for easy wiring
- Suitable for indoor applications only
- 85% relative humidity at 86°F (30°C)
- Operating temperature range: 32°F to 120°F (0°C to 49°C)

## Installation and Mounting



## Flashing Xenon

89 Series

CONTINUES... >>>

## Strobe Lights

»» CONTINUED...

## Ordering Information

Cat. No.	Description	Operating Voltage <sup>1</sup>	Current	Lens Colour	Mounting	Effective Light Output UL 1638
89STRA-AQ	Xenon strobe AC/DC	24V AC/DC	0.390 A	Amber	Flush	90 cd
89STRB-AQ		24V AC/DC	0.390 A	Blue	Flush	20 cd
89STRC-AQ		24V AC/DC	0.390 A	Clear	Flush	150 cd
89STRG-AQ		24V AC/DC	0.390 A	Green	Flush	70 cd
89STRR-AQ		24V AC/DC	0.390 A	Red	Flush	21 cd
89SMSTRA-AQ		24V AC/DC	0.390 A	Amber	Surface	90 cd
89SMSTRB-AQ		24V AC/DC	0.390 A	Blue	Surface	20 cd
89SMSTRC-AQ		24V AC/DC	0.390 A	Clear	Surface	150 cd
89SMSTRG-AQ		24V AC/DC	0.390 A	Green	Surface	70 cd
89SMSTRR-AQ		24V AC/DC	0.390 A	Red	Surface	21 cd
89STRA-N5	Xenon strobe AC	120V AC	0.115 A	Amber	Flush	90 cd
89STRB-N5		120V AC	0.115 A	Blue	Flush	20 cd
89STRC-N5		120V AC	0.115 A	Clear	Flush	150 cd
89STRG-N5		120V AC	0.115 A	Green	Flush	70 cd
89STRR-N5		120V AC	0.115 A	Red	Flush	21 cd
89SMSTRA-N5		120V AC	0.115 A	Amber	Surface	90 cd
89SMSTRB-N5		120V AC	0.115 A	Blue	Surface	20 cd
89SMSTRC-N5		120V AC	0.115 A	Clear	Surface	150 cd
89SMSTRG-N5		120V AC	0.115 A	Green	Surface	70 cd
89SMSTRR-N5		120V AC	0.115 A	Red	Surface	21 cd

<sup>1</sup>Operating voltage range: -20% to +10% of nominal voltage; AC voltage frequency is 50/60 Hz.