



10-Year Battery Worry-Free Smoke Alarm



Part Number **0910CA** Model **i9010CA**
10-Year Limited Warranty

10-year Sealed Lithium Battery

Hush® Button

Test/Reset Button

Ionization Technology



Description

The Kidde i9010CA is a 10-year, sealed battery, single station smoke alarm. The i9010CA will automatically activate when it is attached to the mounting bracket. There are no pull-tabs, no switches, everything is automatic. At the end of the alarm life, the unit will chirp, indicating the alarm is in need of replacement. The customer can use a simple tool such as a screwdriver to deactivate the unit, stopping the low battery chirp and making it safe for disposal.

The i9010CA offers a Hush® button that temporarily silences nuisance alarms. This smoke alarm uses ionization sensing technology. Ionization sensing alarms may detect invisible fire particles (associated with fast flaming fires) sooner than photoelectric alarms. Photoelectric sensing alarms may detect visible fire particles (associated with slow smoldering fires) sooner than ionization alarms. Leading authorities recommend that both ionization and photoelectric smoke alarms be installed to help ensure maximum detection of the various types of fires that can occur within the home.

Features and Benefits

- **10-Year Sealed Lithium Battery** – Eliminates the need to replace the battery. No battery to replace for the life of the alarm (10 years). Alarm automatically activates when the alarm is attached to mounting bracket.
- **Hush® Button** – Temporarily silences nuisance alarms for approximately 8 minutes (smoke must be present before Hush® is activated).
- **Test/Reset Button** – Tests the unit's circuit operation and resets memory after an alarm condition occurs.
- **Ionization Technology** – may detect invisible fire particles (associated with flaming fires) sooner than photoelectric alarms.
- **Tamper Resist Feature** – Unit will lock to mounting bracket to deter theft or tampering.
- **End of Life Notification** – This alarm has a low battery monitor circuit which will cause the alarm to “chirp” approximately every 40-45 seconds for a minimum of thirty (30) days at the end of the life of the alarm.



Architectural and Engineering Specifications

The smoke alarm shall be Kidde Model i9010CA or approved equal. It shall be powered by a non-replaceable, sealed lithium battery with a 10-year life. The temperature operating range shall be between 4.4°C and 37.8°C (40° and 100°F) and the humidity operating range shall be up to 95% relative humidity, non-condensing.

The unit shall incorporate an ionization sensor with sensitivity of 0.64 - 1.25%/ft.

The alarm can be installed on the surface of any wall or ceiling following the UL/NFPA/Manufacturer's recommended placement guidelines. The alarm shall incorporate an automatic activation feature that will activate the unit as soon as it is attached to the mounting bracket, no other steps are involved. The alarm shall provide optional tamper resistance that locks the unit to the mounting bracket and deters removal of the unit from the wall or ceiling.

The alarm shall include a test button that will electronically simulate the presence of smoke and cause the unit to go into alarm. This sequence tests the unit's electronics to ensure proper operation.

The unit shall include a piezoelectric horn that is rated at 85 decibels at 10 feet. The unit shall include the Hush® button that silences the unit for approximately 8 minutes if a nuisance condition occurs. The red LED will flash slowly for 1 seconds every 8 seconds and will automatically reset itself. If the alarm is in the Hush mode and the condition that triggered the alarm persists, the alarm shall sound again to signal potential danger despite its presence in Hush Mode.

The unit shall incorporate one red LED to indicate the alarm's current status and mode operation. The red LED has four modes of operation:

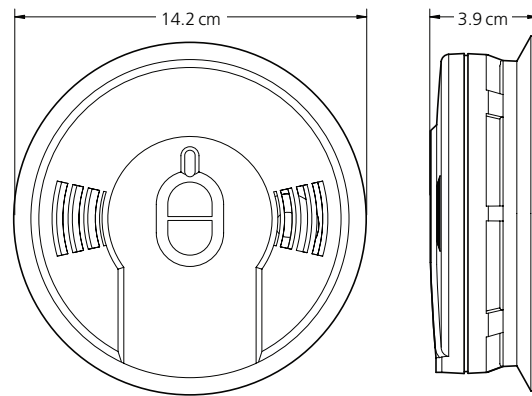
- **Standby Condition:** The red LED will flash every 40-45 seconds to indicate that the smoke alarm is operating properly.
- **Alarm Condition:** When the alarm senses products of combustion and goes into alarm, the red LED will flash one flash per second. The flashing LED and pulsating alarm will continue until the air is cleared.
- **Hush® Mode:** The red LED will flash for 1 second every 8 seconds, indicating the smoke alarm is in Hush® Mode.
- **Alarm Memory:** This unit features an "alarm memory" to inform you if the alarm has sounded since the Test button was last pressed. The alarm memory will cause the red LED to flash rapidly when the Test button is pressed. The alarm memory is reset when the Test button is released.

The unit shall include an End of Life Notification which indicates the alarm needs to be replaced. The unit will "chirp" once every 40-45 seconds for a minimum of 30 days at the end of the life of the alarm. The unit shall have a deactivation switch to disable it and make it safe for disposal.

The unit shall at a minimum meet the requirements of CAN/ULC-S531. It also shall include a 10-year manufacturer's limited warranty.

Technical Specifications

Power Source:	One sealed 3V lithium battery
Sensor:	ionization
Audio Alarm:	85 dB at 10 ft
Temperature Range:	4.4°C (40°F) to 37.8°C (100°F)
Humidity Range:	10%-95% relative humidity, non-condensing
Unit Size:	14.2 cm in diameter x 3.9 cm depth
Unit Weight:	0.18 kg
Interconnects:	No
Warranty:	10-year limited



Ordering Information

UPC: 0-47871-90152-4

Part Number	12 of 5	Pack Quantity	Case Dimensions (w x d x h centimeters)	Case Weight	Case/Skid
0910CA	200-47871-90152-8	6 units	20 cm x 44 cm x 27 cm	1.94 kg	36



Kidde Canada Inc.
P.O. Box 40, Apsley, ON K0L 1A0
1-800-880-6788
www.kiddecanada.com

Distributed by: