

Strobe Lights

Overview

Edwards 125 Class Xenon strobe beacons are UL and cUL listed signaling devices, available in two versions, normal light output and high light output. Both versions feature a corrosion resistant NEMA Type 3R and 4X enclosure and be panel or conduit mounted. Base material is gray or black, manufactured from a 33% glass filled nylon, providing a high resistance to heat and chemicals. The lens is made of shatter-resistant polycarbonate.

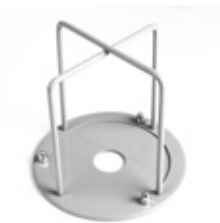
Weights and Dimensions

Cat. No.	Approx. Net Weight (lb.)	Approx. Shipping Weight (lb.)
125STRH*120A	0.51	0.6
125STRH*120AB	0.51	0.6
125STRN*120A	0.52	0.61
125STRN*240A	0.52	0.61
125STRN*120AB	0.52	0.61
125STRN*240AB	0.52	0.61
125STRN*1248D	0.52	0.61
125STRN*1248DB	0.52	0.61
125GRD	0.61	0.61
CBR	4.00	4.20
WBR	2.30	2.50

*Letter in this position designates lens color: A - amber, B - blue, C - clear, G - green or R - red

Accessories

Cat. No.	Description
125GRD	Protective wire guard
CBR	Corner mount bracket
WBR	Wall mount bracket



125GRD protective wire guard



CBR corner mount bracket

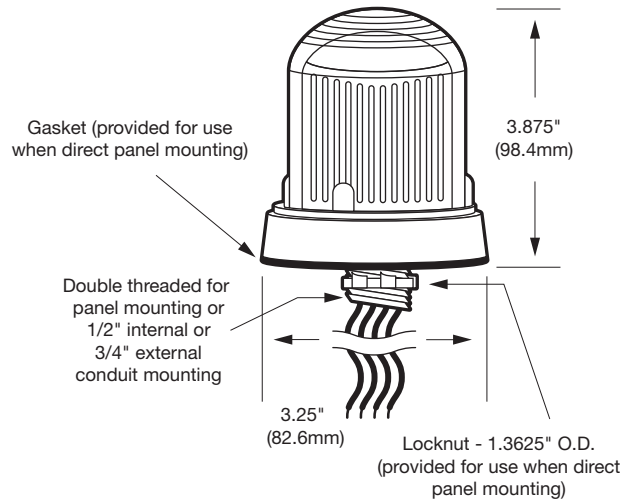


WBR wall mount bracket

Standard Features

- Xenon strobe light source
- Flash rate 65 fpm
- Shatter-resistant polycarbonate lens
- Gray or black glass filled nylon base
- Available in normal or high light output
- Suitable for indoor and outdoor applications
- For outdoor use, lens should face up
- Option for panel or conduit mounting
- NEMA Type 4X enclosure
- Operating temperature range: -31°F to 150°F (-35°C to 66°C)

Installation and Mounting



CONTINUES... >>>

Strobe Lights

»» CONTINUED...

Ordering Information

Cat. No.	Description	Operating Voltage	Current	Base Colour	Lens Colours	Replacement	
						Lens	Strobe Tube
125STRHA120A	High Output 300,000 peak candela	120VAC	0.120 A	Grey	Amber	125LA	91B-ST
125STRHB120A		120VAC	0.120 A	Grey	Blue	125LB	
125STRHC120A		120VAC	0.120 A	Grey	Clear	125LC	
125STRHG120A		120VAC	0.120 A	Grey	Green	125LG	
125STRHR120A		120VAC	0.120 A	Grey	Red	125LR	
125STRHA120AB		120VAC	0.120 A	Black	Amber	125LA	91B-ST
125STRHB120AB		120VAC	0.120 A	Black	Blue	125LB	
125STRHC120AB		120VAC	0.120 A	Black	Clear	125LC	
125STRHG120AB		120VAC	0.120 A	Black	Green	125LG	
125STRHR120AB		120VAC	0.120 A	Black	Red	125LR	
125STRNA120A	Normal Output 175,000 peak candela	120VAC	0.100 A	Grey	Amber	125LA	91B-ST
125STRNB120A		120VAC	0.100 A	Grey	Blue	125LB	
125STRNC120A		120VAC	0.100 A	Grey	Clear	125LC	
125STRNG120A		120VAC	0.100 A	Grey	Green	125LG	
125STRNR120A		120VAC	0.100 A	Grey	Red	125LR	
125STRNA120AB		120VAC	0.100 A	Black	Amber	125LA	91B-ST
125STRNB120AB		120VAC	0.100 A	Black	Blue	125LB	
125STRNC120AB		120VAC	0.100 A	Black	Clear	125LC	
125STRNG120AB		120VAC	0.100 A	Black	Green	125LG	
125STRNR120AB		120VAC	0.100 A	Black	Red	125LR	
125STRNA240A		240VAC	0.050 A	Grey	Amber	125LA	91B-ST
125STRNB240A		240VAC	0.050 A	Grey	Blue	125LB	
125STRNC240A		240VAC	0.050 A	Grey	Clear	125LC	
125STRNG240A		240VAC	0.050 A	Grey	Green	125LG	
125STRNR240A		240VAC	0.050 A	Grey	Red	125LR	
125STRNA240AB		240VAC	0.050 A	Black	Amber	125LA	91B-ST
125STRNB240AB		240VAC	0.050 A	Black	Blue	125LB	
125STRNC240AB		240VAC	0.050 A	Black	Clear	125LC	
125STRNG240AB		240VAC	0.050 A	Black	Green	125LG	
125STRNR240AB		240VAC	0.050 A	Black	Red	125LR	
125STRNA1248D	Normal Output 175,000 peak candela	12-48Vdc	0.350 A	Grey	Amber	125LA	114-ST
125STRNB1248D		12-48Vdc	0.350 A	Grey	Blue	125LB	
125STRNC1248D		12-48Vdc	0.350 A	Grey	Clear	125LC	
125STRNG1248D		12-48Vdc	0.350 A	Grey	Green	125LG	
125STRNR1248D		12-48Vdc	0.350 A	Grey	Red	125LR	
125STRNA1248DB		12-48Vdc	0.350 A	Black	Amber	125LA	114-ST
125STRNB1248DB		12-48Vdc	0.350 A	Black	Blue	125LB	
125STRNC1248DB		12-48Vdc	0.350 A	Black	Clear	125LC	
125STRNG1248DB		12-48Vdc	0.350 A	Black	Green	125LG	
125STRNR1248DB		12-48Vdc	0.350 A	Black	Red	125LR	

¹AC voltage frequency is 50/60 Hz

