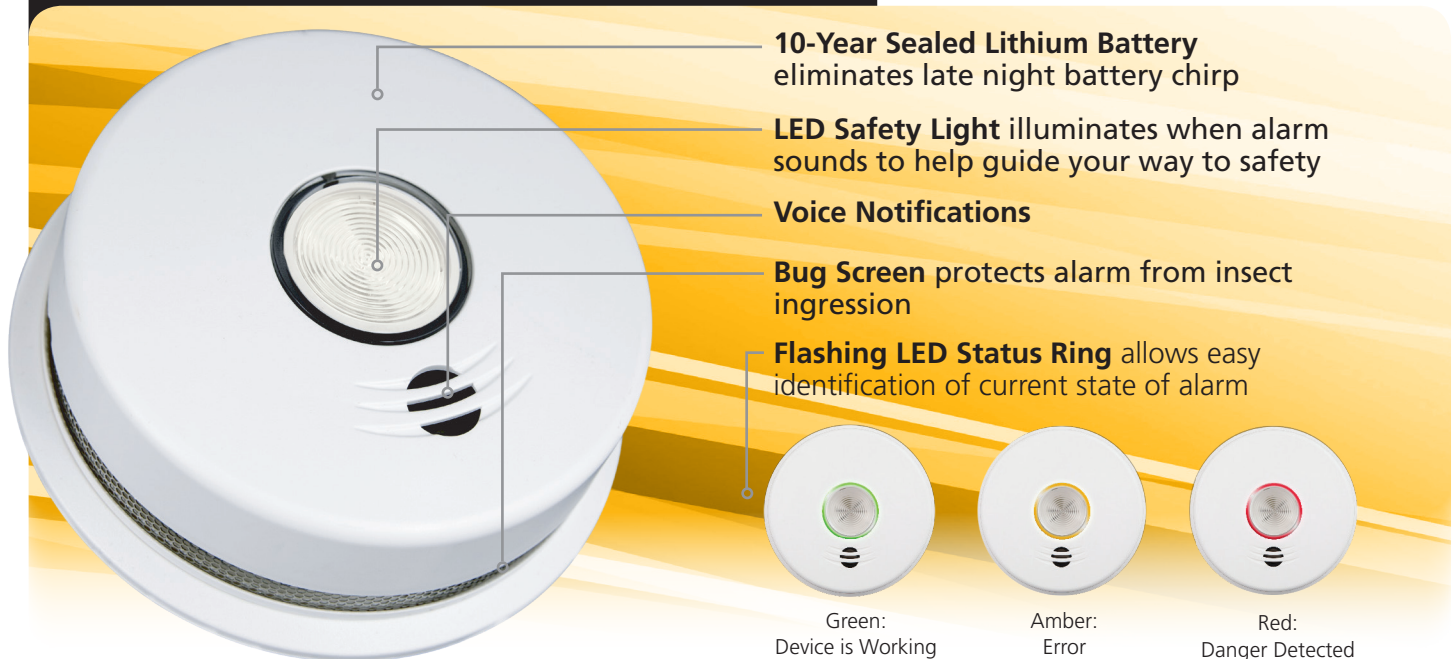




10-Year Battery Operated Wireless Talking Smoke Alarm

with LED Safety Light

Part Number **P4010LDCS-WCA** Model **P4010LDCS-WCA**
10-Year Limited Warranty



Description

The P4010LDCS-WCA is a 10-year, sealed battery smoke alarm that features wireless interconnect capability, enhanced intelligibility for users and an LED safety light that illuminates when the alarm sounds to help guide your way to safety. The voice warning feature accompanies the 85dB tone during an alarm event, and helps reduce confusion with verbal announcements such as "Replace Alarm" at end of alarm life, and "Hush mode activated" when a nuisance alarm is silenced. The three color LED ring helps users quickly determine standby, alarm, or error mode of the alarm.

Kidde P4010 Series Alarms contain 10-year tamper proof batteries that eliminate the need for battery replacement, and ends worry over unauthorized removal. Users are further shielded from late night battery chirps by the unit's Ambient Light Sensing feature, which establishes a day/night cycle and prevents alarm chirping in dark conditions.

Wireless interconnect triggers each connected alarm in the network to sound once smoke or CO is detected, which can provide more time to react to a hazard. Kidde Wireless units can be joined easily with the touch of one button. Existing networks of interconnected alarms can be expanded with use of a single Kidde AC Wireless Alarm and additional compatible Kidde Wireless alarms, without the need for a wireless router.

Features and Benefits

- **Wireless Interconnect** – Proprietary radio signal joins multiple alarms together, so when one alarm sounds they all sound. User is alerted if an alarm loses connection to the network.
- **10-Year Sealed-in Lithium Battery** – No battery replacement required over the 10 year life of the alarm.
- **LED Safety Light** – Bright LEDs provide lighted escape path.
- **Photoelectric Sensor** – Smoke alarm contains advanced photoelectric sensor that may detect visible particles (associated with smoldering fires) sooner than ionization alarms.
- **Voice Notifications** – Unit announces "Fire!" and other alerts such as "Replace Alarm," which helps the user better understand the alarm status. Easily switch your language preference (English/French) at any time by pressing the Test button twice on ALL devices you wish to connect.
- **Alarm Locate Feature** – Quickly find initiating alarm by silencing other alarms in the network.
- **Multi-function One Button Design includes:**
 - **Hush® Feature** – Temporarily silences nuisance alarms for up to 10 minutes (smoke must be present before Hush® is activated). End of Unit Life and Network Error chirps can also be silenced.
 - **Test Feature** – Simultaneously tests the unit's electronics and verifies alarm operation.



Architectural and Engineering Specifications

The smoke alarm shall be Kidde model P4010LDCS-WCA or approved equal and is powered by non-replaceable lithium batteries with 10-year life. The lithium batteries shall be sealed in the unit to prevent removal and/or tampering. The temperature operating range shall be between 4.4°C (40°F) to 37.8°C (100°F) and the humidity operating range shall be up to 95% relative humidity, non-condensing.

The unit shall incorporate an photoelectric smoke sensor with nominal sensitivity of 2.32 ± 1.35 %/ft OBS.

The alarm can be installed on the surface of any wall or ceiling following the ULC/Manufacturer's approved placement guidelines. The alarm shall incorporate an activation switch that can be engaged with the included tool or screwdriver to power on the alarm at startup, and deactivate the alarm at end of alarm life.

The P4010LDCS-WCA shall include a test button that will simulate a fire condition and cause the unit to go into alarm. This sequence tests the unit's electronics to ensure proper operation. A maximum of 24 Kidde devices can be interconnected in a multiple station arrangement. The interconnect system must not exceed the limit of 18 initiating devices, of which 12 can be smoke alarms. With 18 initiating devices (smoke, heat, CO, etc), interconnected, it is still possible to interconnect 6 strobe lights and/or relay modules.

The unit shall have audible methods for warning of smoke or fire danger: a piezoelectric horn, rated at 85 decibels at 10 feet, and a voice warning. In an alarm, the horn will sound in the repetitive manner – three long beeps, a 1.5 second pause, three long beeps, repeating. In between, the unit will announce a voice warning, "Fire!". The red LED ring will flash in conjunction with the alarm sound, and the safety light will illuminate.

NOTE : This is not a carbon monoxide (CO) alarm, but will receive and transmit a CO alarm signal (with voice message) from an interconnected CO or combination smoke / CO alarm.

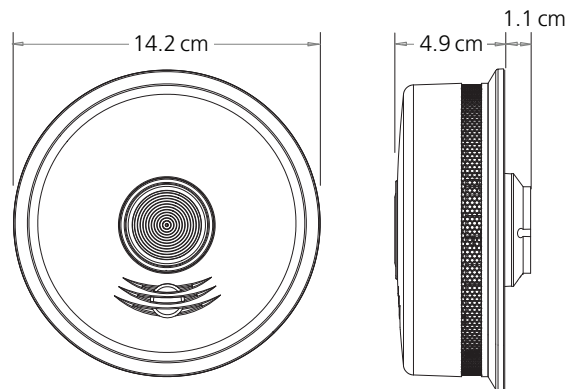
The unit shall incorporate wireless alarm interconnect capability, whereas when one interconnected unit sounds an alarm, all other compatible wireless units in the wireless alarm network will alarm. The maximum distance between wireless interconnect units is greater than 300 feet in open air. The alarm interconnect shall be supervised, where an audible and visual indication is given if the alarm loses connection to other units in the network.

The unit shall at a minimum meet the requirements of CAN/ULC-S531. It shall also include a 10-year manufacturer's limited warranty.

Leading authorities recommend that both ionization and photoelectric smoke alarms be installed to help ensure maximum detection of the various types of fires that can occur within the home. Ionization sensing alarms may detect invisible fire particles (associated with fast flaming fires) sooner than photoelectric alarms. Photoelectric sensing alarms may detect visible fire particles (associated with slow smoldering fires) sooner than ionization alarms.

Technical Specifications

Power Source:	Sealed 3V Lithium Battery
Sensor:	Photoelectric
Audio Alarm	85 dB at 10ft
Temperature Range:	4.4°C (40°F) to 37.8°C (100°F)
Humidity Range:	up to 95% relative humidity, non-condensing
Size:	14.2 cm in diameter x 4.9 cm depth
Weight:	0.27 kg
Interconnects:	Up to 24 Kidde devices (of which 18 can be initiating)
Warranty:	10-year limited



Compatible Wireless 10-Year Models

10-Year Sealed Battery Operated Alarms

P4010DCS-WCA: Wireless Smoke Alarm
P4010LDCS-WCA: Wireless Smoke Alarm with LED Safety Light
P4010DCSCO-WCA: Wireless Combination Smoke & CO Alarm

Hardwired Alarms with 10-Year Sealed Battery Backup

P4010ACS-WCA: Wireless Smoke Alarm
P4010LACS-WCA: Wireless Smoke Alarm with LED Safety Light
P4010ACSCO-WCA: Wireless Combination Smoke & CO Alarm

Ordering Information

UPC: 0-47871-27351-5

Part Number	12 of 5	Pack Quantity	Case Dimensions (w x d x h)	Case Weight	Case/Skid
P4010LACS-WCA	100-47871-27351-2	3 units	22.9 cm x 15.2 cm x 15.2 cm	1.54 kg	80



Kidde Canada Inc.
P.O. Box 40, Apsley, ON K0L 1A0
1-800-880-6788
www.kiddecanada.com

Distributed by: