

## Adverse Location

## Overview

The 105 Series beacons offers heavy duty, reliable visual signals designed for use in industrial applications or in applications where a corrosion resistant NEMA 4X enclosure is required.

The housing is manufactured from glass-reinforced thermoplastic polyester resin and incorporates brass hardware. The double fresnel lens is made of polycarbonate.

## Agency Approvals

- **CSA Certified**
- **UL Listed**
- **UL Listed NEMA 4X Enclosure**

## Light Sources

All light sources are supplied as component assemblies, ready to be attached to the selected mounting base. They include the lens, mounting ring gasket and, in the case of the high intensity strobe light source, an additional mounting collar.

The incandescent and strobe lights are available in six colors: red, amber, blue, green, magenta, and clear. The LED modules are available in four colors: red, amber, blue, and green. Double fresnel polycarbonate lenses provide a 360 degree non-shadowed light pattern.

## Standard Features

- **NEMA 4X, marine rated enclosures**
- **Approved for:**  
Class I Div 2, Groups A, B, C, & D; Class II, Div 2, Groups F & G, and Class III locations
- **Suitable for indoor or outdoor installation**  
-35°C to +66°C (-31°F to 150°F)
- **Corrosion resistant**
- **Six available light sources**
  - Steady-On Incandescent
  - Steady-On LED
  - Flashing Incandescent
  - Flashing LED
  - 300,000 Peak Candela Strobe
  - 800,000 Peak Candela, High Intensity Strobe
- **Two interchangeable mounting bases**
  - 3/4" (19mm) pipe mount attachment
  - outlet box attachment
- **Mounting bracket for wall mounted vertical installations**
- **Vibration resistant heavy duty industrial design**

## Steady-On models

The Steady-On Light module provides a constant visual signal. It is ideal for start/stop functions, on/off processes or continuous duty visual status indicating applications.

## Flashing models

The Flashing Incandescent Halogen Light commands immediate attention, and is ideal for warning signal applications such as equipment malfunction.

## Strobe models

The strobe is ideal for high ambient light areas. The lights are available either in a 3 Joule (300,000 Peak Candela) strobe or a high intensity 8 Joule (800,000 Peak Candela) strobe.



CONTINUES... &gt;&gt;&gt;

## AdaptaBeacon® Industrial Beacons

105 Series



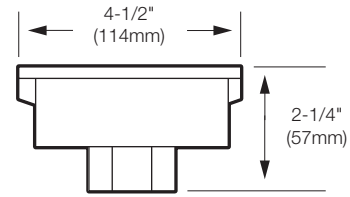
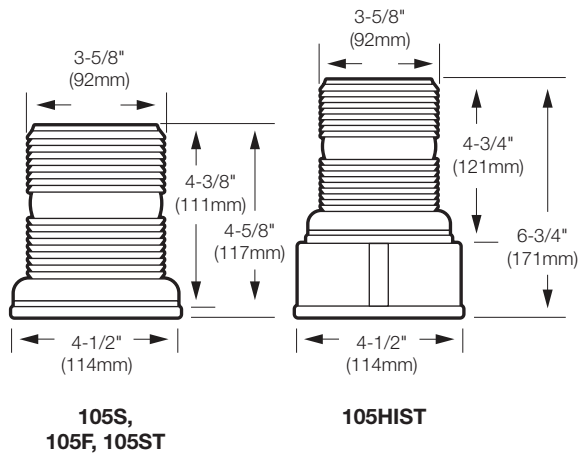
# Adverse Location

»» CONTINUED...

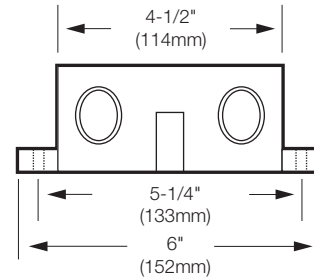
## Installation and Mounting

The units can be mounted on 3/4" (19mm) NPT conduit or on the 105BM mounting bracket in nonhazardous dust and weatherproof applications. For indoor applications, may be vertically mounted with lenses facing up or down. For weatherproof installation, unit must be mounted vertically with lens facing up.

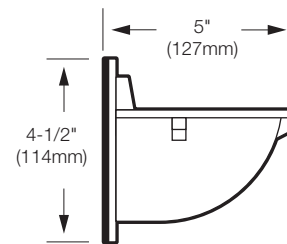
Three interchangeable mounting bases are available for use with the selected light source: -The No. 105PM pendent cap with 3/4" (19mm) thread hub is used for pendent mounting. - The No. 105BX Mounting Box includes four 3/4" (19mm) threaded hubs and two external mounting feet and is suitable for direct ceiling mounting. - For wall mounting, the No. 105BM Mounting Bracket is used with the No. 105BX outlet box.



**105 Pipe Mount Attachment**



**105BX Outlet Box Attachment**



**105BM Mounting Bracket**  
(use with 105BX)

**Note:** All beacons require 105PM or 105BX attachment

## Ordering Information

Cat. No.	Module Type	Lamp Ratings	Voltage	Current
105XBRM(+24D	Steady-On /flashing LED	148,000 hours <sup>1,2</sup>	24Vdc	0.251A
105XBRM (+)120A	Steady-On /flashing LED	148,000 hours <sup>1,2</sup>	120VAC	0.108A
105SINH**-G1	Steady-On halogen	20W, 226 lumens, 20,000 hours <sup>1,2</sup>	24Vdc	0.8A
105SINH**-G5	Steady-On halogen	20W, 226 lumens, 20,000 hours <sup>1,2</sup>	24VAC	0.8A
105SINH**-N5	Steady-On halogen	25W, 175 lumens, 20,000 hours <sup>1,2</sup>	120VAC	0.2A
105FINH**-G1	Flashing halogen	20W, 226 lumens, 20,000 hours <sup>1,2</sup>	24Vdc	0.8A
105FINH**-G5	Flashing halogen	20W, 226 lumens, 20,000 hours <sup>1,2</sup>	24VAC	0.8A
105FINH**-N5	Flashing halogen	25W, 175 lumens, 20,000 hours <sup>1,2</sup>	120VAC	0.2A
105ST**-G1	3 joule strobe	300,000 peak candela, 3,000 hours <sup>3</sup>	24Vdc	0.3A
105ST**-N5	3 joule strobe	300,000 peak candela, 3,000 hours <sup>3</sup>	120VAC	0.1A
105ST**-R5	3 joule strobe	300,000 peak candela, 3,000 hours <sup>3</sup>	240VAC	0.02A
105HIST**-N5	High intensity 8 joule strobe	800,000 peak candela, 3,000 hours <sup>3</sup>	120VAC	0.1A
105HIST**-R5	High intensity 8 joule strobe	800,000 peak candela, 3,000 hours <sup>3</sup>	240VAC	0.05A

\*Lens and light source (LED) color: A - amber, B - blue, G - green, R - red.

\*\*Lens color: A - amber, B - blue, C - clear, G - green, M - magenta, R - red.

1. At nominal operating voltage.

2. Projected lamp life based on manufacturer's calculated lamp life @ 65 fpm and 50% duty cycle.

3. Strobe tube life @ operating power to 75% efficiency