



LIFE SAFETY & INCIDENT MANAGEMENT

Weatherproof and Explosionproof Manual Stations

MPSR Series



Overview

MPSR Series manual pull stations from EDWARDS are noncoded fire alarm stations solidly constructed of die-cast material. All components are pre-painted or have plated surfaces to inhibit corrosion.

Weatherproof manual stations are rated for outdoor use. Single- and double-action MPSR models are available with either single pole (normally open) or double pole (double throw) alarm contacts. Depending on the model, access to the unit for resetting purposes is gained with either a keylock or hex screw.

Explosionproof/weatherproof manual stations are rated for Class I Group B (hydrogen) C & D, Class II Groups E, F, G, Class III environments, and are rated NEMA 4X for outdoor use. They are available in single or double action activation with key or hex operated reset.

All models feature terminal block connections and 10 amp contacts.

Standard Features

All models

- Solid corrosion-resistant construction
- Rated NEMA 4X for outdoor use
- Surface mount weatherproof backbox and gasket included
- Positive activation
- Terminals for wire connections

Weatherproof models

- Single and double action models
- Single or double pole contacts
- Key lock or hex screw reset

Explosionproof models

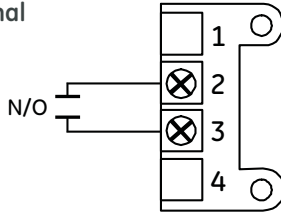
- Class I Group B, C & D, Class II Groups E, F, G, Class III
- Single-action models convertible to double-action operation
- Key lock reset
- Double pole contacts

Application

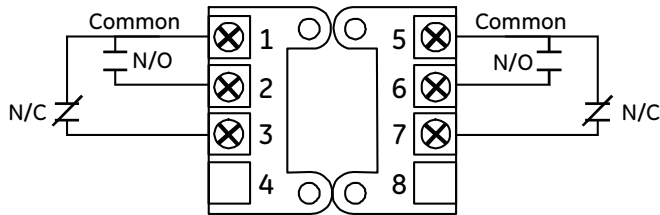
MPSR Series manual stations have 10 amp contacts. They may be used with or without a break glass rod. Rod replacement requires no special tools. Each manual station may be reset and locked using the standard key or hex key provided.

Wiring

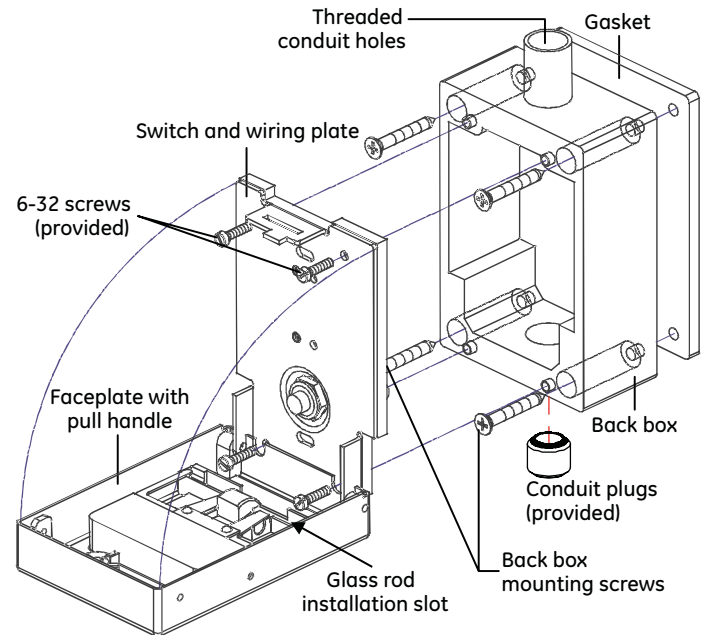
Two contact terminal block wiring



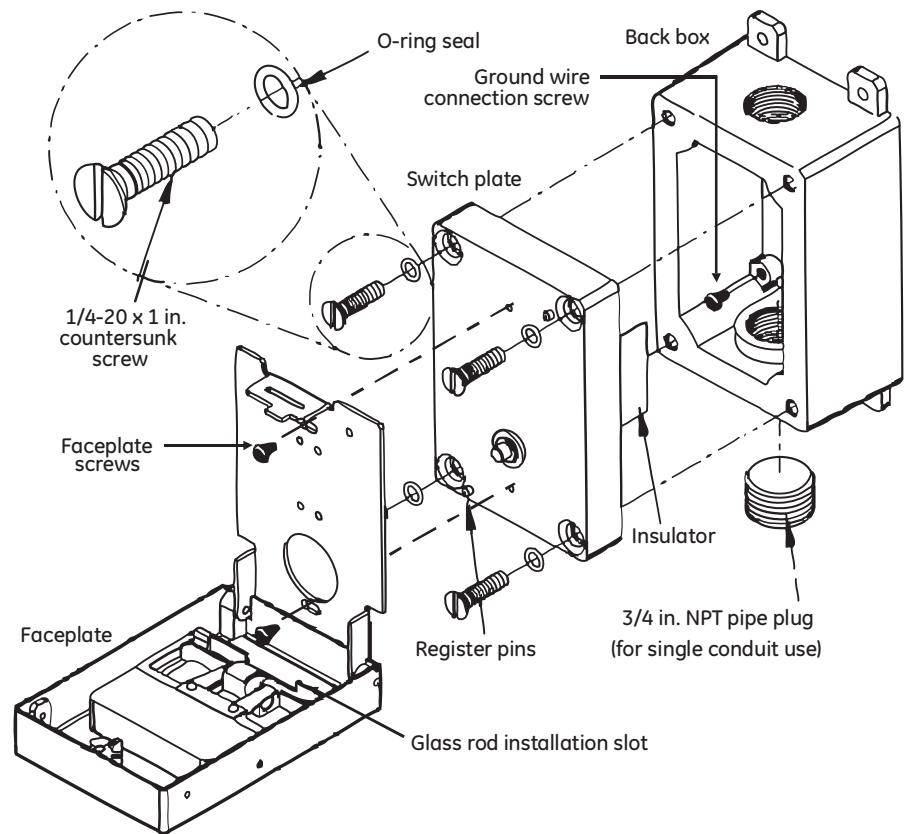
Six contact terminal block wiring



Assembly (weatherproof models)



Assembly (explosionproof models)

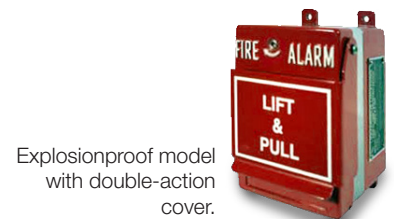


Specifications

	Weatherproof models	Explosionproof/weatherproof models
Ratings	NEMA: 4X outdoor	UL/CSA: Class I Group B, C & D, Class II Groups E, F, G, Class III NEMA: 4X outdoor
Dimensions		
Width	3.06 in (7.77 cm)	3.20 in (8.13 cm)
Height	4.75 in (12.07 cm)	4.75 in (12.07 cm)
Depth	3.0 in (7.62 cm)	3.70 in (9.40 cm)
Electrical		
Wiring	Two or six contact terminal block depending on model	Six contact terminal block
Wire size	14 to 18 AWG	14 to 18 AWG
Switch	10 amp @ 120 Vac	10 amp @ 120 Vac
Physical		
Mounting	Single gang weatherproof backbox (included)	Single gang explosionproof backbox (included)
Lock	Standard key or hex key	Standard key or hex screw
Operation	Single action or double action depending on model	Single-action (double-action with adapter cover)
Operating environment		
Temperature	-30 °F to 150 °F (-35 °C to 66 °C)	-30 °F to 150 °F (-35 °C to 66 °C)

Ordering Information

Model	Description	Ship Wt. lb (kg)
Weatherproof manual stations (weatherproof backbox included)		
MPSR1-SHTW-GE	Single-action, SPST, hex screw reset, terminal connections.	0.93 (0.42)
MPSR1-S45W-GE	Single-action, SPST, Cat 45 Key reset, terminal connections.	0.93 (0.42)
MPSR1-DHTW-GE	Single-action, DPDT, hex screw reset, terminal connections.	0.93 (0.42)
MPSR1-D45W-GE	Single-action, DPDT, Cat 45 Key reset, terminal connections.	0.93 (0.42)
MPSR2-SHTW-GE	Double-action, SPST, hex screw reset, terminal connections.	1.7 (0.76)
MPSR2-DHTW-GE	Double-action, DPDT, hex screw reset, terminal connections.	1.7 (0.76)
MPSR2-S45W-GE	Double-action, SPST, Cat 45 Key reset, terminal connections.	1.7 (0.76)
MPSR2-D45W-GE	Double-action, DPDT, Cat 45 Key reset, terminal connections.	1.7 (0.76)
MPSR2-SHTW-GE-NYW	Double-action, SPST, hex screw reset, terminal connections, NYC white stripe.	1.7 (0.76)
MPSR2-S45W-GE-NYW	Double-action, SPST, Cat 45 Key reset, terminal connections, NYC white stripe.	1.7 (0.76)
Explosionproof manual station (explosionproof backbox included)		
MPSR1-D45WX-GE	Single-action, DPDT, Cat 45 Key reset, terminal connections	0.93 (0.42)
MPSR-LP	Double action cover	0.77 (0.35)
Accessories		
MPSRGR10	Replacement glass rods for MPSR stations (10 pack).	
276-K1	Cat 45 Key (each)	



Explosionproof model with double-action cover.



LIFE SAFETY & INCIDENT MANAGEMENT

Contact us...

Email: edwards.fire@fs.utc.com
Web: edwards-fire.com

1016 Corporate Park Drive
Mebane, NC 27302

EDWARDS is a registered mark in the
United States and other countries.

© 2018 United Technologies Corporation.
All rights reserved.
