

Steady On and Flashing Lights

Overview

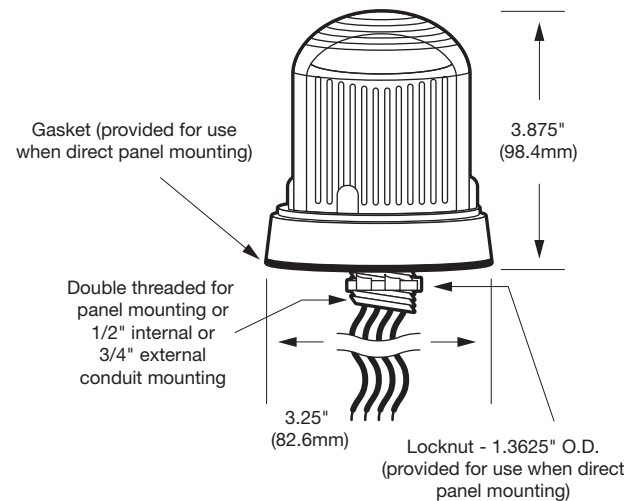
The Edwards 125 Class Halogen beacons are UL and cUL listed signaling devices, available in two versions, flashing and steady-on. Both versions feature a corrosion resistant Type 4X enclosure and can be panel or conduit mounted. The base is manufactured from a 33% glass filled nylon, providing high resistance to heat and high chemical resistivity. The lens is made of shatter resistant poly carbonate. Both the flashing and steady-on beacons are available with either a black or grey base, amber, blue, clear, green or red lens.

The 125 Class Halogen beacons can be mounted on 1/2" or 3/4" NPT conduit using a 1/2" internal or 3/4" external conduit hub that comes with the unit. It can also be panel-mounted using the mounting gasket provided with the unit. When panel-mounted the 125 Class Halogen, the surface and construction details of the panel must be taken into consideration to ensure the integrity of the outdoor, NEMA 4X rating is fully maintained.

Standard Features

- Available in 24Vdc, 24VAC or 120VAC
- Available in grey or black base
- Option for panel or conduit mounting
- Available in Flashing or Steady-On versions
- Available with amber, blue, clear, green or red lens
- -35°C to 66°C (-31°F to 150°F) operating temperature
- Protective wire guard available, Cat. No. 125GRD

Installation and Mounting



CONTINUES... >>>

Steady On and Flashing Lights

»» CONTINUED...

Ordering Information

Operation	Cat. No.	Base Colour	Lens Colour	Operating Voltage	Current	Repl. Lens	Repl. Lamp
Flashing	125HALF*24D	Grey	Amber, Blue, Clear, Green, Red	24Vdc	0.770 A	125L*	50LMP-9WH-D
	125HALF*24A	Grey	Amber, Blue, Clear, Green, Red	24VAC 50/60 Hz	0.770 A	125L*	50LMP-9WH-D
	125HALF*120A	Grey	Amber, Blue, Clear, Green, Red	120VAC 50/60 Hz	0.200 A	125L*	50LMP-12WH-D
	125HALF*24DB	Black	Amber, Blue, Clear, Green, Red	24Vdc	0.770 A	125L*	50LMP-9WH-D
	125HALF*24AB	Black	Amber, Blue, Clear, Green, Red	24VAC 50/60 Hz	0.770 A	125L*	50LMP-9WH-D
	125HALF*120AB	Black	Amber, Blue, Clear, Green, Red	120VAC 50/60 Hz	0.200 A	125L*	50LMP-12WH-D
Steady-on	125HALS*24D	Grey	Amber, Blue, Clear, Green, Red	24Vdc	0.770 A	125L*	50LMP-9WH-D
	125HALS*24A	Grey	Amber, Blue, Clear, Green, Red	24VAC 50/60 Hz	0.770 A	125L*	50LMP-9WH-D
	125HALS*120A	Grey	Amber, Blue, Clear, Green, Red	120VAC 50/60 Hz	0.200 A	125L*	50LMP-12WH-D
	125HALS*24DB	Black	Amber, Blue, Clear, Green, Red	24Vdc	0.770 A	125L*	50LMP-9WH-D
	125HALS*24AB	Black	Amber, Blue, Clear, Green, Red	24VAC 50/60 Hz	0.770 A	125L*	50LMP-9WH-D
	125HALS*120AB	Black	Amber, Blue, Clear, Green, Red	120VAC 50/60 Hz	0.200 A	125L*	50LMP-12WH-D

*Letter in this position indicates lens colour: A - Amber, B - Blue, C - Clear, G - Green, R - Red