



# 120V AC Smoke Alarm

## with Front-Loading 9V Battery Backup



Part Number **P1276CA** Model **i12060ACA**  
**10-Year Limited Warranty**

### 120V AC Direct Wire

- Interconnects with up to 24 devices

### Front-Loading Battery Door

- 9V Battery Backup

### Test/Hush® Button

### Ionization Technology



## Description

The Kidde i12060ACA is a 120 V AC, wire-in smoke alarm with front-loading 9V battery backup that can function as a stand alone unit or interconnect with up to 24 Kidde devices (of which 18 can be initiating). The Kidde i12060ACA provides continuous protection against smoke and fire hazards, even during power outages.

The front-loading battery door allows user to change the battery without removing the alarm from the mounting bracket making battery replacement easy and convenient.

This alarm uses ionization sensing technology. Ionization sensing alarms may detect invisible fire particles (associated with flaming fires) sooner than photoelectric alarms. Leading authorities recommend that both ionization and photoelectric smoke alarms be installed to help ensure maximum detection of the various types of fires that can occur within the home.

## Features and Benefits

- **Ionization Technology** – may detect invisible fire particles (associated with flaming fires) sooner than photoelectric alarms.
- **120V Interconnectable** – Will interconnect with up to 24 other devices (18 of which can be initiating), including smoke alarms (limit of 12), CO and heat alarms.
- **9V Front Loading Battery Backup** – Change the battery without the need to remove the unit from the ceiling, providing continuous protection in the case of a power outage.
- **Multi-function One Button Design includes:**
  - **Hush® Feature** – Temporarily silences nuisance alarms for approximately 8 minutes (smoke must be present before Hush® is activated).
  - **Test Feature** – Simultaneously tests the unit's electronics and verifies alarm operation.
- **Tamper Resistant** – Deters removal of the unit from the wall or ceiling and optional tamper resistant switch that prevents the battery door from being opened.



## Architectural and Engineering Specifications

The smoke alarm shall be Kidde Model i12060ACA or approved equal. It shall be powered by a 120 V AC, 60 Hz source along with a 9V battery backup. The temperature operation range shall be between 4.4°C and 37.8°C (40° and 100°F) and the humidity operating range shall be 10%–95% relative humidity.

The unit shall incorporate an ionization sensor with nominal sensitivity of 0.5–1.03%/ft.

The smoke alarm can be installed on any standard single gang electrical box or a 4" octagon junction box. The electrical connection (to the alarm) shall be made with a plug-in connector.

A maximum of 24 Kidde devices can be interconnected in a multiple station arrangement. The interconnect system must not exceed the NFPA (National Fire Protection Association) limit of 18 initiation devices, of which 12 can be smoke alarms. With 18 initiation devices (smoke, heat, CO, etc.) interconnected, it is still possible to interconnect 6 strobe lights and or relay modules.

The alarm shall provide optional tamper resistance that deters removal of the unit from the wall or ceiling and locks the battery door closed. No additional pieces shall be required to activate this feature.

The alarm shall include an easy access battery compartment that is opened and closed by pressing on the battery door. The 9V battery carrier will ensure proper battery backup protection by not allowing the battery door to close if the battery is placed in the unit incorrectly or if a battery is not present. The unit shall also provide an optional tamper resistant switch that will prevent the battery door from being opened.

The unit shall include a piezoelectric horn that is rated at 85 decibels at 10 feet. The unit shall include the Hush® feature that silences the unit for approximately 8 minutes if a nuisance condition occurs.

The unit shall incorporate red and green LED indicators. The green LED (when illuminated) indicates the presence of AC power. The red LED has four modes of operation:

- **Standby Condition:** The red LED will flash every 40 seconds to indicate that the smoke alarm is operating properly.
- **Alarm Condition:** When the alarm senses products of combustion and goes into alarm, the red LED will flash one flash per second. The flashing LED and pulsating alarm will continue until the air is cleared. When units are interconnected, only the red LED of the alarm that senses the smoke or is being tested (the originating unit) will flash. All other units in the interconnected system will sound an alarm but their red LED's will NOT flash.
- **Alarm Memory:** This smoke alarm is equipped with an alarm memory, which provides a visual indication when an alarm has been activated. The red LED will illuminate for about 1.5 seconds every 20 seconds to indicate the memory condition.
- **Hush® Mode:** The red LED will illuminate for 1.5 seconds every 10 seconds, indicating the smoke alarm is in the Hush® Mode.

The unit shall at a minimum meet the requirements of CAN/ULC-S531. It also shall include a 10-year manufacturer's limited warranty.

## Ordering Information

UPC: 0-47871-27694-3

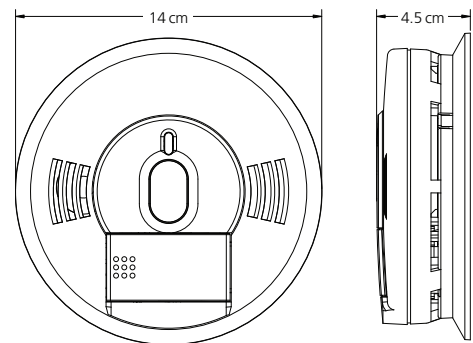
Part Number	12 of 5	Pack Quantity	Case Dimensions (w x d x h centimeters)	Case Weight	Case/Skid
P1276CA	100-47871-27694-7	6 units	16.5 cm x 34.5 cm x 16 cm	2.50 kg	126



Kidde Canada Inc.  
P.O. Box 40, Apsley, ON K0L 1A0  
1-800-880-6788  
www.kiddecanada.com

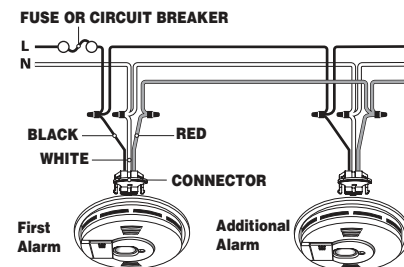
## Technical Specifications

<b>Power Source:</b>	120V AC, 60 Hz, 80 mA max per alarm 9V battery backup
<b>Sensor:</b>	Ionization
<b>Audio Alarm:</b>	85 dB at 10 ft
<b>Temperature Range:</b>	4.4°C (40°F) to 37.8°C (100°F)
<b>Humidity Range:</b>	10%-95% relative humidity, non-condensing
<b>Size:</b>	14 cm in diameter x 4.5 cm depth
<b>Weight:</b>	0.24 kg
<b>Wiring:</b>	Quick connect plug with 6" pigtails
<b>Interconnects:</b>	Up to 24 Kidde devices (of which 18 can be initiating)
<b>Warranty:</b>	10-year limited



## Installation of Alarm

The smoke alarm should be installed to comply with all local codes having jurisdiction in your area. Make certain all alarms are wired to a single, continuous (non-switched) power line, which is not protected by a ground fault interrupter. A maximum of 305 m (1000') of wire can be used in the interconnect system. Use standard CSA listed household wire as required by code.



**Distributed by:**