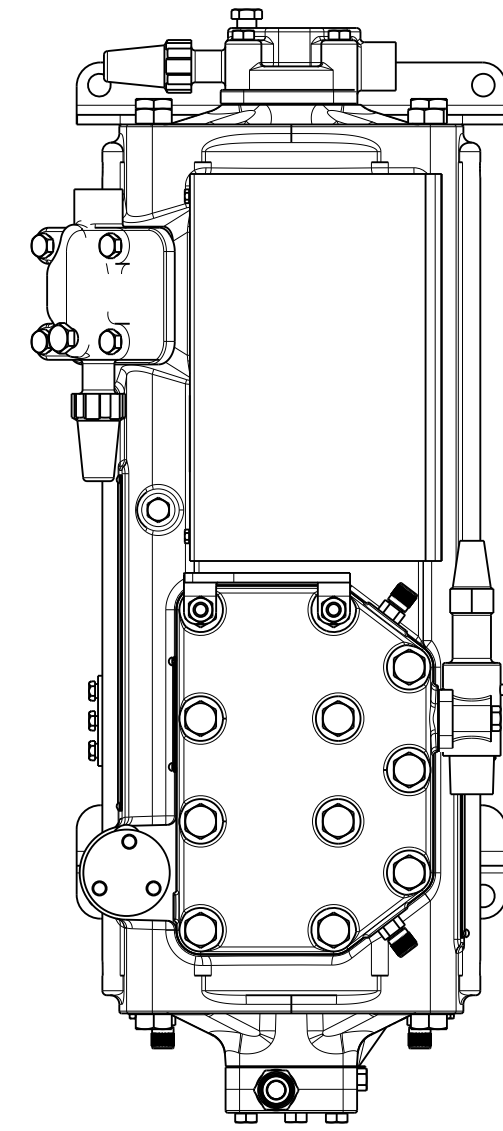


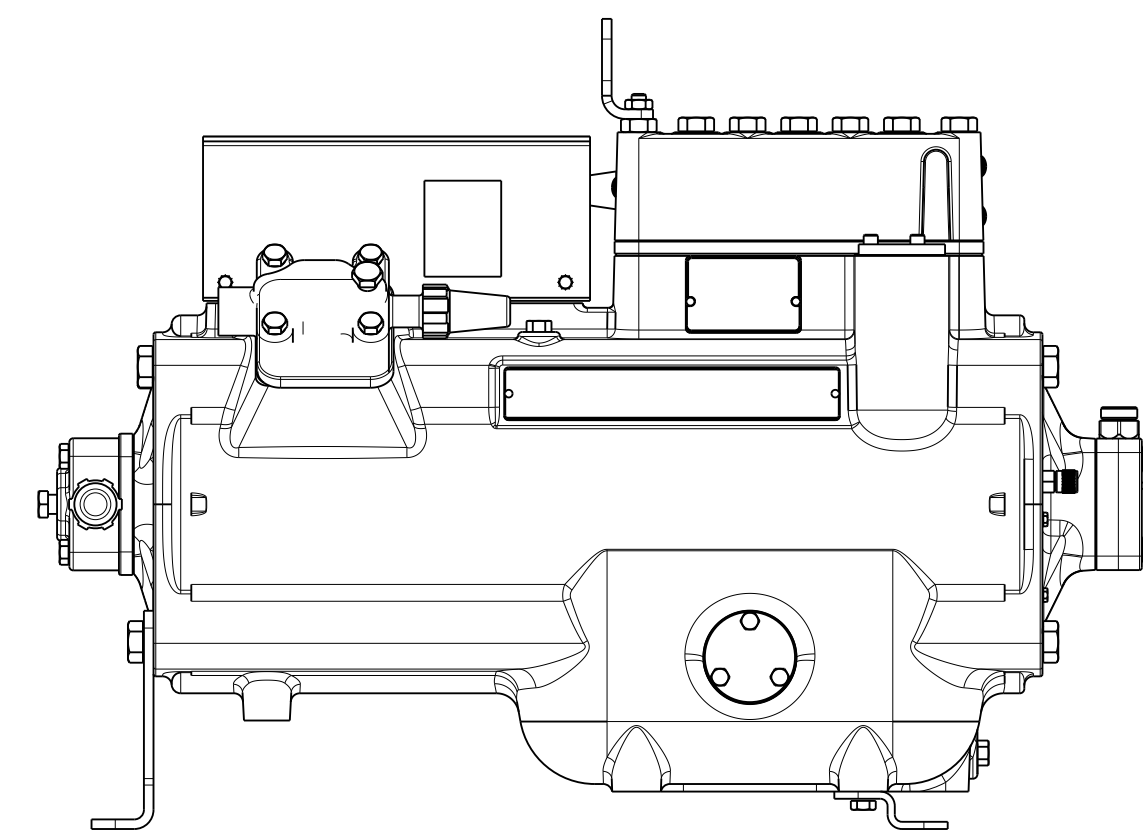
WITH SERVICE VALVES



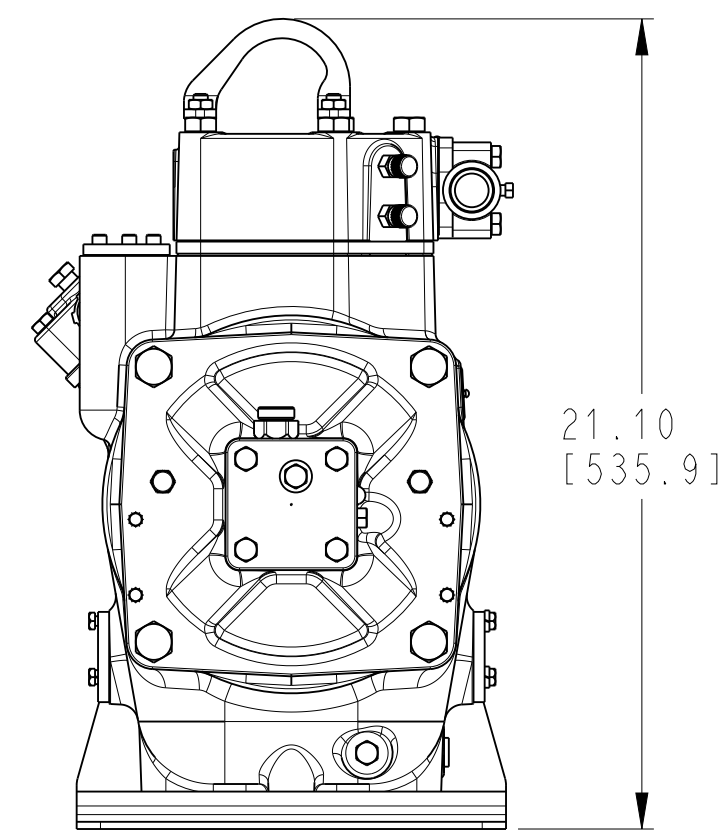
THIS DOCUMENT IS THE PROPERTY OF CARRIER CORPORATION AND IS DELIVERED UPON THE EXPRESS CONDITION THAT THE CONTENTS WILL NOT BE DISCLOSED OR USED WITHOUT CARRIER CORPORATION'S WRITTEN CONSENT. SUBMISSION OF THESE DRAWINGS OR DOCUMENTS DOES NOT CONSTITUTE PART PERFORMANCE OR ACCEPTANCE OF CONTRACT.



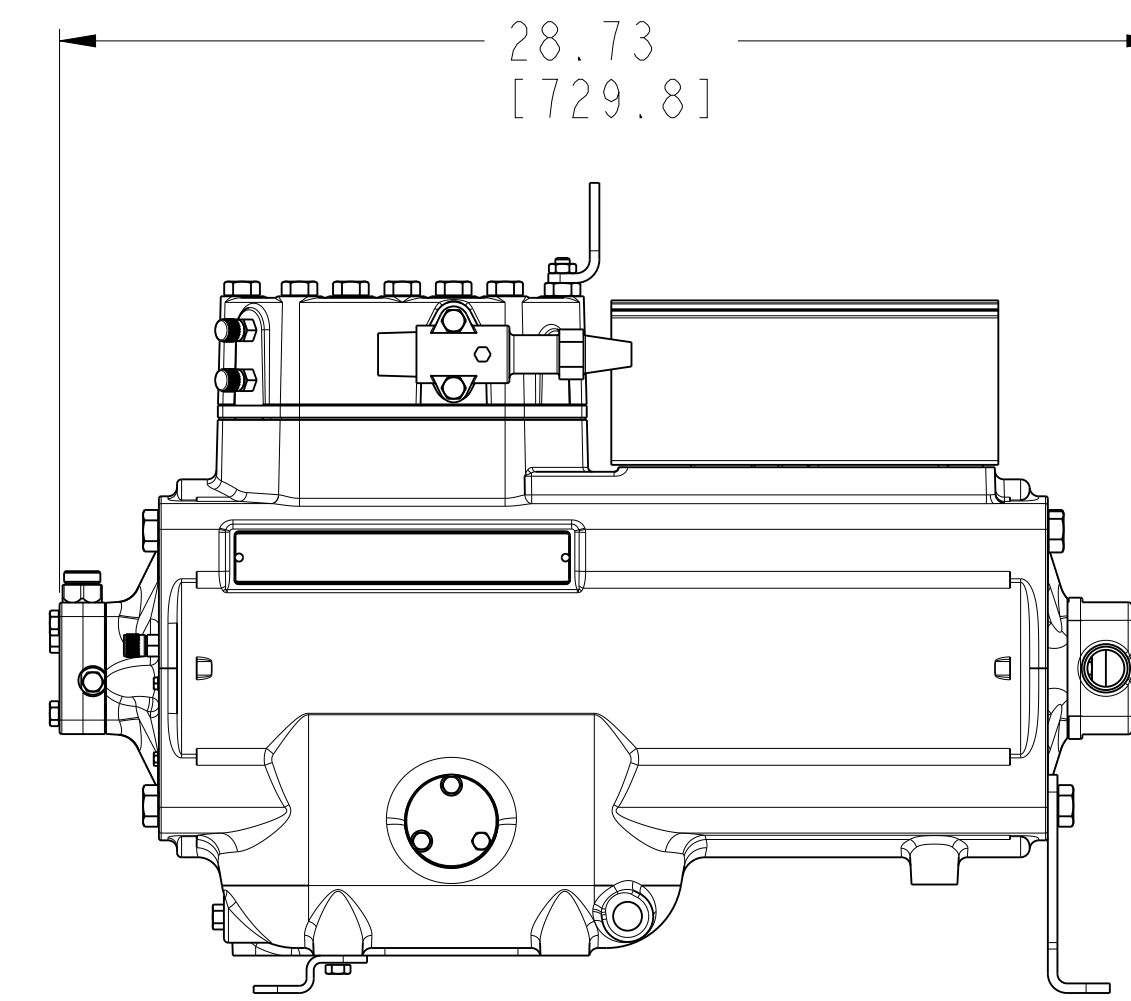
TOP VIEW



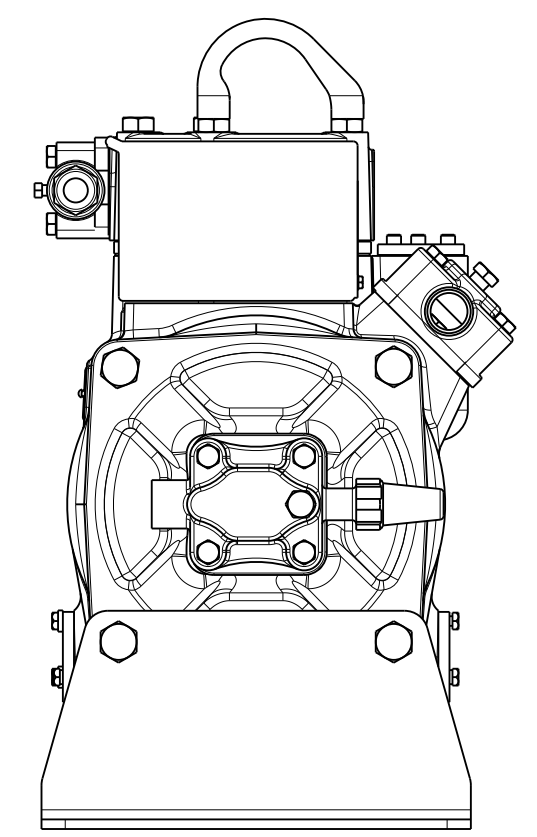
LEFT VIEW



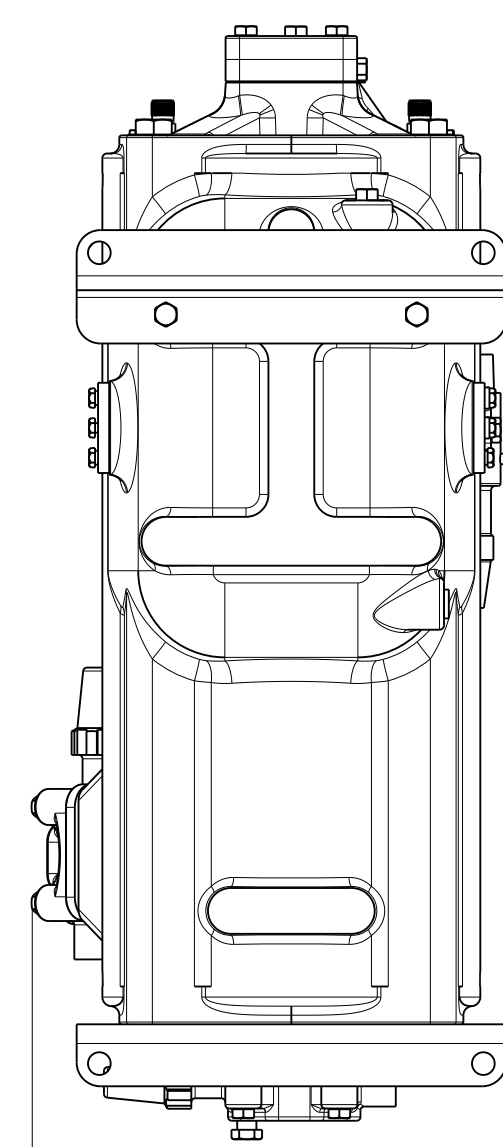
FRONT VIEW



RIGHT VIEW



BACK VIEW



BOTTOM VIEW

12.52
[318.0]

SCALE 1:5

ITC CLASSIFICATION U.S. ECCN:EAR99	DATE 12-26-2017	OUTLINE DRAWING	3MAEJ10CA210A1	REV -
---------------------------------------	--------------------	-----------------	----------------	----------