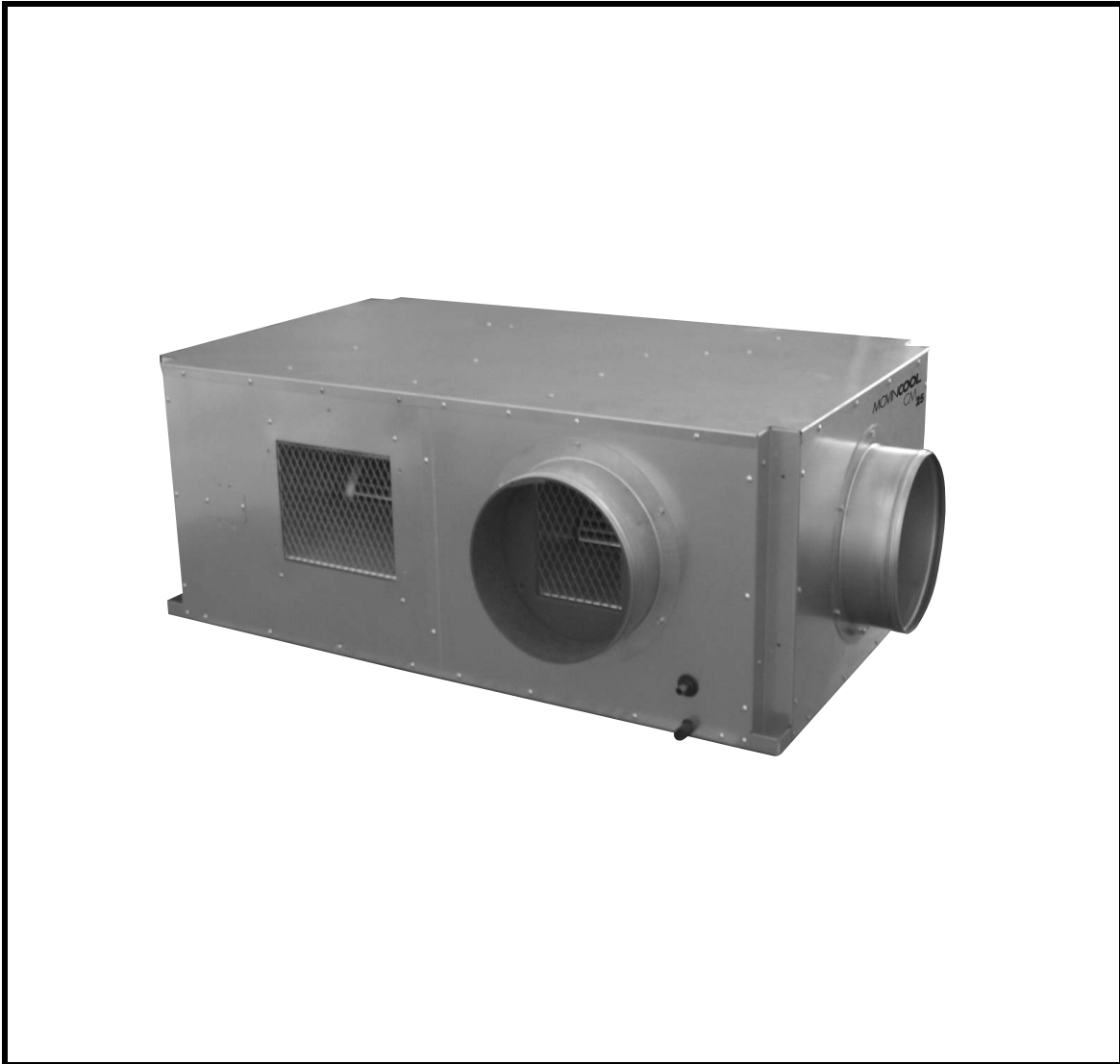


SPARE PARTS CATALOG

CM 25



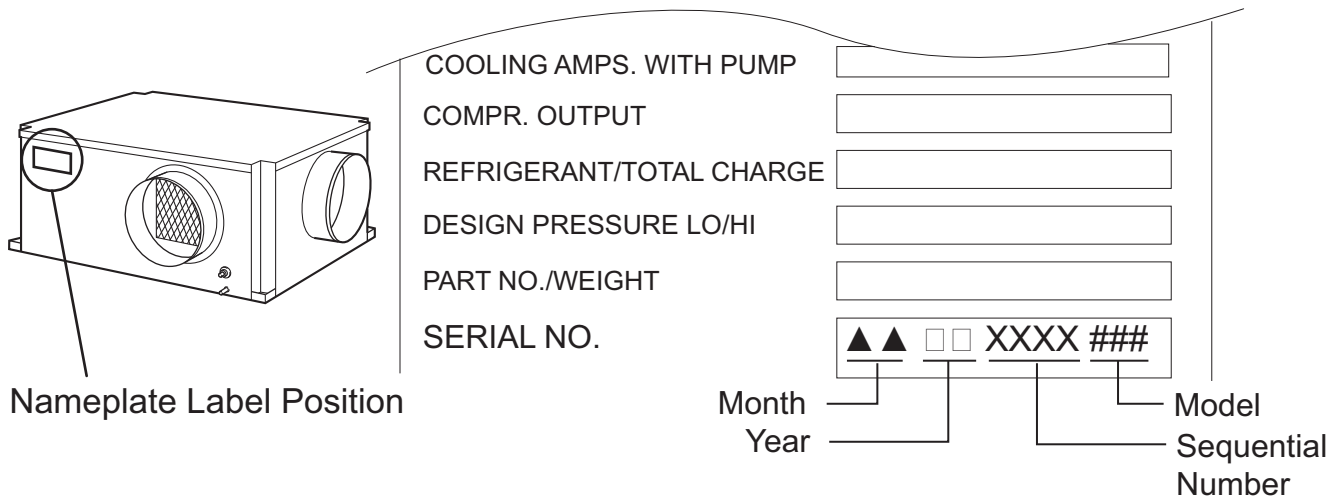
MOVINCOOL[®]
THE #1 SPOT COOLING SOLUTION

Table of Contents

No.	UNIT PART NUMBER	SERIAL NUMBER RANGE	REFRIGERANT	SECTION
1	484000-4210	1009XXXXC25 to Present (From October 2009 to Present)	R410A	Page 3 ~ 15 SP0077-04

SERIAL NUMBER LOCATION AND IDENTIFICATION

Nameplate Label



© 2016 DENSO PRODUCTS AND SERVICES AMERICAS, INC.

All rights reserved. This book may not be reproduced or copied, in whole or in part, without the written permission of the publisher. DENSO PRODUCTS AND SERVICES AMERICAS, INC. reserves the right to make changes without prior notice. MovinCool®, Office Pro® and SpotCool® are registered trademarks of DENSO Corporation.

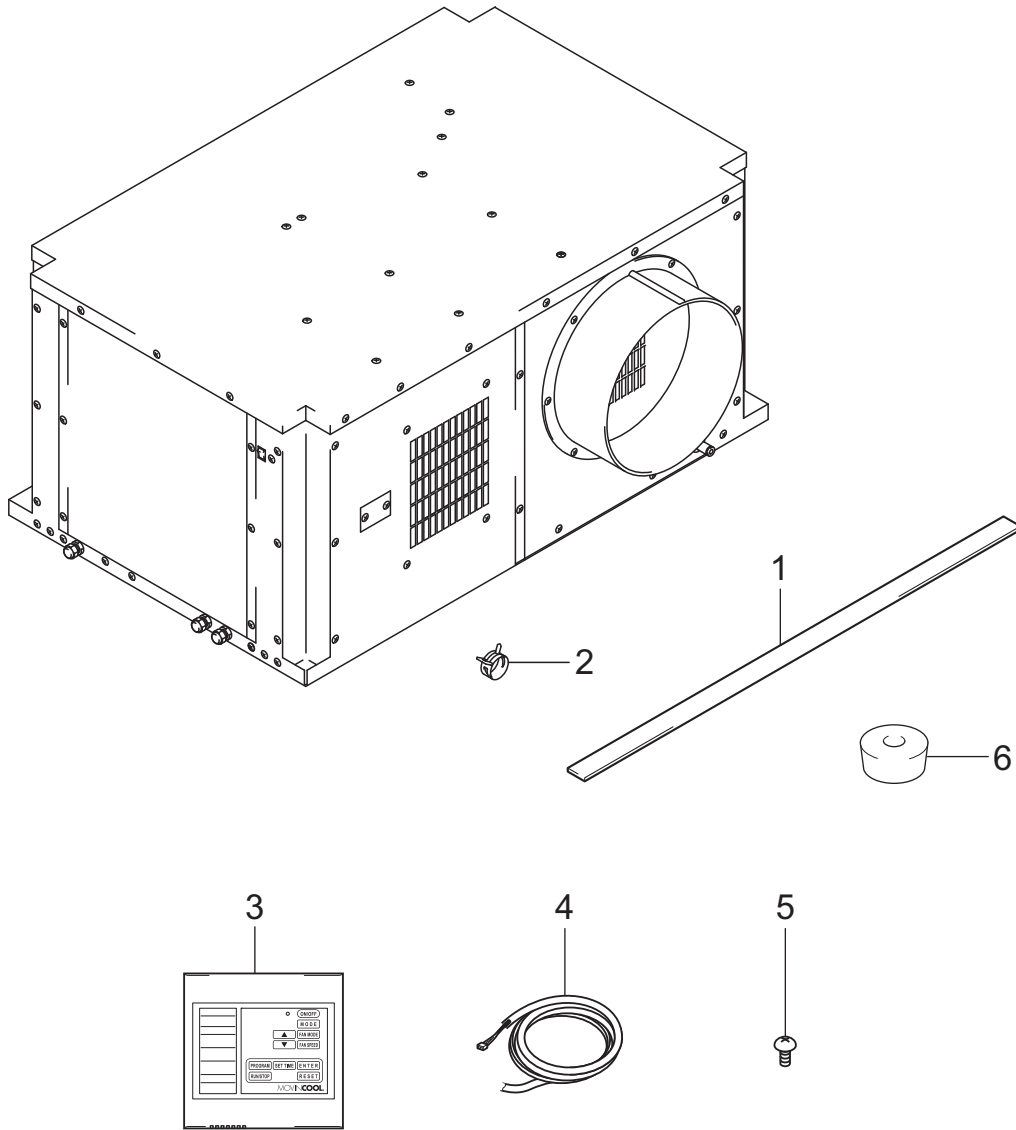
CM 25

Unit Part No: 484000-4210

Unit Serial Number Range:

1009XXXXC25 to Present
(From October 2009 to Present)

CM 25



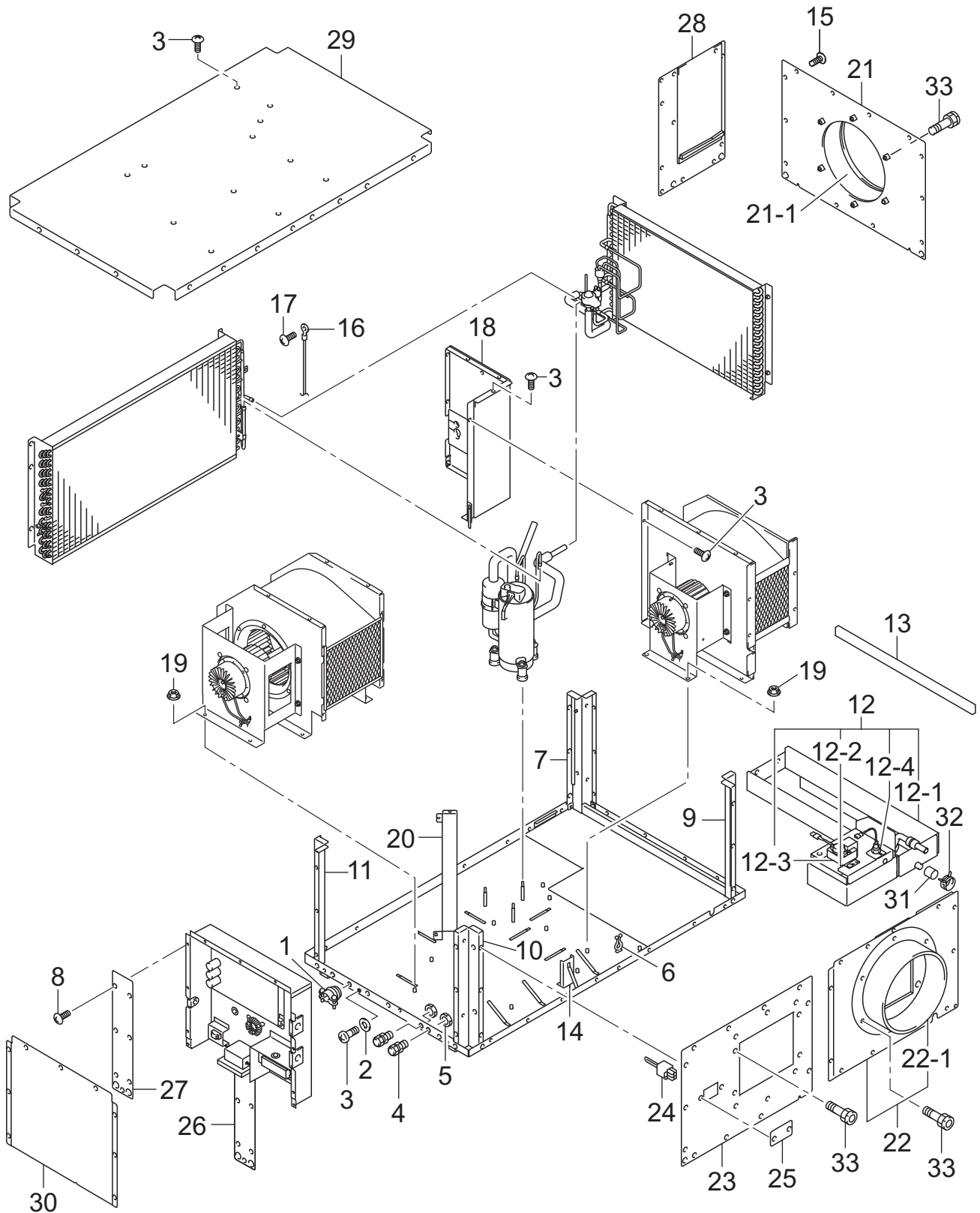
ILL. No.	DESCRIPTION	PART No.	QTY.	UNIT SERIAL No. RANGE*	REMARKS**
1	Insulator	481862-1900	1		For Cool Air Duct Flange
2	Clip	484917-0930	1		
3	Controller Assy	484500-3864	1		Wall Mounted Controller (WMC)
4	Wire Assy	481950-0990	1		For WMC
5	Bolt	480919-0850	4		D4, L=25
6	Cushion	484904-0450	4		Vibration Isolator

*: Please refer to page number 2 for the position of the nameplate showing the serial number on the unit.

"Unit Serial Number Range*" column indicates the first four digits of the unit serial number.

** : Please refer to the Reference Table on page number 17 for more information on the remarks.

CM 25



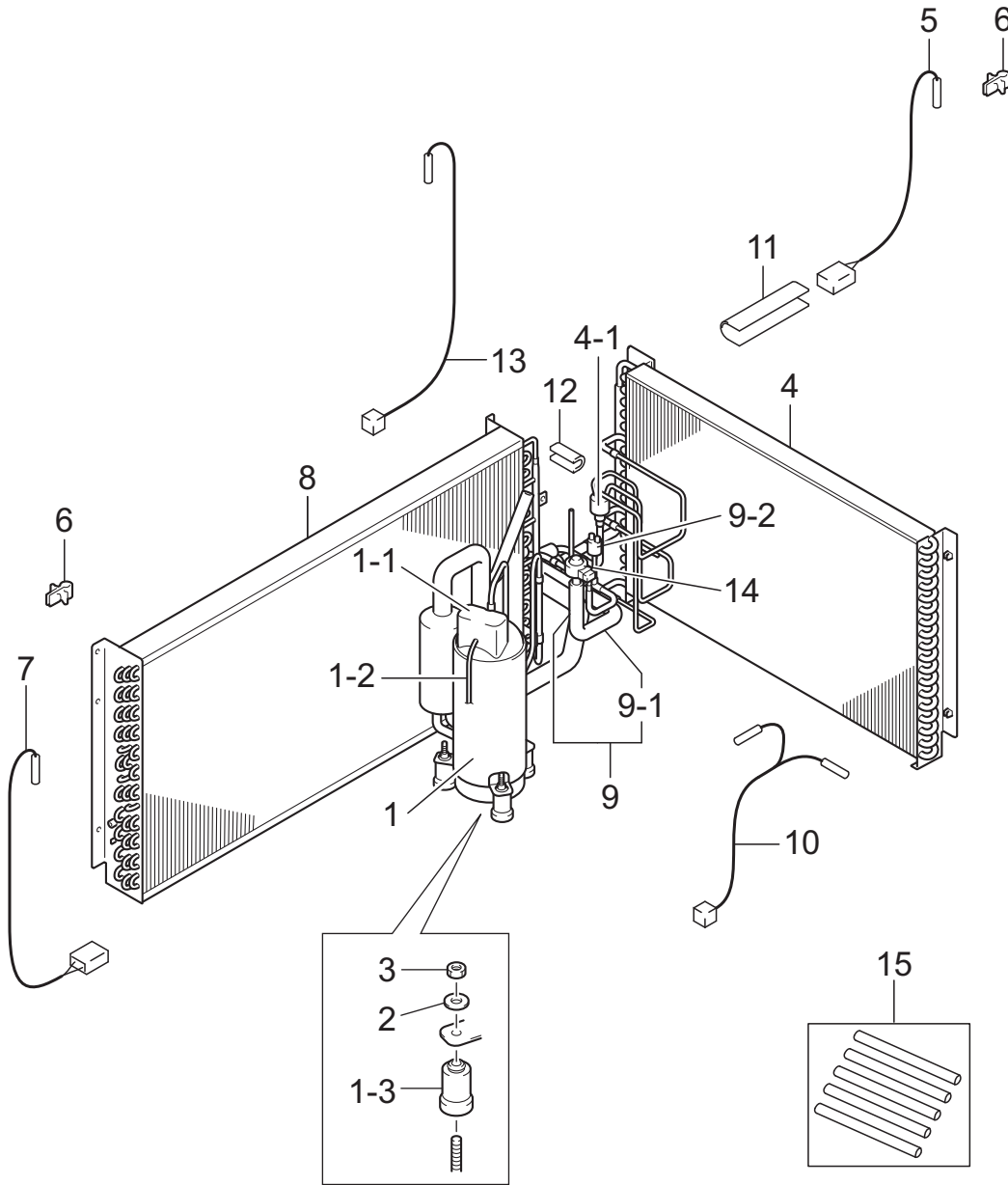
ILL. No.	DESCRIPTION	PART No.	QTY.	UNIT SERIAL No. RANGE*	REMARKS**
1	Connector	479748-0020	1		For Power Cord
2	Washer, Plate	90201-06400	1		For Ground
3	Screw	90051-06120	1		Ground, M6×1, L=12
4	Grommet	484926-0450	2		For Signal/WMC Wire
5	Nut, Holder	484919-0070	2		For Signal/WMC Wire
6	Clip	482852-0890	1		w/Pin
7	Stay Assy, Right Rear	484330-0660	1		
8	Screw	949006-5850	110		M4×0.7,L=10
9	Stay Assy, Right Front	484330-0670	1		
10	Stay Assy, Left	481821-1401	1		
11	Stay Assy, Left Rear	481821-1420	1		
12	Pan Assy	484430-0730	1		w/ILL.No.12-1~12-2
12-1	Drain Pan	484440-0200	1		Drain Pan Only
12-2	Pump Assy	484780-0250	1		w/ILL.No.12-3~12-4
12-3	Pump	484780-0240	1		
12-4	Float Switch	483651-0080	1		
13	Insulator	481862-1600	1		For ILL.No.12-1
14	Stay Assy, Front	484330-0680	1		
15	Screw, Tapping	949001-1570	4		D4,L=10
16	Wire Assy	481950-0971	1		For Ground
17	Screw	91051-04100	1		M4×0.7,L=10
18	Frame Assy	484300-3220	1		
19	Nut	949056-3700	14		M5×0.8
20	Stay	481821-1480	1		
21	Panel Assy, Right	484410-9390	1		w/ILL.No.21-1
21-1	Duct Sub-Assy	484360-0830	1		
22	Panel Assy, Front Right	484410-9400	1		w/ILL.No.22-1
22-1	Duct Sub-Assy	484360-0840	1		
23	Panel Sub-Assy, Front Left	484470-4760	1		
24	Jumper Connector	484930-9931	1		
25	Cover Plate	484411-6270	1		
26	Panel Assy, Left Front	484410-9430	1		
27	Panel Assy, Left Rear	484411-6280	1		
28	Panel Assy, Right Rear	484410-9410	1		
29	Panel Assy, Top	484410-9420	1		
30	Panel Assy, Service	484410-9440	1		
31	Cap	484922-0200	1		
32	Clip, Hose	949351-0800	1		
33	Bolt w/Washer	91570-05101	18		M5×0.8, L=10

*: Please refer to page number 2 for the position of the nameplate showing the serial number on the unit.

"Unit Serial Number Range*" column indicates the first four digits of the unit serial number.

** : Please refer to the Reference Table on page number 17 for more information on the remarks.

CM 25



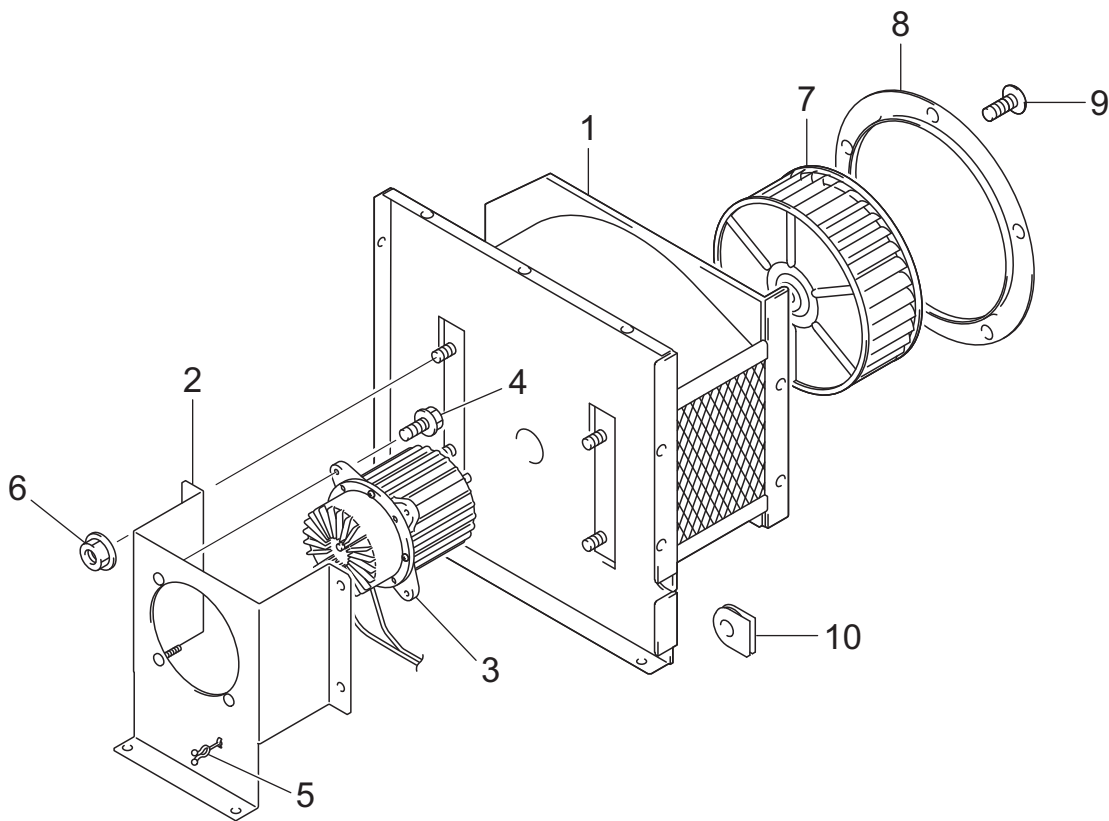
ILL. No.	DESCRIPTION	PART No.	QTY.	UNIT SERIAL No. RANGE*	REMARKS**
1	Compressor Assy	484650-3060	1		w/Pipe for Discharge & Suction w/ILL.No.1-1~1-3
1-1	Overload Relay	484501-0460	1		Inside Compressor Cover
1-2	Wire Assy	481950-0961	1		For Compressor
1-3	Cushion	484904-0430	3		
2	Washer, Steel Plate	949011-5330	3		
3	Nut	90190-08651	3		M8×1.25
4	Core Assy, Evaporator	484600-2600	1		w/ILL.No.4-1
4-1	Distributor Assy	484620-0150	1		
5	Thermistor	484532-0182	1		Evaporator Air Inlet (RTS2)
6	Clip	482852-0930	2		
7	Thermistor	484532-0191	1		Outdoor Air (ODS)
8	Core Assy, Condenser	484600-2610	1		
9	Pipe Assy	484800-4950	1		w/ILL.No.9-1~9-2
9-1	Pipe Assy, Connecting	484800-4960	1		
9-2	High Pressure Switch Assy	484660-2500	1		
10	Thermistor	484532-0211	1		Evaporator Pipe Inlet (CTS2) & Outlet (CTS3)
11	Insulator	480949-7931	1		For Evaporator Pipe Outlet Thermistor (CTS3)
12	Insulator	484901-2140	1		For Evaporator Pipe Inlet Thermistor (CTS2)
13	Thermistor	484532-0201	1		Condenser (CTS1)
14	Expansion Coil	484500-3830	1		
15	Pipe Assy, Charging	484800-0440	1		5 Pieces per Package

*: Please refer to page number 2 for the position of the nameplate showing the serial number on the unit.

"Unit Serial Number Range*" column indicates the first four digits of the unit serial number.

** : Please refer to the Reference Table on page number 17 for more information on the remarks.

CM 25



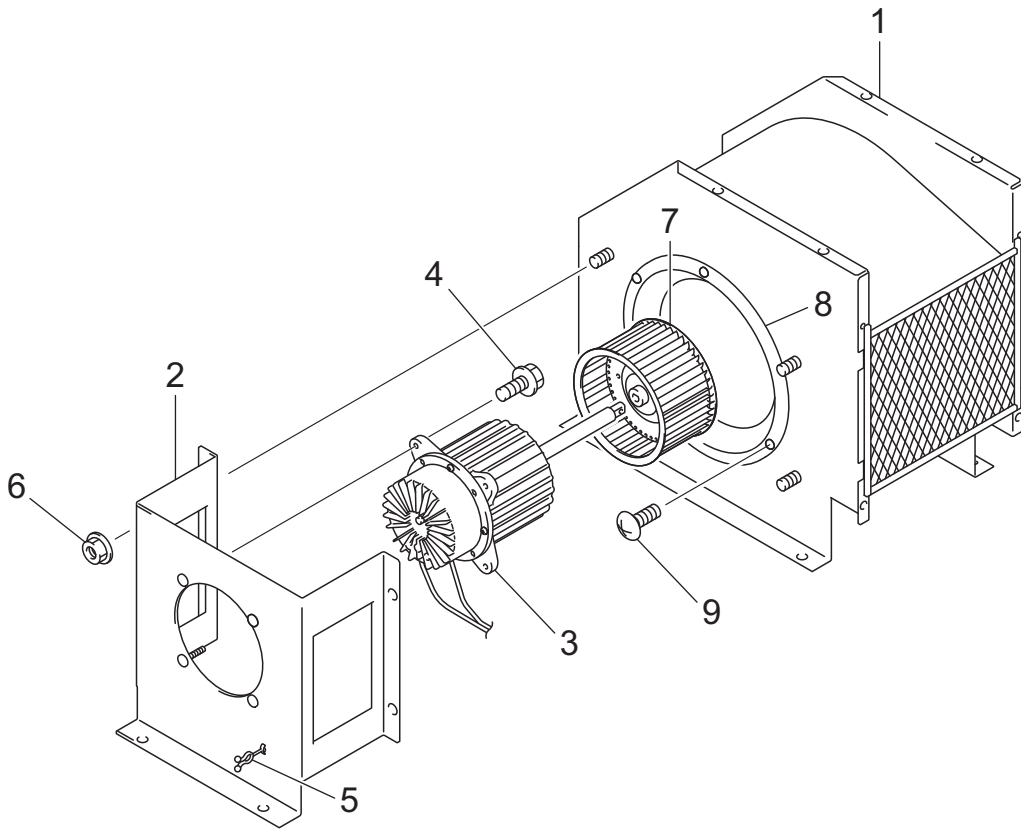
ILL. No.	DESCRIPTION	PART No.	QTY.	UNIT SERIAL No. RANGE*	REMARKS**
1	Casing, Evaporator Fan	484260-0500	1		
2	Frame Assy	484301-5580	1		
3	Motor, Evaporator	484211-1870	1		
4	Bolt w/Washer	91570-06201	4		M6×1, L=20
5	Clamp	473459-0160	1		D11.5, w/Pin
6	Nut	949056-1430	4		M6×1
7	Fan, Evaporator	484221-0610	1		
8	Ring Sub-Assy	484280-0120	1		
9	Screw, Tapping	949001-1570	6		D4, L=10
10	Grommet	484926-0290	1		For Pump Wire

*: Please refer to page number 2 for the position of the nameplate showing the serial number on the unit.

"Unit Serial Number Range*" column indicates the first four digits of the unit serial number.

** : Please refer to the Reference Table on page number 17 for more information on the remarks.

CM 25



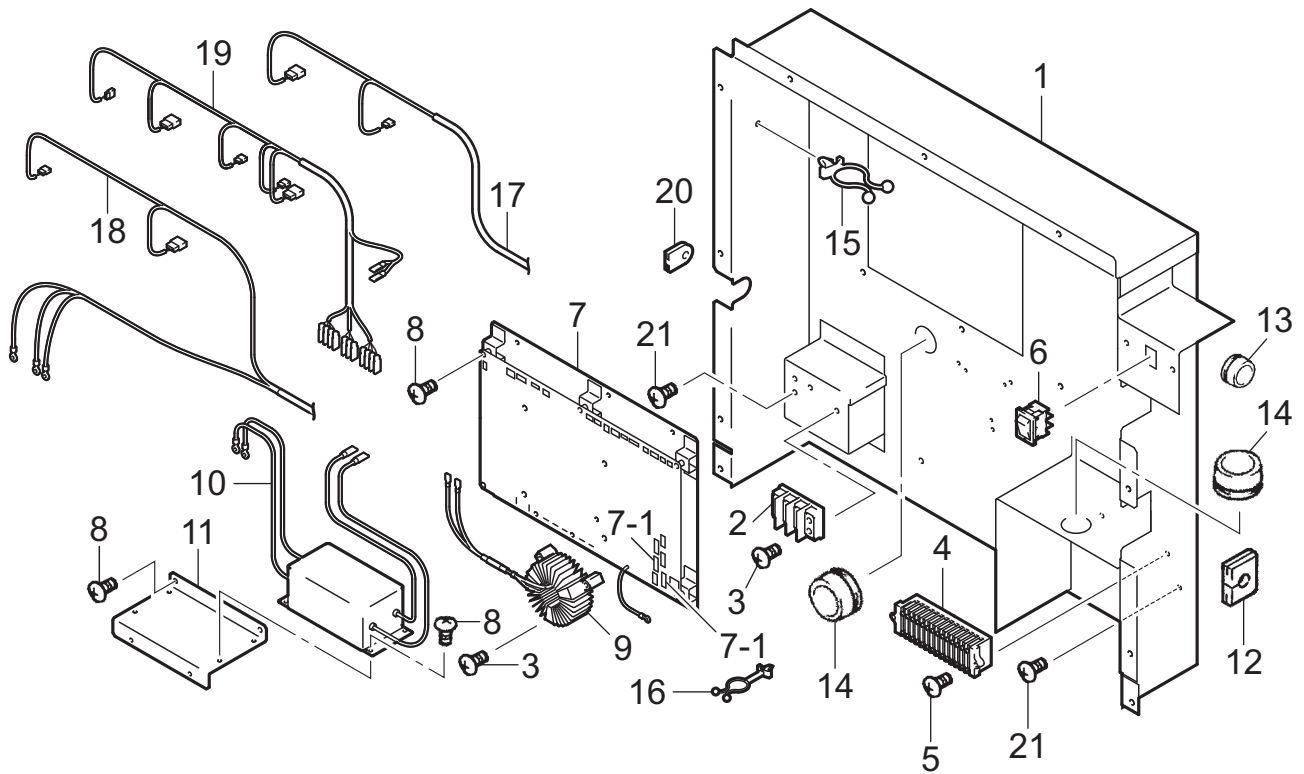
ILL. No.	DESCRIPTION	PART No.	QTY.	UNIT SERIAL No. RANGE*	REMARKS**
1	Casing, Condenser Fan	484260-0510	1		
2	Frame Assy	484301-5610	1		
3	Motor, Condenser	484211-1880	1		
4	Bolt w/Washer	91570-06201	4		M6×1, L=20
5	Clamp	473459-0160	1		D11.5, w/Pin
6	Nut	949056-1430	4		M6×1
7	Fan, Condenser	484221-0440	1		
8	Ring Sub-Assy	484381-0530	2		
9	Screw, Tapping	949001-1570	12		D4, L=10

*: Please refer to page number 2 for the position of the nameplate showing the serial number on the unit.

"Unit Serial Number Range*" column indicates the first four digits of the unit serial number.

** : Please refer to the Reference Table on page number 17 for more information on the remarks.

CM 25



ILL. No.	DESCRIPTION	PART No.	QTY.	UNIT SERIAL No. RANGE*	REMARKS**
1	Box Sub-Assy	484520-1211	1		
2	Terminal	484503-0970	1		For Power
3	Screw	949006-3280	5		M4×0.7, L=18
4	Terminal	484503-1310	1		For Signal
5	Screw	949006-6220	2		M3×0.5, L=12
6	Switch	484502-0550	1		Stop Switch
7	Relay Board	484500-3844	1		w/ILL.No.7-1
7-1	Fuse, Relay Board	481936-0210	1		3.15A, 250V 5 Pieces per Package
8	Screw	949006-5850	11		M4×0.7, L=10
9	Inductor Coil	484500-3850	1		450V, 20A
10	Noise Filter	484500-3880	1		250VAC, 20A
11	Stay	481821-1520	1		
12	Grommet	484926-0400	2		For Motor Wires
13	Grommet	949321-3000	1		D20, For Stop Switch Wire
14	Grommet	949321-3010	2		D26, For Compressor Wires
15	Clamp	473459-0050	1		D7, w/Pin
16	Clamp	473459-0160	1		D11.5, w/Pin
17	Wire Assy	481950-0920	1		(RB)↔(EXV)
18	Wire Assy	481950-0930	1		(RB)↔(PUMP)
19	Wire Assy	481950-0940	1		(RB)↔(TB2)
20	Grommet	484926-0290	1		For Outdoor Thermistor (ODS) Wire
21	Screw	91051-04100	2		Ground, M4×0.7, L=10

*: Please refer to page number 2 for the position of the nameplate showing the serial number on the unit.

"Unit Serial Number Range*" column indicates the first four digits of the unit serial number.

** : Please refer to the Reference Table on page number 17 for more information on the remarks.

[Memo]

Reference Table:

CTS1	Condenser Thermistor	RB	Relay Board
CTS2	Evaporator Pipe Inlet Thermistor	RTS2	Evaporator Inlet Air Thermistor
CTS3	Evaporator Pipe Outlet Thermistor	TB2	Terminal Block 2
EXV	Electronic Expansion Valve	WMC	Wall Mounted Controller
ODS	Outdoor Thermistor (Condenser Inlet Air Thermistor)		

DENSO

DENSO PRODUCTS AND SERVICES AMERICAS, INC.

Long Beach, CA 90810
www.movincool.com

Fifth Issue: March 2016