

SPARE PARTS CATALOG

CLIMATE PRO 12



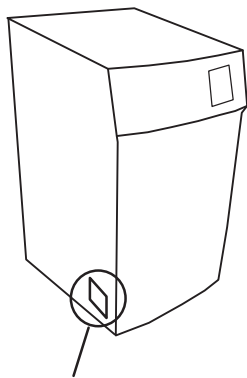
MOVINCOOL®
THE #1 SPOT COOLING SOLUTION

Table of Contents

No.	UNIT PART NUMBER	SERIAL NUMBER RANGE	REFRIGERANT	SECTION
1	GX484000-4500	0915XXXXH12 to Present (From September 2015 to Present)	R410A	Page 3 ~ 13 SP0083-01

SERIAL NUMBER LOCATION AND IDENTIFICATION

Nameplate Label



Nameplate Label Position

COOLING AMPS. WITH PUMP	<input type="text"/>
COMPR. OUTPUT	<input type="text"/>
REFRIGERANT/TOTAL CHARGE	<input type="text"/>
DESIGN PRESSURE LO/HI	<input type="text"/>
PART NO./WEIGHT	<input type="text"/>
SERIAL NO.	▲▲ □□ XXXX ###

Month Year Model Sequential Number

© 2015 DENSO PRODUCTS AND SERVICES AMERICAS, INC.

All rights reserved. This book may not be reproduced or copied, in whole or in part, without the written permission of the publisher. DENSO PRODUCTS AND SERVICES AMERICAS, INC. reserves the right to make changes without prior notice. MovinCool®, Office Pro® and SpotCool® are registered trademarks of DENSO Corporation.

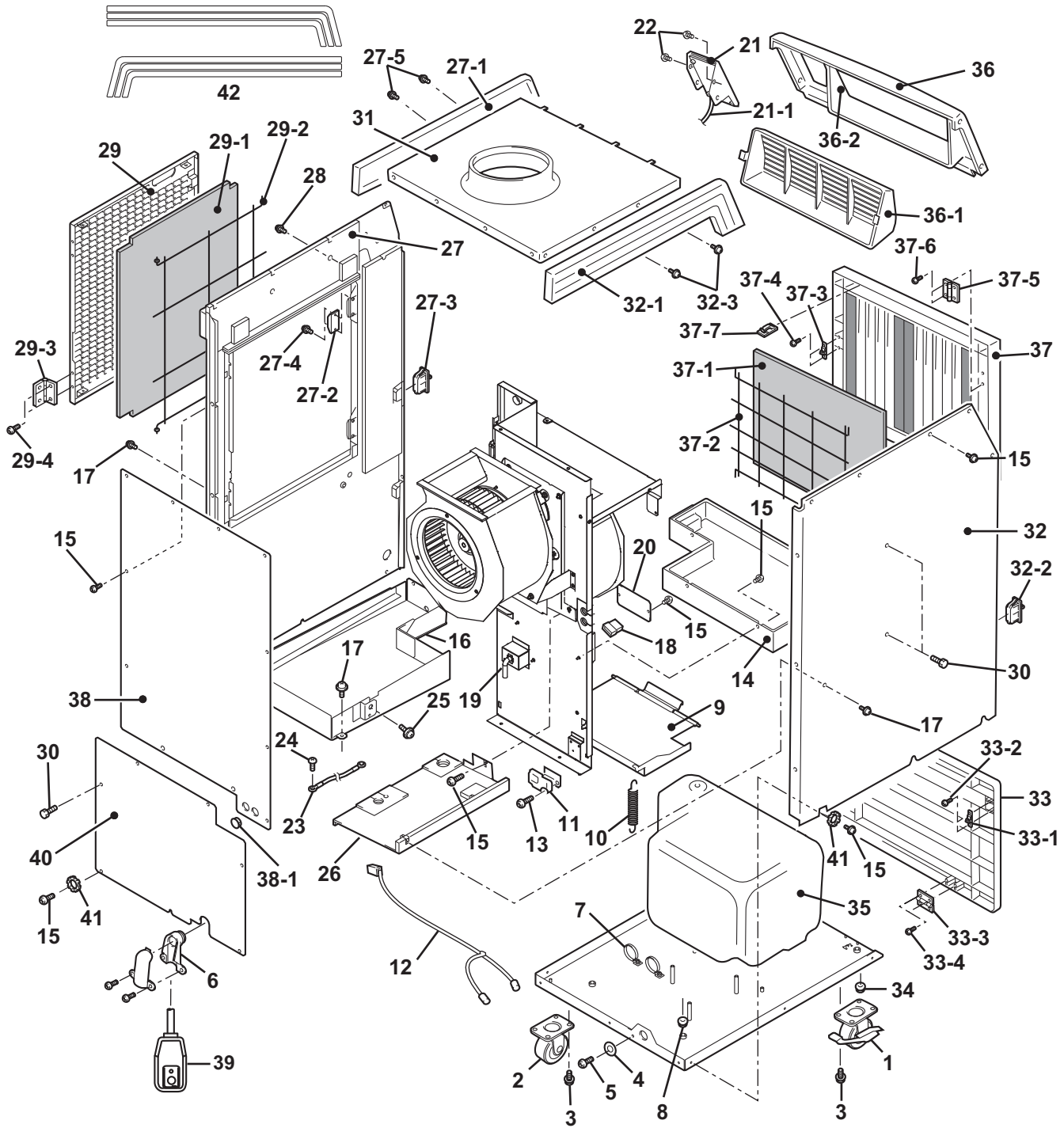
CLIMATE PRO 12

Unit Part No: GX484000-4500

Unit Serial Number Range:

0915XXXXH12 to Present
(From September 2015 to Present)

CLIMATE PRO 12



CLIMATE PRO 12

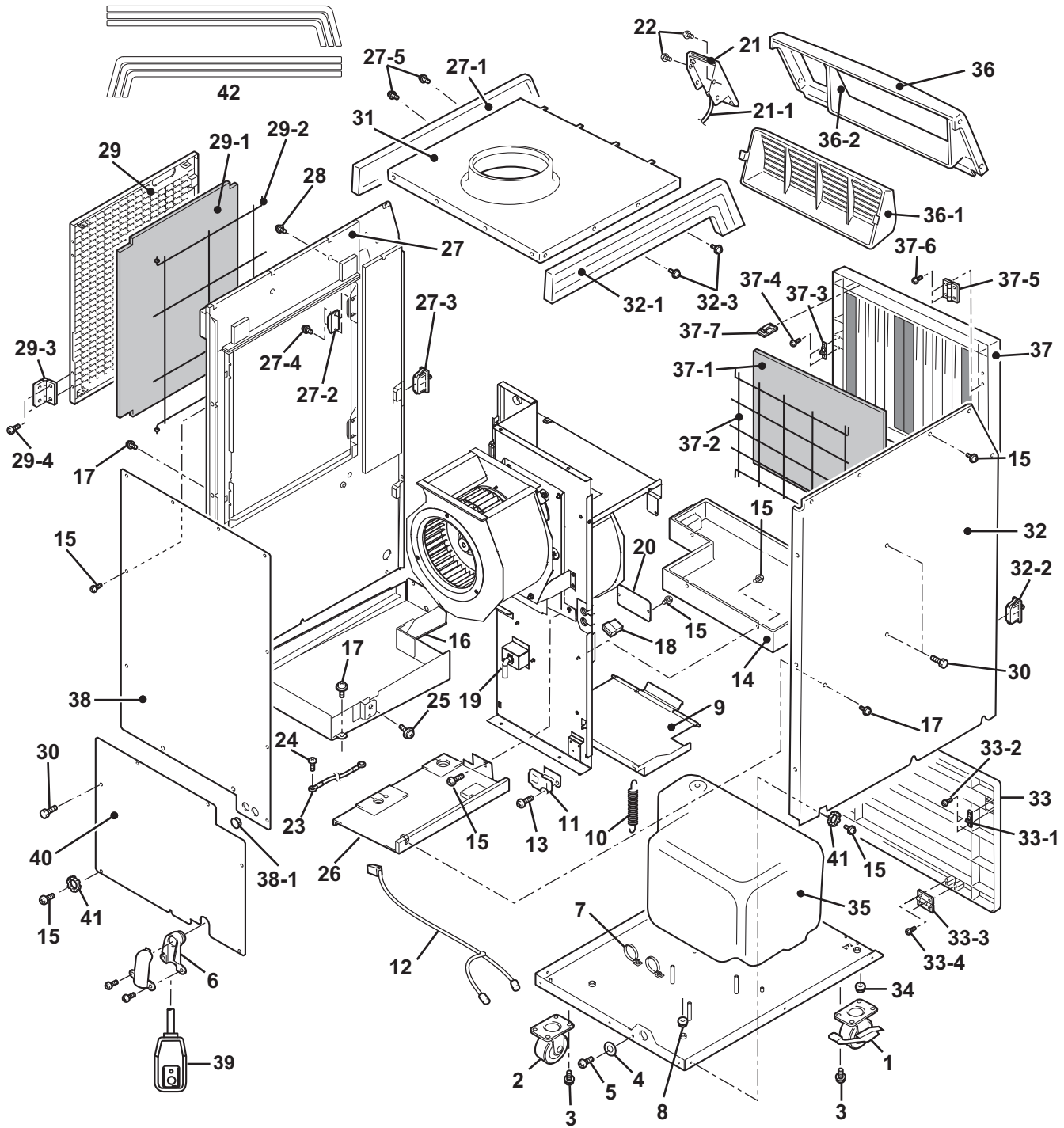
ILL. NO.	DESCRIPTION	PART NO.	QTY.	UNIT SERIAL NO. RANGE*	REMARKS**
1	Caster w/Brake	LA484702-0330	2		
2	Caster w/No Brake	LA484702-0340	2		
3	Bolt w/Washer	91510-08141	8		M8×1.25, L=14
4	Washer, Plate	90201-06400	1		For Ground Screw
5	Ground Screw	90051-06120	1		M6×1, L=12
6	Clamp	LA484506-0090	1		For LCDI Power Cord, w/Screws
7	Clamp	465574-0170	2		
8	Nut	949056-1501	3		M4×0.7
9	Frame Sub-Assy	LA484310-3600	1		For Drain Tank
10	Spring, Tension Coil	484917-0680	2		For Drain Tank
11	Drain Tank Switch	LA484502-0380	1		(DS)
12	Wire Assy	481950-2270	1		For Drain Tank Switch
13	Screw w/Washer	91310-03161	2		M3×0.5, L=16
14	Drain Pan Assy, Indoor	LA484430-0120	1		
15	Screw	GX949006-5850	50		M4×0.7, L=10
16	Drain Pan Assy, Outdoor	GX484430-0860	1		w/Heater
17	Screw, Tapping	482801-2920	6		D=4, L=12 for Plastic Bush
18	Jumper Plug	LA484930-8160	1		For Optional Condensate Pump
19	Wire Assy	481950-2260	1		For Optional Condensate Pump
20	Plate	LA484311-2880	1		Cover for Condensate Pump Wire
21	Switch Assy	GX484560-2460	1		Operation Panel & PCB w/ILL.No.21-1
21-1	Wire Assy	GX481950-2300	1		(RB)↔(CB), Main Wire Harness
22	Screw	GX949006-5850	4		M4×0.7, L=10
23	Wire Assy, Ground	481950-2280	1		L=1100
24	Screw, Ground	91051-04100	2		M4×0.7, L=10
25	Screw w/Washer	91370-06121	1		M6×1, L=12
26	Stay Sub-Assy	GX484340-3740	1		Divider Panel for Outdoor Heat Exchanger
27	Panel Assy, Right	GX484470-5140	1		w/ILL.No.27-1~27-5
27-1	Right Handle	LA484450-0051	1		
27-2	Holder	484927-0990	2		Magnet Type
27-3	Catch	LA481922-0030	2		Door Hook
27-4	Screw	949006-4440	4		M3×0.5, L=8
27-5	Screw, Tapping	949001-3530	6		D=4, L=10
28	Bolt w/Washer	91370-06141	4		For Panel Assy Right, M6×1, L=14

*: Please refer to page number 2 for the position of the nameplate showing the serial number on the unit.

"Unit Serial Number Range*" column indicates the first four digits of the unit serial number.

** : Please refer to the Reference Table on page number 15 for more information on the remarks.

CLIMATE PRO 12



CLIMATE PRO 12

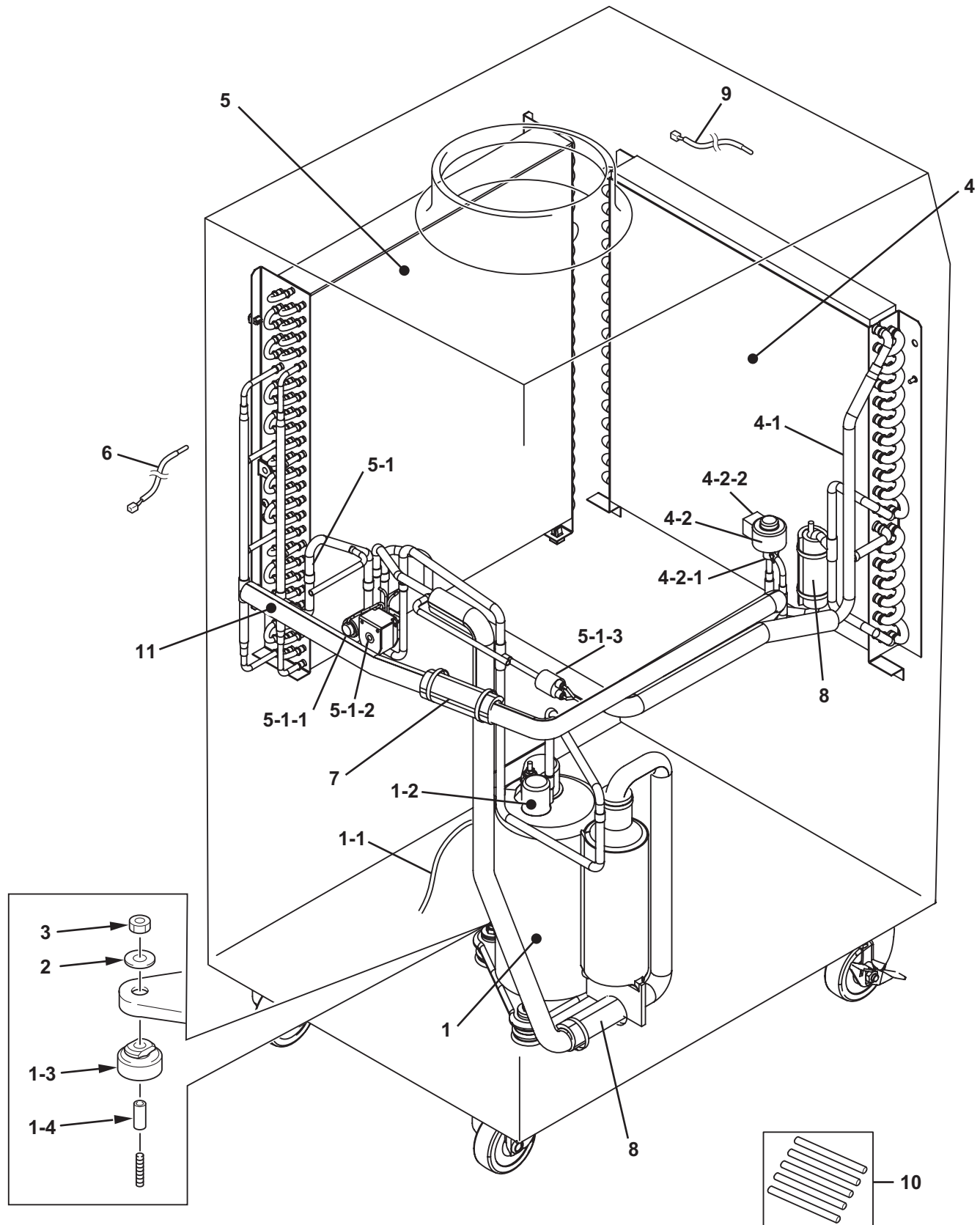
ILL. NO.	DESCRIPTION	PART NO.	QTY.	UNIT SERIAL NO. RANGE*	REMARKS**
29	Panel Sub-Assy, Right	GX484470-5160	1		w/ILL.29-1~29-4
29-1	Filter, Outdoor	GX484401-2090	1		
29-2	Wire Frame	GX484310-6670	1		
29-3	Hinge	GX484912-0180	2		
29-4	Screw	949006-3300	4		For Hinge, M3×0.5, L=6
30	Bolt	480919-0370	16		M4×0.7, L=10
31	Panel Assy, Top	GX484490-0710	1		
32	Panel Assy, Left	GX484490-0720	1		w/ILL.No.32-1~32-3
32-1	Left Handle	LA484450-0061	1		
32-2	Catch	LA481922-0030	1		
32-3	Screw, Tapping	949001-3530	6		D=4, L=10
33	Panel Assy, Drain Tank Door	LA484410-5031	1		w/ILL.No.33-1~33-4
33-1	Door Hook	LA484927-1010	2		
33-2	Screw, Tapping	LA949001-1730	4		For Door Hook, D=4, L=16
33-3	Hinge	GX484912-0180	2		
33-4	Screw	949006-3300	4		For Hinge, M3×0.5, L=6
34	Nut	91160-03241	4		M3×0.5
35	Drain Tank	484731-0220	1		
36	Panel Assy, Upper Front	GX484490-0750	1		w/ILL.No.36-1~36-2
36-1	Louver, Air Outlet	LA480431-0091	1		
36-2	Pin	LA484913-0070	3		
37	Panel Assy, Lower Front	LAY84410-0021	1		w/ILL.No.37-1~37-7
37-1	Filter, Indoor	LA484401-1160	1		
37-2	Wire Frame	LAY84310-0020	1		
37-3	Door Hook	LA484927-1010	1		
37-4	Screw, Tapping	LA949001-1730	2		For Door Hook, D=4, L=16
37-5	Hinge	GX484912-0180	2		
37-6	Screw	949006-3300	4		For Hinge, M3×0.5, L=6
37-7	Clip	LAY84917-0051	2		For Wire Frame
38	Panel Assy, Rear	GX484490-0730	1		w/ILL.No.38-1
38-1	Grommet	GX484926-0700	2		D=19.1, For Signal Device/ External Thermostat Wire
39	Wire Assy, LCDI Power Cord	LA481950-1440	1		
40	Service Panel	GX484490-0740	1		
41	Washer, Toothed	949016-0230	9		For Service Panel
42	Stripe Kit Assy	LA484003-1110	1		Sticker for Left & Right Handles

*: Please refer to page number 2 for the position of the nameplate showing the serial number on the unit.

"Unit Serial Number Range*" column indicates the first four digits of the unit serial number.

** : Please refer to the Reference Table on page number 15 for more information on the remarks.

CLIMATE PRO 12



CLIMATE PRO 12

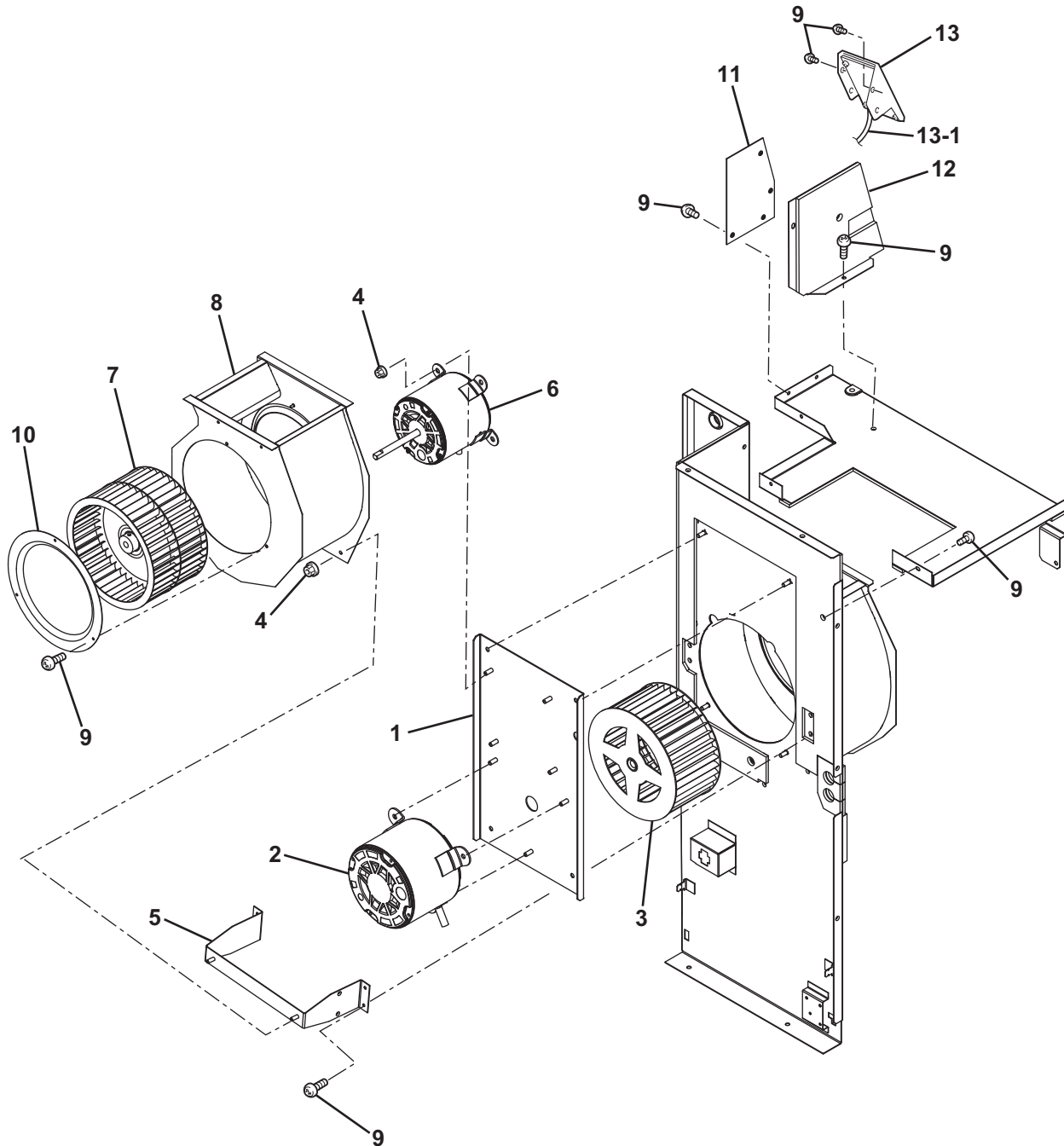
ILL. NO.	DESCRIPTION	PART NO.	QTY.	UNIT SERIAL NO. RANGE*	REMARKS**
1	Compressor Assy	GX484650-3410	1		w/Pipe for Discharge & Suction w/ILL.No.1-1~1-4
1-1	Wire Assy	481950-2200	1		For Compressor
1-2	Overload Relay	GX484501-0420	1		
1-3	Cushion	GX484904-0380	3		
1-4	Collar	GX484915-0410	3		
2	Washer, Steel Plate	949011-5330	3		
3	Nut	90190-08651	3		M8×1.25
4	Indoor Heat Exchanger Assy	GX484600-2970	1		w/ILL.No.4-1~4-2
4-1	Pipe Assy	GX484800-5930	1		
4-2	Expansion Valve Assy	GX484800-5940	1		w/ILL.No.4-2-1
4-2-1	Expansion Valve	484602-0110	1		
4-2-2	Controller Assy	484500-4750	1		
5	Outdoor Heat Exchanger Assy	GX484600-2980	1		w/ILL.No.5-1
5-1	Pipe Assy	GX484800-5970	1		w/ILL.No.5-1-1, 5-1-3
5-1-1	4 Way Valve	GX484782-0290	1		
5-1-2	Controller Assy	GX484500-4510	1		For 4 Way Valve
5-1-3	High Pressure Switch	GX484660-0660	1		(HPRS)
6	Thermistor Assy	GX482780-1960	1		ODS
7	Thermistor Assy	482780-1540	1		CTS3
8	Thermistor Assy	482780-0960	1		CTS1, CTS2
9	Thermistor Assy	482780-1550	1		RTS
10	Pipe Assy, Charging	484800-0440	1		5 Pieces Per Package
11	Pipe Assy	GX484800-5980	1		

*: Please refer to page number 2 for the position of the nameplate showing the serial number on the unit.

"Unit Serial Number Range*" column indicates the first four digits of the unit serial number.

** : Please refer to the Reference Table on page number 15 for more information on the remarks.

CLIMATE PRO 12



CLIMATE PRO 12

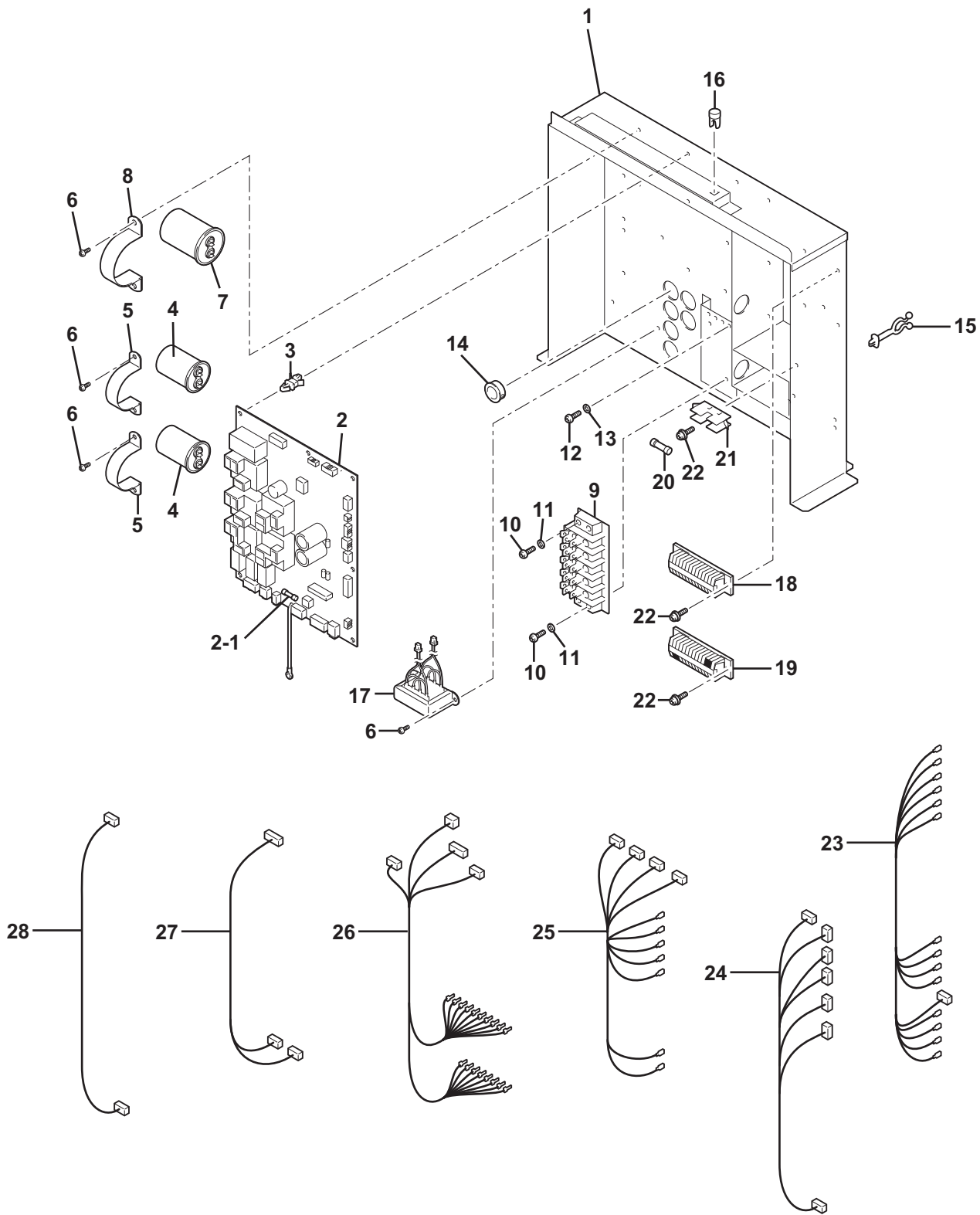
ILL. NO.	DESCRIPTION	PART NO.	QTY.	UNIT SERIAL NO. RANGE*	REMARKS**
1	Stay Sub-Assy, Indoor Fan Motor	GX484340-3720	1		Mounting Plate
2	Motor, Indoor Fan	GX484211-2270	1		
3	Fan, Indoor	LA484221-0360	1		w/Set Screw
4	Nut	GX949056-1430	13		M6×1
5	Stay Sub-Assy, Outdoor Fan Casing	GX484340-3730	1		Mounting Plate
6	Motor, Outdoor Fan	GX484211-2280	1		
7	Fan, Outdoor	GX484221-0800	1		w/Set Screw
8	Casing Sub-Assy, Outdoor Fan	GX480420-0130	1		
9	Screw	GX949006-5850	16		M4×0.7, L=10
10	Ring, Outdoor Inlet	GX484381-0920	1		
11	Stay, Control Panel Right	LA484331-6670	1		
12	Stay, Control Panel Left	LA484331-6660	1		
13	Switch Assy	GX484560-2460	1		Operation Panel & PCB w/ILL.No.13-1
13-1	Wire Assy	GX481950-2300	1		(RB)↔(CB), Main Wire Harness

*: Please refer to page number 2 for the position of the nameplate showing the serial number on the unit.

"Unit Serial Number Range*" column indicates the first four digits of the unit serial number.

** : Please refer to the Reference Table on page number 15 for more information on the remarks.

CLIMATE PRO 12



CLIMATE PRO 12

ILL. NO.	DESCRIPTION	PART NO.	QTY.	UNIT SERIAL NO. RANGE*	REMARKS**
1	Service Box	GX484520-1440	1		
2	Relay Board	GX484500-4720	1		(RB), w/ILL.No.2-1
2-1	Fuse, Relay Board	GX481936-0250	1		1A, 250V, D=5.2, L=20
3	Support	482125-3170	9		
4	Capacitor, Fan Motor	GX484507-1780	2		(CF1, CF2), 370VAC, 7.5μF
5	Holder, Fan Motor Capacitor	LA484927-0880	2		
6	Screw	949006-3250	8		M4×0.7, L=10
7	Capacitor, Compressor Motor	GX484507-1770	1		(CC), 370VAC, 60μF
8	Holder, Compressor Motor Capacitor	LA484927-1020	1		
9	Terminal Block	GX484503-1360	1		(TB1), For Power
10	Screw	949006-3280	2		M4×0.7, L=18
11	Washer, Plate	90200-04331	2		
12	Screw	91051-04100	4		For Ground, M4×0.7, L=10
13	Washer, Plate	90201-04300	4		For Ground
14	Grommet	LA484926-0490	8		D=19.7
15	Clip	482852-0680	5		For Wires
16	Grommet	482833-0660	1		For Fixing Outdoor Drain Pan
17	Transformer	GX480819-0170	1		Primary: 115VAC, 40VA Secondary: 20VAC
18	Terminal Block	484503-1370	1		(TB2), For Input/Output Signal
19	Terminal Block	484503-1380	1		(TB3), For External Thermostat w/Jumper Plugs
20	Fuse	GX481936-0240	1		1.5A, 250V, D=5.2, L=20
21	Fuse Holder	GX484927-1370	1		
22	Screw, w/Washer	91310-03161	5		M3×0.5, L=16
23	Wire Assy	481950-2210	1		(RB, CF1, CF2, CC)↔(TB1)
24	Wire Assy	481950-2220	1		(RTS, CTS1~CTS3, ODS)↔(RB)
25	Wire Assy	481950-2231	1		(TB1)↔(RB, Fuse Holder)
26	Wire Assy	481950-2240	1		(TB2, TB3)↔(RB)
27	Wire Assy	481950-2250	1		(DS, HPRS)↔(RB)
28	Wire Assy	GX481950-2300	1		(RB)↔(CB)

*: Please refer to page number 2 for the position of the nameplate showing the serial number on the unit.

"Unit Serial Number Range*" column indicates the first four digits of the unit serial number.

** : Please refer to the Reference Table on page number 15 for more information on the remarks.

[Memo]

Reference Table:

DS	Drain Switch	RTS	Room Thermistor (Indoor Air Inlet Thermistor)
RB	Relay Board	CF1	Capacitor for Indoor Fan Motor
CB	Control Board	CF2	Capacitor for Outdoor Fan Motor
HPRS	High Pressure Switch	CC	Capacitor for Compressor Motor
ODS	Outdoor Thermistor (Outdoor Air Inlet Thermistor)	TB1	Terminal Block
CTS1	Evaporator Pipe Thermistor (Indoor Pipe Thermistor)	TB2	Terminal Block
CTS2	Compressor Pipe Thermistor	TB3	Terminal Block
CTS3	Condenser Pipe Thermistor (Outdoor Pipe Thermistor)		

DENSO

DENSO PRODUCTS AND SERVICES AMERICAS, INC.

Long Beach, CA 90810
www.movincool.com

Second Issue: November 2015